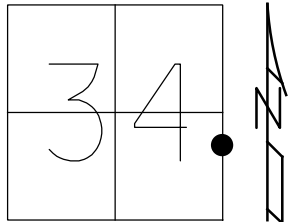


O.D.O.T. DISTRICT 2 SURVEY OFFICE (USE ONLY)

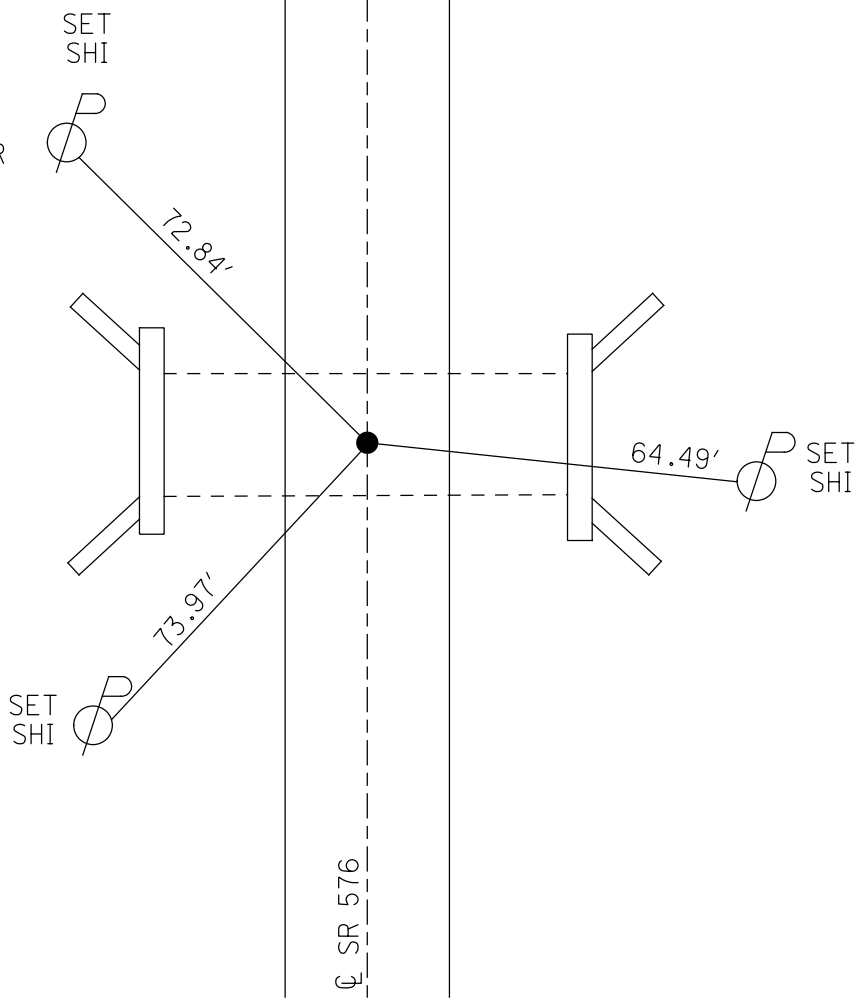
PERSONNEL _____ REFERENCE NO. 27 A SHEET 25 OF 33
 NOTES RHOADES DATE 9/6/16 ROUTE SR 576
 H.C. O'DONNELL WEATHER CLEAR COUNTY WILLIAMS
 R.C. RHOADES TEMP. 78° TOWNSHIP SUPERIOR
 DWG BY RHOADES PID CHIP SEAL SECTION 34
 T 8 N R 2 E

TYPE MONUMENT R.R.SPIKE
 ON SURFACE - ~~BELOW~~ ON _____
 OFFSET C PAVEMENT 1' ~~LT~~ : RT
11.3' TO LT EDGE PAVEMENT
 STATION: 681+45.17



HORZ.DATUM: NAD83 2011 GEOID: NAVD88 2018
 GRID: NORTHING: 713377.259 EASTING: 1390606.015

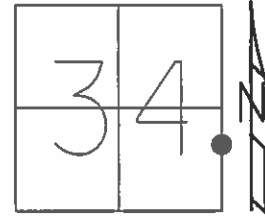
RECORD: P.I.
 STA.682+03.31
 $\Delta = 0^\circ 12' 23''$ RT
 SET SM.SPIKE
 9-4-86, IRS
 FD R.R.SPIKE
 REF65
 6-21-12, DCH
 SET MAG/WASHER
 NEWREF65
 7-10-12, DCH
 FD MAG/WASHER
 REFA27
 9/6/16, JFO
 FD MAG/WASHER
 REFA27
 7/5/22, TDN
 3/8/23, JMR



O.D.O.T. DISTRICT 2 SURVEY OFFICE (USE ONLY)

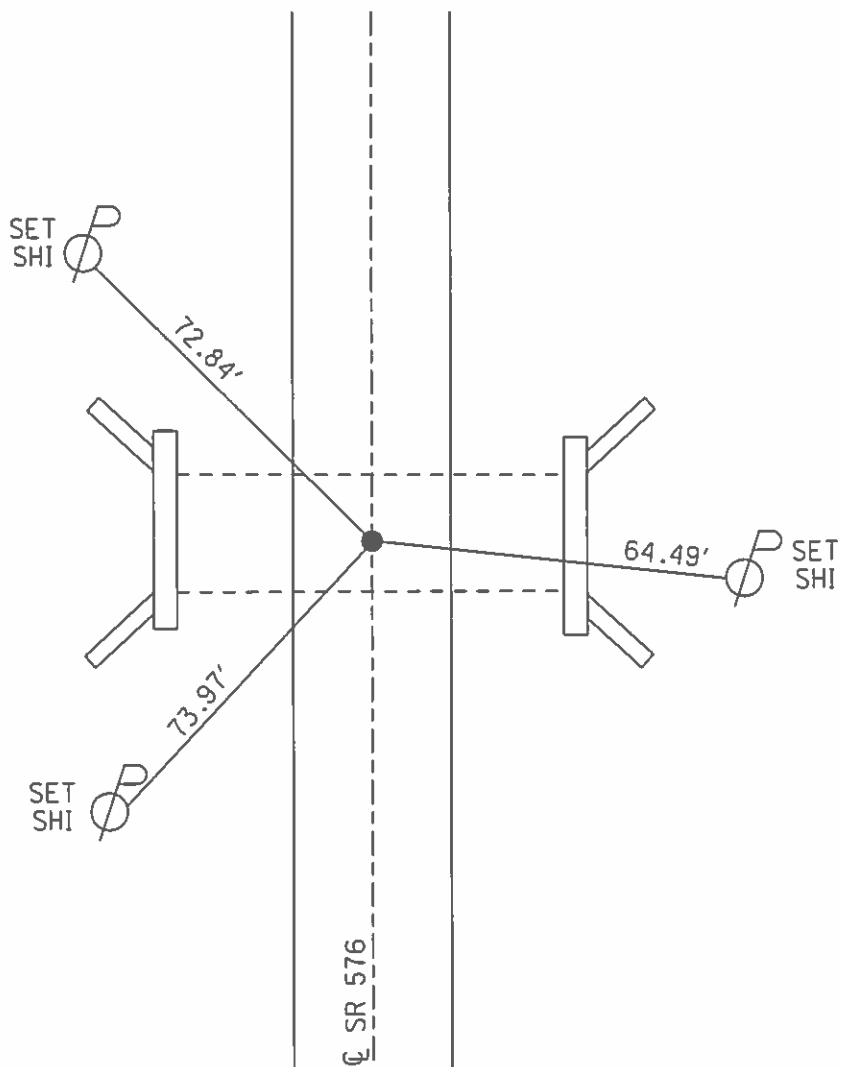
PERSONNEL _____ REFERENCE NO. 27 A SHEET 25 OF 32
 NOTES RHOADES DATE 9-6-16 ROUTE SR 576
 H.C. O'DONNELL WEATHER CLEAR COUNTY WILLIAMS
 R.C. RHOADES TEMP. 78°F TOWNSHIP SUPERIOR
 _____ SECTION 34
 _____ T 8 N R 2 E

TYPE MONUMENT RR SPIKE
 ON SURFACE - ~~BELOW~~ ON _____
 LEFT - ☉ PAV'T - ~~RIGHT~~ 1'
 - TO - EDGE PAVEMENT
 S.L.M. 682+03.31



Grid: Northing: 713377.2579 Easting: 1390606.0036

- SET SMALL SPK.
9-4-86, IRS
- FD RR SPK
REF65
6-21-12, DCH
- SET PK/WASHER
GPS, NEWREF65
7-10-12, DCH
- POINT OUT
4-22-16, JFO
- SET MAG/WASHER
W/COORDIANTES
(LOST ALL OLD TIES)
GPS, NEWREFA27
9-6-16, JFO

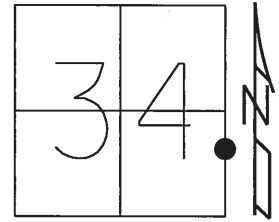


O.D.O.T. DISTRICT 2 SURVEY OFFICE (USE ONLY)

PERSONNEL _____ REFERENCE NO. 27 A SHEET 31 OF 38

NOTES HOMAN DATE 6-21-12 ROUTE SR 576
 H.C. ROUSOS WEATHER SUNNY COUNTY WILLIAMS
 R.C. HOMAN TEMP. 80° TOWNSHIP SUPERIOR
 _____ SECTION 34
 _____ T 8 N R 2 E

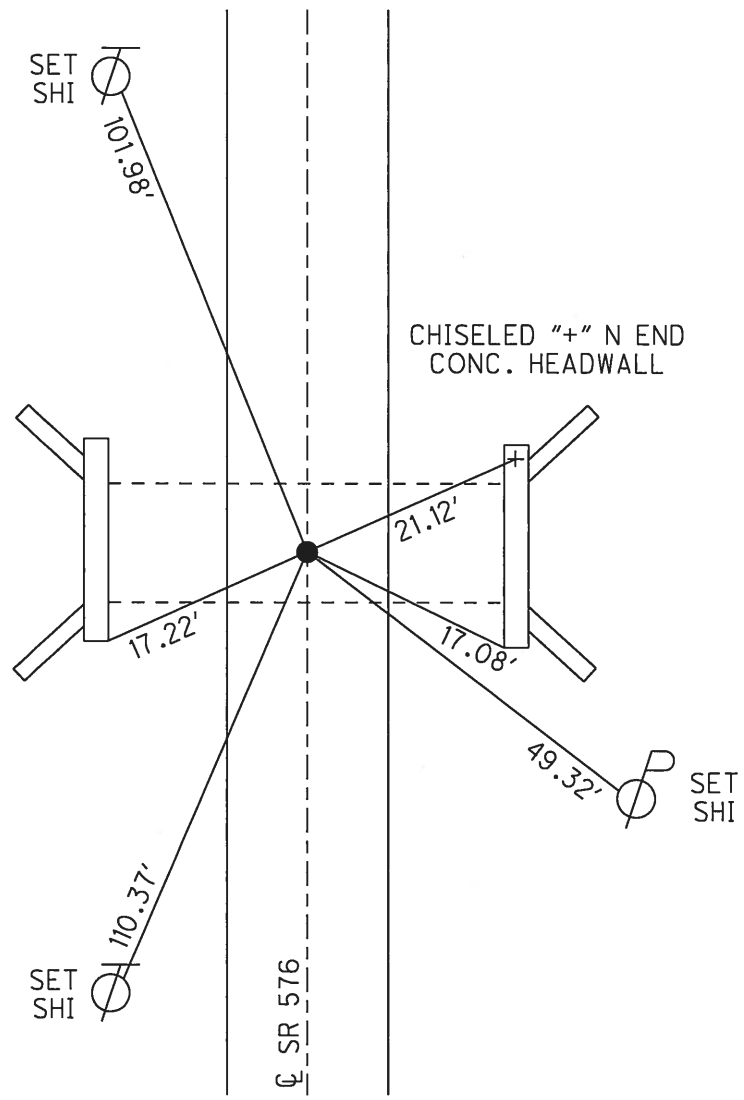
TYPE MONUMENT RR SPIKE
 ON SURFACE - ~~BELOW~~ ON _____
 LEFT - ☉ PAV'T - ~~RIGHT~~ _____
 _____ TO _____ EDGE PAVEMENT
 S.L.M. 681+45.17
 Grid: Northing: 713377.229 Easting: 1390606.018



SET SMALL SPK.
9-4-86, IRS

FD RR SPK
REF65
6-21-12, DCH

SET PK/WASHER
GPS, NEWREF65
7-10-12, DCH



O.D.O.T. DISTRICT 2 SURVEY OFFICE

PERSONNEL

REFERENCE NO. 27-A

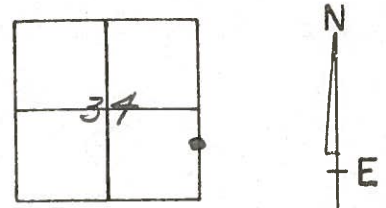
SHEET 5 OF

NOTES L. Stone
 H.C. D. Curtis
 R.C. R. Michalak
J. Hoeseholder

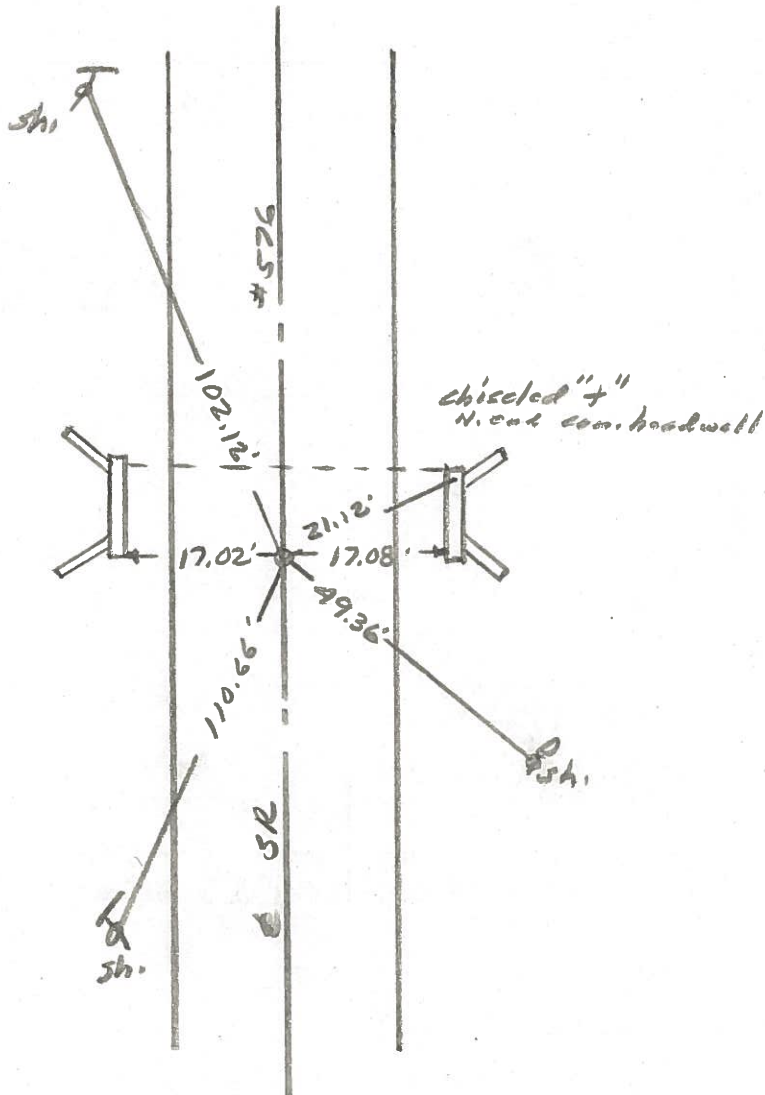
DATE 8 April 86
 WEATHER cool
 TEMP. 50°

ROUTE SR#576
 COUNTY Williams
 TOWNSHIP Superior
 SECTION 34
 T R

TYPE MONUMENT 3/4" I. pipe
 ON SURFACE - BELOW 4" deep
 LEFT - ☉ PAV'T. - RIGHT
 TO EDGE PAVEMENT
 S.L.M. 682+08



Set Small Spk. 9/4/86 IRS



PERSONNEL	TITLE	PERSONNEL	TITLE	COUNTY	DATE
Red Beach				Williams	July 1976
W. Knopa				S. R. 576	WEATHER
				SEC. 34/35 Superior T-B-N	TEMP.
DESCRIPTION <u>CONTROLS north of Montpelier</u>				JOB NO.	

