

O.D.O.T. DISTRICT 2 SURVEY OFFICE (USE ONLY)

PERSONNEL

REFERENCE NO. 28 A

SHEET 29 OF 33

NOTES HOMAN

DATE 6/19/12

ROUTE SR 576

H.C. ROUSOS

WEATHER SUNNY

COUNTY WILLIAMS

R.C. HOMAN

TEMP. 90°

TOWNSHIP BRIDGEWATER

DWG BY RHOADES

PID CHIP SEAL

SECTION 1

T 10 S R 3 W

TYPE MONUMENT P.K.NAIL

~~ON SURFACE~~ - BELOW 1"

OFFSET CL PAVEMENT ON LT : RT

11.1' TO LT EDGE PAVEMENT

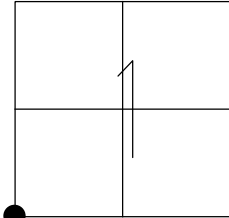
STATION: 741+42.28

HORIZ.DATUM: NAD83 2011

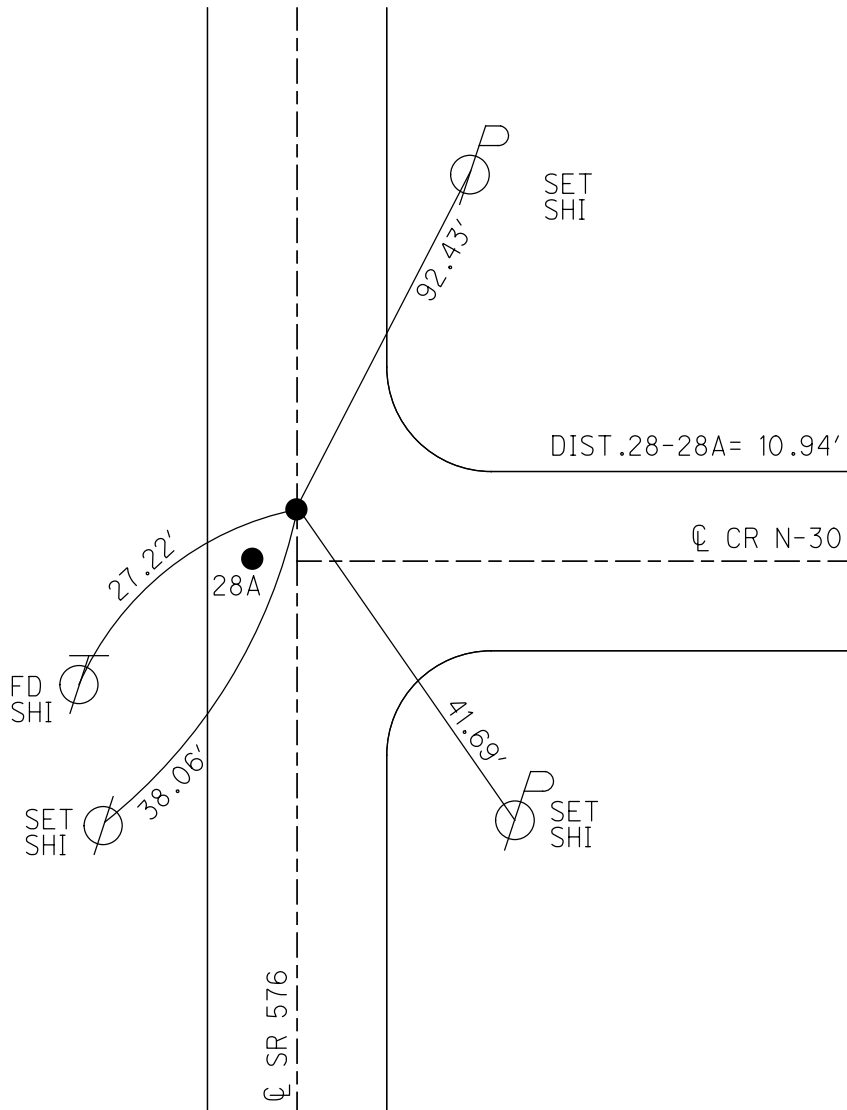
GEOID: NAVD88 2018

GRID: NORTHING: 719302.703

EASTING: 1391201.050



RECORD:
 FD P.K.NAIL
 4/8/86, IRS
 SET P.K.NAIL
 9-4-86, IRS
 FD P.K.NAIL
 1" DOWN
 REF67
 SET P.K./WASHER
 NEWREF67
 7-23-12, DCH
 FD P.K./WASHER
 REF28
 7/5/22, TDN
 3/8/23, JMR



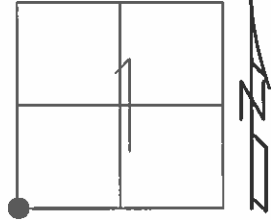
O.D.O.T. DISTRICT 2 SURVEY OFFICE (USE ONLY)

PERSONNEL _____ REFERENCE NO. 28 A SHEET 28 OF 32

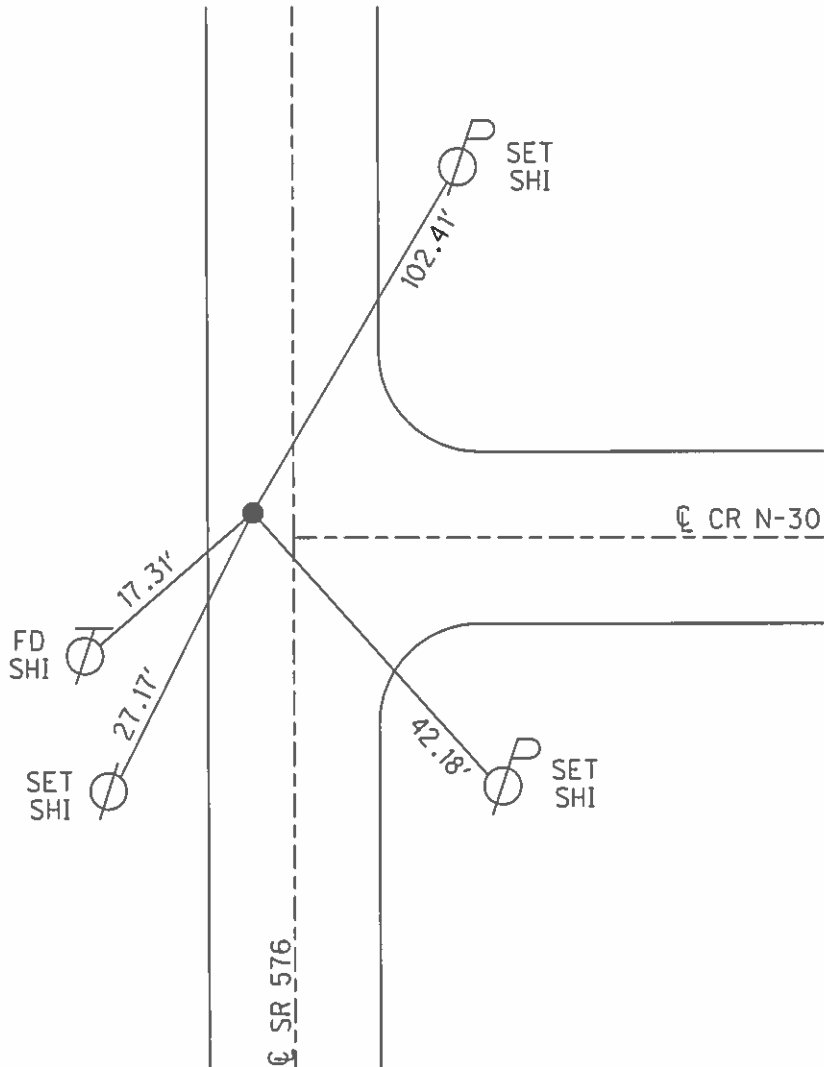
NOTES HOMAN DATE 6-19-12 ROUTE SR 576
 H.C. ROUSOS WEATHER SUNNY COUNTY WILLIAMS
 R.C. HOMAN TEMP. 90° TOWNSHIP BRIDGEWATER
 _____ SECTION 1
 T 10 S R 3 W

TYPE MONUMENT PK NAIL
 ON SURFACE - ~~BELOW~~ ON _____
 LEFT - Q PAV'T - ~~RIGHT~~ 7'
 _____ TO _____ EDGE PAVEMENT
 S.L.M. 741+53

Grid: Northing: 719294.709 Easting: 1391193.531



SET PK NAIL
 9-4-86, IRS
 FD PK
 REF68
 SET PK/WASHER
 GPS, NEWREF68
 7-23-12, DCH
 10.95' TO REF 28



O.D.O.T. DISTRICT 2 SURVEY OFFICE

PERSONNEL

REFERENCE NO. 28-9

SHEET 7 OF

NOTES 1. Stone

H.C. D. Curtis

R.C. R. Milhalak

J. Householder

DATE 8 April 86

WEATHER Cool

TEMP. 50°

ROUTE SR#576

COUNTY Williams

TOWNSHIP Bridgewater

SECTION 1

T. R.

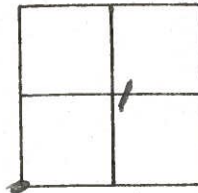
TYPE MONUMENT PK Nail

ON SURFACE - BELOW Surface

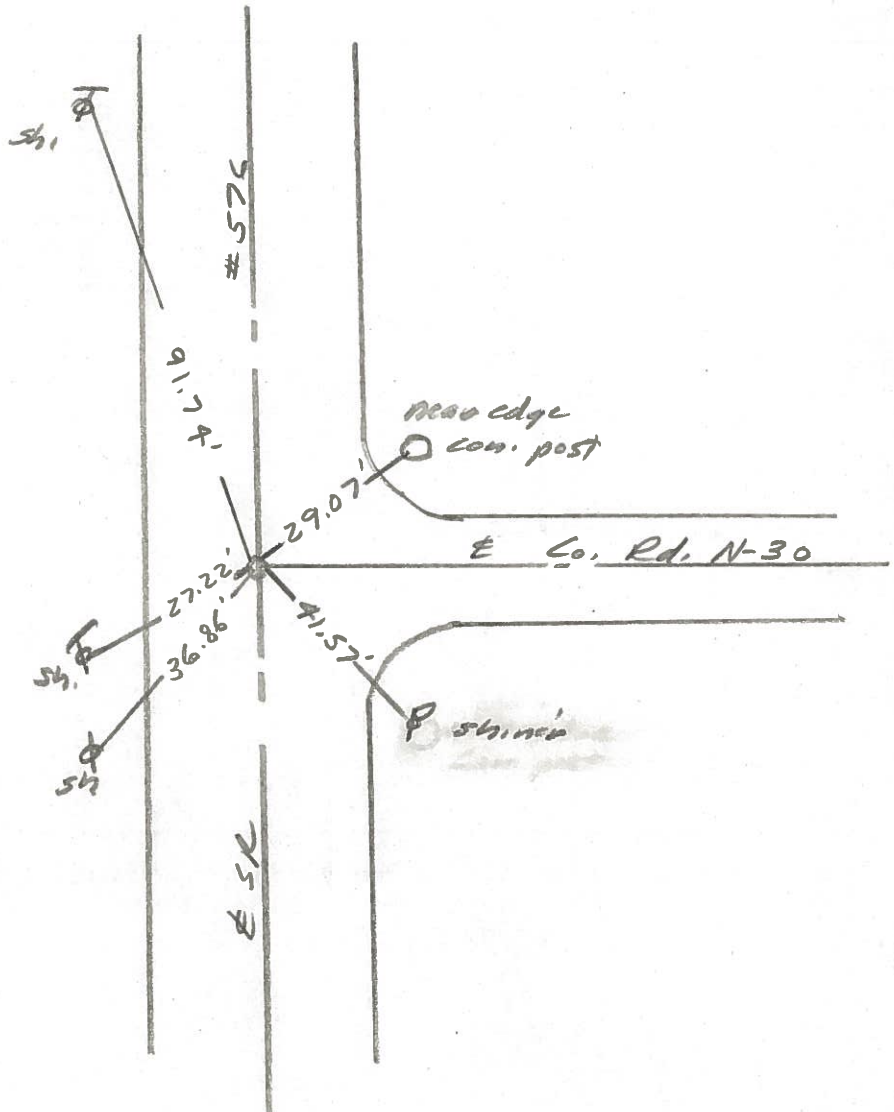
LEFT - & PAV'T. - RIGHT

 TO EDGE PAVEMENT

S.L.M. 742+08



Set PK Nail 9/14/86 IRS



O.D.O.T. DISTRICT 2 SURVEY OFFICE

PERSONNEL _____

REFERENCE NO. 28-A

SHEET 8 OF _____

NOTES 1. Stone

H.C. D. Curtis

R.C. R. Michalak

J. Hauschalter

DATE 8 April 86

WEATHER Cool

TEMP. 50°

ROUTE SR #576

COUNTY Williams

TOWNSHIP Bridgewater

SECTION 1

T _____ R _____

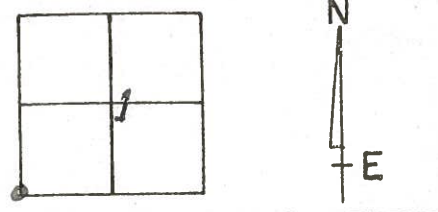
TYPE MONUMENT PK Nail

ON SURFACE - BELOW Surface

LEFT - \odot PAV'T. - RIGHT _____

TO _____ EDGE PAVEMENT

S.L.M. 742+00



Set PK Nail 9/14/86 125

