

O.D.O.T. DISTRICT 2 SURVEY OFFICE (USE ONLY)

PERSONNEL

REFERENCE NO. 29

SHEET 30 OF 33

NOTES HOMAN DATE 6/19/12

H.C. ROUSOS WEATHER SUNNY

R.C. HOMAN TEMP. 90°

ROUTE SR 576

COUNTY WILLIAMS

TOWNSHIP BRIDGEWATER

SECTION 2

T 10 S R 3 W

DWG BY RHOADES PID CHIP SEAL

TYPE MONUMENT 3/4" IPIPE

~~ON SURFACE~~ - BELOW 4"

OFFSET \odot PAVEMENT 1' LT : ~~RT~~

11.2' TO RT EDGE PAVEMENT

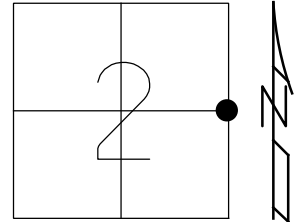
STATION: 767+78.51

HORZ.DATUM: NAD83 2011

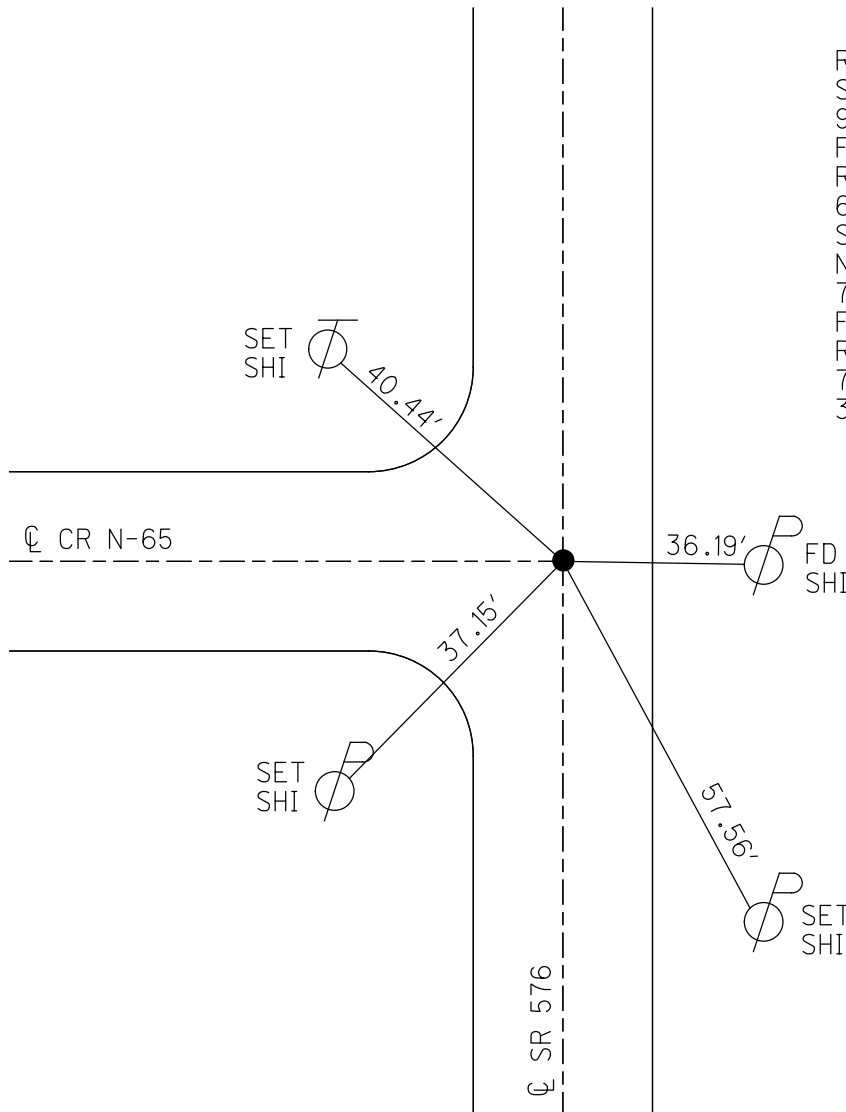
GEOID: NAVD88 2018

GRID: NORTHING: 721938.182

EASTING: 1391267.997



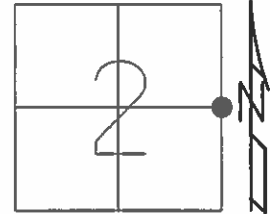
RECORD:
 SET SM.R.R.SPIKE
 9-4-86, IRS
 FD 3/4" IPIPE
 REF69
 6-19-12, DCH
 SET P.K./WASHER
 NEWREF69
 7-23-12, DCH
 FD P.K./WASHER
 REF29
 7/5/22, TDN
 3/8/23, JMR



O.D.O.T. DISTRICT 2 SURVEY OFFICE (USE ONLY)

PERSONNEL _____ REFERENCE NO. 29 SHEET 29 OF 32
 NOTES HOMAN DATE 6-19-12 ROUTE SR 576
 H.C. ROUSOS WEATHER SUNNY COUNTY WILLIAMS
 R.C. HOMAN TEMP. 90° TOWNSHIP BRIDGEWATER
 _____ SECTION 2
 _____ T 10 S R 3 W

TYPE MONUMENT 3/4" IPIPE
~~ON SURFACE~~ - BELOW 4"
 LEFT - ☉ PAV'T - ~~RIGHT~~ 1'
 _____ TO _____ EDGE PAVEMENT
 S.L.M. 767+78.51

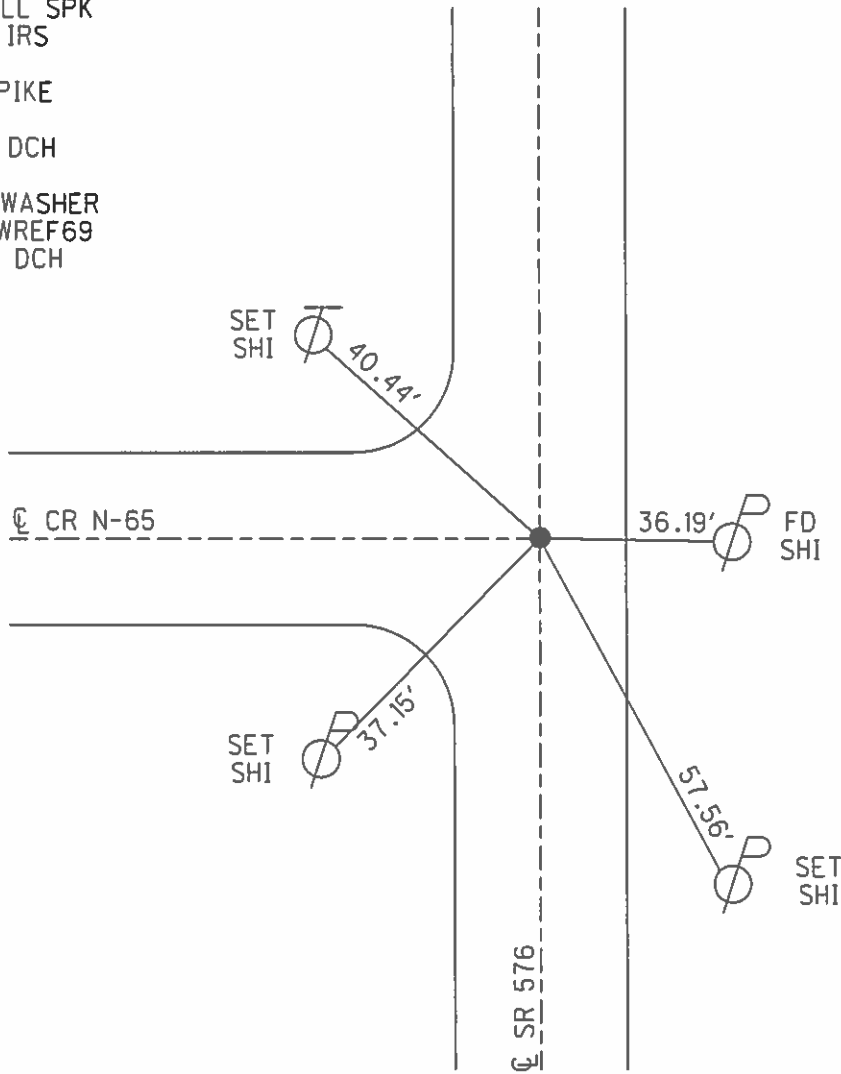


Grid: Northing: 721938.149 Easting: 1391267.959

SET SMALL SPK
 9-4-86, IRS

FD RR SPIKE
 REF69
 6-19-12, DCH

SET PK/WASHER
 GPS, NEWREF69
 7-23-12, DCH



O.D.O.T. DISTRICT 2 SURVEY OFFICE

PERSONNEL

REFERENCE NO. 29

SHEET 9 OF

NOTES 1. Stone

H.C. D. Curtis

R.C. R. Michalek

J. Haushalter

DATE 8 April 86

WEATHER Cool

TEMP. 50°

ROUTE SR #576

COUNTY Williams

TOWNSHIP Bridgewater

SECTION 2

T. R.

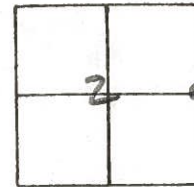
TYPE MONUMENT 3/4" I. pipe

ON SURFACE - BELOW 4" deep

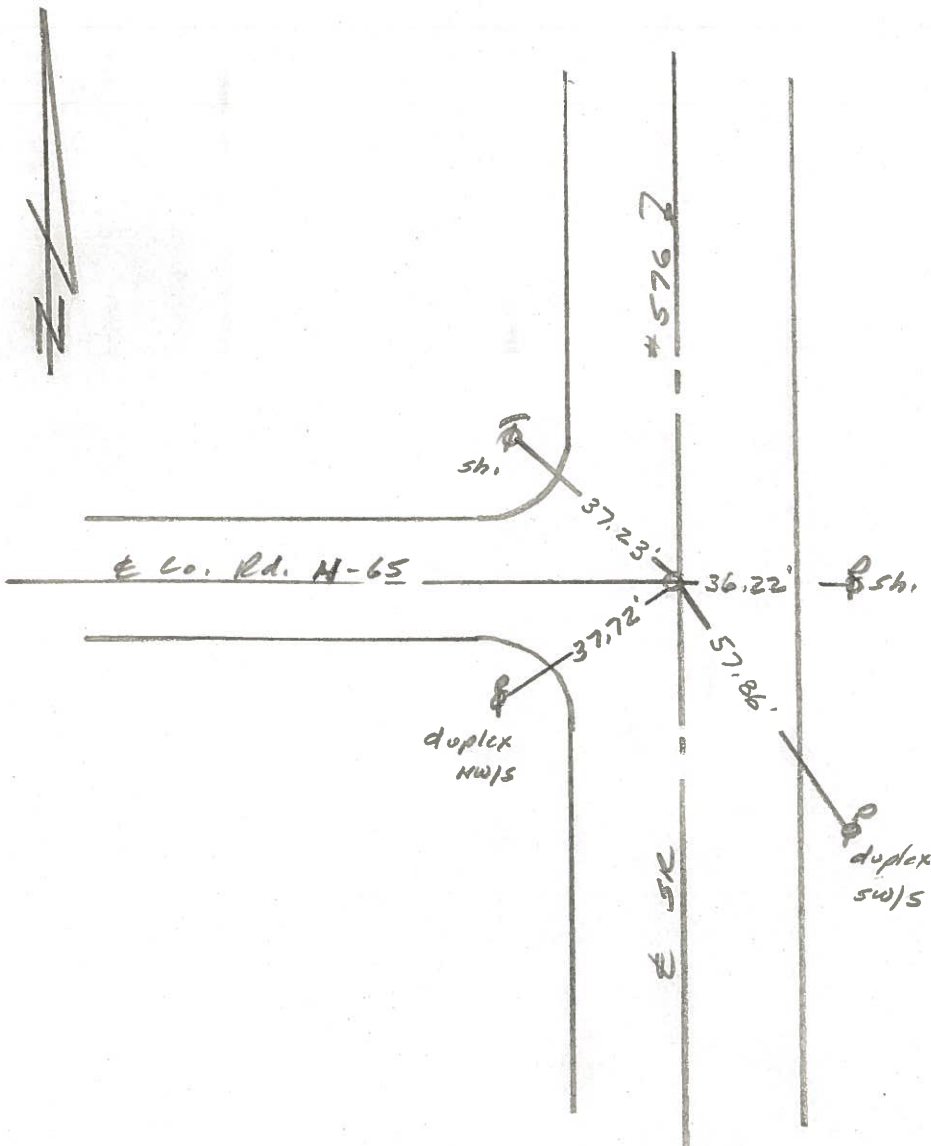
LEFT - PAV'T. - RIGHT

TO EDGE PAVEMENT

S.L.M. 768+45



Set small spike 9/4/86 IRS



PERSONNEL TITLE PERSONNEL TITLE

Red Beach
W. Knappe

COUNTY Williams DATE August 1976

S. R. 576 WEATHER _____

SEC. 1 & 2 Bridgewater Twp TEMP _____

DESCRIPTION CONTROL POINTS T-10-S JOB NO. _____

29

Found Sec. Cor Stone 30 Aug 76

SW & NE Cors.
old std. Endwall

Near side
old conc. AP.

ctr. Line Sec. 2

& Co. Rd. # N-65
18' Bit. Mac. pavt.

1918[±] Sta. 148+36.3 Book # Wi-37
Montpelier-Jimtown C.H. #16

Discarded the aforementioned
wood hub. Laid the bolt
& the RR spk beside the
ctr. stone together with
four flattened cans —

one Pabst one Millers one Mountain Dew
and one Budweiser (60¢).

Dup. NW/S

NW Cor.
old std. Endwall

Found old decayed wood hub over the
ctr. stone & 13" below pavt. surface.
Found 3/4" x 3" bolt w/ 3/4" head embedded
in surface of the conc. pavt.
The bolt was 0.11' north & 0.35' east of
of the ctr. of the ctr. stone.
Found Olmstead's RR spk on blacktop
surface. RR spk was 0.28' south
& 0.48' east of the ctr. Stone.
Set 18" x 1" pipe over Ctr. of Stone 24 Aug 76

ctr. Line Sec. 1

Near side old conc. AP.

Found recorded Qtr. Stone 26" below
pavt. surface 24 Aug. 1976
Good peak on dome shaped stone.
No tile or brick.
Qtr. stone is 0.27' west of ctr. of
the old 14' conc. base pavt. & 0.7'
west of ctr. of the 19' existing
blacktop surface.

5" blacktop
7" conc.
12" total pavt. metal

Dup. SW/S

& US 20 Qtr. Line

Laid the 8" I. Pin beside the cor. stone.
Discarded the old wood stake.
Deposited an assortment of beer
cans (flattened) around the cor.
stone and set an 18" x 1" pipe
over the ctr. of the cor. stone.
Found No brick or tile.

Est. 3/4" pipe from
old references in 1973 for Qtr. Corner.

Found 40-d spk WSW/S

30

Dup. ESE/S

" W/S Cong. A.P.
The Cor. Stone is APPROX 1' north of AP

Found RR spk on pavt. surface.
Cor. stone is 1.80' east of and
1.13' north of the RR spk.

Found 8" x 1" I. Pin in conc. pavt
7" below blacktop surface.
The iron pin was 0.12' west of
ctr. of the Cor. Stone.

Found old wood stake (23" x 2")
beneath the conc. and slanted
over the cor. stone.

& Co. Rd. # N-65

Found recorded cor. Stone 26" below
pavt. surface 30 Aug 1976.
The cor. Stone is under the center of
the 14' base conc. pavt. and 0.3' east
of ctr of the 19' Blacktop surface.

7" Blacktop
4" conc.
11" Metal over this cor. Stone

Dup. WSW/S

Found Qtr. Stone 1976

ctr. Line