

O.D.O.T. DISTRICT 2 SURVEY OFFICE (USE ONLY)

PERSONNEL

REFERENCE NO. 4

SHEET 6 OF 22

NOTES NIESE
 H.C. AUBLE
 R.C. KETNER
RHOADES

DATE 4/19/22
 WEATHER WINDY
 TEMP. 39°

ROUTE US 6
 COUNTY WOOD
 TOWNSHIP WESTON
 SECTION 29

DWG BY NIESE PID 85271

T 5 N R 9 E

TYPE MONUMENT MONBOX W/ MOBORA

ON SURFACE - ~~BELOW~~ ON

OFFSET 11.7' TO LT EDGE PAVEMENT

ON LT : RT

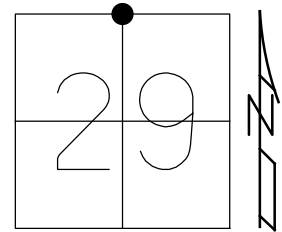
STATION: 80+61.69

HORZ.DATUM: NAD83 (2011)

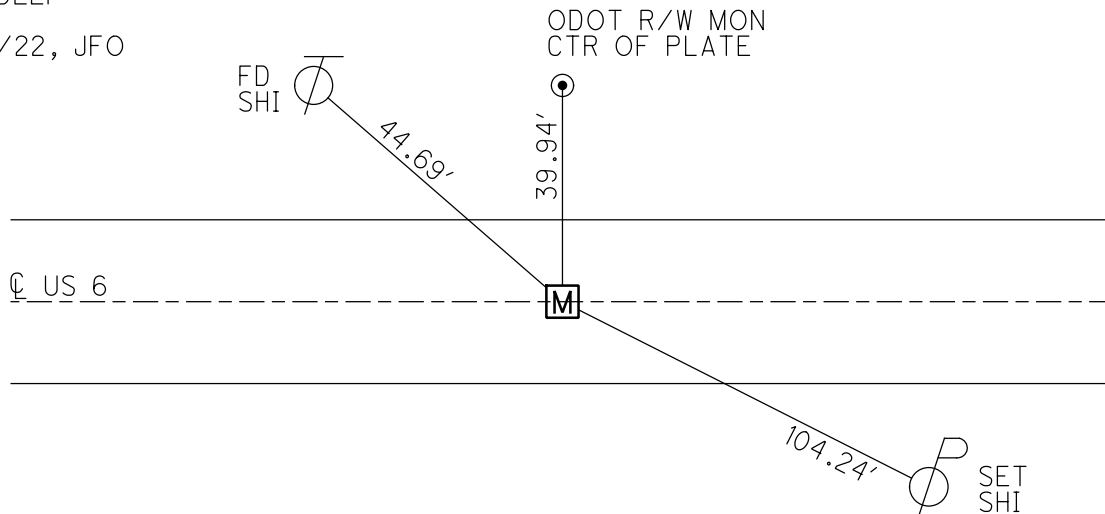
GEOID: NAVD88 2018

GRID: NORTHING: 624139.480

EASTING: 1596884.964



RECORD: P.I.
 STA 80+61.33
 $\Delta = 00^{\circ}18' RT$
 FD MONBOX
 DID NOT OPEN
 SHOT CTR OF LID
 10/30/01, SAH
 7/21/14, JLL
 7/18/16, JLL
 FD MONBOX
 ON SURFACE
 W/ MOBORA
 1.7' DEEP
 REF4
 4/19/22, JFO



O.D.O.T. DISTRICT 2 SURVEY OFFICE (USE ONLY)

PERSONNEL

REFERENCE NO. 4

SHEET 6 OF 22

NOTES LEU

DATE 7/18/16

ROUTE US 6

H.C. HOMAN

WEATHER CLOUDY

COUNTY WOOD

R.C. LEU

TEMP. 82°

TOWNSHIP WESTON

SECTION 29

DWG BY RHOADES PID 85271

T 5 N R 9 E

TYPE MONUMENT MONBOX

ON SURFACE - ~~BELOW~~ ON

OFFSET ☉ PAVEMENT ON LT : RT

11.7' TO LT EDGE PAVEMENT

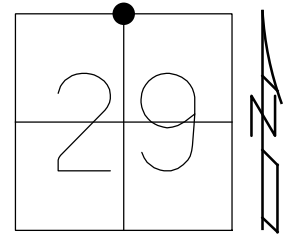
STATION: 80+61.69

HORZ. DATUM: NAD83 (2011)

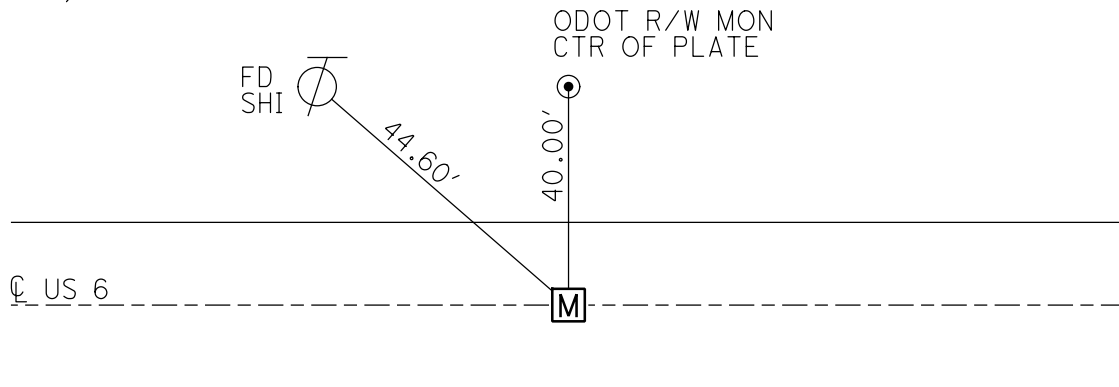
GEOID: NAVD88 2012A

GRID: NORTHING: 624139.353

EASTING: 1596884.989



RECORD: P.I.
 STA 80+61.33
 $\Delta = 00^\circ 18' RT$
 FD MONBOX
 DID NOT OPEN
 SHOT CTR OF LID
 10/30/01, SAH
 REF4
 7/21/14, JLL



O.D.O.T. DISTRICT 2 SURVEY OFFICE (USE ONLY)

PERSONNEL _____

REFERENCE NO. 4

SHEET 6 OF 22

NOTES HUSS

DATE 10/30/01

ROUTE US 6

H.C. ROUSOS

WEATHER CLOUDY

COUNTY WOOD

R.C. VAN DUSEN

TEMP. 57°

TOWNSHIP WESTON

DWG BY NIESE

PID _____

SECTION 29

T 5 N R 9 E

TYPE MONUMENT MONBOX

ON SURFACE - ~~BELOW~~ ON

OFFSET ☉ PAVEMENT ON LT : RT

11.7' TO LT EDGE PAVEMENT

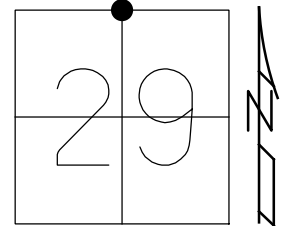
STATION: 80+61

HORZ.DATUM: _____

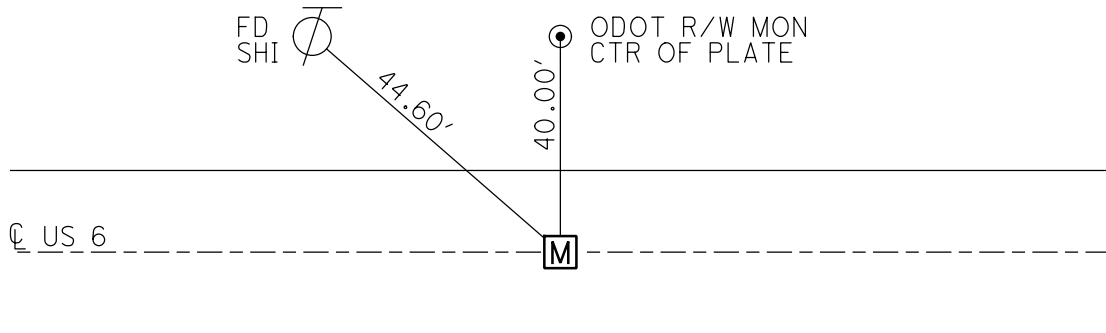
GEOID: _____

GRID: NORTHING: _____

EASTING: _____



RECORD:
 STA 80+61.33
 $\Delta = 00^{\circ}18'00''$ RT
 FD MONBOX
 DID NOT OPEN
 SHOT CENTER OF LID
 10/30/01, SAH



O.D.O.T. DISTRICT 2 SURVEY OFFICE

PERSONNEL _____

REFERENCE NO. 4

SHEET 5 OF 12

NOTES Huss

H.C. Rousos

R.C. Van Dusen

DATE 10-30-01

WEATHER Cloudy

TEMP. 57°

ROUTE U.S. 6

COUNTY Wood

TOWNSHIP Weston

SECTION 29

T. 5 N. R. 9 E.

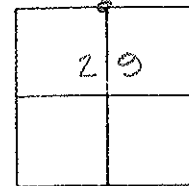
TYPE MONUMENT Monument Box

ON SURFACE - ~~BELOW~~ On

~~LEFT - C~~ PAV'T. - ~~RIGHT~~ On

11.7' TO Lt EDGE PAVEMENT

S.L.M. 80+61



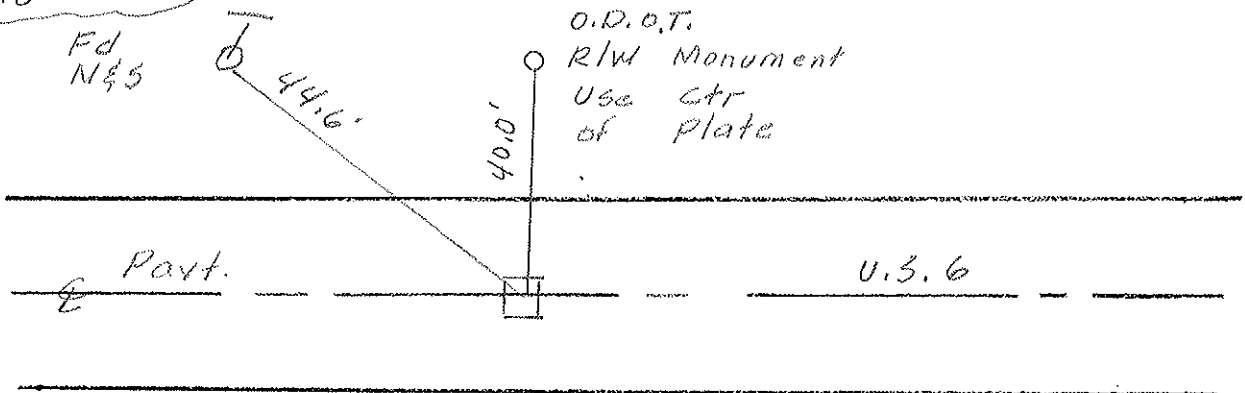
Note:

Did Not open Box
Meas. to Ctr. of Lid

Record:

Sta. 80+61.33

$\Delta = 0^{\circ}18'$ Rt.



O.D.O.T. DISTRICT 2 SURVEY OFFICE

PERSONNEL

REFERENCE NO. 4

SHEET _____ OF _____

NOTES HOFFMAN

H.C. BARNHISEL

DATE 7-24-90

ROUTE US 6

R.C. LOSHRKE

WEATHER CLEAR

COUNTY WOOD

TEMP. 80°

TOWNSHIP WESTON

SECTION 29

TS N 9 E

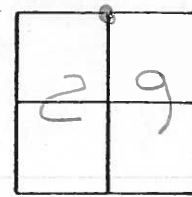
TYPE MONUMENT Monument Box

ON SURFACE - BELOW YES

LEFT- & PAV'T. - RIGHT YES

11.7 TO LT. EDGE PAVEMENT

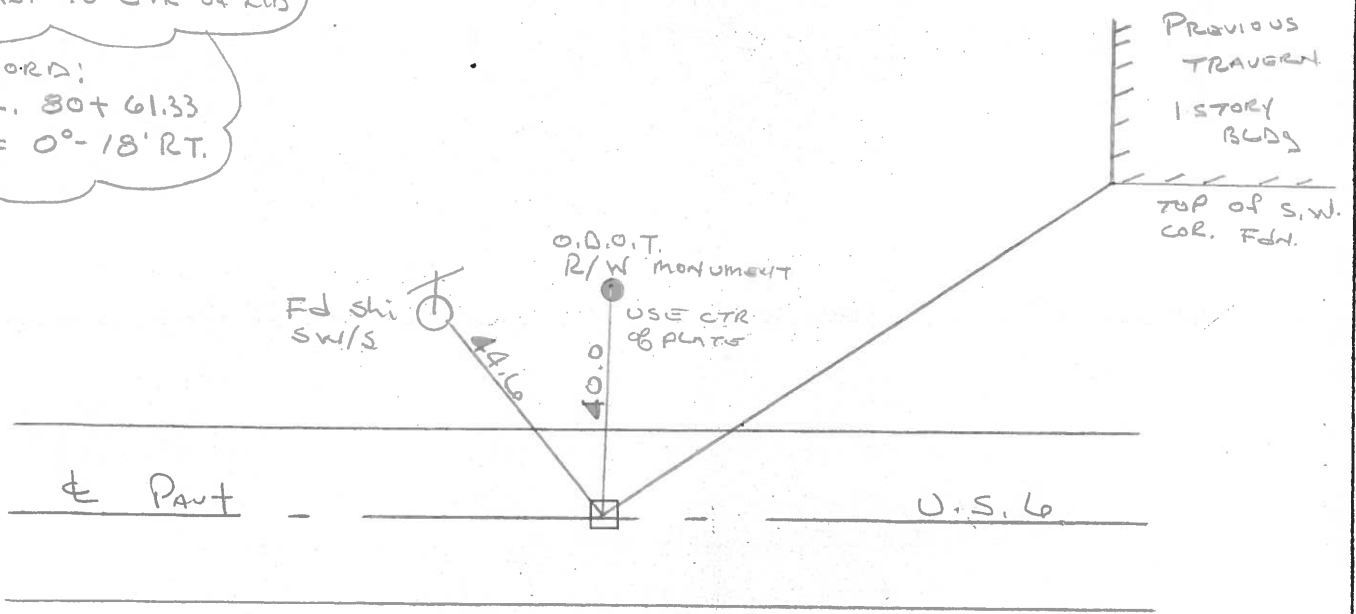
S.L.M. 80+61



NOTE!
DID NOT OPEN BOX
MEAS. TO CTR of LID

Box NOT AT SURFACE 8-10-90 SWK

RECORD!
Sta. 80+61.33
 $\Delta = 0^\circ - 18' RT.$



County Wood ^{U.S.} S.R. 6

Date 1-21-83

Township Weston

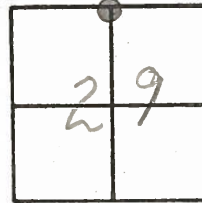
Weather Cloudy

Section 29

Temp. +35°

T5N, R9E

Personnel Hoffman



#4

+
Crew

Fd. Mon. Box of surface (used center of box; did not open)

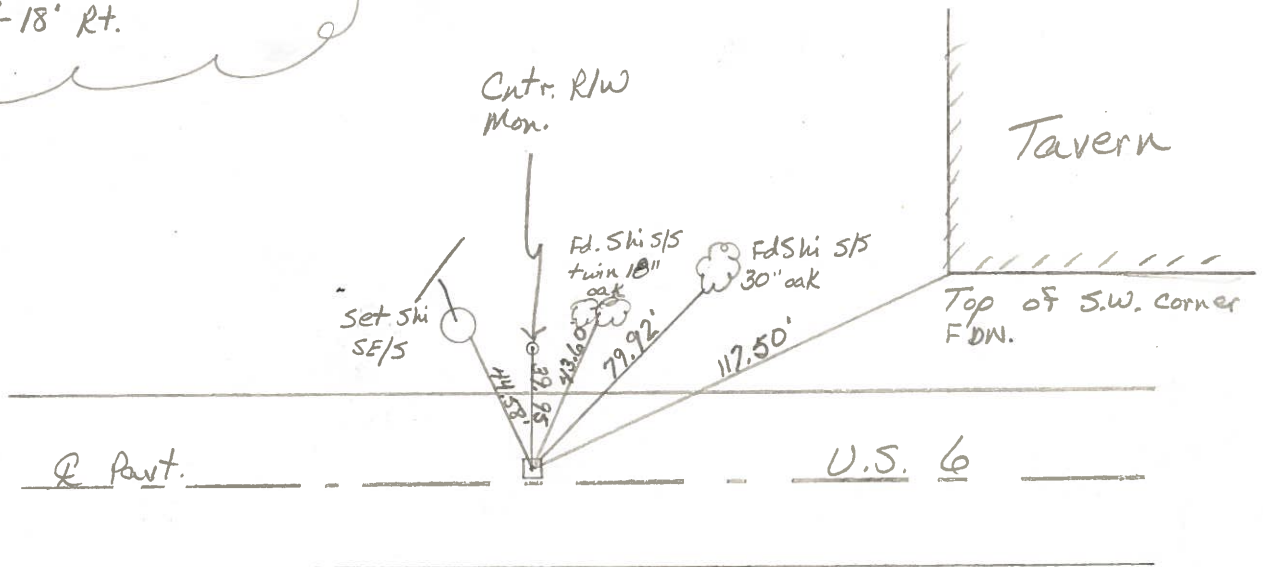
S.L.M. 80+63

.5' Lt. of Q Part. U.S. 6

11.8' to N.E.P.

12.0' to S.E.P.

Record: Sta. 80+61.33
 $\Delta = 0^\circ - 18' \text{ Rt.}$



County WOOD ^{U.S.} S.R. 6

Date 6-24-74

Township WESTON

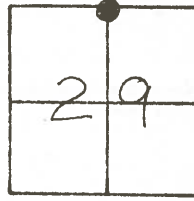
Weather CLEAR

Section 29

Temp. 62°

T N, R E

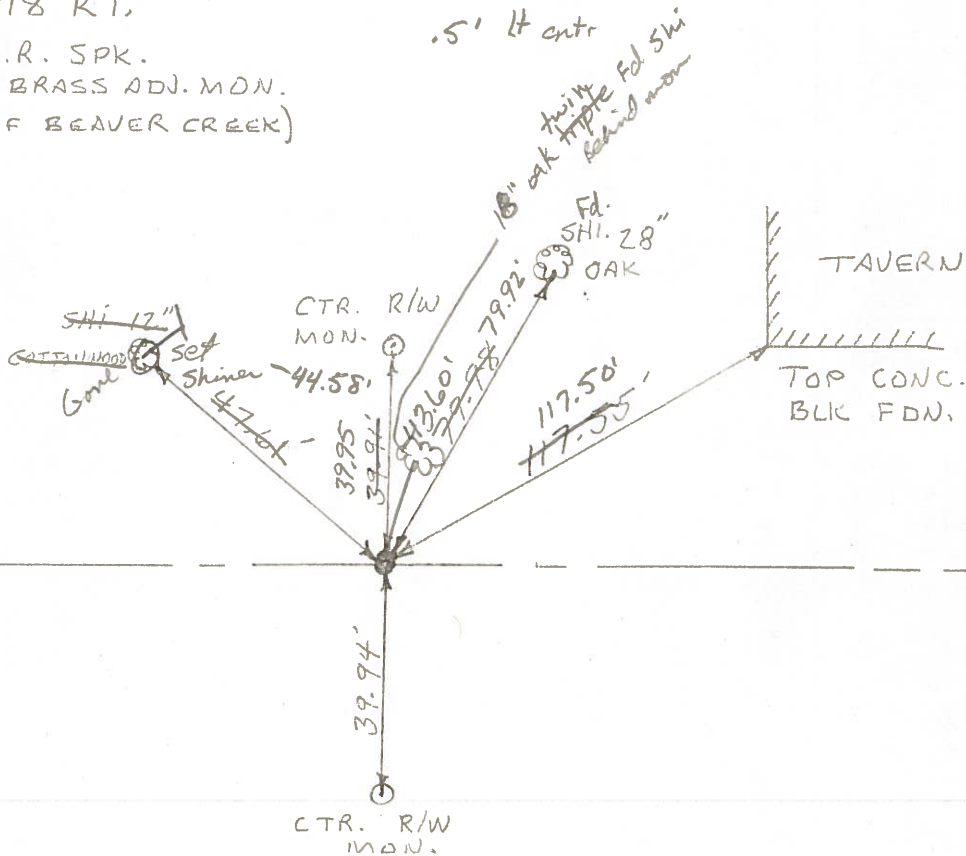
Personnel BURNSIDE
SMITH
BOWERS
KIJOWSKI



#4 STA. 80+61.33
 $\Delta = 0^{\circ}18' RT.$
 SMALL R.R. SPK.
 SET OVER BRASS ADJ. MON.
 (EAST OF BEAVER CREEK)

11.8' to NEP
 12.0' to SEP
 .5' lt entr

Sta 80+63



O.D.O.T. DISTRICT 2 SURVEY OFFICE

SHEET 4 OF

County WOOD ^{U.S.} ~~S.R.~~ 6

Date 6-24-74

Township WESTON

Weather CLEAR

Section 29

Temp. 62°

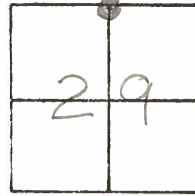
T N, R E

Personnel BURNSIDE

SMITH

BOWERS

KIJOWSKI



#4

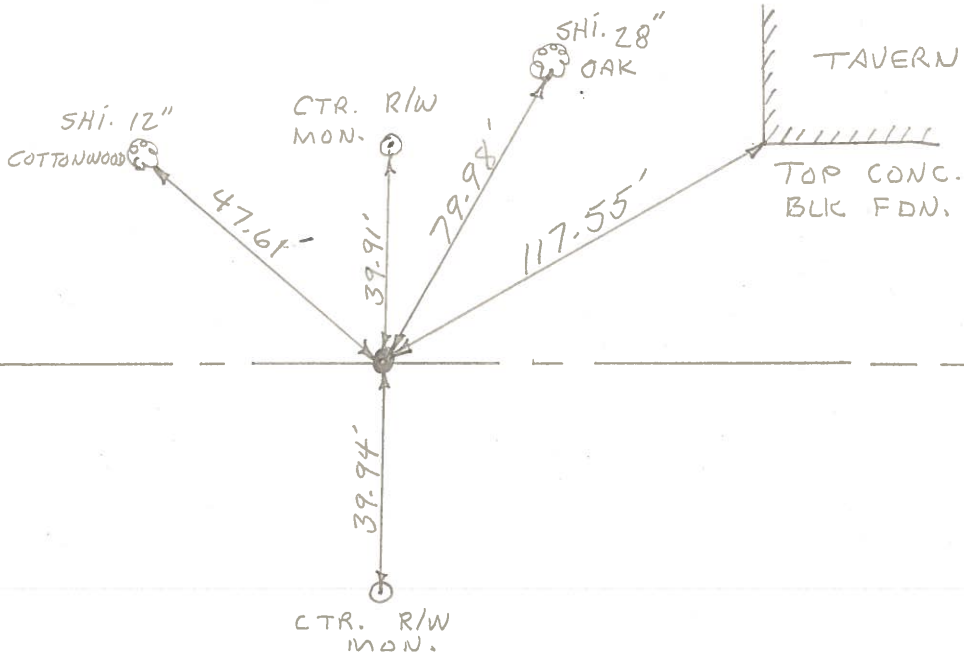
STA. 80+61.33

$\Delta = 0^{\circ}18' RT.$

SMALL R.R. SPK.

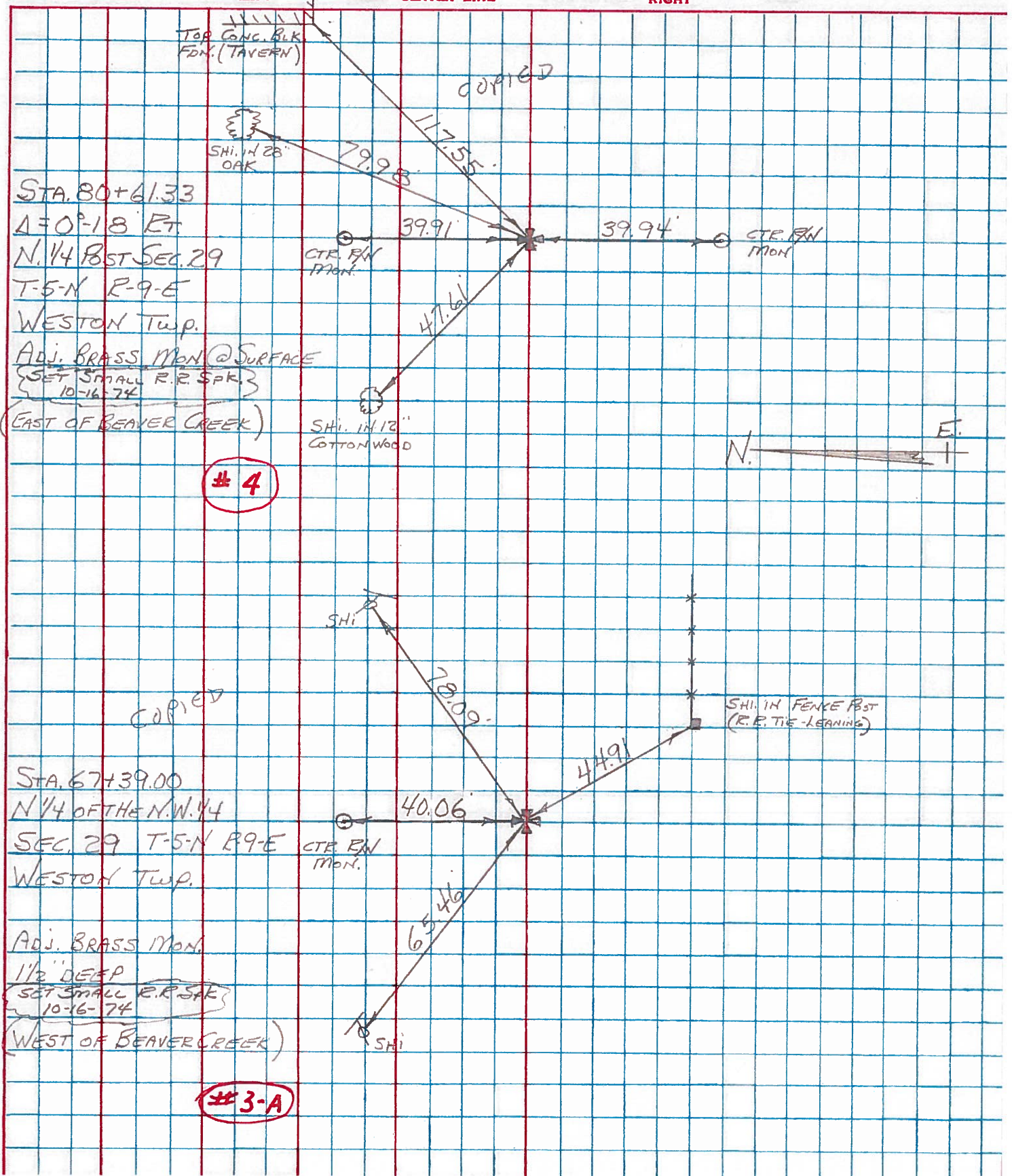
SET OVER BRASS ADJ. MON.

(EAST OF BEAVER CREEK)



PERSONNEL BURNSIDE TITLE _____ COUNTY WOOD DATE 6-24-74
SMITH TITLE _____
BOWERS TITLE _____ S. R. U.S. 6 WEATHER CLEAR
KIJOWSKI TITLE _____ SEC. N 1/4 Post SEC. 29 TEMP. +62°

DESCRIPTION _____ CONTROL TIES _____ JOB NO. _____
 LEFT _____ CENTER LINE _____ RIGHT _____

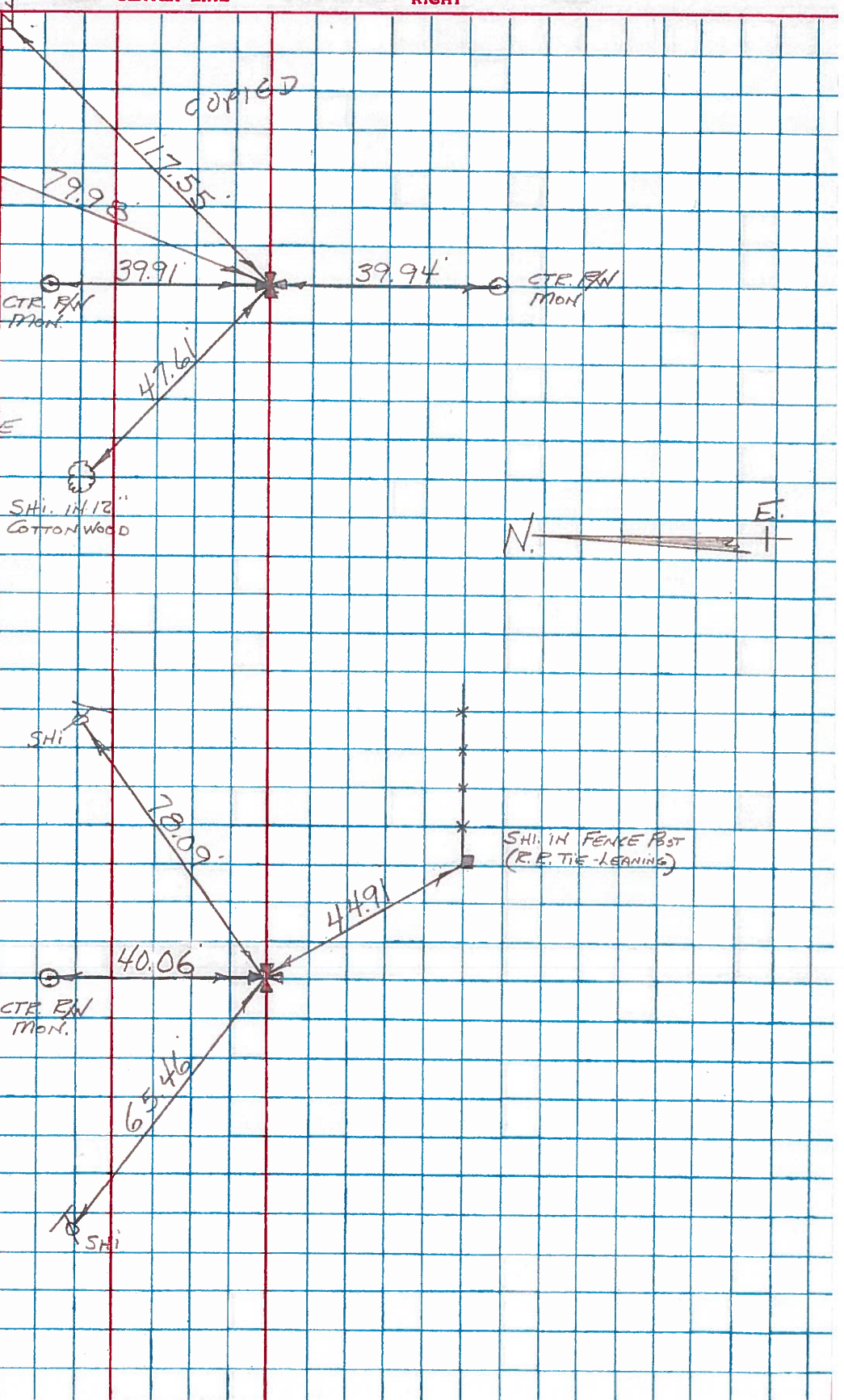


4

3-A

STA. 80+61.33
 $\Delta = 0^{\circ} - 18' E.T.$
 N. 1/4 Post SEC. 29
 T-5-N R-9-E
 WESTON Twp.
 Adj. BRASS MON. @ SURFACE
 { SET SMALL R.R. SPK. }
 10-16-74
 (EAST OF BEAVER CREEK)

STA. 67+39.00
 N 1/4 OF THE N.W. 1/4
 SEC. 29 T-5-N R-9-E
 WESTON Twp.
 Adj. BRASS MON.
 1 1/2' DEEP
 SET SMALL R.R. SPK.
 10-16-74
 (WEST OF BEAVER CREEK)



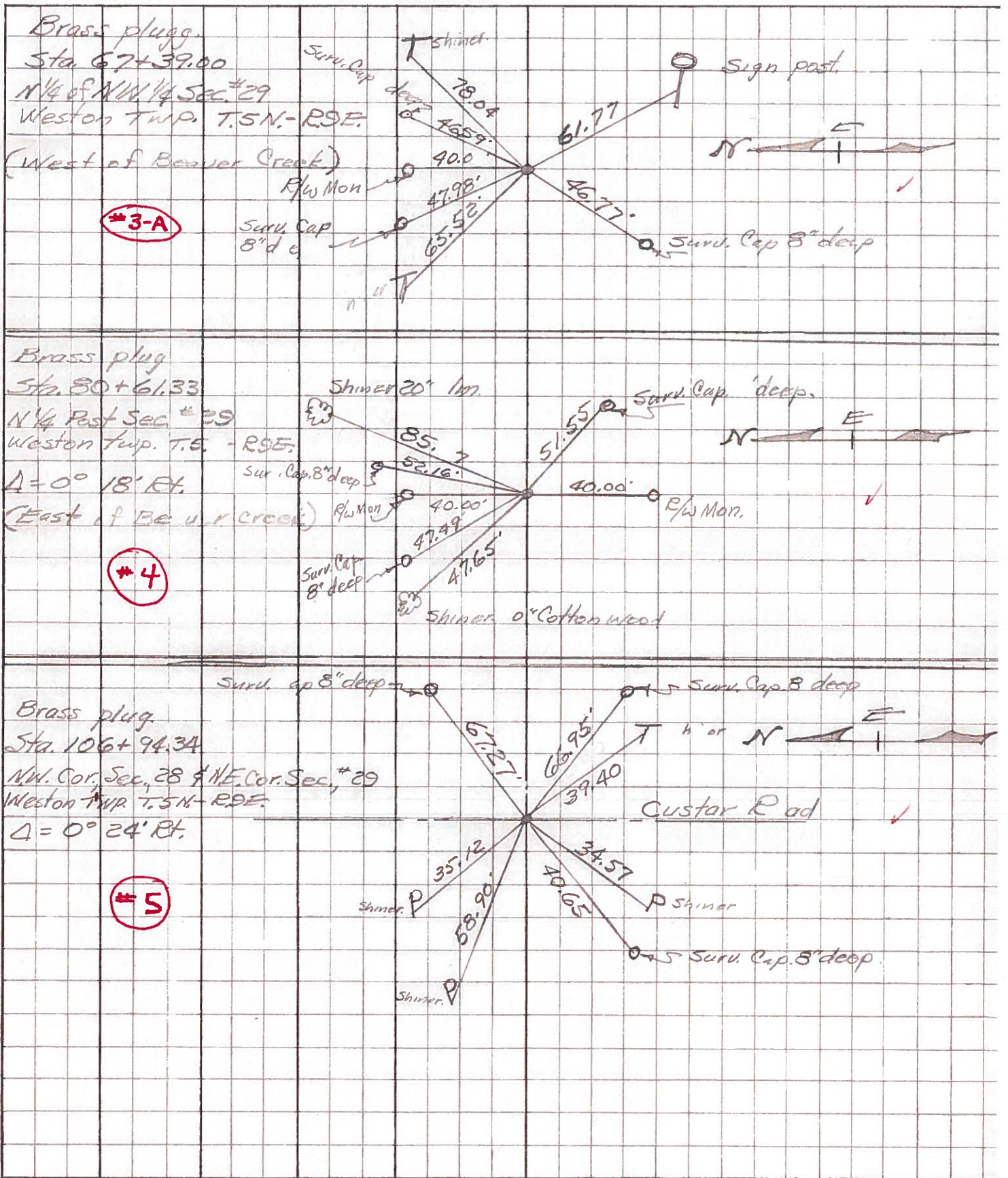
PERSONNEL TITLE PERSONNEL TITLE
 Morrison _____ Smith _____
 Powers _____ Burnside _____
 Holcombe _____
 Kern _____

COUNTY Wood DATE FEB. 5, 1968

S. R. 45#6 WEATHER Clear

SEC. _____ TEMP. +40°

DESCRIPTION Control Points from Wood-Henry Co., line East JOB NO. _____



PERSONNEL TITLE PERSONNEL TITLE

COUNTY Wood DATE OK 3-24-58

S. R. U.S. #6 WEATHER 5-9-62

SEC. _____ TEMP. _____

DESCRIPTION LEFT CENTER LINE RIGHT JOB NO.

E. of Beaver Creek.				
Sta. 80+61.33			Conc. R/W mt. N.	40.00'
N. 1/4 Post-sec. 29 Weston Twp.			Conc. R/W mt. S	40.00'
T5N-R9E. Fd. Shi. Set boat spike			Shiner in 10' Cottonwood ^{Elm} W.N.W.	47.75' 68
$\Delta = 0^\circ - 18' E$ Fwd.		85.67	Shiner in 20' Elm N.N.E.	85.80' .63
(4)				
#5 ok.				
Sta. 106+94.34			✓ Shiner in P.P. N.W.	35.12' 44.25'
N.W. Cor. Sec. 28 & N.E. Cor. Sec. 29. Weston Twp. T5N-R9E			✓ " " " " S.W.	34.57'
Found R.R. Spike			✓ " " T.P. S.E.	39.40'
$\Delta = 0^\circ - 24' E$ Fwd.		89.90	Bar spike in 30' oak N.W.	36.07' 20'
Custar Rd.			W.N.W. Shi. in T. Pole	58.84'
(5)				
#6 ok.				
Sta. 133+47.80			✓ N.W. Cor. block Fdn. House S.E.	81.88' 68
N. 1/4 Post sec. 28 Weston Twp. T5N-R9E. Found R.R. Spike			✓ Shi. in 18" maple S.	21.05'
$\Delta = 0^\circ - 09' E$			Shi. in Cor. Post N.	30.60'
			✓ Shi. in 4th fence Post S.W.	53.25'
			N.W. cor. conc. Cedar Stair S.S.E.	89.65'
(6)				
#7 ok.				
Sta. 160+22.38			X on top of E. end of S. Hdwl. S.W.	26.40'
N.W. Cor. Sec. 27 or N.E. Cor. Sec. 28 Weston Twp. T5N-R9E. Fd. R.R. spike set by previous survey			X on top of E. end of N. Hdwl. N.W.	29.49'
$\Delta = 0^\circ - 21' Lt$ Fwd.		40.62	Shiner in T.P.	S.E. 40.70'
Milton Rd.			Shiner in P.P. N.W.	49.23'
			Shiner in P.P. S.W.	51.05'
			Shiner in T.P. W.S.W.	91.92'
			" S.W. Cor. pump Island. N.E.	94.05'
(7)				