

O.D.O.T. DISTRICT 2 SURVEY OFFICE (USE ONLY)

PERSONNEL

REFERENCE NO. 12

SHEET 14 OF 24

NOTES RHOADES

DATE 7/11/18

ROUTE US 6

H.C. LEU

WEATHER SUNNY

COUNTY WOOD

R.C. HAGEMeyer

TEMP. 65°

TOWNSHIP WESTON

DWG BY RHOADES

PID 95801

SECTION 25

T 5 N R 9 E

TYPE MONUMENT MAG/WASHER

ON SURFACE - ~~BELOW~~ ON

OFFSET CL PAVEMENT 1.5' ~~LT~~ : RT

10.6' TO RT EDGE PAVEMENT

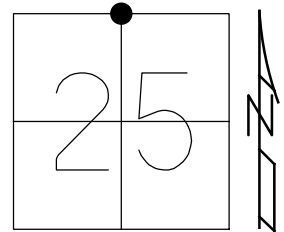
STATION: 292+87.48

HORIZ.DATUM: NAD83 (2011)

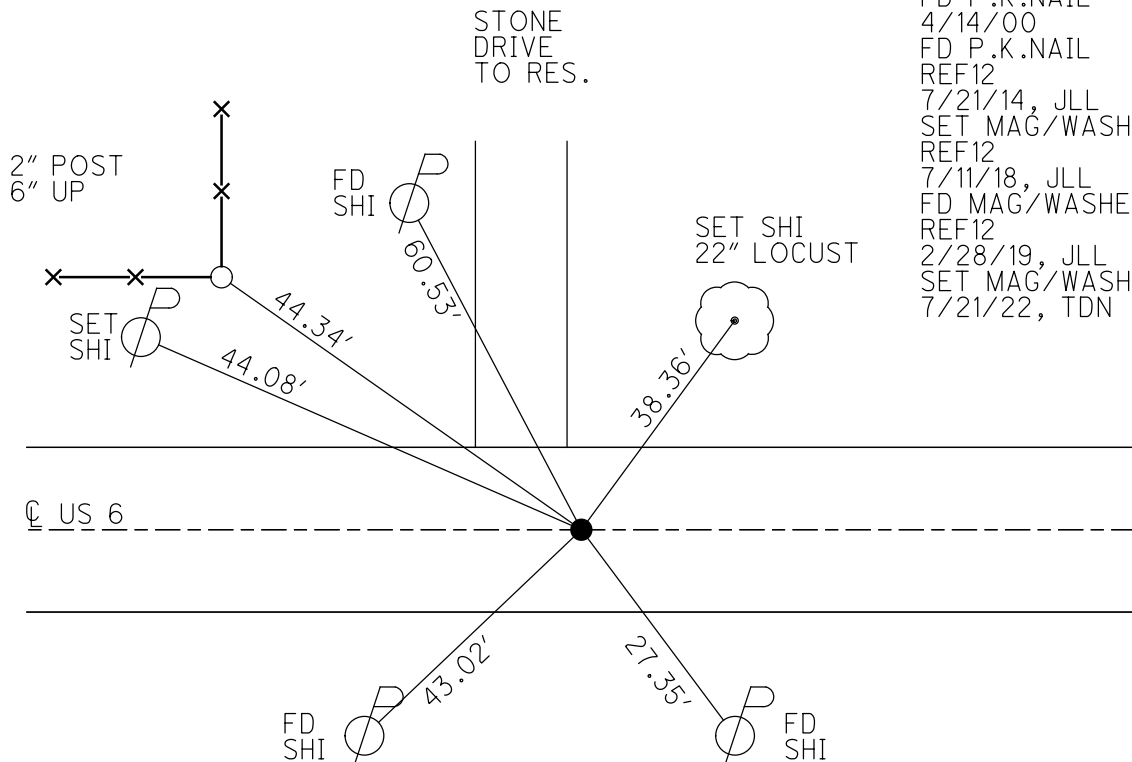
GEOID: NAVD88 2012A

GRID: NORTHING: 623944.106

EASTING: 1618105.024



RECORD:
 FD P.K. NAIL
 5/26/92, MB
 SET P.K./WASHER
 9/22/92, MB
 FD P.K.NAIL
 4/14/00
 FD P.K.NAIL
 REF12
 7/21/14, JLL
 SET MAG/WASHER
 REF12
 7/11/18, JLL
 FD MAG/WASHER
 REF12
 2/28/19, JLL
 SET MAG/WASHER
 7/21/22, TDN



O.D.O.T. DISTRICT 2 SURVEY OFFICE (USE ONLY)

PERSONNEL

REFERENCE NO. 12

SHEET 14 OF 22

NOTES RHOADES

DATE 7/11/18

ROUTE US 6

H.C. LEU

WEATHER SUNNY

COUNTY WOOD

R.C. HAGEMeyer

TEMP. 65°

TOWNSHIP WESTON

SECTION 25

DWG BY RHOADES

PID 95801

T 5 N R 9 E

TYPE MONUMENT MAG/WASHER

ON SURFACE - ~~BELOW~~ ON

OFFSET CL PAVEMENT 1.5' ~~±~~ : RT

10.6' TO RT EDGE PAVEMENT

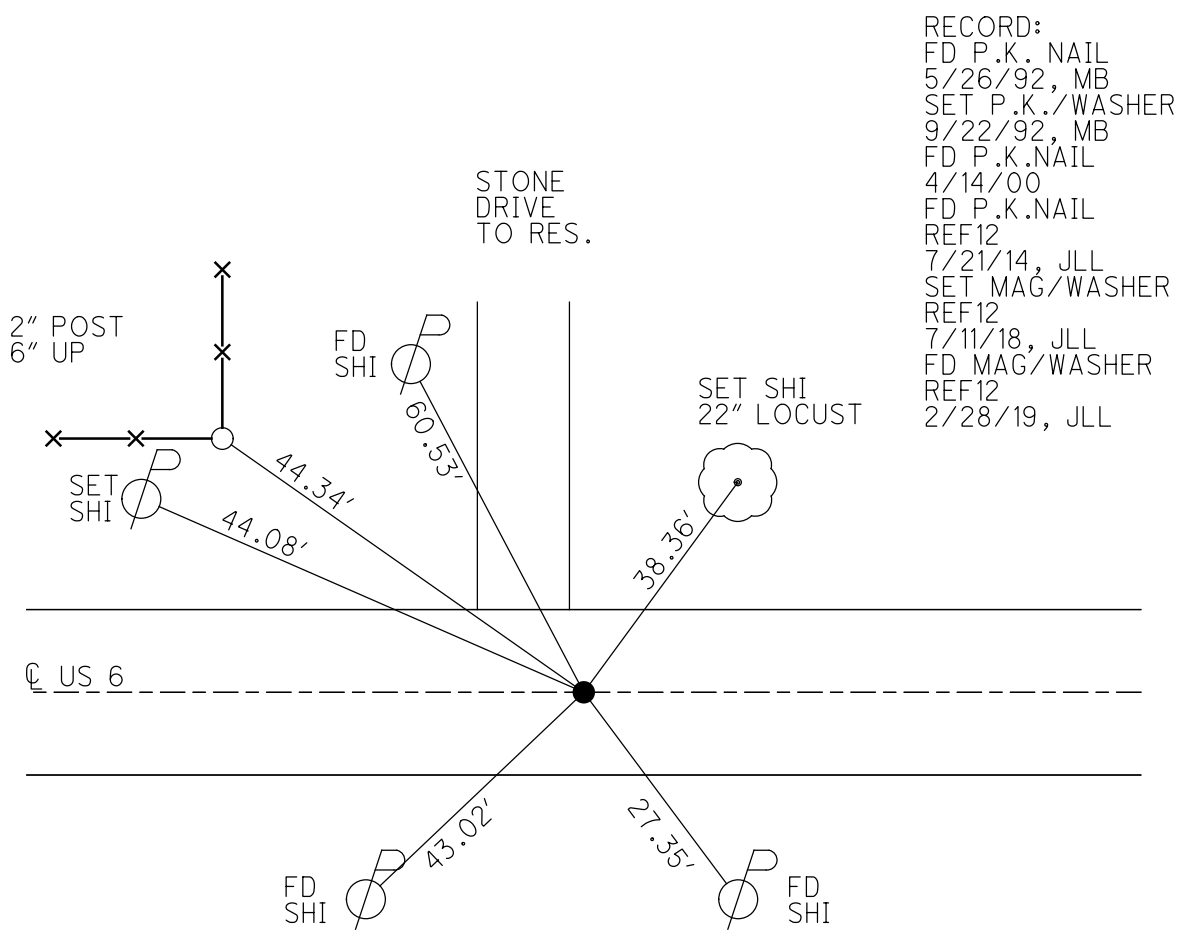
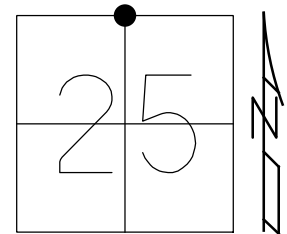
STATION: 292+82.82

HORZ.DATUM: NAD83 (2011)

GEOID: NAVD88 2012A

GRID: NORTHING: 623944.106

EASTING: 1618105.024



RECORD:
 FD P.K. NAIL
 5/26/92, MB
 SET P.K./WASHER
 9/22/92, MB
 FD P.K.NAIL
 4/14/00
 FD P.K.NAIL
 REF12
 7/21/14, JLL
 SET MAG/WASHER
 REF12
 7/11/18, JLL
 FD MAG/WASHER
 REF12
 2/28/19, JLL

O.D.O.T. DISTRICT 2 SURVEY OFFICE (USE ONLY)

PERSONNEL _____

REFERENCE NO. 12

SHEET 14 OF 22

NOTES BARNHISEL

DATE 5/26/92

ROUTE US 6

H.C. VAN DUSEN

WEATHER CLOUDY

COUNTY WOOD

R.C. BURNETT

TEMP. 45°

TOWNSHIP WESTON

DWG BY NIESE PID _____

SECTION 25

T 5 N R 9 E

TYPE MONUMENT P.K. NAIL

ON SURFACE - ~~BELOW~~ ON _____

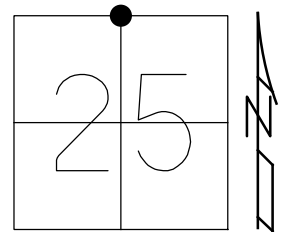
OFFSET \bar{C} PAVEMENT 1.0' ~~RT~~ : RT

10.6' TO RT EDGE PAVEMENT

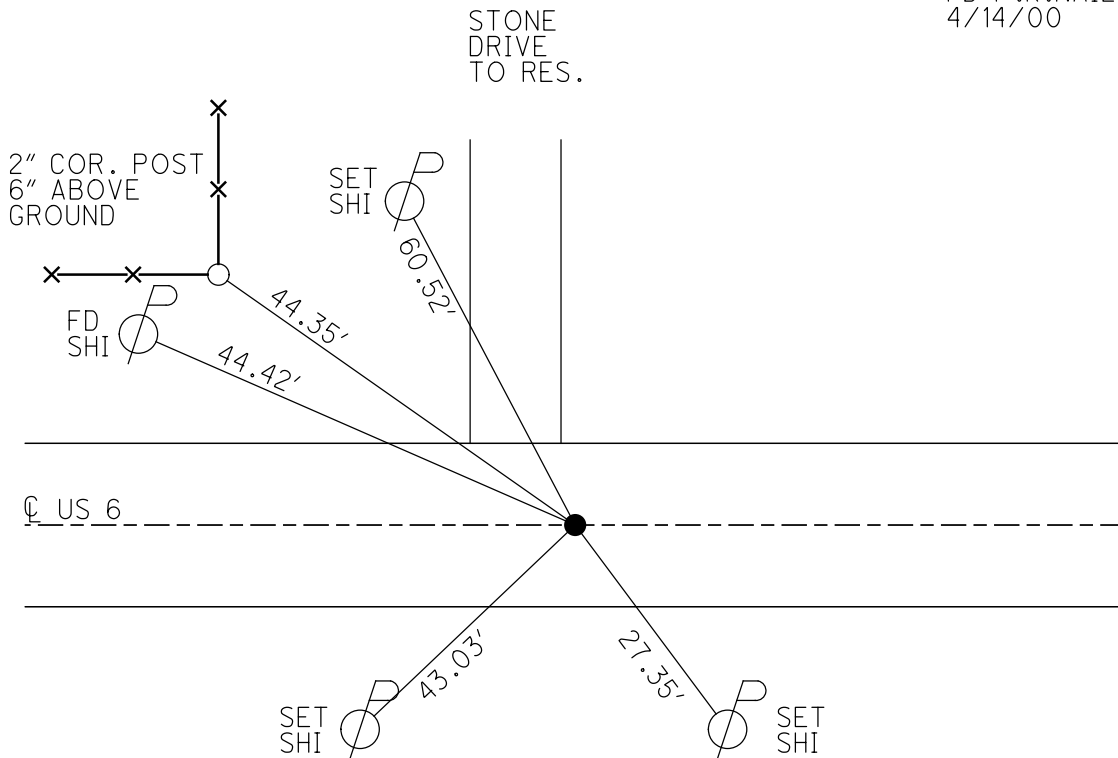
STATION: 292+90

HORIZ.DATUM: _____ GEOID: _____

GRID: NORTHING: _____ EASTING: _____



RECORD:
 FD P.K. NAIL
 5/26/92, MB
 SET P.K./WASHER
 9/22/92, MB
 FD P.K. NAIL
 4/14/00



O.D.O.T. DISTRICT 2 SURVEY OFFICE

PERSONNEL

REFERENCE NO. 12

SHEET 1 OF 8

NOTES BARNHISEL

H.C. UANE DUSEN

DATE 5-26-92

ROUTE U.S. 60

R.C. BURNETT

WEATHER cloudy

COUNTY WOOD

TEMP. +45°

TOWNSHIP WESTON

SECTION 25

T. 5 N. R. 9 E.

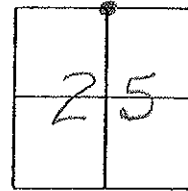
TYPE MONUMENT P.K. NAIL

ON SURFACE - ~~BELOW~~ YES

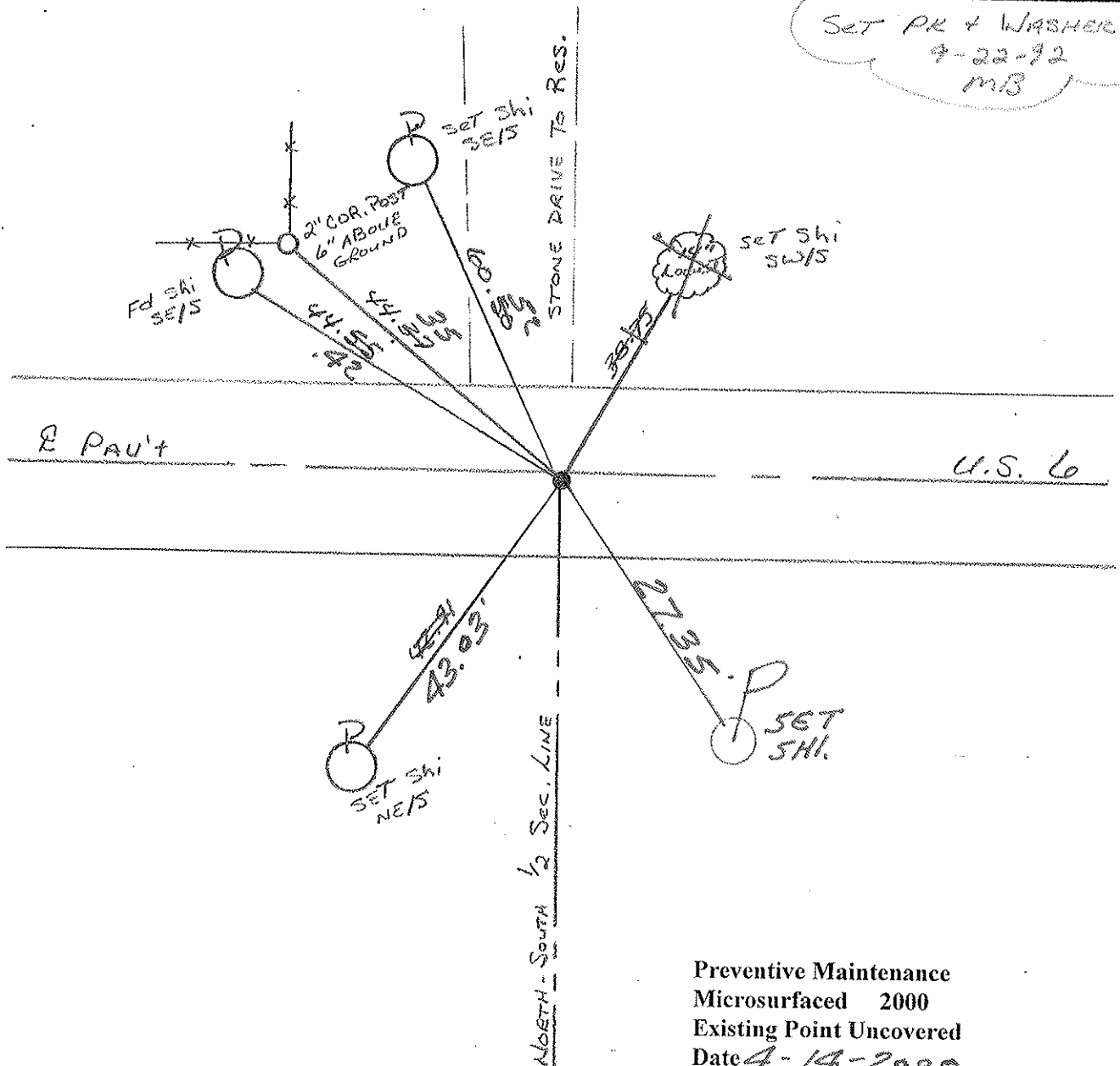
~~LEFT - & PAU'T.~~ - RIGHT 1.0

10.6 TO RT EDGE PAVEMENT

S.L.M. 292+90



Set PK + Washer
9-22-92
MB



Preventive Maintenance
 Microsurfaced 2000
 Existing Point Uncovered
 Date 4-14-2000

County Wood ~~SR.~~ US6

Date 6-18-1980 (OK-8-27-80)

Township Weston

Weather Clear

Section N 1/4 Cor. Sec. 25

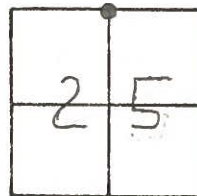
Temp. + 70°

T5N, R9E

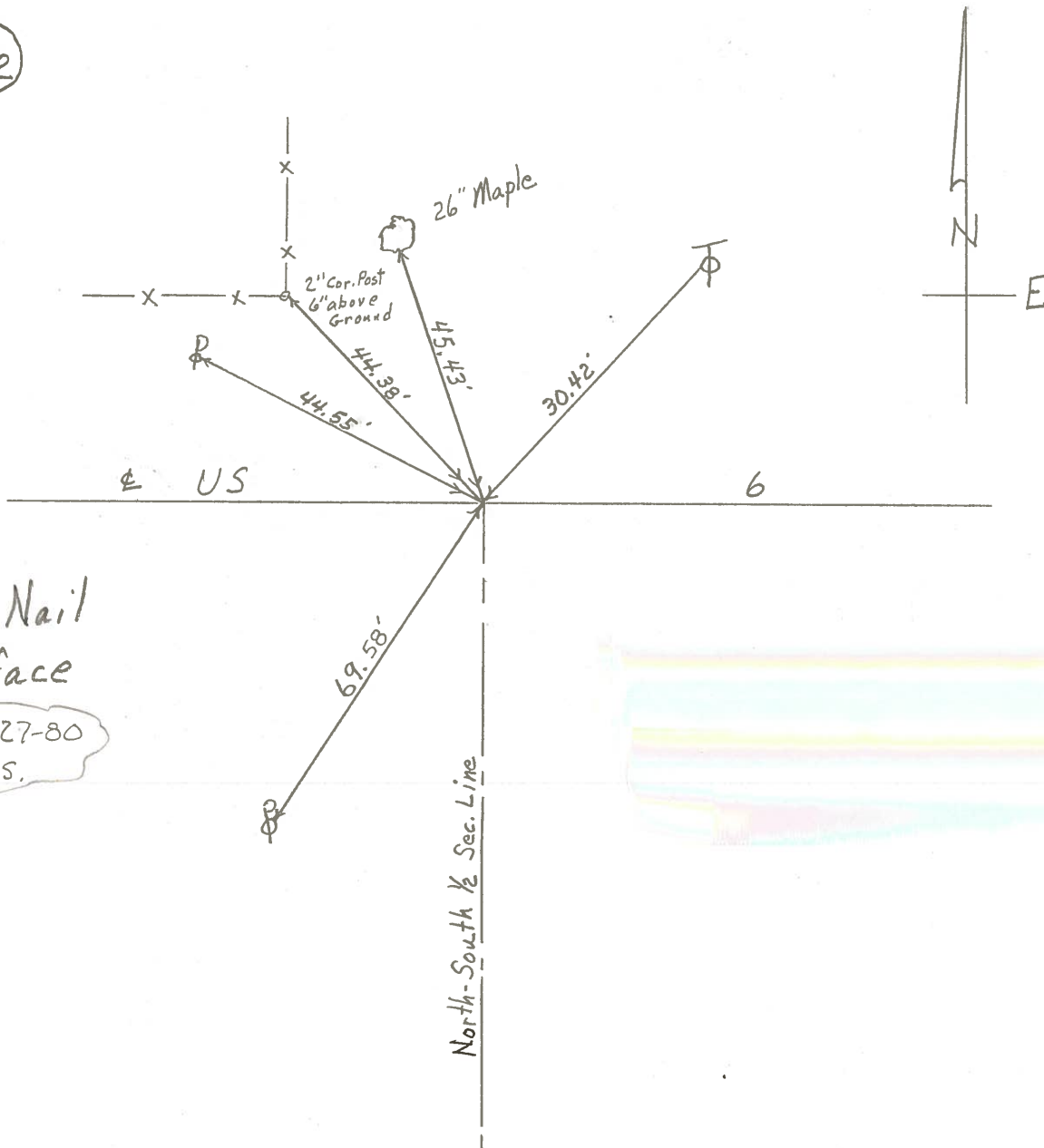
Personnel Smith

Bowers

Mead



#12



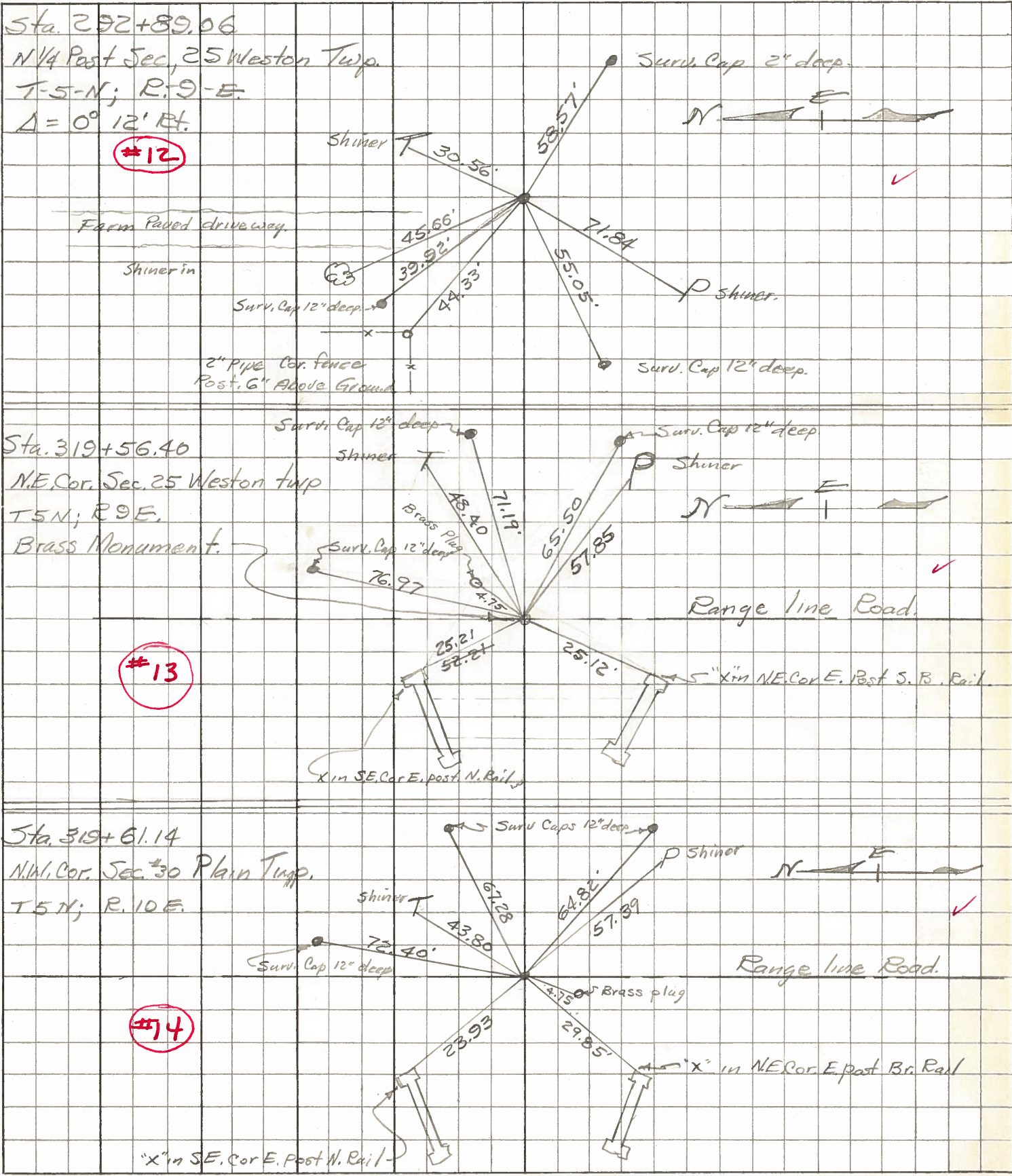
Fd. P.K. Nail
@ Surface

OK-8-27-80
G.W.S.

PERSONNEL	TITLE	PERSONNEL	TITLE
Morrison		Smith	
Bowers		Burnside	
Holcombe			
Kenn			

COUNTY Wood. DATE March 19, 1968
 S. R. 45#6 WEATHER Cloudy
 SEC. _____ TEMP. +50°

DESCRIPTION Control P₃ Henry Co. line JOB NO. _____
 LEFT CENTER LINE RIGHT



PERSONNEL	TITLE	PERSONNEL	TITLE	COUNTY	DATE
				Wood	OK 3-24-58
				S. R. U.S.#6	5-9-62
				SEC.	WEATHER
					TEMP.

DESCRIPTION	LEFT	CENTER LINE	RIGHT	JOB NO.
-------------	------	-------------	-------	---------

Sta. 292+89.06		45.66	Shiner in 24" maple N.W.	45.69'
N ¹ / ₄ post sec. 25 Weston		30.56	" " T.P. N.E.	45.56'
Twp. T5N-R9E. Conc. Airt. BRASS Mon.		71.84	" " P.P. S.W.	30.47'
Δ = 0°-12' Rk.		Gone	" " 24" maple N.N.W.	71.90'
		44.33	cor. fence post 6' above Ground. N.W.	89.64'
				89.50'

2-19-68
#12
#13 ok.

Sta. 319+56.40			+ in N.E. Cor. E. Post S Rail bridge SW.	25.12'
N.E. Cor. Sec. 25 Weston Twp.			+ " SE. " E. " N. " " N.W.	25.2'
Line T5N-R9E. Rd. RR. Spike		57.88	Shiner in T.P. N.E.	48.40'
BRASS Mon.			Shiner in P.P. S.E.	57.85'

2-19-68
Range line Rd. #14 ok.

Sta. 319+61.14			Sw. to + in N.E. Cor. E. Post S Rail br.	29.85'
N.W. Cor. Sec. 30. Plain Twp.			N.W. to + in S.E. " " " N. " "	23.93'
Line T5N-R10E Rd. RR. Spike			N.E. to shi. in T.P.	43.80'
BRASS Mon.			S.E. to shi. in P.P.	57.39'

2-19-68
#14
#14-A ok.

Sta. 347+59.24			N. to shiner in T.P.	29.50'
N ¹ / ₄ post Sec. 30. Plain Twp.		48.61	S.W. to shiner in 24" Oak.	48.63'
T5N-R10E. RR. Spike BRASS Mon.		61.34	S.E. to shiner in 18" oak	61.34'
Δ = 0°-06' Rk.		58.97	S.W. to shiner in P.P.	58.93'
			shiner in 18" oak stump SE.	78.93'

2-19-68
#15