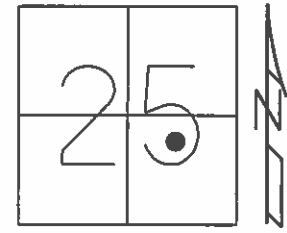


O.D.O.T. DISTRICT 2 SURVEY OFFICE (USE ONLY)

PERSONNEL _____ REFERENCE NO. 23 A SHEET 11 OF 22
 NOTES LEU DATE 05-28-2015 ROUTE US 6
 H.C. O'DONNELL WEATHER SUNNY COUNTY WOOD
 R.C. LEU TEMP. 70°F TOWNSHIP CENTER
 SECTION 25
 T 5 N R 11 E

TYPE MONUMENT SM. RR. SPIKE
~~ON SURFACE~~ - BELOW 0.3'
~~LEFT~~ - CL PAV'T - RIGHT 12.4'
12.4' TO RT EDGE PAVEMENT
 S.L.M. 995+79.31
 Grid: Northing: 619328.049 Easting: 1684154.358



RECORD:
 STA. 295+98.91
 654.89 WEST OF
 CENTER & FREEDOM
 TWP LINE

NOTE: DIST. REF23-REFA23= 25.36'

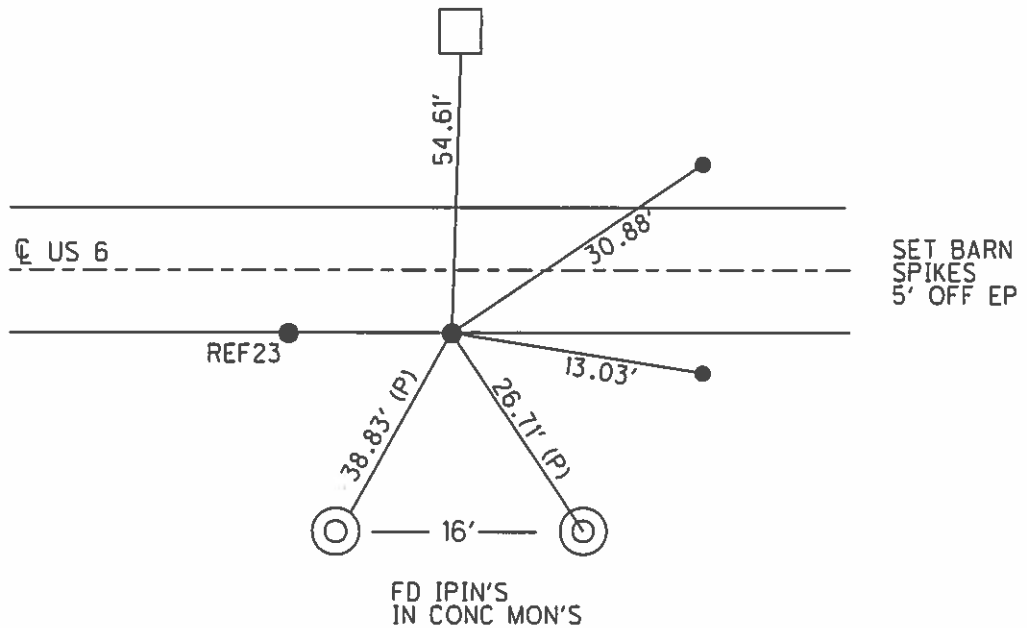
SET PK/WASHER
 12-20-97, SAH

FD PK SHANK
 GPS, REFA23
 8-27-13

FD SM. RR. SPIKE
 GPS, REFA23
 05-28-15

SET MAG/WASHER
 GPS, NEWREF23
 10-6-16, JLL

FD CUT "X" 5/5
 OF CONC FENCE POST
 LEADING EASTERLY



O.D.O.T. DISTRICT 2 SURVEY OFFICE

PERSONNEL

REFERENCE NO. 23

SHEET 6 OF 15

NOTES Huss

H.C. Cordes

R.C. VAN DUSEN

Cox

DATE 6-18-97

WEATHER Clwy - Fair

TEMP. 63°

ROUTE U.S. 6

COUNTY Wood

TOWNSHIP Center

SECTION 25

T. N R. 11 E.

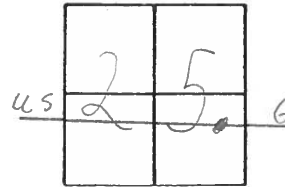
TYPE MONUMENT Both Pts Lg RR Spk

ON SURFACE - BELOW 1"

LEFT-☉ PAV'T. - RIGHT PTA-12.4 PTB 12.0

PTA 12.4
PTB 12.0
TO RT EDGE PAVEMENT

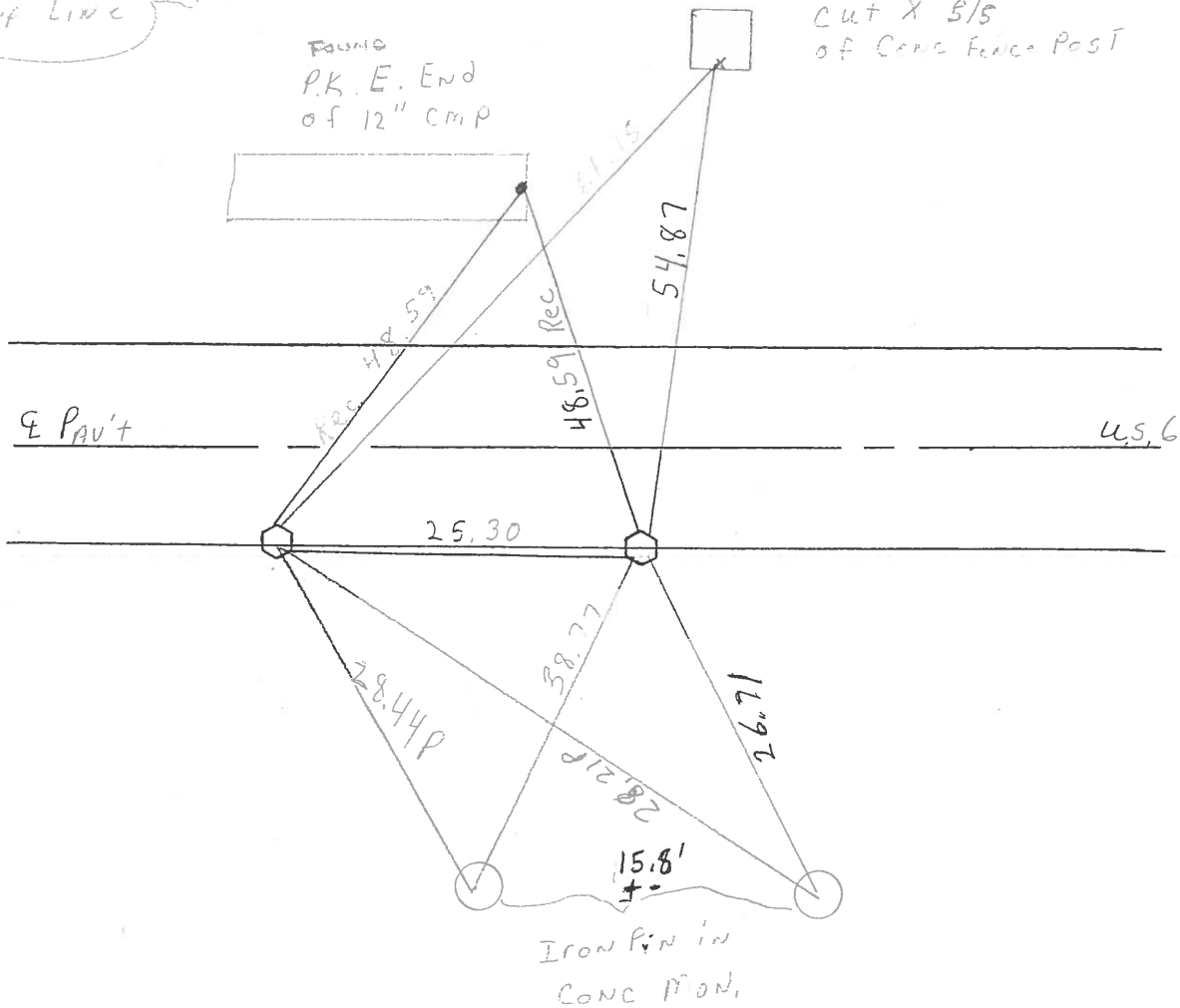
S.L. MK. PT-A-30+388 PT-B-30+395.70



Record
STA. 295+98.91
654.89 West of
Center + Freedom
Twp Line

Set PK/w
12/20/97
SAH

FOUND
cut X 5/5
of Conc Fence Post



County WOOD U.S. S.R. 6

Date 6-9-71

Township CENTER

Weather CLEAR

Section 25

Temp. 72°

T5N, R1E

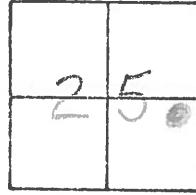
Personnel BURNSIDE

SMITH

BOWERS

HOLCOMBE

RDCCHINE



#23

STA. 295+98.91

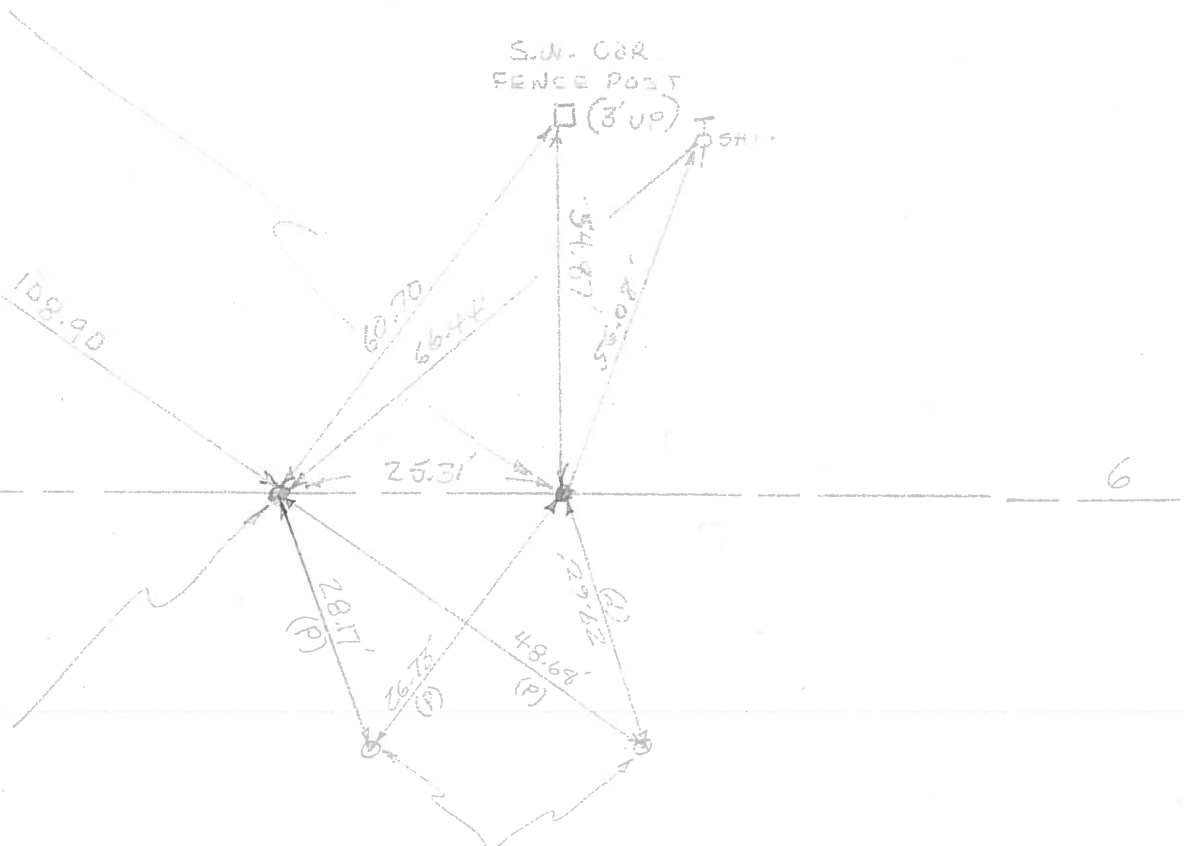
654.89' WEST OF CENTER
AND FREEDOM TWP. LINE
R.R. SPK.

S.W. COR
FENCE POST

(3' UP)

SHI.

SHI.



STA. 295+73.6

R.R. SPK.

IRON PIN IN CTR.
CONC. MONUMENT

PERSONNEL	TITLE	PERSONNEL	TITLE	COUNTY	WOOD	DATE	6-9-71
BURNSIDE		Pocchini		S. R.	U.S. 6	WEATHER	CLEAR
SMITH				SEC.		TEMP.	+72°
BOWERS							
HOLCOMBE							

DESCRIPTION	LEFT	CENTER LINE	RIGHT	JOB NO.
-------------	------	-------------	-------	---------



SET R.R. SPK'S
@ SURFACE
8-21-72

COPIED

23

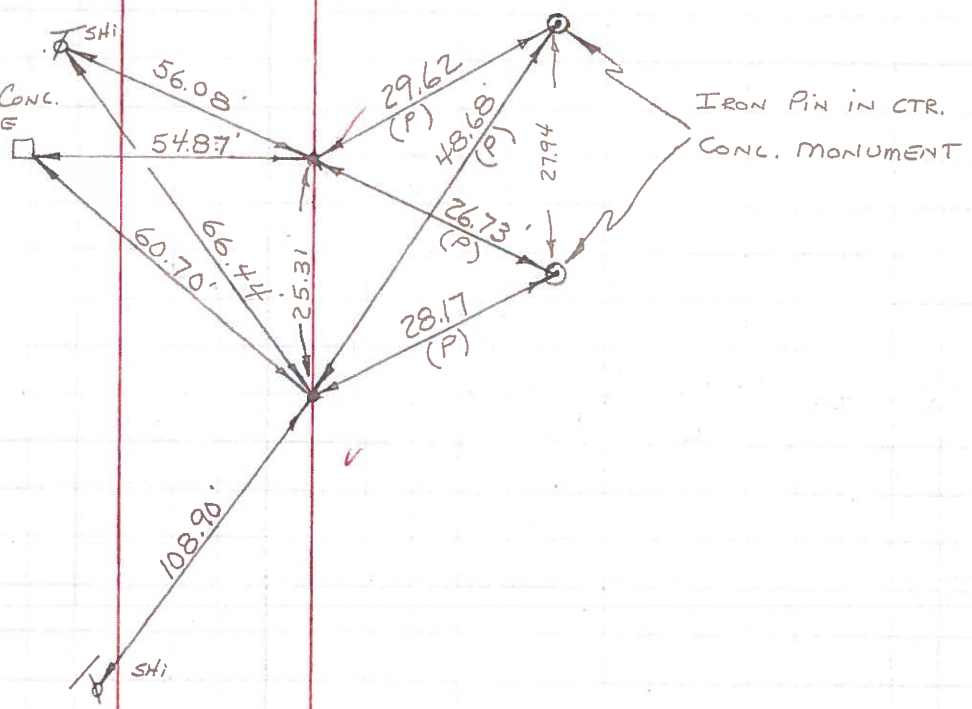
23A

STA. 295+98.91
654.89' WEST OF
FREEDOM CENTER
Twp. LINE T-S-N RITE
R.R. SPK. IN S. EDGE PAVE.
3 1/2" DEEP

STA. 295+73.6
680.2' WEST OF
FREEDOM CENTER
Twp. LINE T-S-N RITE
R.R. SPK. IN S. EDGE PAVE.
3 1/2" DEEP

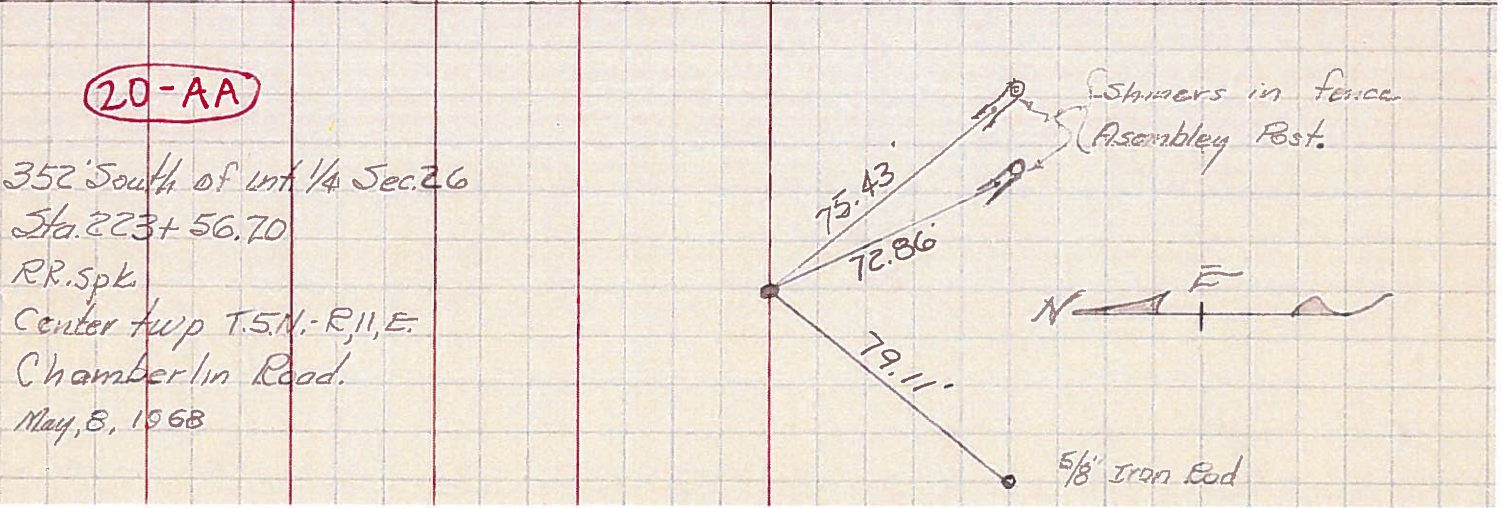
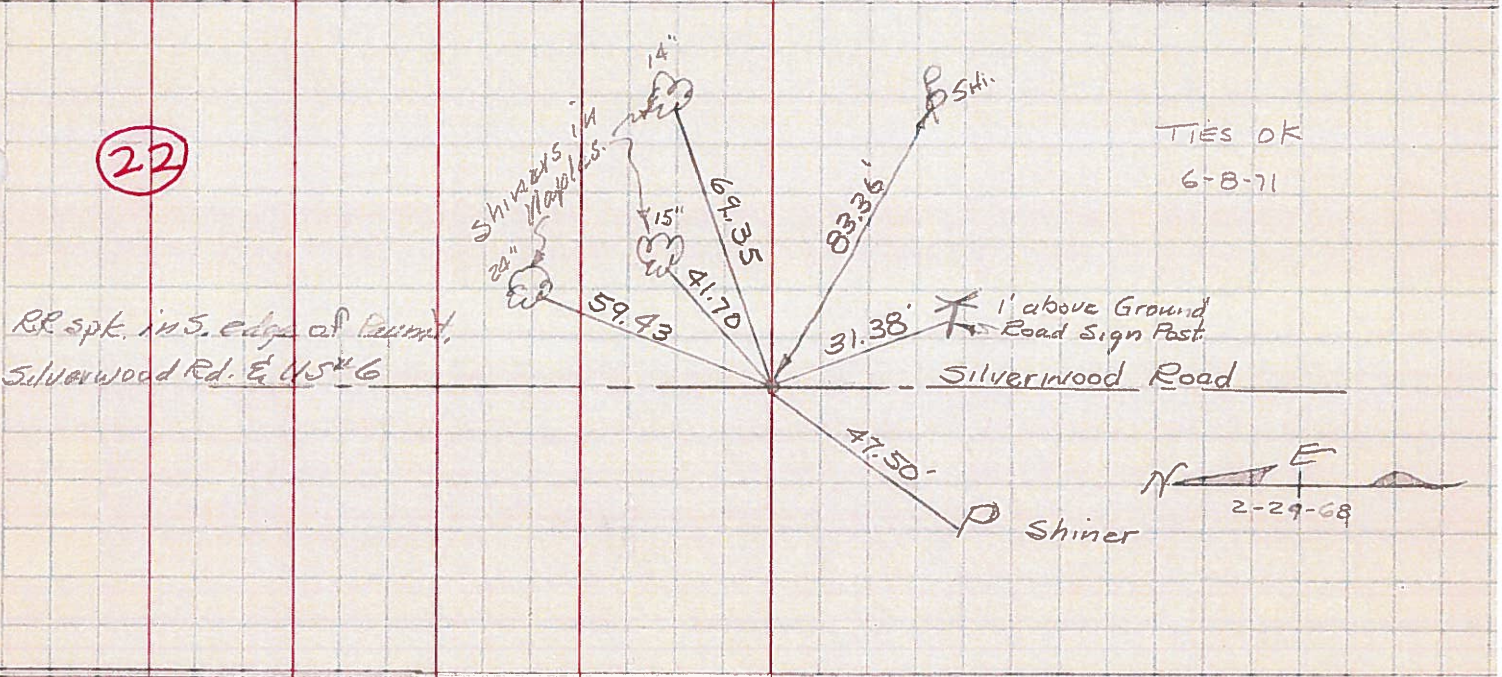
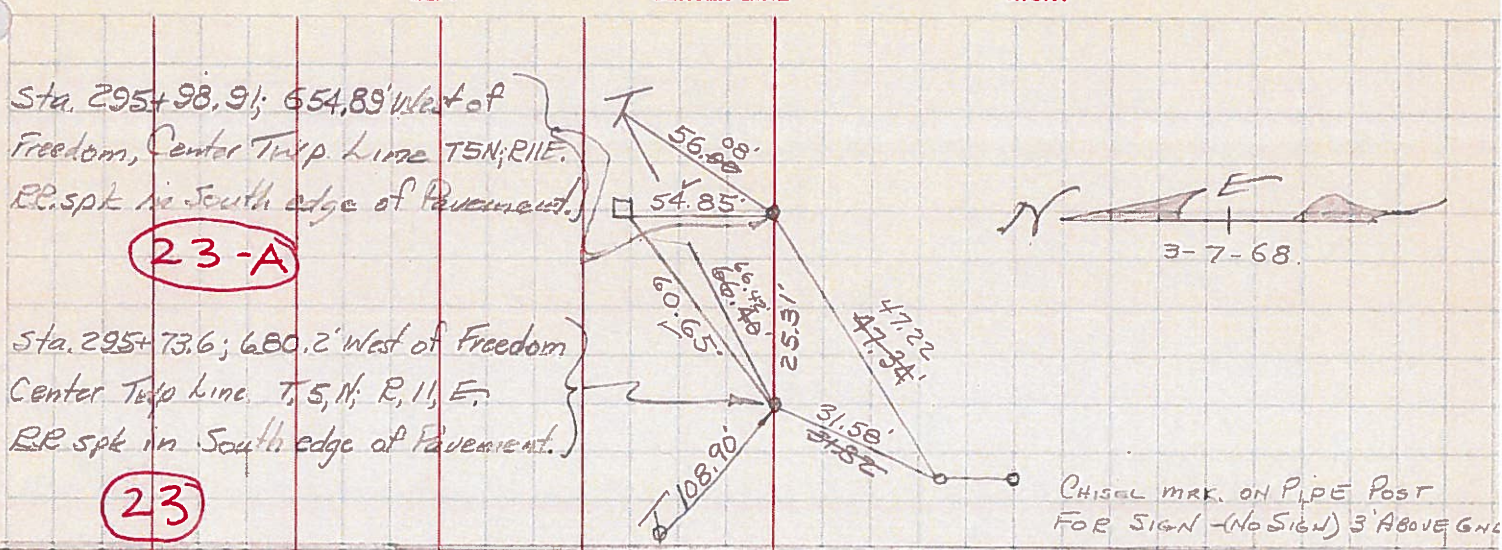
S.W. COR. CONC.
COR. FENCE
POST
(3' UP)

IRON PIN IN CTR.
CONC. MONUMENT



PERSONNEL	TITLE	PERSONNEL	TITLE	COUNTY	Wood	DATE	May 14, 1968
Marrison				S. R.	US#6	WEATHER	Cloudy-Shower
Bouras				SEC.		TEMP.	+70°
Hulcombe							
Kern							

DESCRIPTION Ties to Control points. JOB NO. _____



PERSONNEL TITLE PERSONNEL TITLE

COUNTY Wood

DATE OK 12-30-51

S. R. U.S.#6

WEATHER 8-24-62

SEC.

TEMP. 3-7-68

DESCRIPTION

LEFT

CENTER LINE

RIGHT

JOB NO.

Sta. 295+73.6
680.2' W. of freedom,
Center twp. line TEN-R11E.
Fd. R.R. Spk. S. Edge pumt.

23

#38

S. to wit. man. (broken off) 28.60
S.E. " " " " 45.2
S.E. to Shi. in maple 38.4
66.50' N.E. " " " T.P. 66.40 66.2
✓ N.N.E. To S.W. Cor. Fence Post 60.6
31.56' S.S.W. To N. pipe Sign Post 31.82
✓ E. To R.R. Spk. S. edge Pav't. 25.31

Sta. 295+98.91
654.89' W. of Freedom
center twp. line TEN-
R11E. Fd. R.R. Spk. S.
edge pumt.

23A

#39

S.W. to wit. man. (broken off) 38.8
S.E. " " " " 29.6
S. to 24" maple 26.4
56.10' N. N.E. to T.P. 56.5
47.15' S.W. To N. Pipe Sign Post 47.3
✓ N. To S.W. Cor. Conc. Fence Post 54.8

Sta. 302+53.8
Center Freedom twp
Line TEN-R11E,
Fd. iron pin over stone
S. edge of pumt.

24

#40

74.57 SSE. to Shiner in 24" oak 38.92
38.96' S.E. to wit. man. 39.26
S.W. " " " (broken off) 29.48
28.25 S. to ^{shiner} oak spk. in 36' oak 28.60 28.50
61.16 N.N.E. to Shi. in T.P. 61.22 61.42
Short Ties: { Shiner in S. edge Pavmt N.E. 6.00'
" " " " " N.W. 6.00'

Sta. 318+13.3
100 Rds. E. of W. line
Freedom twp. TEN-R12E
Fd. iron pin 3's. of S. Edge
Pumt.

25

#41

269
159.15
Short Ties: { S.S.E. to shiner in P.P. 36.52
N. " " " T.P. 58.92
E.S.E. to x on N. Wall G.B. (plumbed) 87.95
S.W. to Shi. in P.P. 159.30
N.E. to Shiner in S. Edge Pavmt 6.00'
N.W. " " " " 6.00'