

O.D.O.T. DISTRICT 2 SURVEY OFFICE (USE ONLY)

PERSONNEL

REFERENCE NO. 26

SHEET 14 OF 22

NOTES ASTON

DATE 5/10/23

ROUTE US 6

H.C. AUBLE

WEATHER SUNNY

COUNTY WOOD

R.C. NIESE

TEMP. 70°

TOWNSHIP FREEDOM

SECTION 30

DWG BY RHOADES

PID R/W, NO PID

T 5 N R 12 E

TYPE MONUMENT 1" IPIN

~~ON SURFACE~~ - BELOW 6"

OFFSET  $\phi$  PAVEMENT 15.6' ~~±~~ : RT

4.1 RT TO RT EDGE PAVEMENT

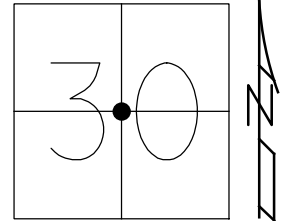
STATION: 1031+12.83

HORZ.DATUM: NAD83 2011

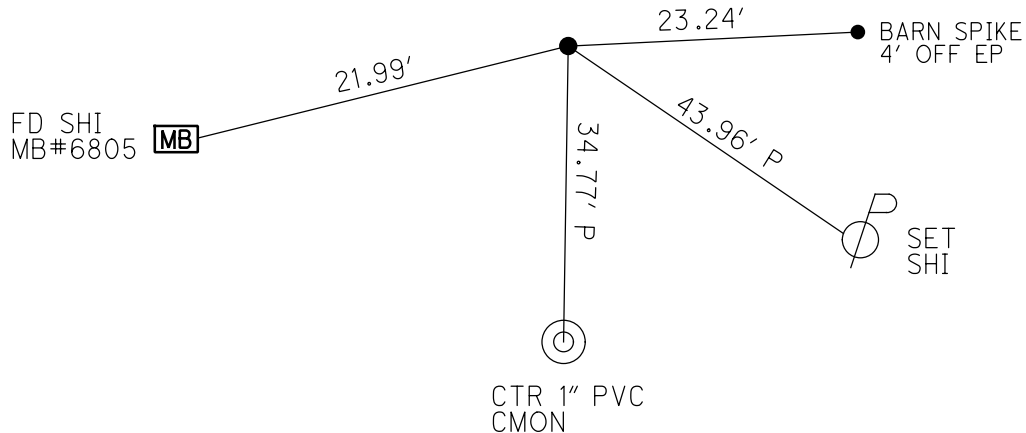
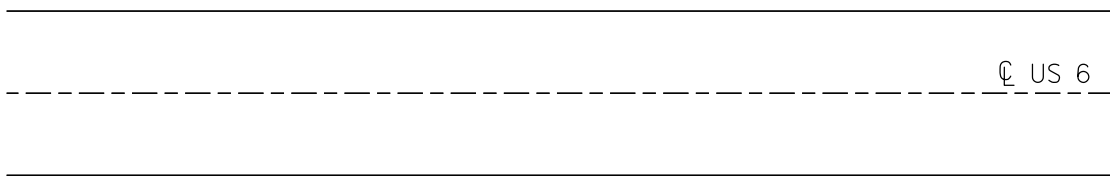
GEOID: NAVD88 2018

GRID: NORTHING: 619315.007

EASTING: 1687687.715



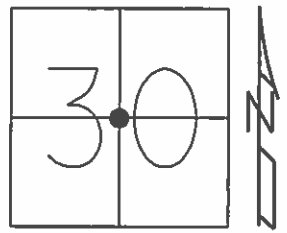
RECORD:  
 FD 1" IPIN  
 6-19-97, SAH  
 8-20-13  
 FD IPIN  
 REF26  
 8-27-13  
 FD 1" IPIN  
 6" DOWN  
 REF26  
 5-10-23, TDN



O.D.O.T. DISTRICT 2 SURVEY OFFICE (USE ONLY)

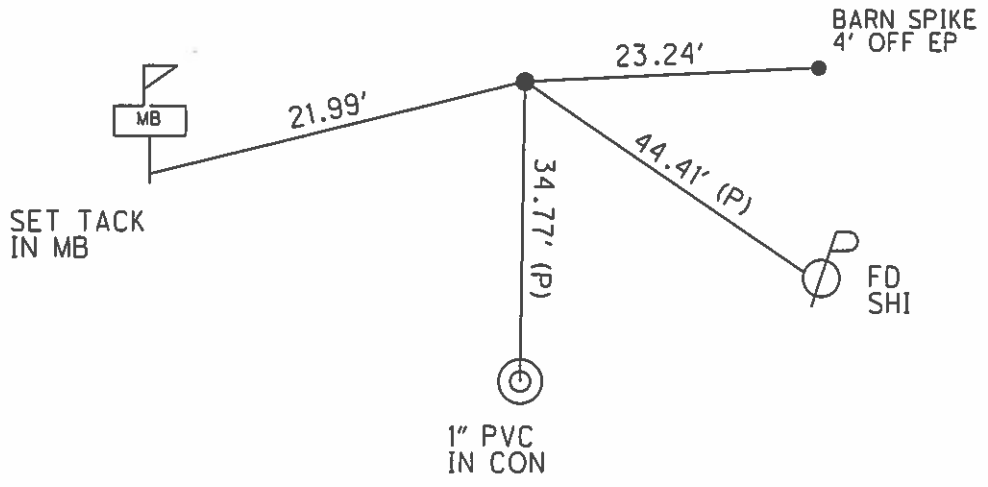
PERSONNEL \_\_\_\_\_ REFERENCE NO. 26 SHEET 14 OF 22  
 NOTES RHOADES DATE 5-29-15 ROUTE US 6  
 H.C. O'DONNELL WEATHER CLOUDY COUNTY WOOD  
 R.C. LEU TEMP. 67°F TOWNSHIP FREEDOM  
 \_\_\_\_\_ SECTION 30  
 \_\_\_\_\_ T 5 N R 12 E

TYPE MONUMENT 1" IPIN  
~~ON SURFACE~~ - BELOW 5"  
~~LEFT~~ - Q PAV'T - RIGHT 15.6'  
4.1' RT TO RT EDGE PAVEMENT  
 S.L.M. 1031+12.83



Grid: Northing: 619315.0117 Easting: 1687687.726

RECORD:  
 FD 1" IPIN  
 6-19-97, SAH  
  
 FD IRON PIN  
 8-20-13  
  
 GPS, REF26  
 8-27-13



O.D.O.T. DISTRICT 2 SURVEY OFFICE

PERSONNEL

REFERENCE NO. 26

SHEET 9 OF 15

NOTES S. HUSS

H.C. B. CORDES

DATE 6-19-97

ROUTE U.S. 6

R.C. B. VAUDUSEN

WEATHER Cloudy - Fog

COUNTY WOOD

A C. COX

TEMP. +70°F

TOWNSHIP FREEDOM

SECTION 30

T 5 N R 12 E

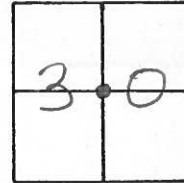
TYPE MONUMENT 1" IRON PIN

~~ON SURFACE~~ - BELOW 5"

~~LEFT - C PAV'T.~~ - RIGHT 15.6

4.1 RT <sup>OF</sup> ~~TO~~ RT EDGE PAVEMENT

~~S.L.M.~~ SLK 31+476.2



UNDISTURBED  
TIES UPDATED ON  
6-19-97  
SAH

Set SHI. N/S  
30" MAPLE



81.31

← PAV'T → U.S. 6



SET TACK

21.94

44.36



O.D.O.T. DISTRICT 2 SURVEY OFFICE

PERSONNEL

REFERENCE NO. 26

SHEET \_\_\_\_\_ OF \_\_\_\_\_

NOTES BARNHISEL

H.C. SOCKMAN

R.C. Loebke

Luce

DATE May 6, 1987

WEATHER Sunny

TEMP. +65°

ROUTE 45.6

COUNTY WOOD

TOWNSHIP Freedom

SECTION 30

T. 5 N. R. 12 E

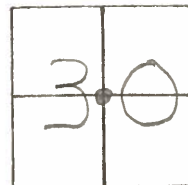
TYPE MONUMENT 1" IRON PIN

ON SURFACE - BELOW 5"

LEFT-<sub>OF</sub> C. PAV'T. - RIGHT 15.9

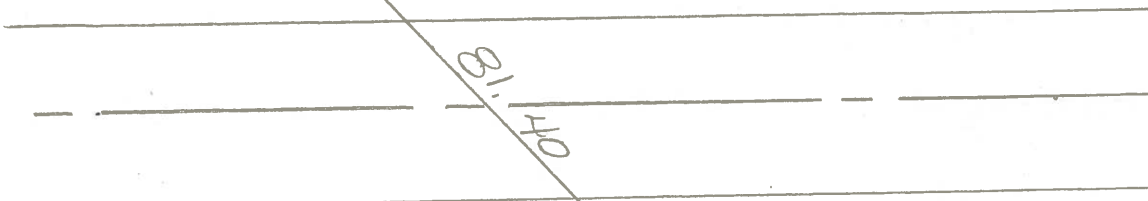
S.1 R+O R+ EDGE PAVEMENT

S.L.M. 1032+91



Not Covered  
1.6 Rt of Rt Ed  
6-9-87  
MDB

28" Maple  
SW/S



Set shi  
E/S

21.45

44.32



set shi  
NW/S

County WOOD <sup>U.6</sup> ~~S.R.~~ 6

Date 5-16-72

Township FREEDOM

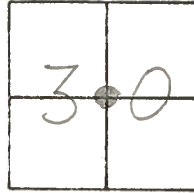
Weather CLOUDY

Section 30

Temp. 62°

T5N, R12E

Personnel BURNSIDE  
SMITH

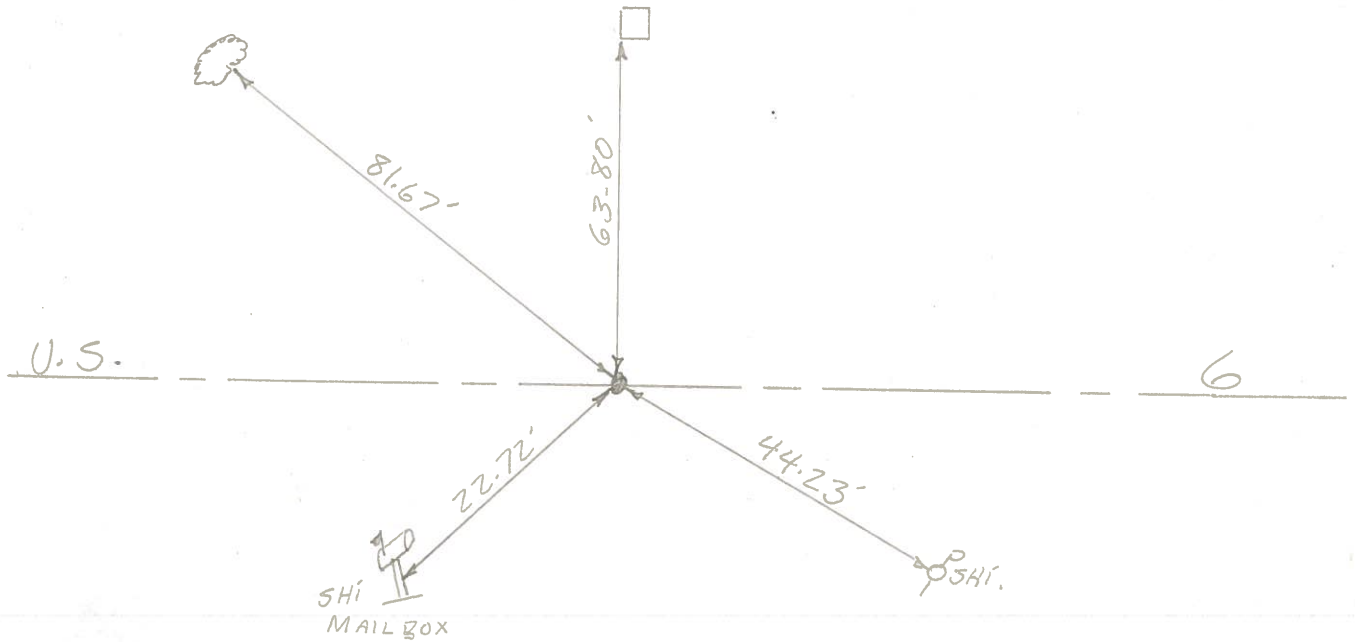


#26

INTERIOR 1/4 POST

IRON PIN OVER  
STONE 5' S. OF S.  
EDGE PAVEMENT

S.W. COR.  
CONC. COR. POST



PERSONNEL	TITLE	PERSONNEL	TITLE
BURNSIDE			
SMITH			

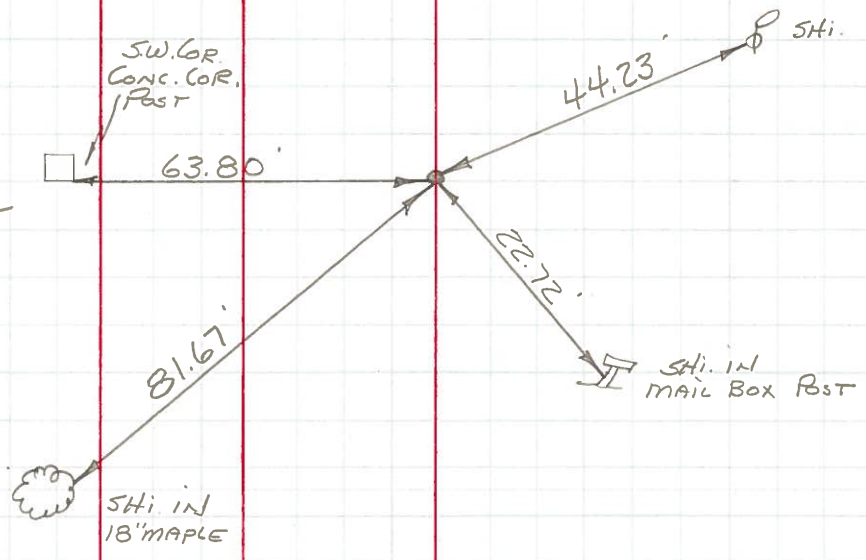
COUNTY Wood DATE 5-16-72  
 S. R. U.S. 6 WEATHER Cloudy  
 SEC. \_\_\_\_\_ TEMP. +62°

DESCRIPTION \_\_\_\_\_ LEFT \_\_\_\_\_ CENTER LINE \_\_\_\_\_ RIGHT \_\_\_\_\_ JOB NO. \_\_\_\_\_



COPIED  
 #26

INT. 1/4 Post SEC. 30  
 FREEDOM TWP.  
 T-5-N R-12E  
 IRON PIN OVER  
 STONE 5' S. OF S.  
 EDGE PAVEMENT





PERSONNEL TITLE PERSONNEL TITLE

COUNTY Wood

DATE OK 12-30-57

S.R. U.S. #6

WEATHER 8-24-62  
11-1-62

SEC. TEMP.

DESCRIPTION LEFT CENTER LINE RIGHT JOB NO.

Int. 1/4 Post Sec. 30 Freedom  
Twp. T5N-R12E Fd. Stone  
iron pin on top, 4.5' S. of  
edge Pmnt. 13.4 Rf. &  
Survey

44.25'

Shiner in P.P. S.E.  
S.W. Cor. Conc. Post N.  
Shiner in A. pole S.

44.18'

63.68'

42.25'

81.73

Shi. in 12" Sugar maple N.W.

82.13'

short  
ties

NE. Shiner in S. edge of Pmnt - 6.90'  
NW.

(26)

#42

Sta. 357+72.51  
E. 1/4 post Sec. 30 Freedom  
Twp. or W. 1/4 post sec. 29  
Freedom twp. Fd. Stone.  
17.22'S.

S.W. to shiner in P.P.  
N. " " " T.P.  
N.E. " " " P.P.

94.28

55.30'

72.30

Note! This stone is 8.9'  
N. of iron pipe set  
by J.L.C. Henry Co.  
Eng. office

#43

Sta. 370+65.95  
Shiner  
All Ref. from Plumbed  
line.

S.E. Cor. brick porch N.E.  
S.W. " " " N.N.E.  
Shiner in 6" Elm S.E.

69.06'

66.59'

50.86'

#44

Sta. 374+48.47  
Shiner  
Int. S.H. 273

N.E. 12" maple  
N.W. 20" maple  
S.E. shiner in T.P.

55.88

88.51'

81.20'

#45