

O.D.O.T. DISTRICT 2 SURVEY OFFICE (USE ONLY)

PERSONNEL

REFERENCE NO. 30 A

SHEET 3 OF 14

NOTES LEU
 H.C. LEU
 R.C. MILLER

DATE 9/17/20
 WEATHER PTLY CLOUDY
 TEMP. 79°

ROUTE US 6
 COUNTY WOOD
 TOWNSHIP FREEDOM
 SECTION 28
 T 5 N R 12 E

DWG BY AUBLE PID 101242

TYPE MONUMENT SM.R.R.SPIKE

~~ON SURFACE~~ - BELOW 3"

OFFSET \odot PAVEMENT 0.5' LT : ~~RT~~

12.5' TO RT EDGE PAVEMENT

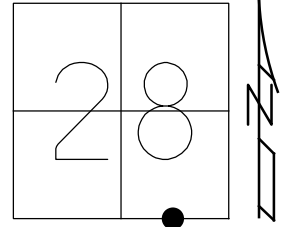
STATION: 1159+20.04

HORZ.DATUM: NAD83 2011

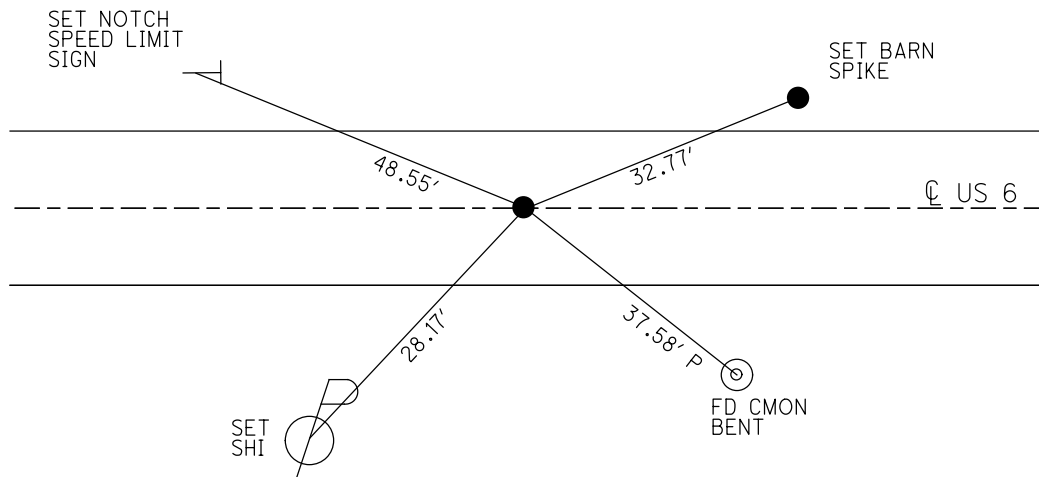
GEOID: NAVD88 2012A

GRID: NORTHING: 616779.584

EASTING: 1699545.113



RECORD:
 FD R.R.SPIKE
 7/19/94
 SET P.K./WASHER
 10-3-94, CL
 FD SM.R.R.SPIKE
 9-12-18, JLL
 SET MAG/WASHER
 9-29-20, JFO



O.D.O.T. DISTRICT 2 SURVEY OFFICE

PERSONNEL

REFERENCE NO. 30-A

SHEET 4 OF 10

NOTES LOHRKE

H.C. RIPPLE

R.C. BARROU

DATE 7-19-94

WEATHER FAIR

TEMP. +78

ROUTE U.S. 6

COUNTY WOOD

TOWNSHIP FREEDOM

SECTION 28

T S N R E

TYPE MONUMENT Sm. R.R. Spike

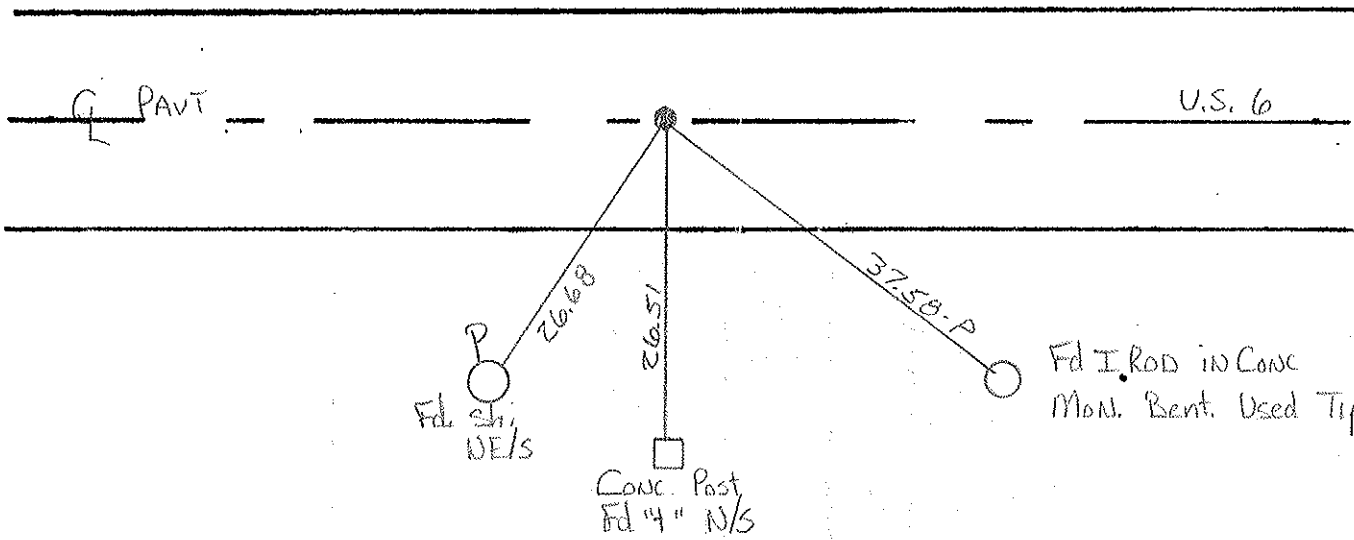
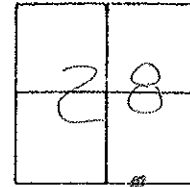
Set P.K./WASHER
10-3-94

ON SURFACE - BELOW Yes

LEFT - ☉ PAV'T. - RIGHT Yes

R.S. TO RT EDGE PAVEMENT

S.L.M. 1161+74



County Wood S.R. U.S. Co

Date 3-20-85

Township Freedom

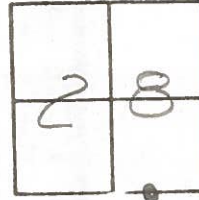
Weather Clear

Section 28

Temp. 40°

T5N, R2E

Personnel Hoffman



Loehrke H.C.

Barnhisel R.C.

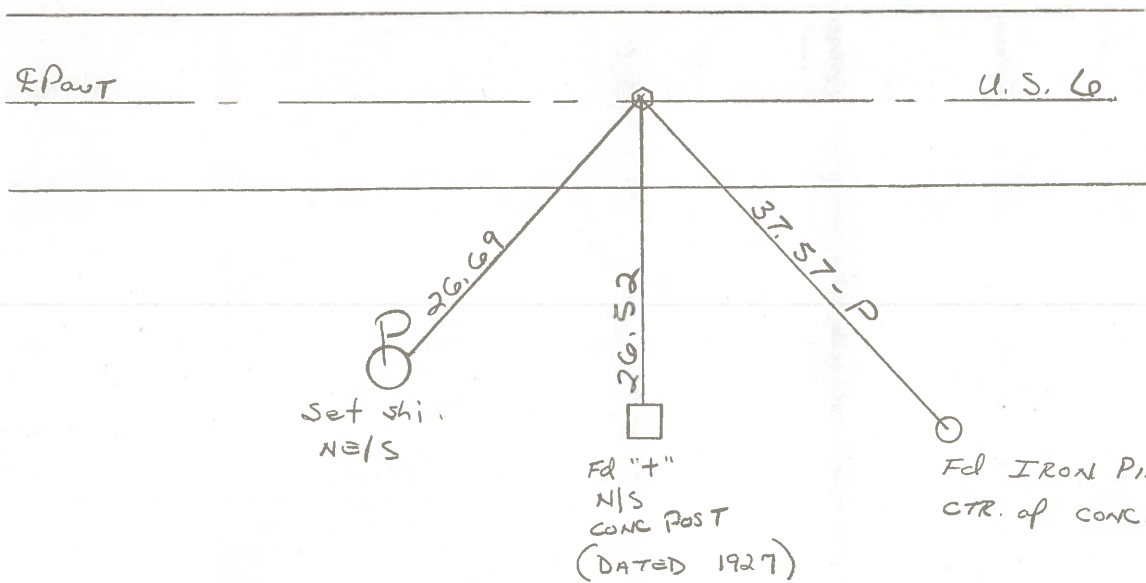
30-A

Fd small R.R. spk @ surface
on E Part
10.5' to Rt. F.P.

SLM = 1161 + 92

Set small R.R. spk
8-30-85 SGN

RECORD:
476 + 86.28



County WOOD S.R. 6

Date 5-25-72

Township FREEDOM

Weather CLEAR

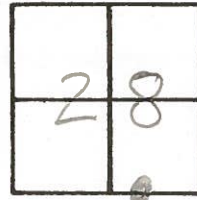
Section 28

Temp. 82°

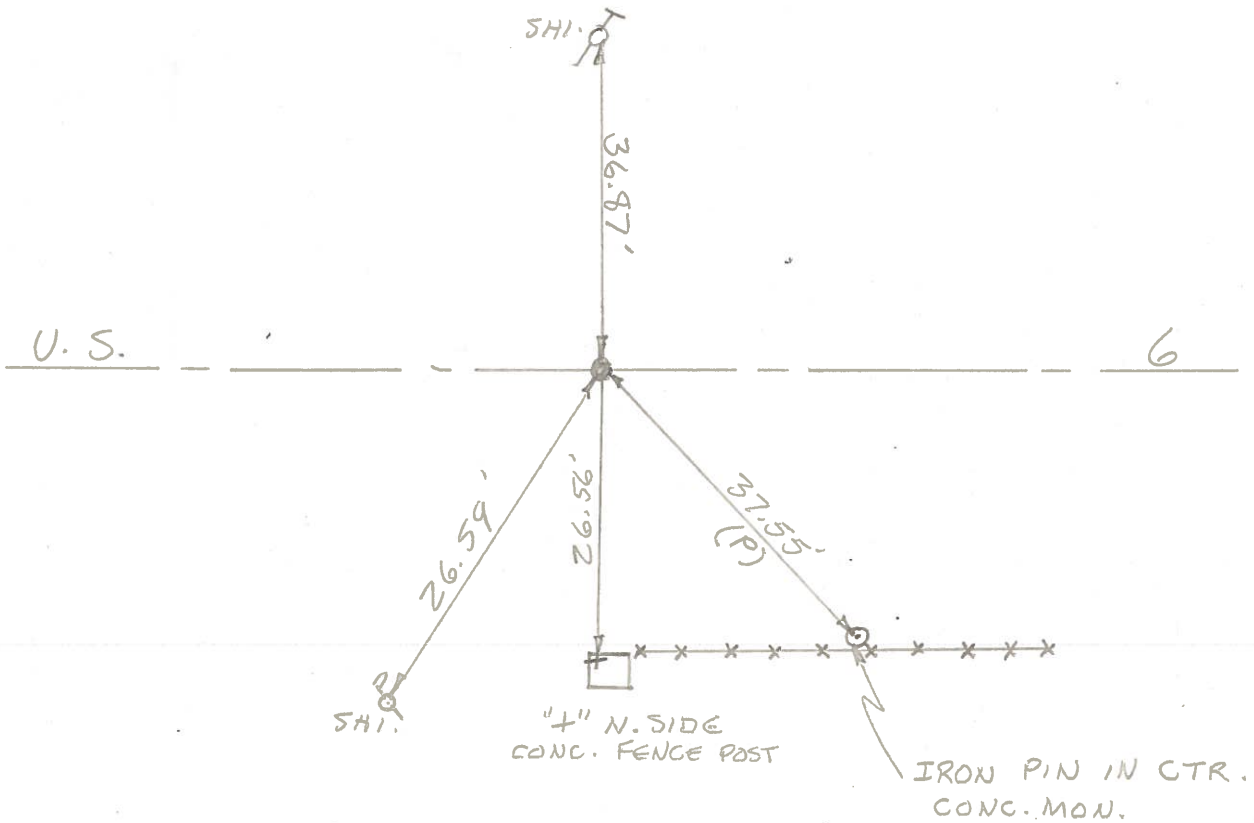
T5N, R12E

Personnel BURNSIDE

SMITH



30-A
 STA. 476+86.28
 P.K. NAIL



PERSONNEL	TITLE	PERSONNEL	TITLE
BURNSIDE			
SMITH			

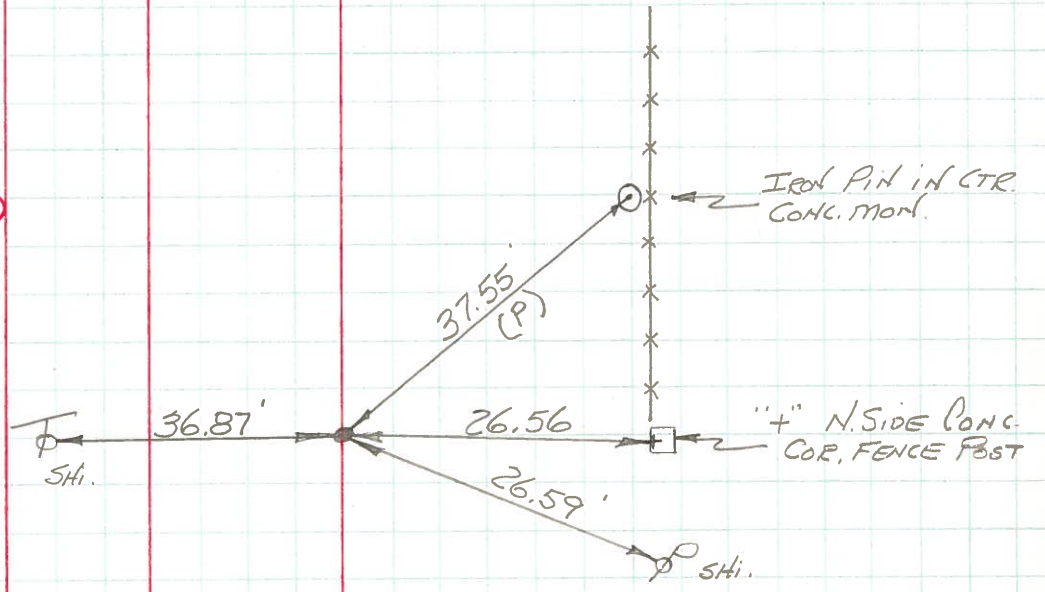
COUNTY Wood DATE 5-25-72
 S. R. U.S.#6 WEATHER CLEAR
 SEC. _____ TEMP. +82°

DESCRIPTION _____ LEFT _____ CENTER LINE _____ RIGHT _____ JOB NO. _____



COPIED
 #30-A

STA. 476+86.28
 P.K. NAIL



PERSONNEL

TITLE

PERSONNEL

TITLE

COUNTY Wood.

DATE May, 15, 1968

Morrison

Bowers

Holcombe

Vern.

S. R. 115#6

WEATHER Pt Cloudy.

SEC.

TEMP. +84°

DESCRIPTION

Ties to Control Points.

JOB NO.

LEFT

CENTER LINE

RIGHT

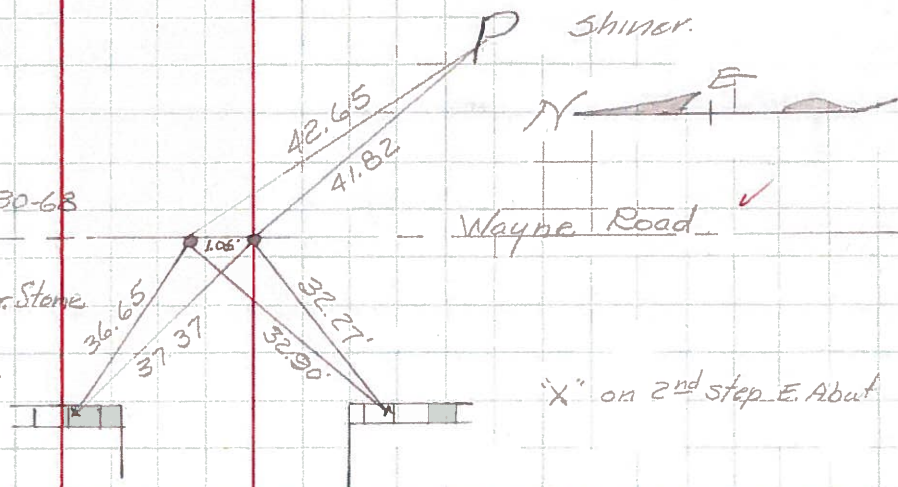
31

Sta. 490+09.65

Set P.K. Nails from ties 4-30-68

P.I. is 106' W. of Cor. Stone
P.K. to the south is over Cor. Stone

"X" on 2nd Step E. Abut.



Sta. 476+86.28

P.K. Nail.

Shiner

36.90'

26.40'

26.59'

"X" in face of Cons. Cor Post.



30-A

Sta. 463+60.82

Set P.K. Nail @ Shiner

S. 1/4 Sec #28

Freedom Twp.

Shiner

45.92'

37.80'

99.85'

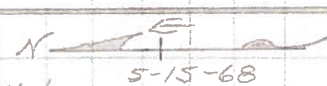
P Spike

N.E. Cor of House foundation

Garage

Breez Way.

House



30

Sta. 457+38.63

P.K. Nail
(Top of Hill)

Shiner

50.02'

75.66'

93.03'

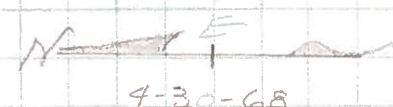
91.51'

P Shiner

N.W. Cor of Bottom step.

Frame Res.

N.W. Cor House foundation.



29-A

PERSONNEL TITLE PERSONNEL TITLE

COUNTY Wood

DATE

S.R. U.S. #6

WEATHER

SEC.

TEMP.

DESCRIPTION

LEFT

CENTER LINE

RIGHT

JOB NO.

Sta. 463+60.82		5-4-60	10" walnut	N.E.	50.62
Shiner over mon. 5/4			12" wild cherry	N.W.	34.42
post sec. 28			F.P.	S.E.	38.23
(30)	#53-A		spk. P. Pole S		37.80
			Shiner T. Pole N.W.		45.92
			N.E. Cor. Conc. Foundation of Ho SW		99.85
Sta. 476+86.28		5-4-60	C.B. N.N.E.	Gene.	23.35
P.K. nail			B.R. Post S.S.E.	Gene.	27.0
OK 12-13-57			X in Conc. Post S.		26.40
(30-A)	#54		Shiner in P.P.S.S.W.	26.59	26.55
			Shiner in T.P. N.		36.90
Sta. 490+09.65			X N. end E. abut.		37.37
Cor. Stone. P.L. P.P. spike			X S. end E. abut.		32.27
is 1.06' N. set P.K. nail's from 28		5-4-60	Shiner in T.P. S.E.		41.82
4-30-68			X N. end E. abut.		36.65
WAYNE ROAD	#55		X S. end E. abut.		32.90
(31)			Shiner in T.P. S.E.		42.65
P.L. Sta. 358+85.30			S.W. Cor. Garage E.		109.6
Iron pin			P.P. E.N.E.		40.95
(Did not find 12-30-57)			S.E. Cor. tool shed N.E.		50.5
(1st P.L. EAST OF)		5-4-60	S.W. Cor. tool shed N.N.E.		35.0
WAYNE ROAD	#56		S.W. Cor. of W. side of Barn N.		115.7
(32)			Pole N.N.W.		10.7
			X in N.E. Cor. of N. Wall, of C.B. S.W.		38.1