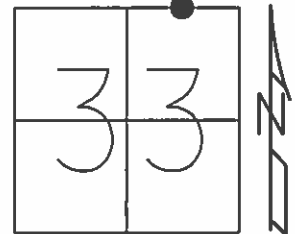


O.D.O.T. DISTRICT 2 SURVEY OFFICE (USE ONLY)

PERSONNEL \_\_\_\_\_ REFERENCE NO. 23 A SHEET 21 OF 26  
 NOTES HOFFMAN DATE 6/17/87 ROUTE SR 18  
 H.C. LOEHRKE WEATHER CLEAR COUNTY WOOD  
 R.C. BARNHISEL TEMP. 80° TOWNSHIP HENRY  
 \_\_\_\_\_ SOCKMAN \_\_\_\_\_ SECTION 33  
 \_\_\_\_\_ T 3 N R 10 E

TYPE MONUMENT R.R.SPIKE  
 ON SURFACE - ~~BELOW~~ ON \_\_\_\_\_  
~~LEFT~~ - CL PAV'T - RIGHT 1.3'  
7.0' TO RT EDGE PAVEMENT  
 S.L.M. 541+76.39

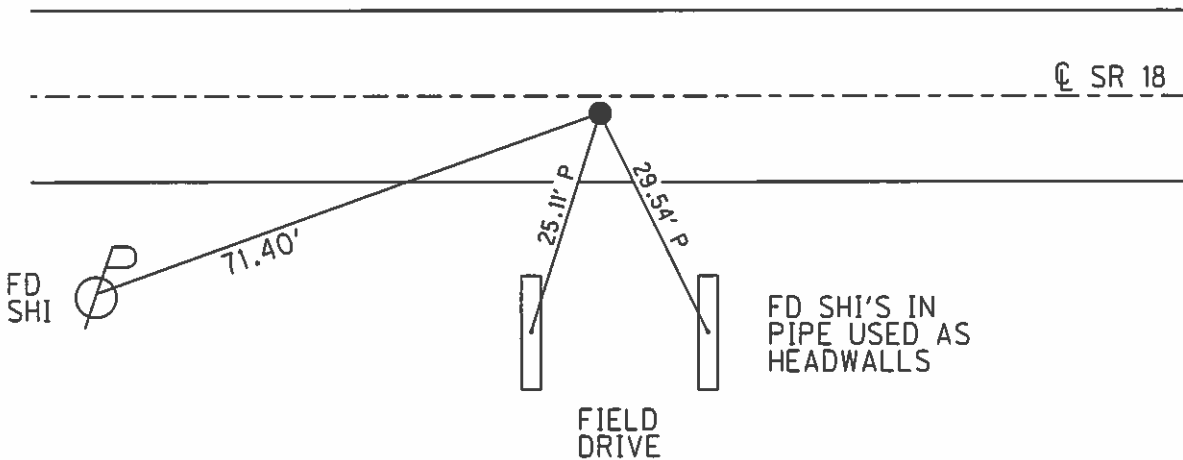


Grid: Northing: 554770.338 Easting: 1634833.748

FD R.R.SPIKE  
 AT SURFACE  
 6/17/87, CL

SET P.K./WASHER  
 7/21/87, CL

FD P.K./WASHER  
 6/16/10  
 GPS, SVA23  
 6/17/10, MC



O.D.O.T. DISTRICT 2 SURVEY OFFICE

PERSONNEL

REFERENCE NO. 23A

SHEET 9 OF       

NOTES HOFFMAN

H.C. LOHRKE

R.C. BAERTHISCH

SOCKMAN

DATE 6-17-87

WEATHER CLEAR

TEMP. 80°

ROUTE SR 18

COUNTY WOOD

TOWNSHIP HENRY

SECTION 28

T. 3 N. R. 10 E.

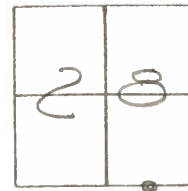
TYPE MONUMENT RR SPIKE

ON SURFACE - ~~BELOW~~ YES

~~LEFT - C~~ PAV'T. - RIGHT 1.3

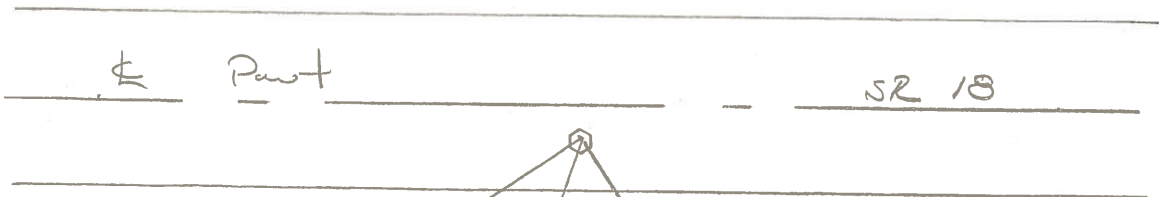
7.0 TO RT EDGE PAVEMENT

S.L.M. 542+68



RR SPIKE ORIGIN UNKNOWN  
APPARENT  $\frac{1}{2}$   $\frac{1}{2}$  CORNER

SET P.K./WASHER  
7-21-87  
C.L.



Set SHINERS  
TOP center  
OLD  $\phi$  USED  
FOR HIGHWALL