

O.D.O.T. DISTRICT 2 SURVEY OFFICE (USE ONLY)

PERSONNEL

REFERENCE NO. 7 A

SHEET 8 OF 15

NOTES RHOADES  
 H.C. AUBLE  
 R.C. MAHLER  
O'DONNELL

DATE 6-12-20  
 WEATHER SUNNY  
 TEMP. 66°F

ROUTE SR 18  
 COUNTY WOOD  
 TOWNSHIP JACKSON  
 SECTION 21

DWG BY MAHLER PID PAVE TRAIN

T 3 N R 9 E

TYPE MONUMENT MAG/WASHER

ON SURFACE - ~~BELOW~~ ON

OFFSET 1.1' TO RT EDGE PAVEMENT 8.4' RT : RT

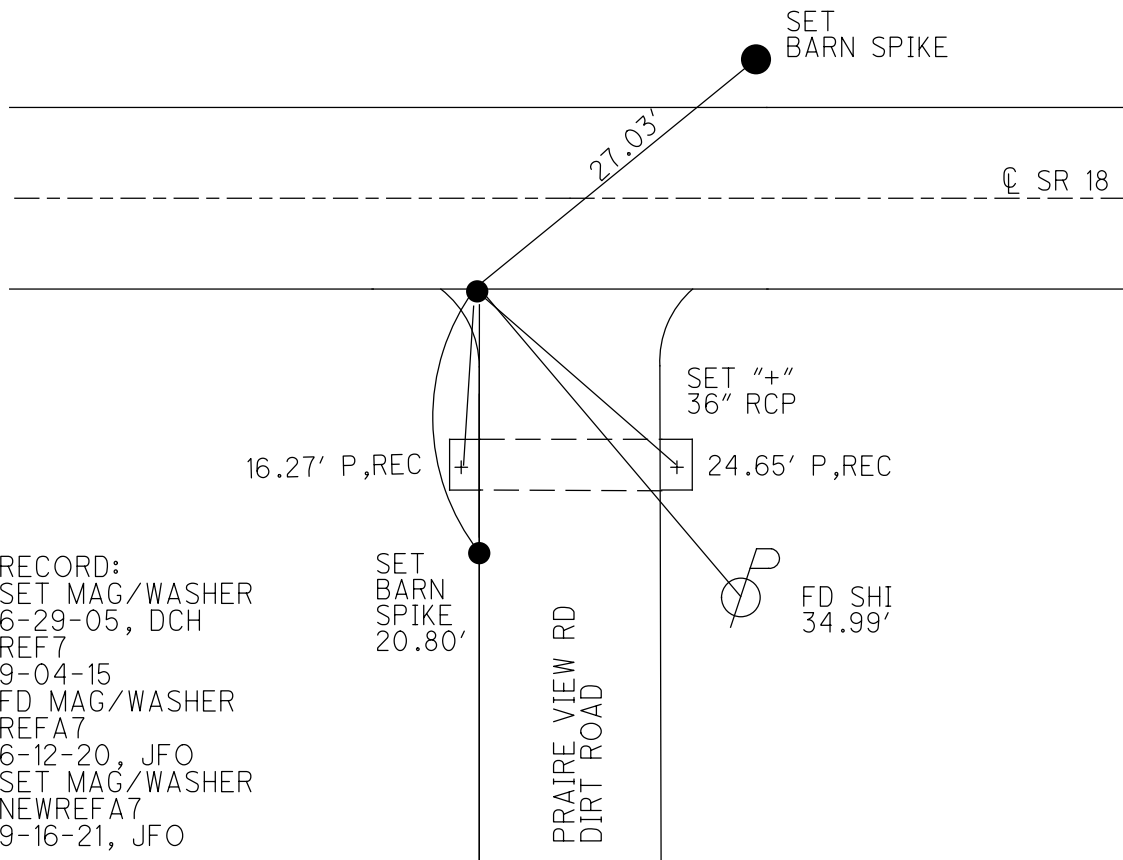
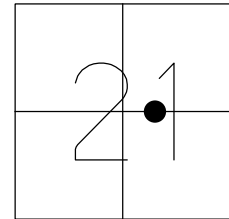
STATION: 148+80

HORIZ.DATUM: NAD83 (2011)

GEOID: NAVD88-2012A

GRID: NORTHING: 563070.560

EASTING: 1603182.738



RECORD:  
 SET MAG/WASHER  
 6-29-05, DCH  
 REF 7  
 9-04-15  
 FD MAG/WASHER  
 REFA 7  
 6-12-20, JFO  
 SET MAG/WASHER  
 NEWREFA 7  
 9-16-21, JFO

O.D.O.T. DISTRICT 2 SURVEY OFFICE (USE ONLY)

PERSONNEL \_\_\_\_\_ REFERENCE NO. 7 A SHEET 8 OF 13  
 NOTES RHOADES DATE 6-12-20 ROUTE SR 18  
 H.C. AUBLE WEATHER SUNNY COUNTY WOOD  
 R.C. MAHLER TEMP. 66°F TOWNSHIP JACKSON  
O'DONNELL SECTION 21  
 DWG BY MAHLER PID PAVE TRAIN T 3 N R 9 E

TYPE MONUMENT MAG/WASHER

ON SURFACE - ~~BELOW~~ ON

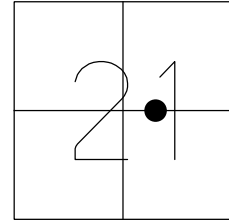
OFFSET  $\text{C}$  PAVEMENT 8.4', 9.0' W OF  $\text{C}$  DIRT RD  $\text{RT}$  : RT

1.1' TO RT EDGE PAVEMENT

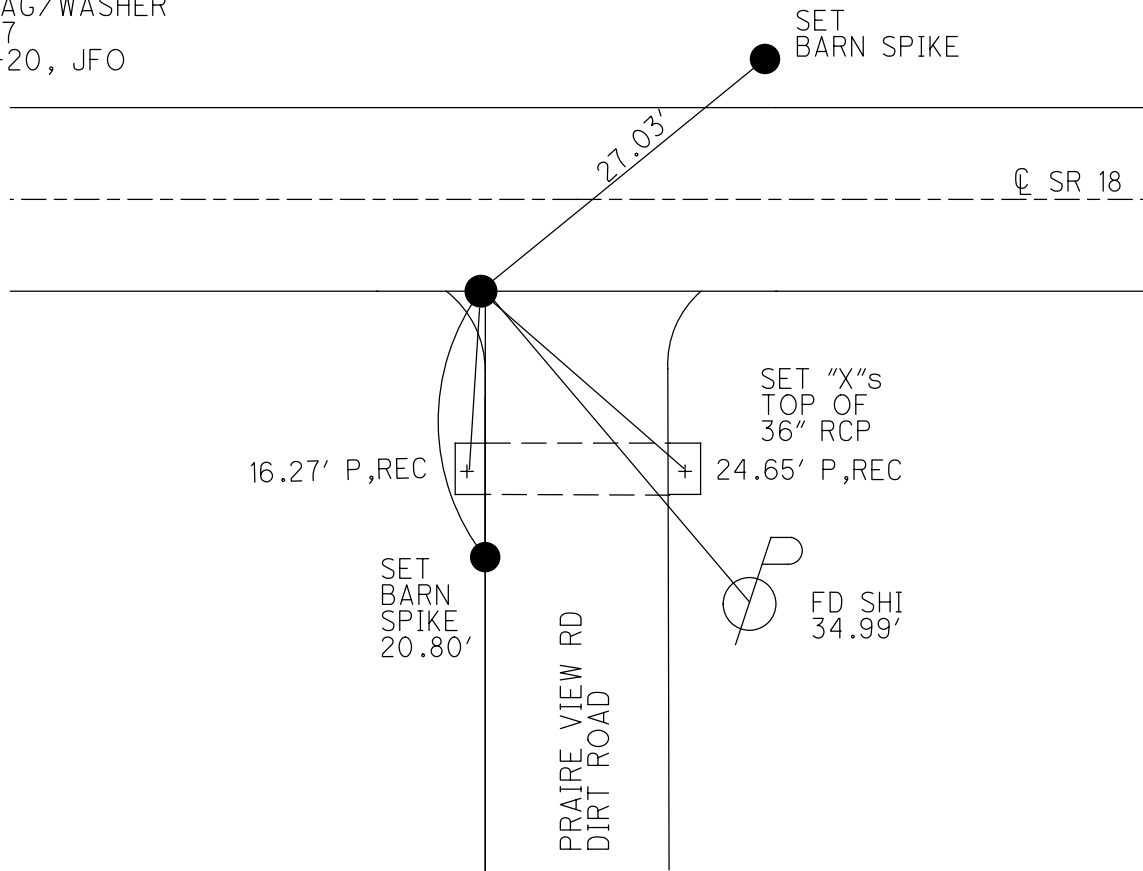
STATION: 148+80

HORZ.DATUM: NAD83 (2011) GEOID: NAVD88-2012A

GRID: NORTHING: 563070.602 EASTING: 1603182.754



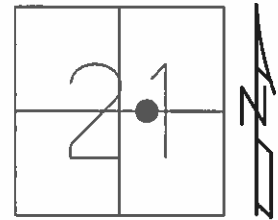
RECORD:  
 SET MAG/WASHER  
 6-29-05, DCH  
 REF7  
 9-04-15  
 FD MAG/WASHER  
 REFA7  
 6-12-20, JFO



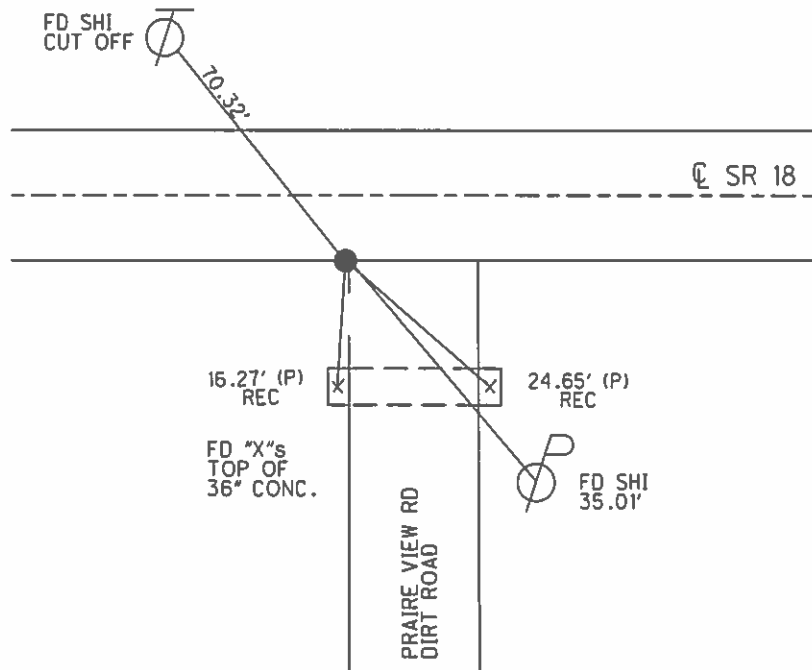
**O.D.O.T. DISTRICT 2 SURVEY OFFICE (USE ONLY)**

PERSONNEL \_\_\_\_\_ REFERENCE NO. 7 A SHEET 8 OF 13  
 NOTES LEU DATE 09-04-15 ROUTE SR 18  
 H.C. HOMAN WEATHER PTLY CLOUDY COUNTY WOOD  
 R.C. LEU TEMP. 78°F TOWNSHIP JACKSON  
 \_\_\_\_\_ SECTION 21  
 \_\_\_\_\_ T 3 N R 9 E

TYPE MONUMENT \_\_\_\_\_ MAG/WASHER \_\_\_\_\_  
 ON SURFACE - ~~BELOW~~ \_\_\_\_\_ ON \_\_\_\_\_  
~~LEFT~~ -  $\text{\textcircled{C}}$  PAV'T - RIGHT 8.4', 9.0' W OF  $\text{\textcircled{C}}$  DIRT RD  
1.1' TO RT. EDGE PAVEMENT  
 S.L.M. 148+80  
 GRID: NORTHING: 563070.47 EASTING: 1603182.73



RECORD:  
 SET MAG/WASHER  
 6-29-05, DCH  
 GPS, REF7  
 09-04-15



O.D.O.T. DISTRICT 2 SURVEY OFFICE

PERSONNEL

REFERENCE NO. 7-A

SHEET 7 OF 14

NOTES STEVE

DATE 4-14-05

ROUTE S.R. 18

H.C. JOE

WEATHER CLOUDY

COUNTY WOOD

R.C. DUANE

TEMP. 58°

TOWNSHIP JACKSON

SECTION 21

T 3 N R 9 E

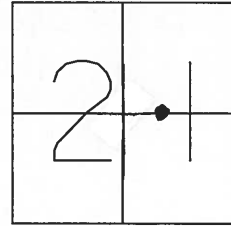
TYPE MONUMENT PK & WASHER

ON SURFACE - ~~BELOW~~ ON

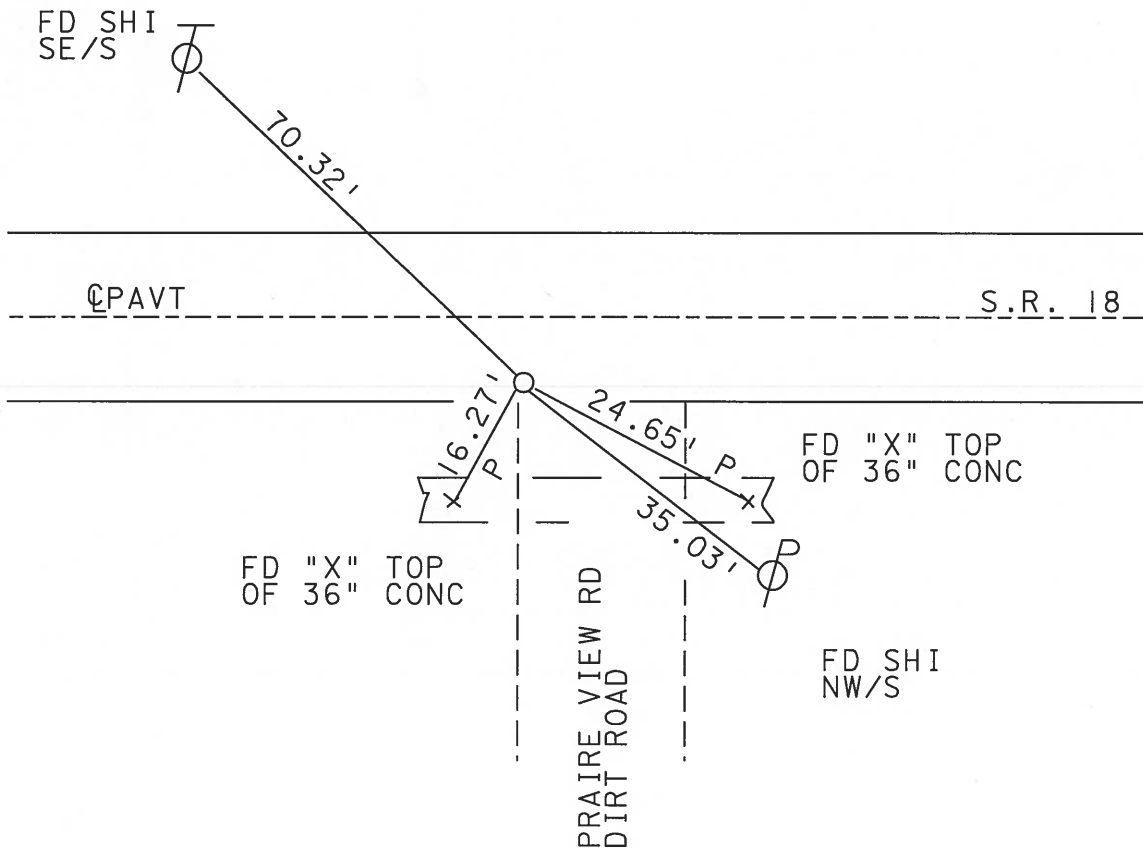
~~LEFT - C PAVT~~ - RIGHT 8.4'

1.1' TO RT EDGE PAVEMENT

S.L.M. 148+80; 9.0' W OF C DIRT RD



RESET MAG & WASHER  
6-29-05  
DCH



# O.D.O.T. DISTRICT 2 SURVEY OFFICE

PERSONNEL

REFERENCE NO. 7-A

SHEET      OF     

NOTES BAHNISEL

H.C. Locheke

DATE 3-19-91

ROUTE 18

R.C. HOFFMAN

WEATHER Cloudy - Windy

COUNTY Wood

TEMP. +45°

TOWNSHIP Jackson

SECTION 21

T 3 N R 9 E

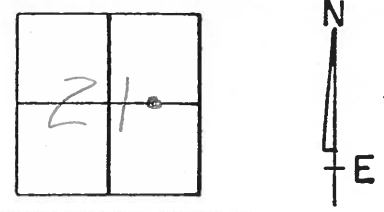
TYPE MONUMENT P.K. & Washer

ON SURFACE - BELOW yes

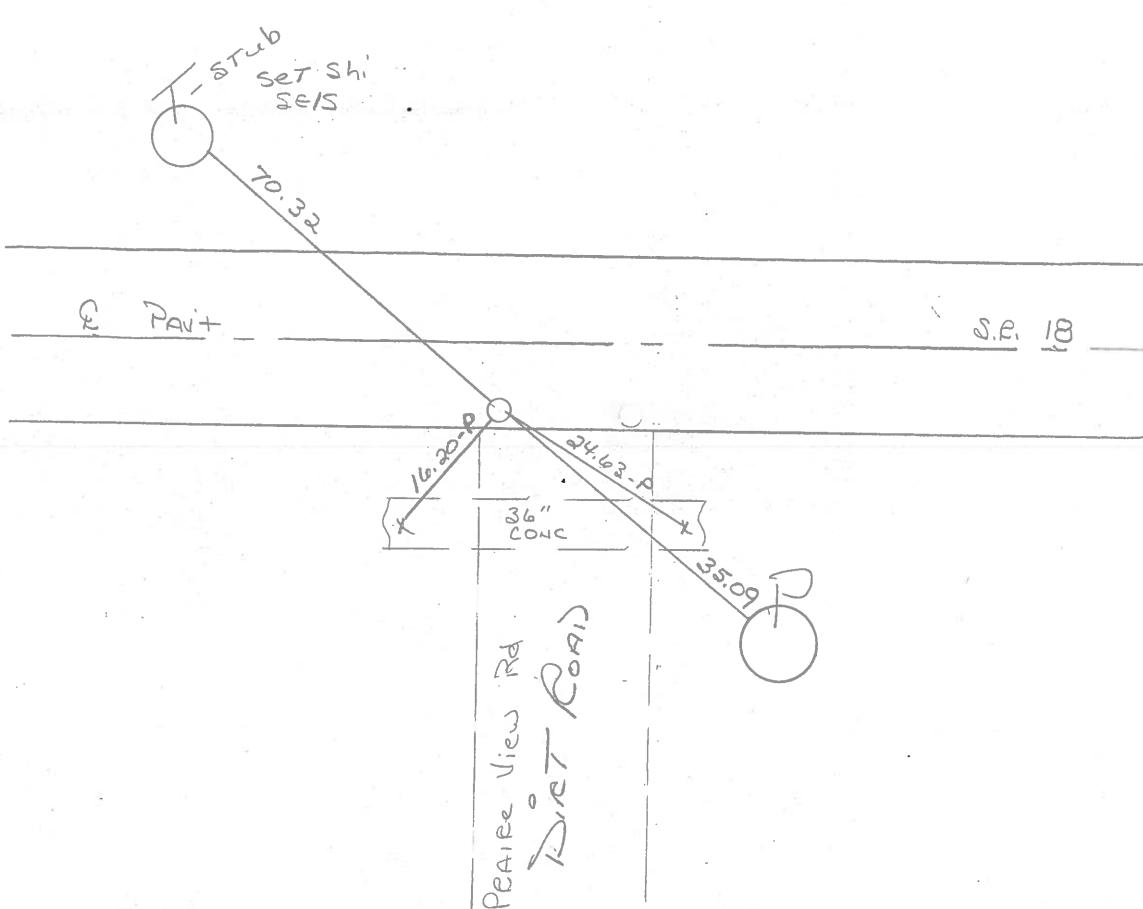
LEFT - & PAV'T. - RIGHT 9.0

1.5 TO RT EDGE PAVEMENT

S.L.M. 148 + 78 9.0 W. OF & DIRT RD



SET P.K./WASHER  
 4-17-91  
 MB



County Wood S.R. 18

Date 11-28-83

Township Jackson

Weather Pt. Cloudy, Windy

Section 21

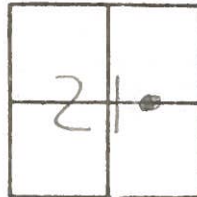
Temp. +50°

T3N, R9E

Personnel Barnhisel

Householder

Loehrke



Fd stone 14" deep

@ S.E.P, S.R. 18

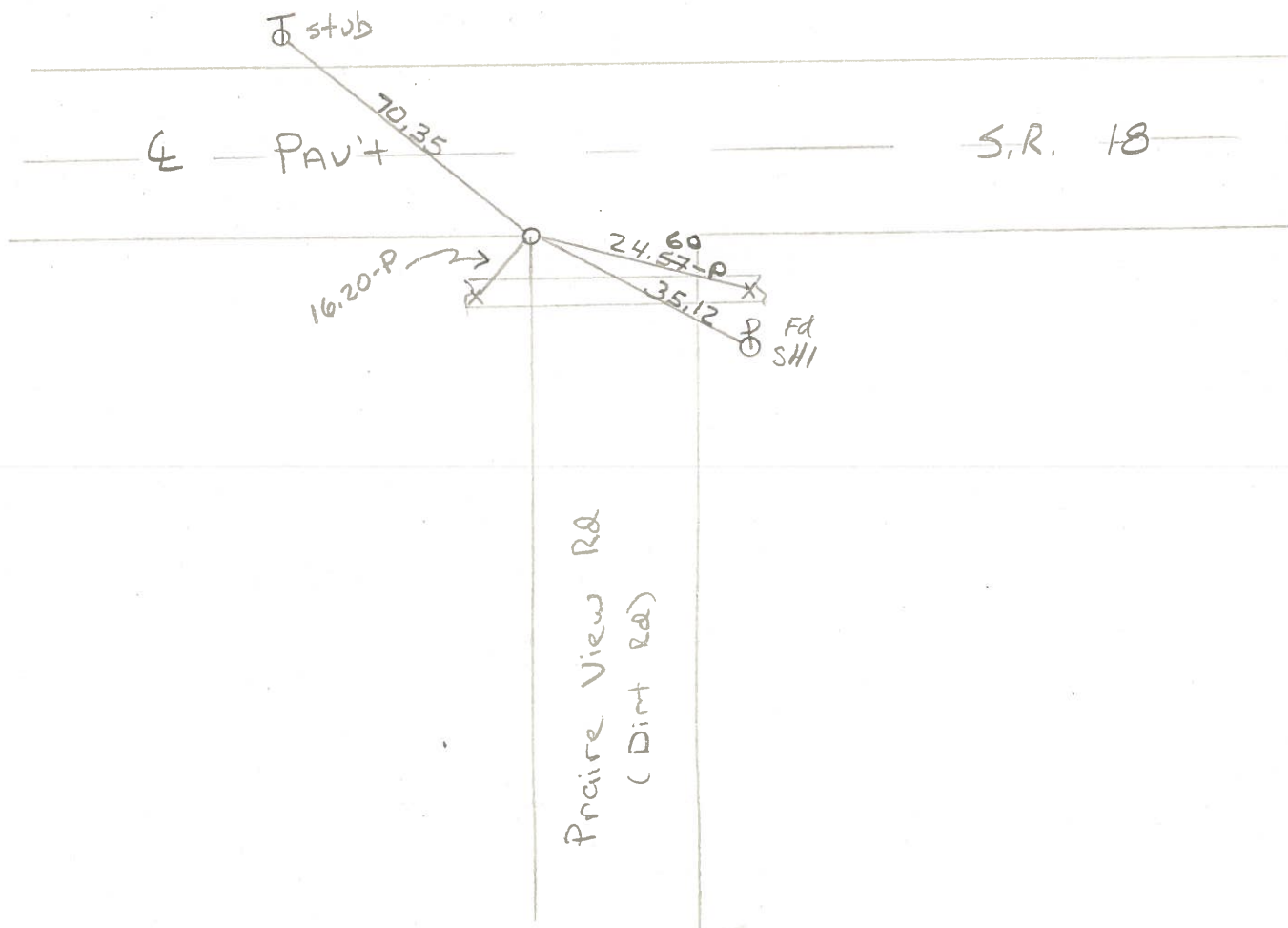
S.L.M. 148+65

RESET PK+WASHER

7-24-85

CL.

# 7-A



County WOOD S.R. 18

Date 7-1-75

Township JACKSON

Weather CLEAR

Section 21

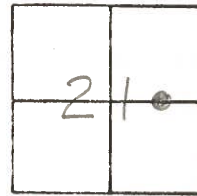
Temp. 78°

T3N, R9E

Personnel BURNSIDE

BOWERS

MEAD



# 7-A

FD. STONE 10" DEEP  
 @ THE SOUTH EDGE PAVT.  
 S.R. 18 SET BOAT SPK.  
 & BRICK OVER STONE

