

O.D.O.T. DISTRICT 2 SURVEY OFFICE (USE ONLY)

PERSONNEL

REFERENCE NO. 21 A

SHEET 17 OF 52

NOTES AUBLE

DATE 5/5/21

ROUTE SR 18

H.C. NIESE

WEATHER CLOUDY

COUNTY WOOD

R.C. O'DONNELL

TEMP. 46°

TOWNSHIP HENRY

SECTION 29

DWG BY NIESE PID PAVETRAIN

T 3 N R 10 E

TYPE MONUMENT MAG/WASHER

ON SURFACE - ~~BELOW~~ ON

OFFSET Q PAVEMENT 5.6' LT : RT

3.5' TO RT EDGE PAVEMENT

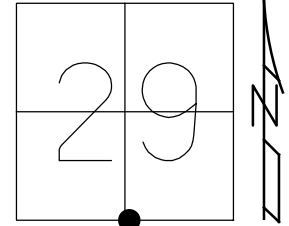
STATION: 475+27

HORZ. DATUM: NAD83(2011)

GEOID: NAVD88 2012A

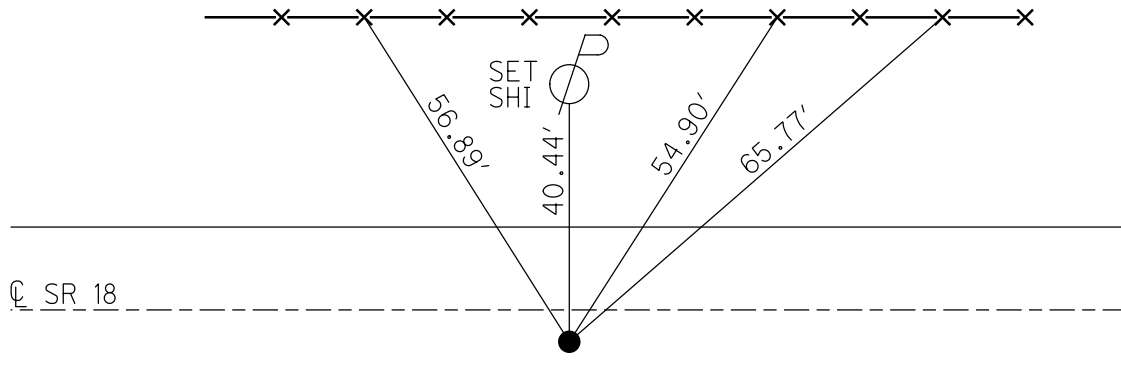
GRID: NORTHING: 554816.442

EASTING: 1628204.518



RECORD:  
 SET MAG NAIL  
 7/7/87, MB  
 FD MAG NAIL  
 7/28/11, MC  
 SET MAG/WASHER  
 1/31/12, SAH  
 FD MAG/WASHER  
 REFA21  
 6/15/20, JFO  
 5/5/21, JFO  
 1/21/21, TDN  
 8-10-23, TDN

FD "+" ±3' UP  
 STEEL FENCE  
 POSTS



O.D.O.T. DISTRICT 2 SURVEY OFFICE (USE ONLY)

PERSONNEL

REFERENCE NO. 21 A

SHEET 17 OF 52

NOTES AUBLE

DATE 5/5/21

ROUTE SR 18

H.C. NIESE

WEATHER CLOUDY

COUNTY WOOD

R.C. O'DONNELL

TEMP. 46°

TOWNSHIP HENRY

SECTION 29

DWG BY NIESE

PID PAVETRAIN

T 3 N R 10 E

TYPE MONUMENT MAG/WASHER

ON SURFACE - ~~BELOW~~ ON

OFFSET CL PAVEMENT 5.6' ~~ET~~ : RT

3.5' TO RT EDGE PAVEMENT

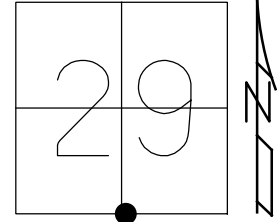
STATION: 475+27

HORZ.DATUM: NAD83(2011)

GEOID: NAVD88 2012A

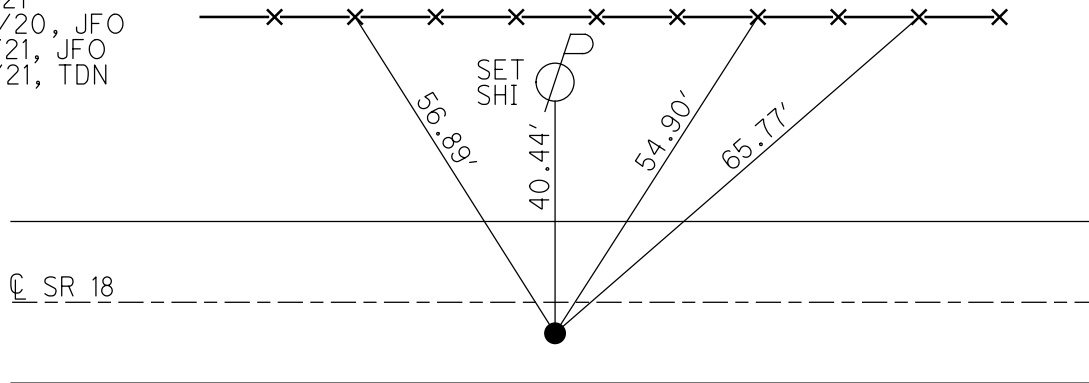
GRID: NORTHING: 554816.442

EASTING: 1628204.518



RECORD:  
 SET MAG NAIL  
 7/7/87, MB  
 FD MAG NAIL  
 7/28/11, MC  
 SET MAG/WASHER  
 1/31/12, SAH  
 FD MAG/WASHER  
 REFA21  
 6/15/20, JFO  
 5/5/21, JFO  
 1/21/21, TDN

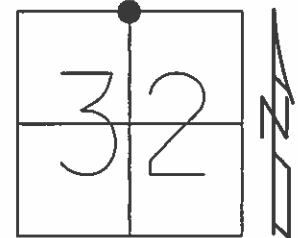
FD "+" ±3' UP  
 STEEL FENCE  
 POSTS



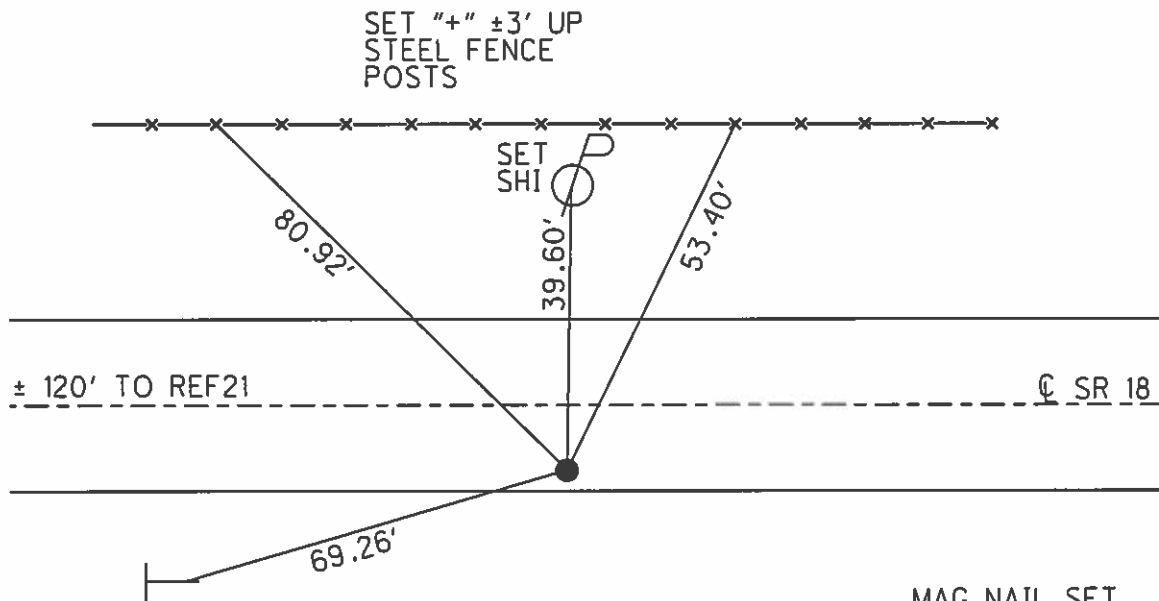
O.D.O.T. DISTRICT 2 SURVEY OFFICE (USE ONLY)

PERSONNEL \_\_\_\_\_ REFERENCE NO. 21 A SHEET 16 OF 26  
 NOTES CANTERBURY DATE 7/28/11 ROUTE SR 18  
 H.C. CANTERBURY WEATHER SUNNY COUNTY WOOD  
 R.C. HARBAUGH TEMP. 85° TOWNSHIP HENRY  
 \_\_\_\_\_ SECTION 32  
 \_\_\_\_\_ T 3 N R 10 E

TYPE MONUMENT MAG NAIL  
 ON SURFACE - ~~BELOW~~ ON \_\_\_\_\_  
~~LEFT~~ - CL PAV'T - RIGHT 5.6'  
3.5' TO RT EDGE PAVEMENT  
 S.L.M. 475+27



Grid: Northing: 554816.416 Easting: 1628204.499



CUT NOTCH  
 2' UP  
 SIGN POST  
 9 MM

MAG NAIL SET  
 7/7/87, MB

FD MAG NAIL  
 AT SURFACE  
 GPS, SVA21  
 7/28/11, MC

SET MAG/WASHER  
 1/30/12  
 GPS, REFA21  
 1/31/12, SAH