

O.D.O.T. DISTRICT 2 SURVEY OFFICE (USE ONLY)

PERSONNEL

REFERENCE NO. 23A

SHEET 21 OF 51

NOTES RHOADES DATE 6-15-20
H.C. O'DONNELL WEATHER SUNNY
R.C. MAHLER TEMP. 75°F

ROUTE SR 18
COUNTY WOOD
TOWNSHIP HENRY
SECTION 33

DWG BY MAHLER PID PAVETRAIN

T 3 N R 10 E

TYPE MONUMENT MONBOX W/1" IPIN

ON SURFACE - ~~BELOW~~ ON

OFFSET ☉ PAVEMENT ON ~~LT:RT~~

- TO - EDGE PAVEMENT

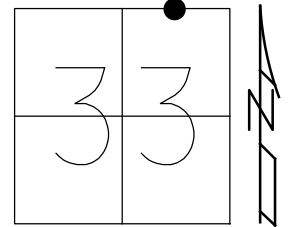
STATION: 538+36.70

HORZ.DATUM: NAD83 (2011)

GEOID: NAVD88-2012A

GRID: NORTHING: 554775.330

EASTING: 1634401.870



RECORD: T.S
STA. 538+36.70
FD MONBOX
W/1" IPIN
REFA23
6-15-20, JFO

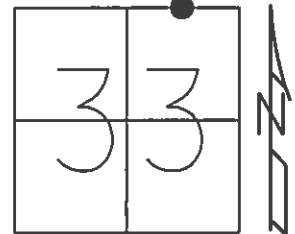
☉ SR 18

M

O.D.O.T. DISTRICT 2 SURVEY OFFICE (USE ONLY)

PERSONNEL _____ REFERENCE NO. 23 A SHEET 21 OF 26
 NOTES HOFFMAN DATE 6/17/87 ROUTE SR 18
 H.C. LOEHRKE WEATHER CLEAR COUNTY WOOD
 R.C. BARNHISEL TEMP. 80° TOWNSHIP HENRY
 _____ SOCKMAN _____ SECTION 33
 _____ T 3 N R 10 E

TYPE MONUMENT R.R.SPIKE
 ON SURFACE - ~~BELOW~~ ON _____
~~LEFT~~ - CL PAV'T - RIGHT 1.3'
7.0' TO RT EDGE PAVEMENT
 S.L.M. 541+76.39

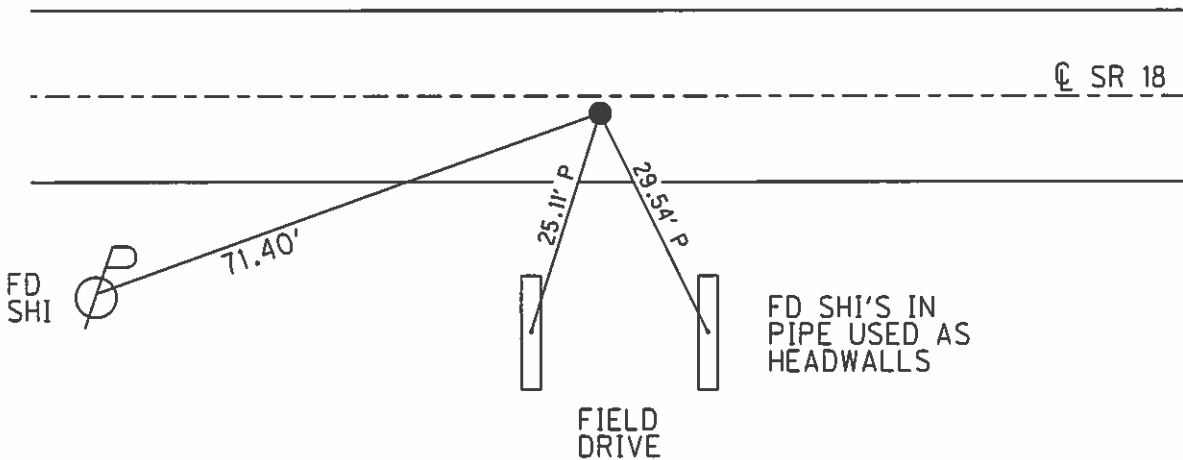


Grid: Northing: 554770.338 Easting: 1634833.748

FD R.R.SPIKE
 AT SURFACE
 6/17/87, CL

SET P.K./WASHER
 7/21/87, CL

FD P.K./WASHER
 6/16/10
 GPS, SVA23
 6/17/10, MC



O.D.O.T. DISTRICT 2 SURVEY OFFICE

PERSONNEL

REFERENCE NO. 23A

SHEET 9 OF _____

NOTES HOFFMAN

H.C. LOHRKE

R.C. BAERTHISCH

SOCKMAN

DATE 6-17-87

WEATHER CLEAR

TEMP. 80°

ROUTE SR 18

COUNTY WOOD

TOWNSHIP HENRY

SECTION 28

T. 3 N. R. 10 E

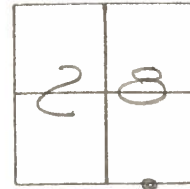
TYPE MONUMENT RR SPIKE

ON SURFACE - ~~BELOW~~ YES

~~LEFT - C~~ PAV'T. - RIGHT 1.3

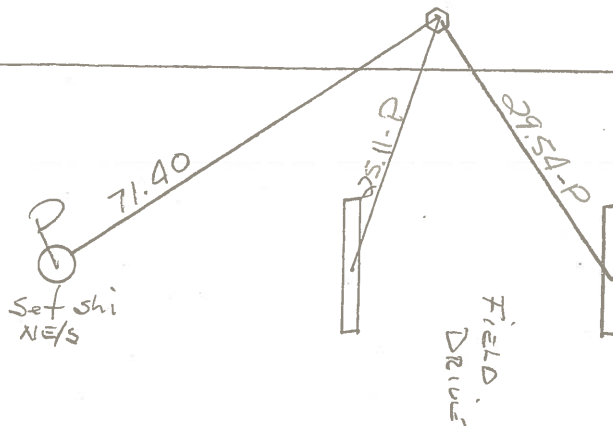
7.0 TO RT EDGE PAVEMENT

S.L.M. 542+68



RR SPIKE ORIGIN UNKNOWN
APPARENT $\frac{1}{2}$ $\frac{1}{2}$ CORNER

SET P.K./WASHER
7-21-87
C.L.



Set shiners
TOP center
OLD ϕ USED
FOR HIGHWALL