

O.D.O.T. DISTRICT 2 SURVEY OFFICE (USE ONLY)

PERSONNEL

REFERENCE NO. 28 E

SHEET 12 OF 9

NOTES HOMAN

DATE 8/4/14

ROUTE SR 18

H.C. LUE

WEATHER SUNNY

COUNTY WOOD

R.C. THOMAS

TEMP. 80°

TOWNSHIP HENRY

SECTION 35

DWG BY MILLER

PID 93417

T 3 N R 10 E

TYPE MONUMENT MAG/WASHER

ON SURFACE - ~~BELOW~~ ON

OFFSET $\text{\textcircled{C}}$ PAVEMENT 7.9' LT : ~~RT~~

3.5' TO LT EDGE PAVEMENT

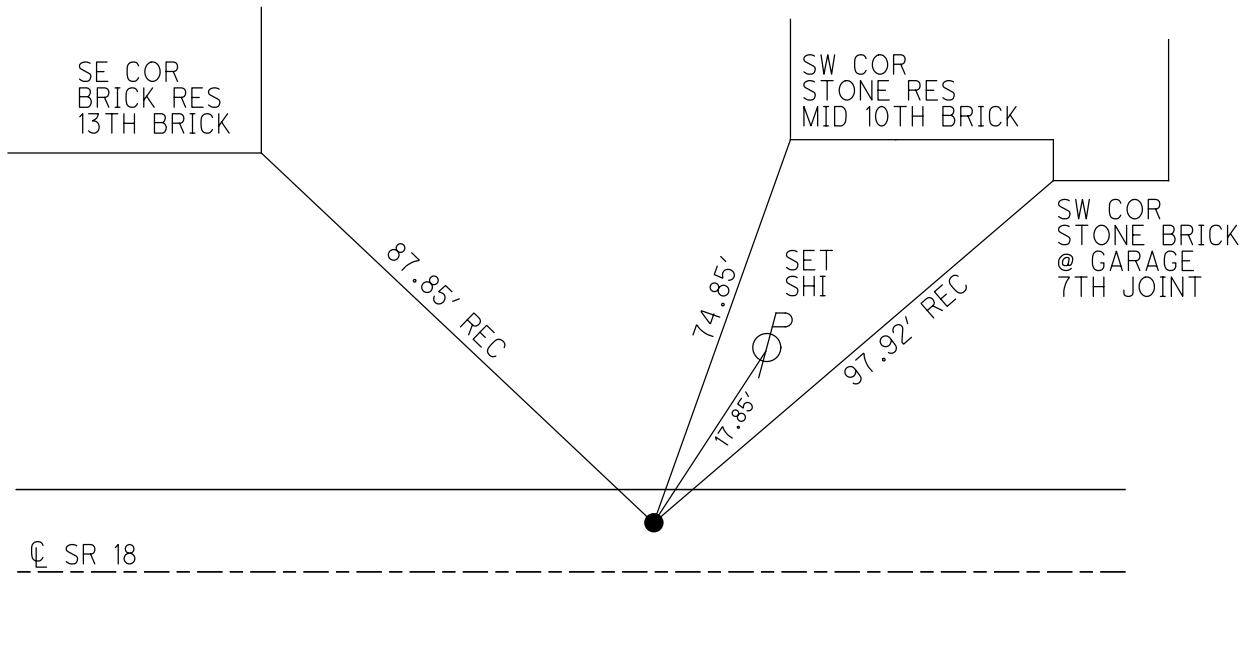
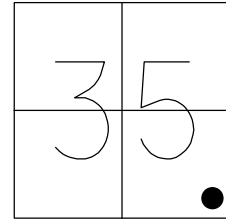
STATION: 688+71.81

HORZ. DATUM: NAD83 (2011)

GEOID: 2012A

GRID: NORTHING: 551149.154

EASTING: 1646271.891

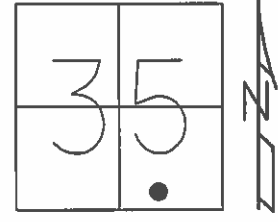


RECORD: P.I.
 STA 688+71.65
 $\Delta = 9^\circ 54' \text{ RT}$
 SET MAG/WASHER
 9/20/02, DCH
 FD MAG/WASHER
 REFG28
 8/04/14, DCH
 SET MAG/WASHER
 NEWREFE28
 9/07/16, DCH

O.D.O.T. DISTRICT 2 SURVEY OFFICE (USE ONLY)

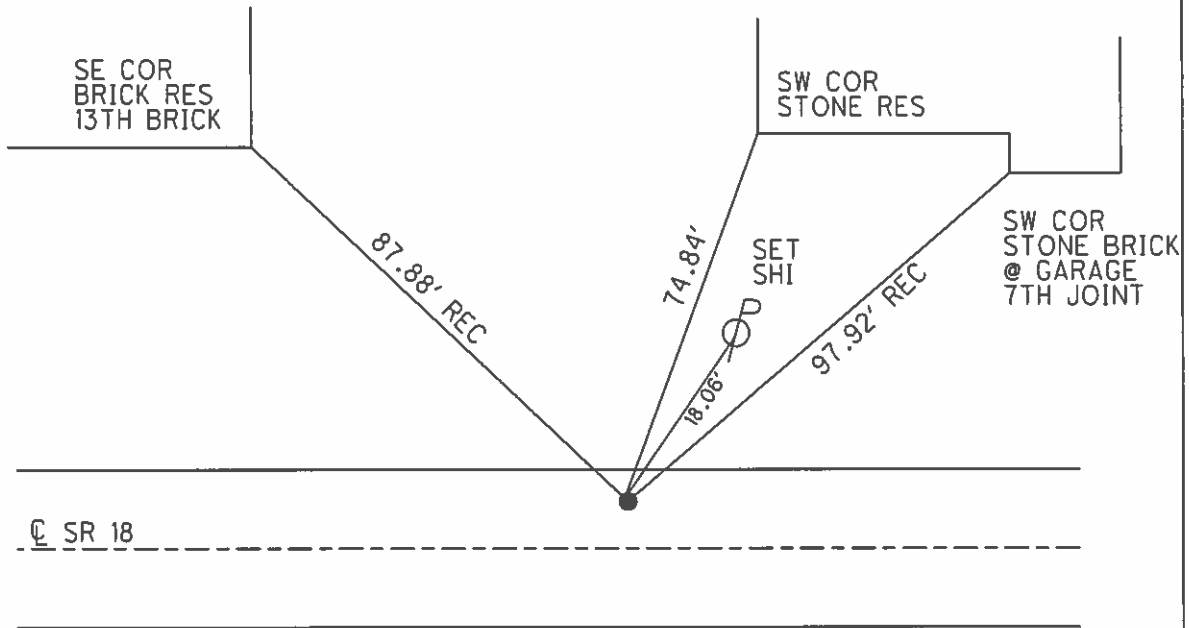
PERSONNEL _____ REFERENCE NO. 28 E SHEET 12 OF 18
 NOTES HOMAN DATE 7/8/02 ROUTE SR 18
 H.C. ZEBROWSKI WEATHER SUNNY COUNTY WOOD
 R.C. MICHALAK TEMP. 90° TOWNSHIP HENRY
BEAUMONT SECTION 35
 T 3 N R 10 E

TYPE MONUMENT P.K./WASHER
 ON SURFACE - ~~BELOW~~ ON _____
 LEFT - ☉ PAV'T - ~~RIGHT~~ 7.9'
3.5' TOLT EDGE PAVEMENT
 S.L.M. 687+26



Grid: Northing: _____ Easting: _____

RECORD: P.I.
 STA 688+71.65
 $\Delta = 9^{\circ}54'$ RT
 ☉ SURVEY & ☉ CONST
 SET MAG/WASHER
 9/20/02, DCH



O.D.O.T. DISTRICT 2 SURVEY OFFICE

PERSONNEL

REFERENCE NO. 28-E

SHEET 23 OF

NOTES HOFFMAN

H.C. LOEHRLER

R.C. BARATHISCH

SOCKMAN

DATE 6-17-87

WEATHER CLEAR

TEMP. 85°

ROUTE SR 18

COUNTY WOOD

TOWNSHIP HENRY

SECTION 35

T3 N R 10 E

TYPE MONUMENT SMALL RR SPIKE

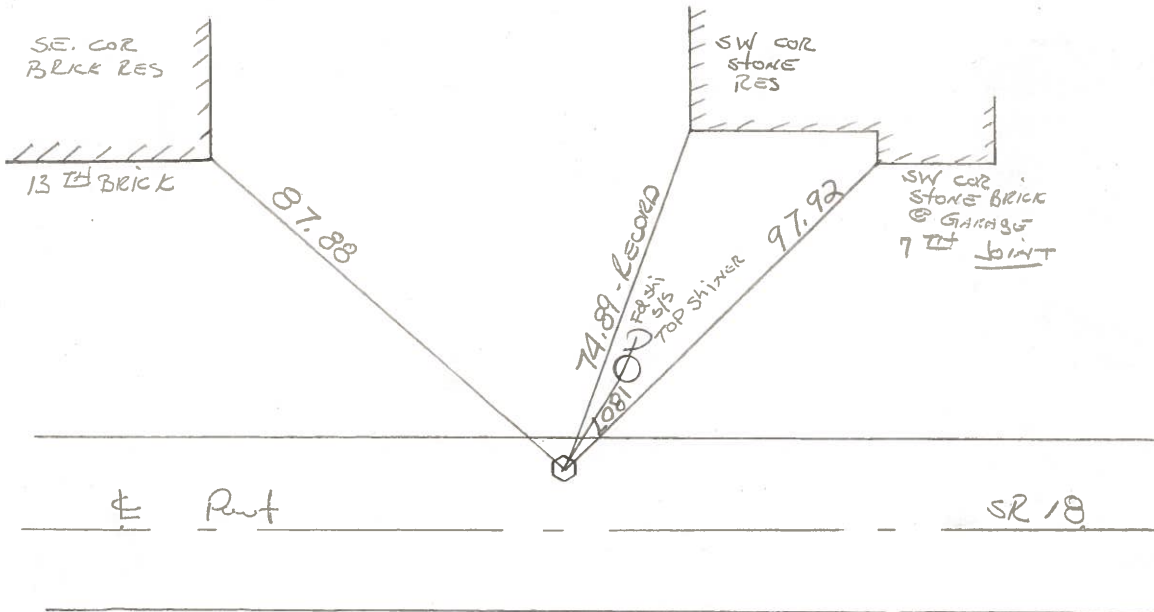
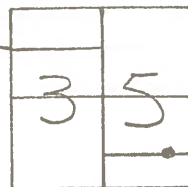
ON SURFACE - BELOW YES

LEFT- & PAV'T. - RIGHT 7.9

3.5 TO LT EDGE PAVEMENT

S.L.M. 687+26

Set P.K./washer
7.24.87
SWN



Record:

Sta 688 + 71.65

$\Delta = 90-54'$ RT

& Survey & Const.

OD.O.T. DISTRICT 2 SURVEY OFFICE

Sht. 17 of 22
S-R-18

County WOOD

Date 6-16-78

Township HENRY

Weather CLEAR

Section 35

Temp. +74°

T N, R E

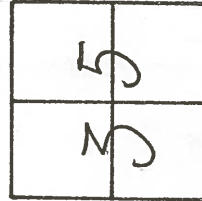
Personnel BURNSIDE

SMITH

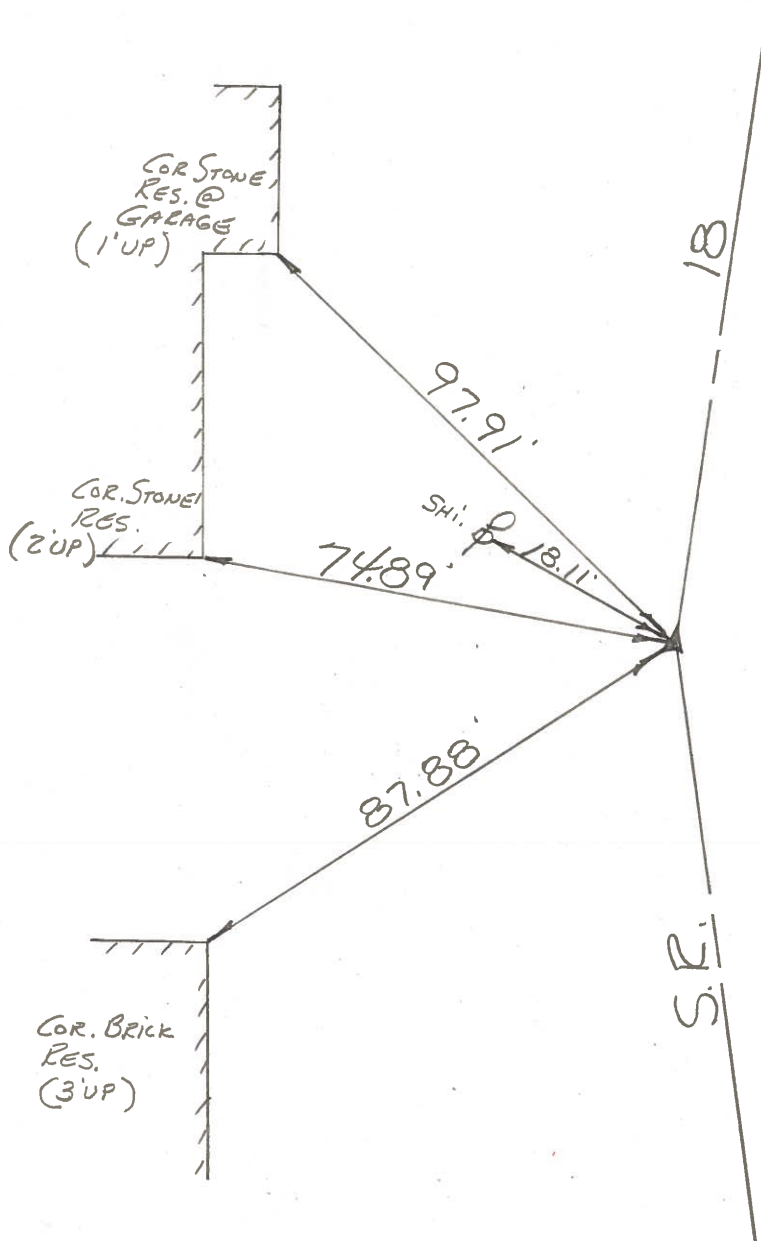
BOWERS

KNAPE

MEAD



28-E



STA. 688+71.65
Q SURVEY & CONST.
 $\Delta = 9^{\circ} 54' RT.$
FD. R.R. SPK. @ SURFACE
& 4.5' S. OF N. EDGE
PAVE.

28-E

PERSONNEL	TITLE	PERSONNEL	TITLE
BURNSIDE			
SMITH			
BOWERS			
HOLCOMBE			

COUNTY Wood DATE 1-5-71
 S. R. #18 WEATHER CLEAR
 SEC. _____ TEMP. +15°

DESCRIPTION NORTH BALTIMORE - EAST JOB NO. _____

