

O.D.O.T. DISTRICT 2 SURVEY OFFICE (USE ONLY)

PERSONNEL

REFERENCE NO. 28 F

SHEET 13 OF 19

NOTES HOMAN

DATE 8/4/14

ROUTE SR 18

H.C. LUE

WEATHER SUNNY

COUNTY WOOD

R.C. THOMAS

TEMP. 90°

TOWNSHIP HENRY

SECTION 35

DWG BY MILLER

PID 93417

T 3 N R 10 E

TYPE MONUMENT MAG/WASHER

ON SURFACE - ~~BELOW~~ ON

OFFSET Q PAVEMENT ON ~~LT: RT~~

11.6' TO RT EDGE PAVEMENT

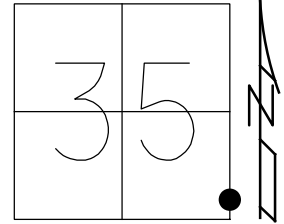
STATION: 694+22.07

HORZ. DATUM: NAD83 (2011)

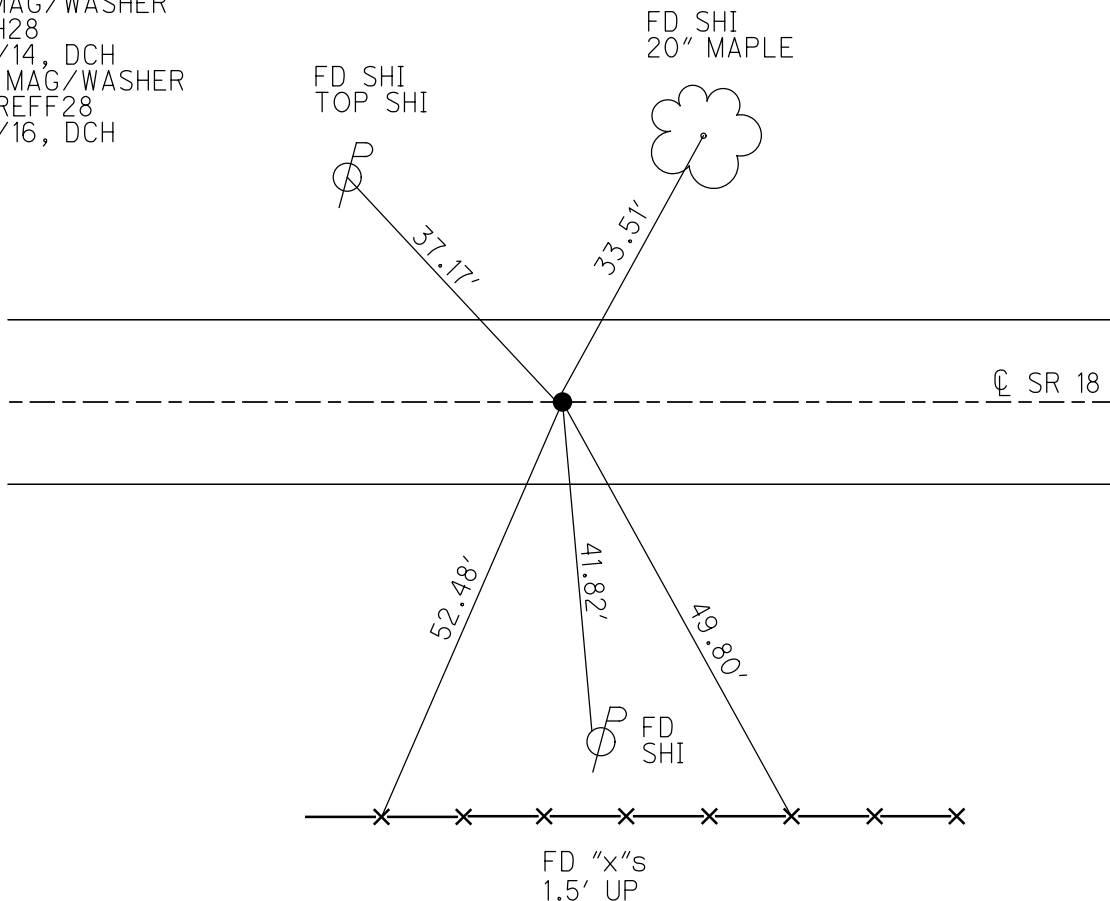
GEOID: 2012A

GRID: NORTHING: 551106.361

EASTING: 1646821.284



RECORD:
 FD SM.R.R.SPIKE
 FD P.K./WASHER
 7/8/02, DCH
 SET MAG/WASHER
 3/20/03, DCH
 FD MAG/WASHER
 REFH28
 8/4/14, DCH
 SET MAG/WASHER
 NEWREFF28
 9/7/16, DCH

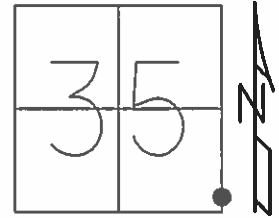


O.D.O.T. DISTRICT 2 SURVEY OFFICE (USE ONLY)

PERSONNEL _____ REFERENCE NO. 28 F SHEET 13 OF 18

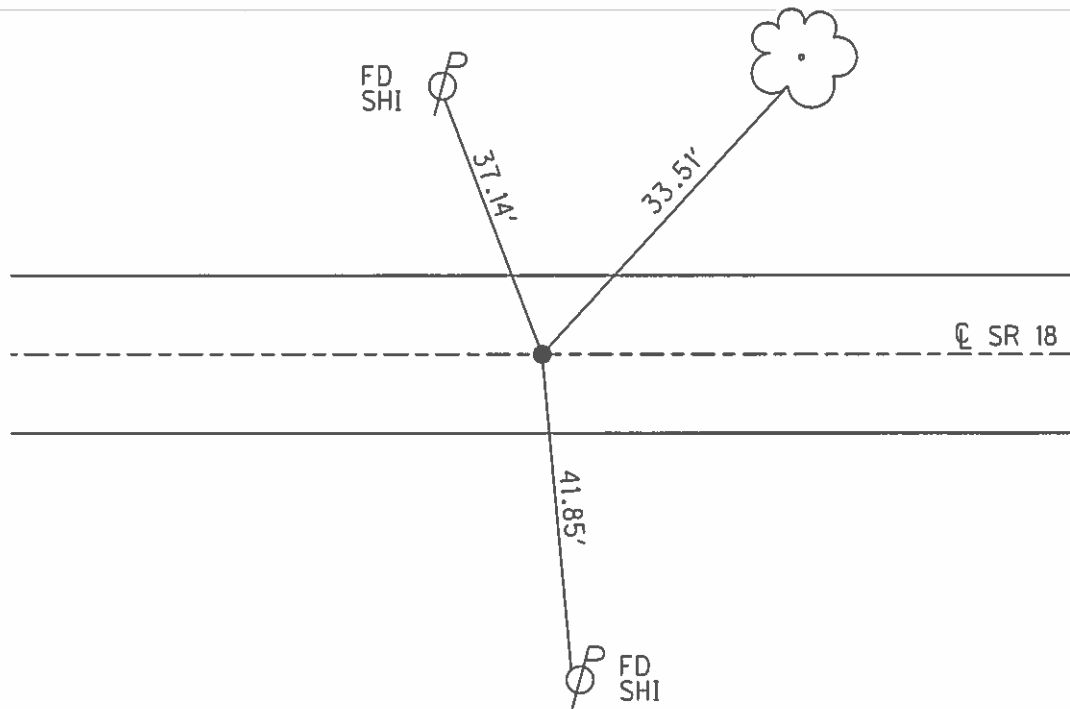
NOTES HOMAN DATE 7/8/02 ROUTE SR 18
 H.C. ZEBROWSKI WEATHER SUNNY COUNTY WOOD
 R.C. MICHALAK TEMP. 90° TOWNSHIP HENRY
BEAUMONT SECTION 35
 T 3 N R 10 E

TYPE MONUMENT P.K./WASHER
 ON SURFACE - ~~BELOW~~ ON _____
 LEFT - ☉ PAV'T - RIGHT ON _____
11.6' TO RT EDGE PAVEMENT
 S.L.M. 692+76
 Grid: Northing: _____ Easting: _____



RECORD:
 FD SM RR SPIKE
 @ SURFACE E LINE
 SEC 35 HENRY TWP
 SET MAG/WASHER
 3/20/03, DCH

FD SHI
 12" MAPLE



O.D.O.T. DISTRICT 2 SURVEY OFFICE

PERSONNEL

REFERENCE NO. 28-F

SHEET 24 OF

NOTES HOFFMAN

H.C. LOSHRKE

R.C. BARNHISEL

Soekman

DATE 6-17-87

WEATHER CLEAR

TEMP. 85°

ROUTE SR 18

COUNTY WOOD

TOWNSHIP HENRY

SECTION 35

T3 N R 10 E

TYPE MONUMENT SMALL RR SPIKE

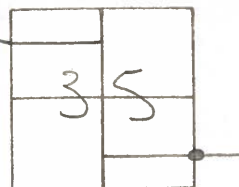
ON SURFACE - ~~BELOW~~ YES

~~LEFT - & PAV'T. - RIGHT~~ YES

11.6 TO RT EDGE PAVEMENT

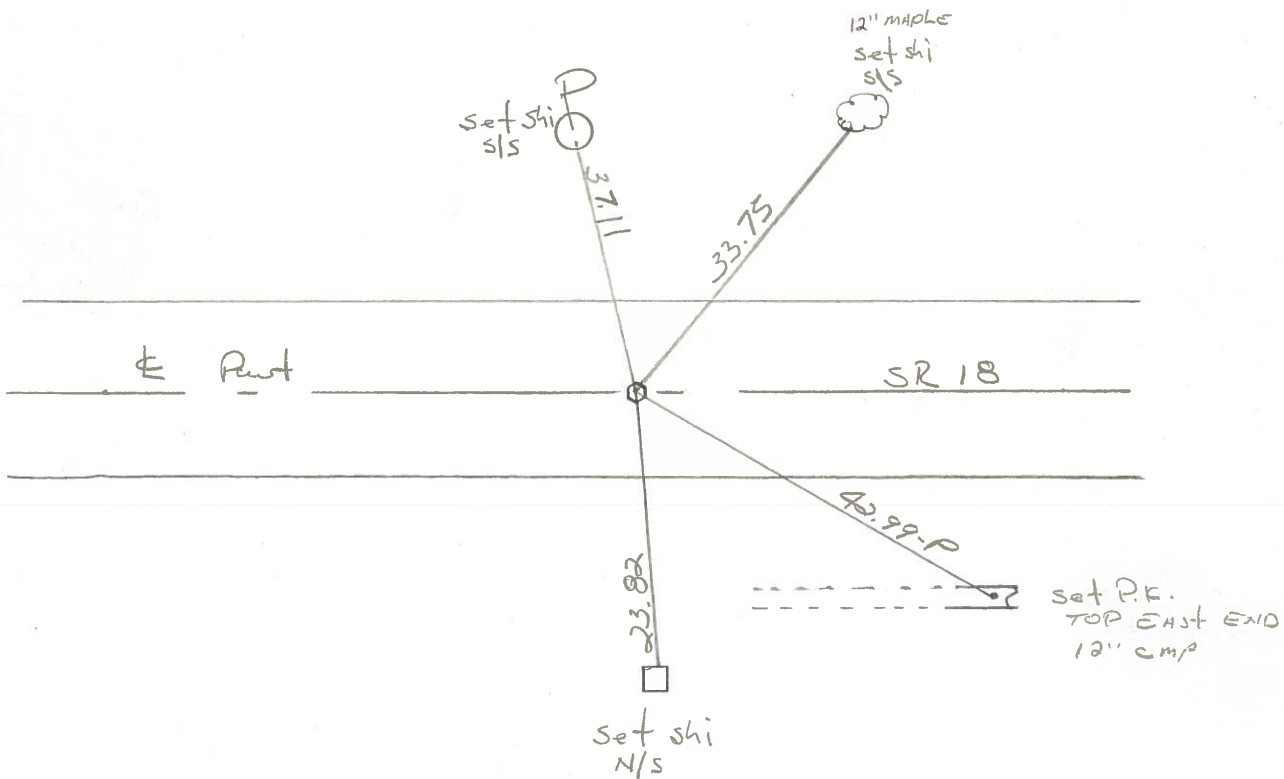
S.L.M. 692+76

Set P.K./washer
7-24-87
swt



Records:

Fed small spk @
surface.
E. line sec 35
Henry Twp



O.D.O.T. DISTRICT 2 SURVEY OFFICE

Sht. 18 of 22
S-R-18

County WOOD

Date 6-16-78

Township HENRY

Weather PT. CLOUDY

Section 35

Temp. +74°

T N, R E

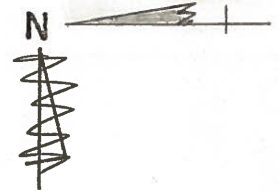
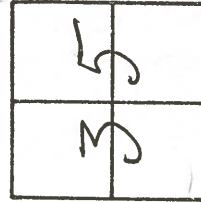
Personnel BURNSIDE

SMITH

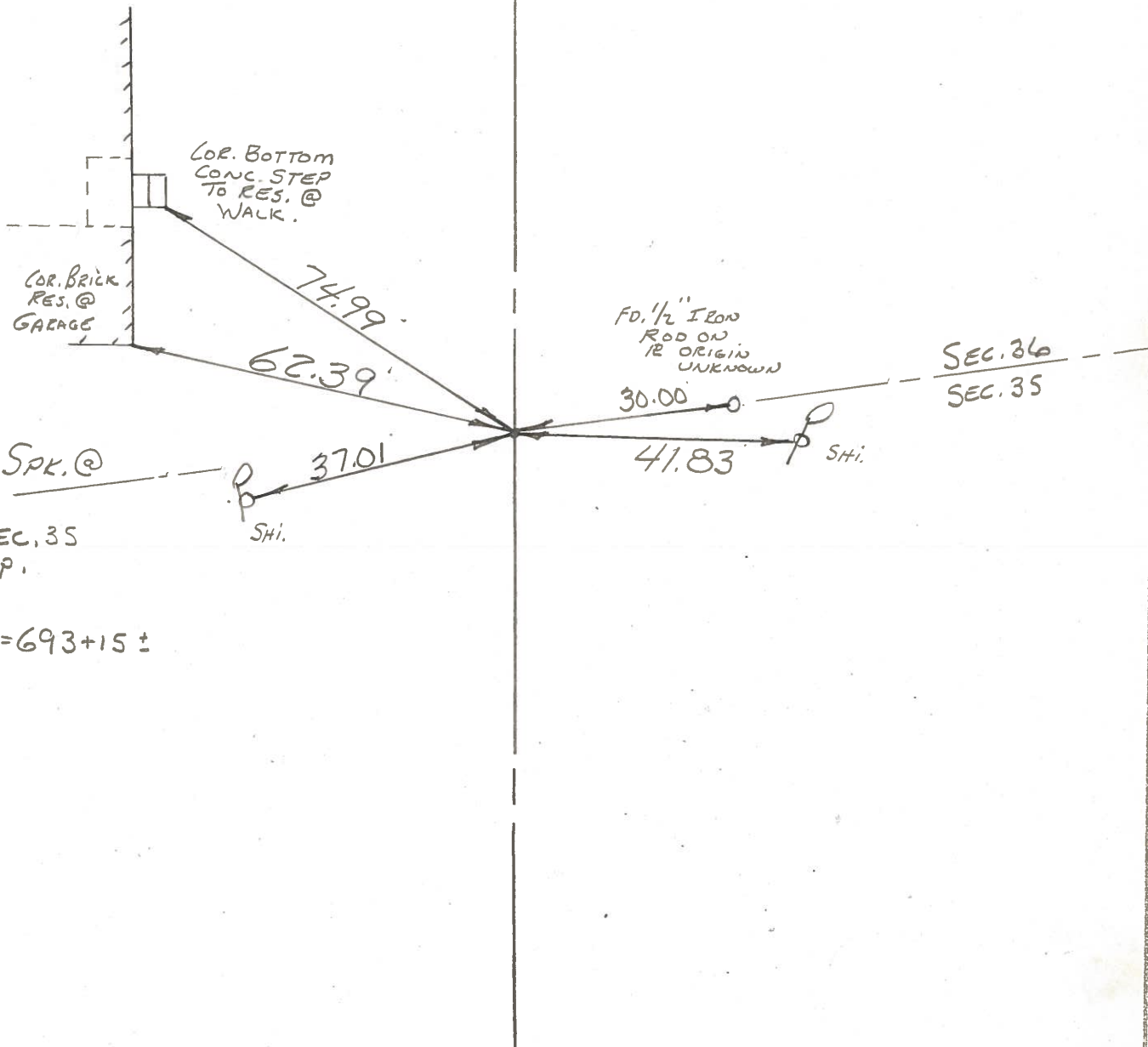
BOWERS

KNAPE

MEAD



28-F



FD. SMALL SPK. @
SURFACE.
E. LINE SEC. 35
HENRY TWP.

S.L.M. STA = 693+15 ±