

O.D.O.T. DISTRICT 2 SURVEY OFFICE (USE ONLY)

PERSONNEL

REFERENCE NO. 29 A

SHEET 15 OF 19

NOTES HOMAN

DATE 8/4/14

ROUTE SR 18

H.C. LUE

WEATHER SUNNY

COUNTY WOOD

R.C. THOMAS

TEMP. 90°

TOWNSHIP HENRY

SECTION 36

DWG BY MILLER

PID 93417

T 3 N R 10 E

TYPE MONUMENT MAG/WASHER

ON SURFACE - ~~BELOW~~ ON

OFFSET Q PAVEMENT 4.2' LT : ~~RT~~

8.4' TO LT EDGE PAVEMENT

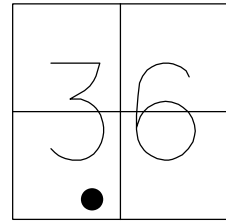
STATION: 708+91.98

HORIZ. DATUM: NAD83 (2011)

GEOID: 2012A

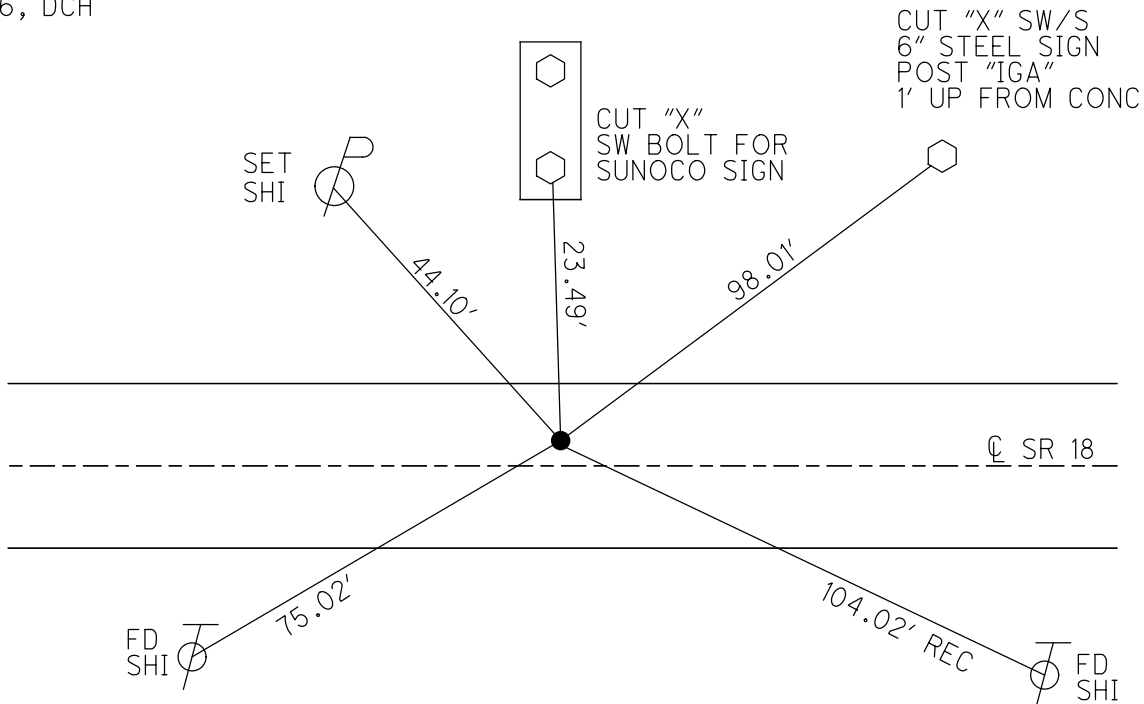
GRID: NORTHING: 550992.263

EASTING: 1648286.829



RECORD:

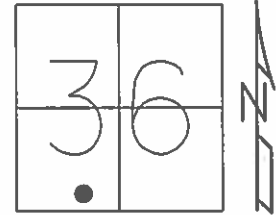
STA 708+92.51
 $\Delta = 1^\circ 28' RT$
 FD P.K./WASHER
 7/8/02, DCH
 SET MAG/WASHER
 2/20/03, DCH
 FD MAG NAIL
 REFA29
 8/4/14, DCH
 SET MAG/WASHER
 NEWREFA29
 9/7/16, DCH



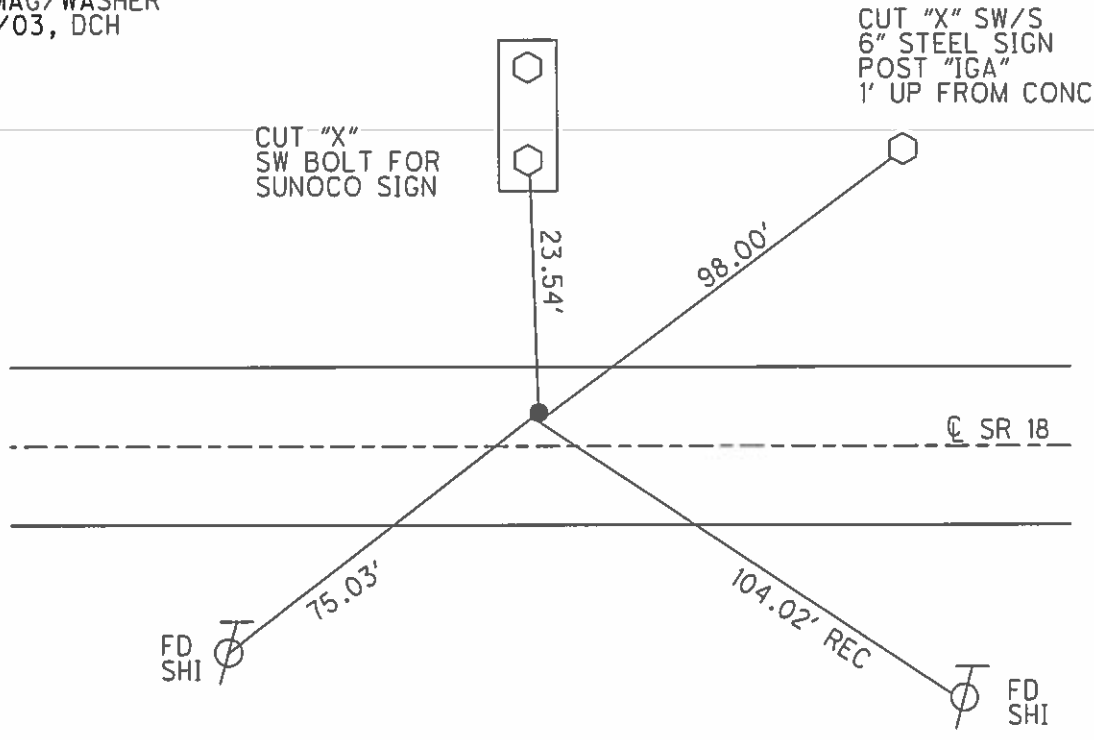
O.D.O.T. DISTRICT 2 SURVEY OFFICE (USE ONLY)

PERSONNEL _____ REFERENCE NO. 29 A SHEET 15 OF 18
 NOTES HOMAN DATE 7/8/02 ROUTE SR 18
 H.C. ZEBROWSKI WEATHER SUNNY COUNTY WOOD
 R.C. MICHALAK TEMP. 90° TOWNSHIP HENRY
BEAUMONT SECTION 36
 T 3 N R 10 E

TYPE MONUMENT P.K./WASHER
 ON SURFACE - ~~BELOW~~ ON _____
 LEFT - ☉ PAV'T - ~~RIGHT~~ 4.2'
8.4' TO LT EDGE PAVEMENT
 S.L.M. 707+45
 Grid: Northing: _____ Easting: _____



RECORD:
 STA 708+92.51
 Δ = 1°28' RT
 ☉ SURVEY
 SET MAG/WASHER
 2/20/03, DCH



O.D.O.T. DISTRICT 2 SURVEY OFFICE

PERSONNEL

REFERENCE NO. 29-A

SHEET 26 OF _____

NOTES HOFFMAN

H.C. LOTHREE

R.C. BARWHEEL

Sackman

DATE 6-17-87

WEATHER CLEAR

TEMP. 85°

ROUTE SR 18

COUNTY WOOD

TOWNSHIP HENRY

SECTION 36

T3 N R 10 E

TYPE MONUMENT SMALL RR SPIKE

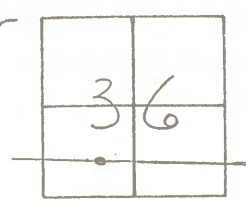
ON SURFACE - ~~BELOW~~ YES

LEFT- & PAV'T. - ~~RIGHT~~ 4.2

84 TO LT EDGE PAVEMENT

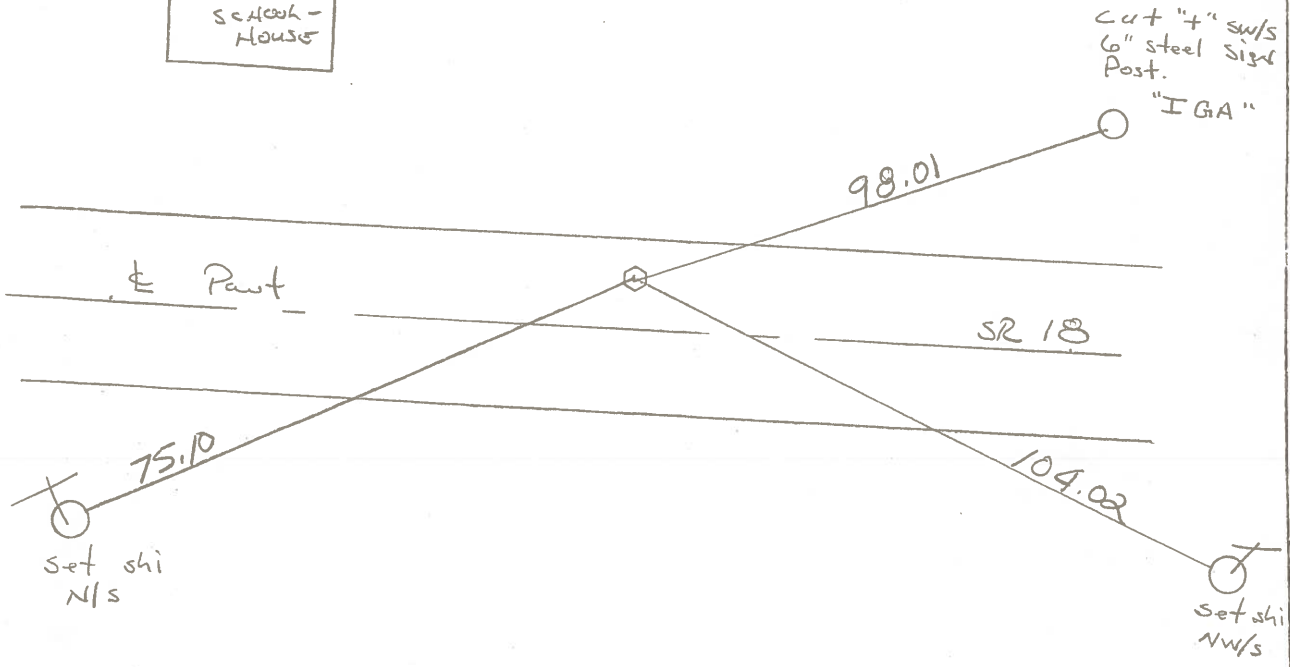
S.L.M. 707+45

Set PK/washer
7-24-87
SWH



Record:
Sta. 708+92.51
 $\Delta = 1^{\circ}-28'Rt.$
& survey

OLD
BRICK
SCHOOL-
HOUSE



O.D.O.T. DISTRICT 2 SURVEY OFFICE

Sht. 20 of 22

S.R. 18

County WOOD

Date 6-16-78

Township HENRY

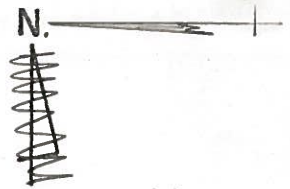
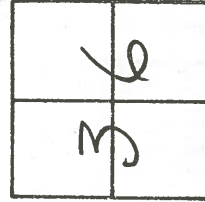
Weather CLOUDY

Section 36

Temp. + 77°

T. N, R. E

Personnel BURNSIDE



SMITH

BOWERS

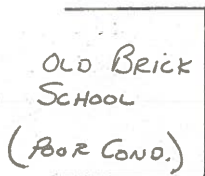
KNAPE

MEAD

29-A

STA. 708+92.51
P.I. $\Delta = 1^{\circ}28' R$
SURVEY
FD. R.R. SPK. @ SURFACE
4' N. OF CTR. PAVE.

#29-A



NEAR EDGE
6" PIPE POST.
I.G.A. SIGN

18

98.01'

103.88'

67.39'

74.87'

S.R.

SHI.

PERSONNEL	TITLE	PERSONNEL	TITLE	COUNTY	DATE	WEATHER	TEMP.
BURNSIDE		Rocchini		WOOD	6-21-71	CLEAR	+72°
SMITH				S. R. 18			
BOWERS				SEC. TILE YARD ROAD			
HOLCOMBE							

DESCRIPTION	LEFT	CENTER LINE	RIGHT	JOB NO.
-------------	------	-------------	-------	---------

