

O.D.O.T. DISTRICT 2 SURVEY OFFICE (USE ONLY)

PERSONNEL

REFERENCE NO. 29 AB

SHEET 17 OF 19

NOTES HOMAN

DATE 8/4/14

ROUTE SR 18

H.C. LUE

WEATHER SUNNY

COUNTY WOOD

R.C. THOMAS

TEMP. 90°

TOWNSHIP HENRY

SECTION 36

DWG BY MILLER

PID 93417

T 3 N R 10 E

TYPE MONUMENT MAG/WASHER

ON SURFACE - ~~BELOW~~ ON

OFFSET ☉ PAVEMENT ON ~~LT:RT~~

11.0' TO RT EDGE PAVEMENT

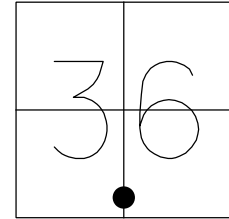
STATION: 720+66.82

HORIZ.DATUM: NAD83 (2011)

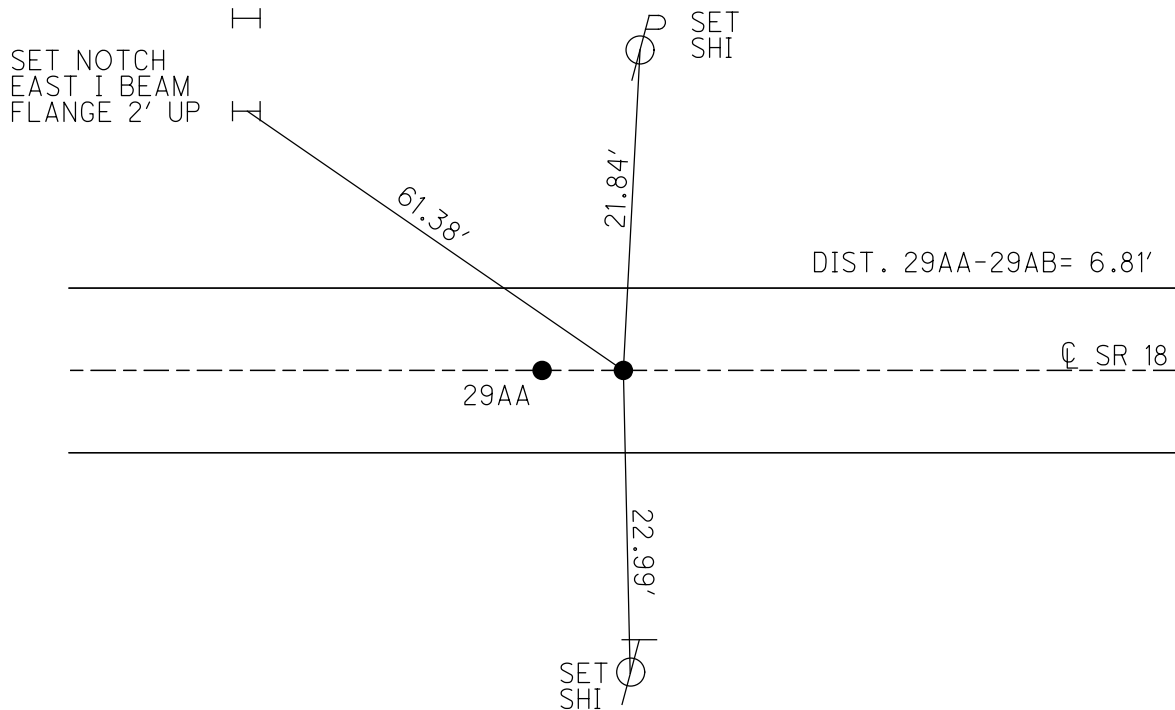
GEOID: 2012A

GRID: NORTHING: 550866.241

EASTING: 1649454.817



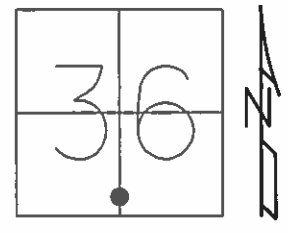
RECORD:
 ORIGIN UNKNOWN
 FD P.K./WASHER
 7/8/02, DCH
 SET MAG/WASHER
 2/20/03, DCH
 FD MAG/WASHER
 REFAA29
 8/4/14, DCH
 SET MAG/WASHER
 NEWREFAA29
 9/7/16, DCH



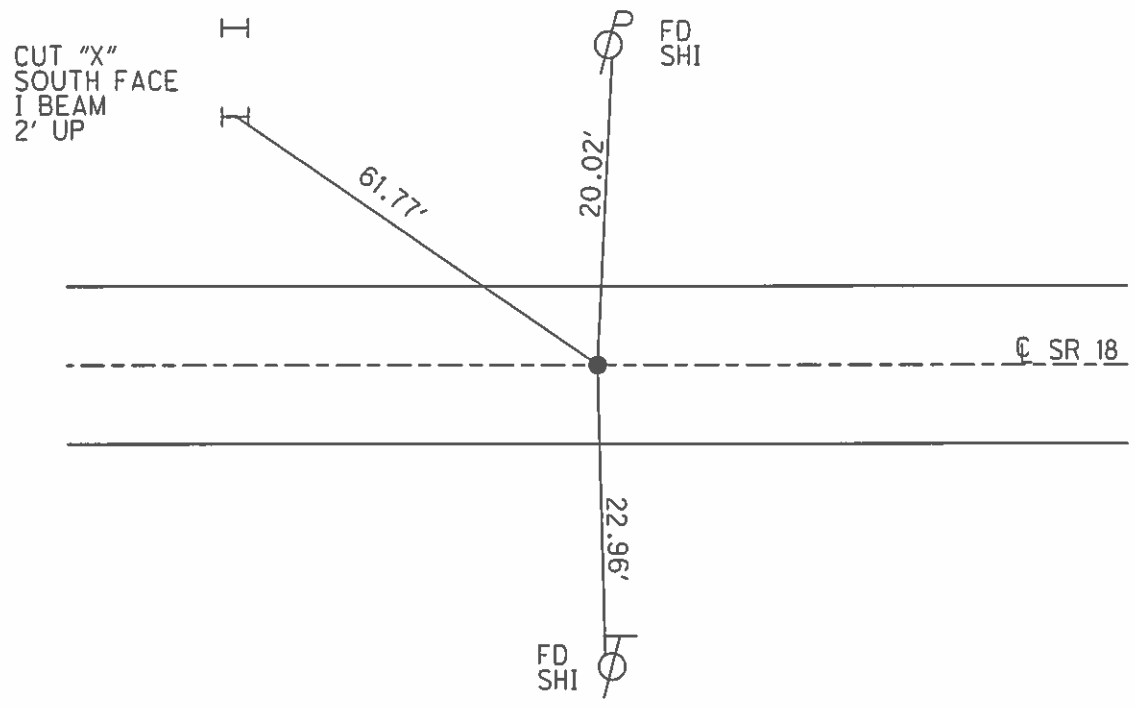
O.D.O.T. DISTRICT 2 SURVEY OFFICE (USE ONLY)

PERSONNEL _____ REFERENCE NO. 29 AB SHEET 16 OF 18
 NOTES HOMAN DATE 7/8/02 ROUTE SR 18
 H.C. ZEBROWSKI WEATHER SUNNY COUNTY WOOD
 R.C. MICHALAK TEMP. 90° TOWNSHIP HENRY
BEAUMONT SECTION 36
 T 3 N R 10 E

TYPE MONUMENT P.K./WASHER
 ON SURFACE - ~~BELOW~~ ON
 LEFT - ☉ PAV'T - RIGHT ON
11' TO RT EDGE PAVEMENT
 S.L.M. 719+20
 Grid: Northing: _____ Easting: _____



RECORD:
 ORIGIN OF PK NAIL
 UNKNOWN, LOOKS
 TO BE ON SECTION
 LINE N-S CTR
 SET MAG/WASHER
 2/20/03, DCH



O.D.O.T. DISTRICT 2 SURVEY OFFICE

PERSONNEL

REFERENCE NO. 29-AA

SHEET 27 OF

NOTES HOFFMAN

H.C. LOCHKE

R.C. BARNHISEL

Soeknadi

DATE 6-17-87

WEATHER CLEAR

TEMP. 85°

ROUTE SR 18

COUNTY WOOD

TOWNSHIP HENRY

SECTION 36

T. 3 N. R. 10 E

TYPE MONUMENT P.K. Nail

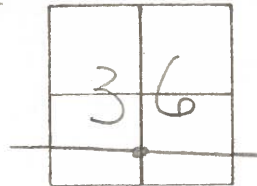
ON SURFACE - BELOW YES

LEFT - C PAV'T. - RIGHT YES

11.0 TO RT EDGE PAVEMENT

S.L.M. 719 +20

set P.K./washer
7-24-87
swt



original of PK is unknown
LOOKS TO BE ON SECTION LINE N-S CTR-

