

O.D.O.T. DISTRICT 2 SURVEY OFFICE (USE ONLY)

PERSONNEL

REFERENCE NO. 29 B

SHEET 18 OF 19

NOTES HOMAN

DATE 8/4/14

ROUTE SR 18

H.C. LUE

WEATHER SUNNY

COUNTY WOOD

R.C. THOMAS

TEMP. 90°

TOWNSHIP HENRY

SECTION 36

DWG BY MILLER PID 93417

T 3 N R 10 E

TYPE MONUMENT MAG/WASHER

ON SURFACE - ~~BELOW~~ ON

OFFSET CL PAVEMENT 1.3' ~~LT~~ : RT

10.0' TO RT EDGE PAVEMENT

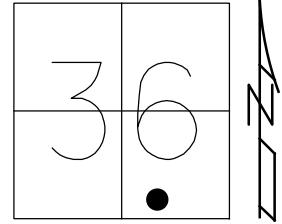
STATION: 722+68.20

HORZ. DATUM: NAD83 (2011)

GEOID: 2012A

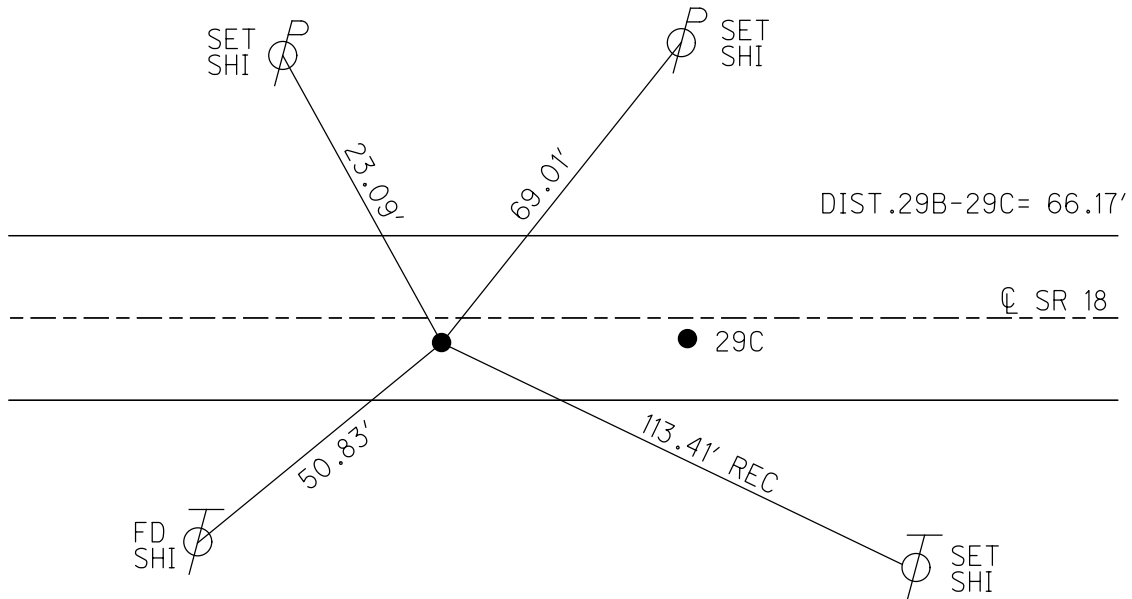
GRID: NORTHING: 550845.374

EASTING: 1649655.162



RECORD:

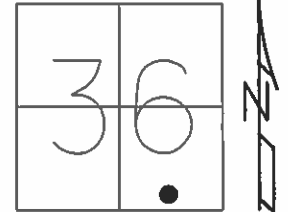
STA 722+68.22
 $\Delta = 3^\circ 21' \text{ LT}$
 FD P.K./WASHER
 7/8/02, DCH
 SET MAG/WASHER
 2/20/03, DCH
 FD MAG/WASHER
 REFC29
 8/4/14, DCH
 SET MAG/WASHER
 NEWREFB29
 9/7/16, DCH



O.D.O.T. DISTRICT 2 SURVEY OFFICE (USE ONLY)

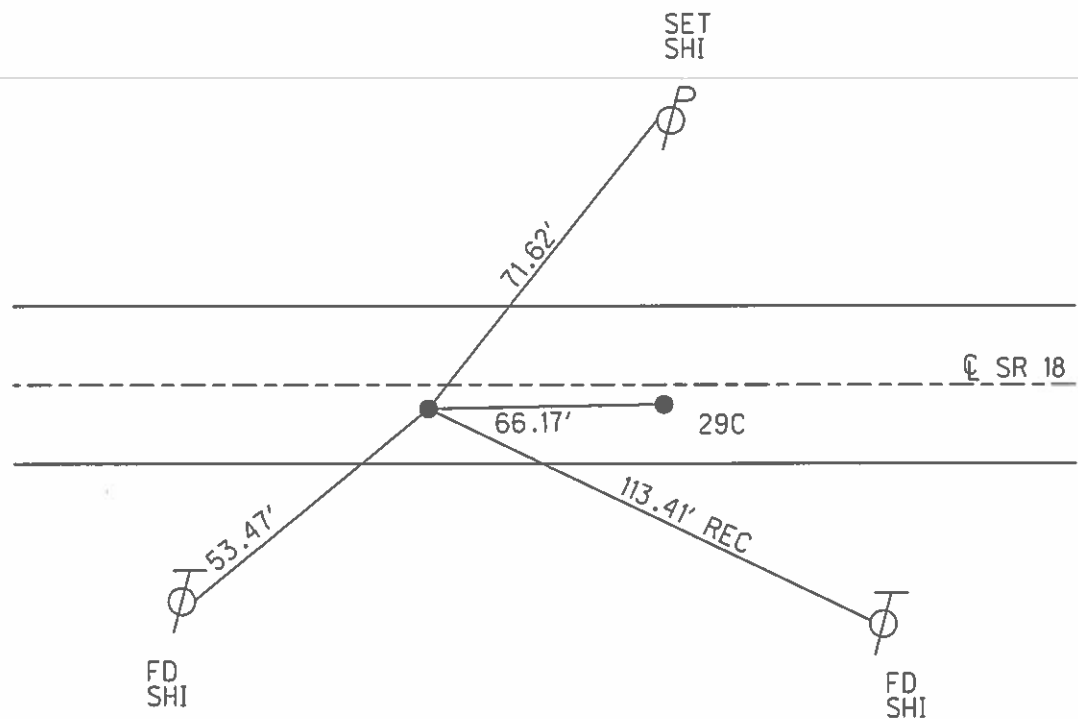
PERSONNEL _____ REFERENCE NO. 29 B SHEET 17 OF 18
 NOTES HOMAN DATE 7/8/02 ROUTE SR 18
 H.C. ZEBROWSKI WEATHER SUNNY COUNTY WOOD
 R.C. MICHALAK TEMP. 90° TOWNSHIP HENRY
BEAUMONT SECTION 36
 T 3 N R 10 E

TYPE MONUMENT P.K./WASHER
 ON SURFACE - ~~BELOW~~ ON _____
~~LEFT~~ - CL PAV'T - RIGHT 1.3'
10.0' TO RT EDGE PAVEMENT
 S.L.M. 721+88



Grid: Northing: _____ Easting: _____

RECORD:
 CL CONSTRUCTION
 STA 722+68.22
 Δ = 3°21' LT
 SET MAG/WASHER
 2/20/03, DCH



O.D.O.T. DISTRICT 2 SURVEY OFFICE

PERSONNEL

REFERENCE NO. 29-B
29-C

SHEET 28 OF

NOTES HOFFMAN

H.C. LOSHKOFF

R.C. BARNHISEL

SOCKMAN

DATE 6-17-87

WEATHER CLEAR

TEMP. 85°

ROUTE SR 18

COUNTY WOOD

TOWNSHIP HENRY

SECTION 36

T.3 N R.10 E

TYPE MONUMENT SMALL RR SPIKES

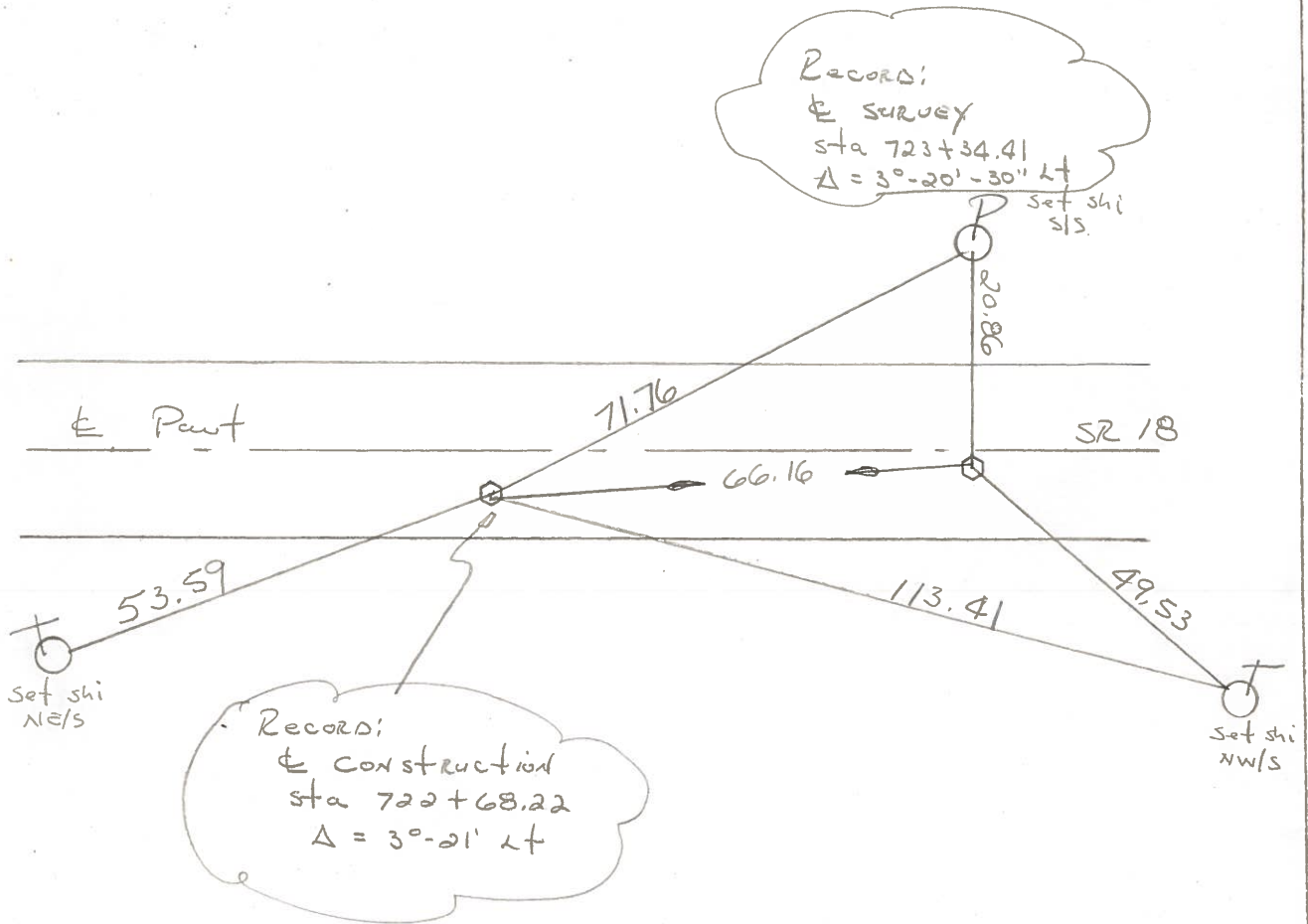
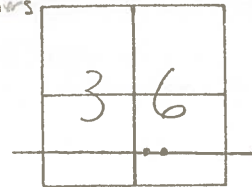
ON SURFACE - ~~BELOW~~ YES

~~LEFT- & PAV'T. - RIGHT~~ 1.3 & survey

10.0 TO RT EDGE PAVEMENT & survey

S.L.M. 721+88 & survey

Set P.K.'s/washers
7-24-87
JWA



O.D.O.T. DISTRICT 2 SURVEY OFFICE

Sht. 21 of 22
S.R.18

County WOOD

Date 6-16-78

Township HENRY

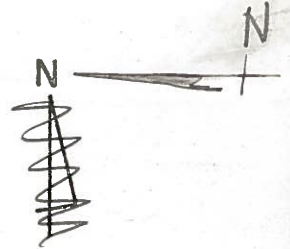
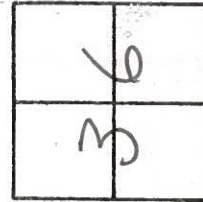
Weather CLOUDY

Section 36

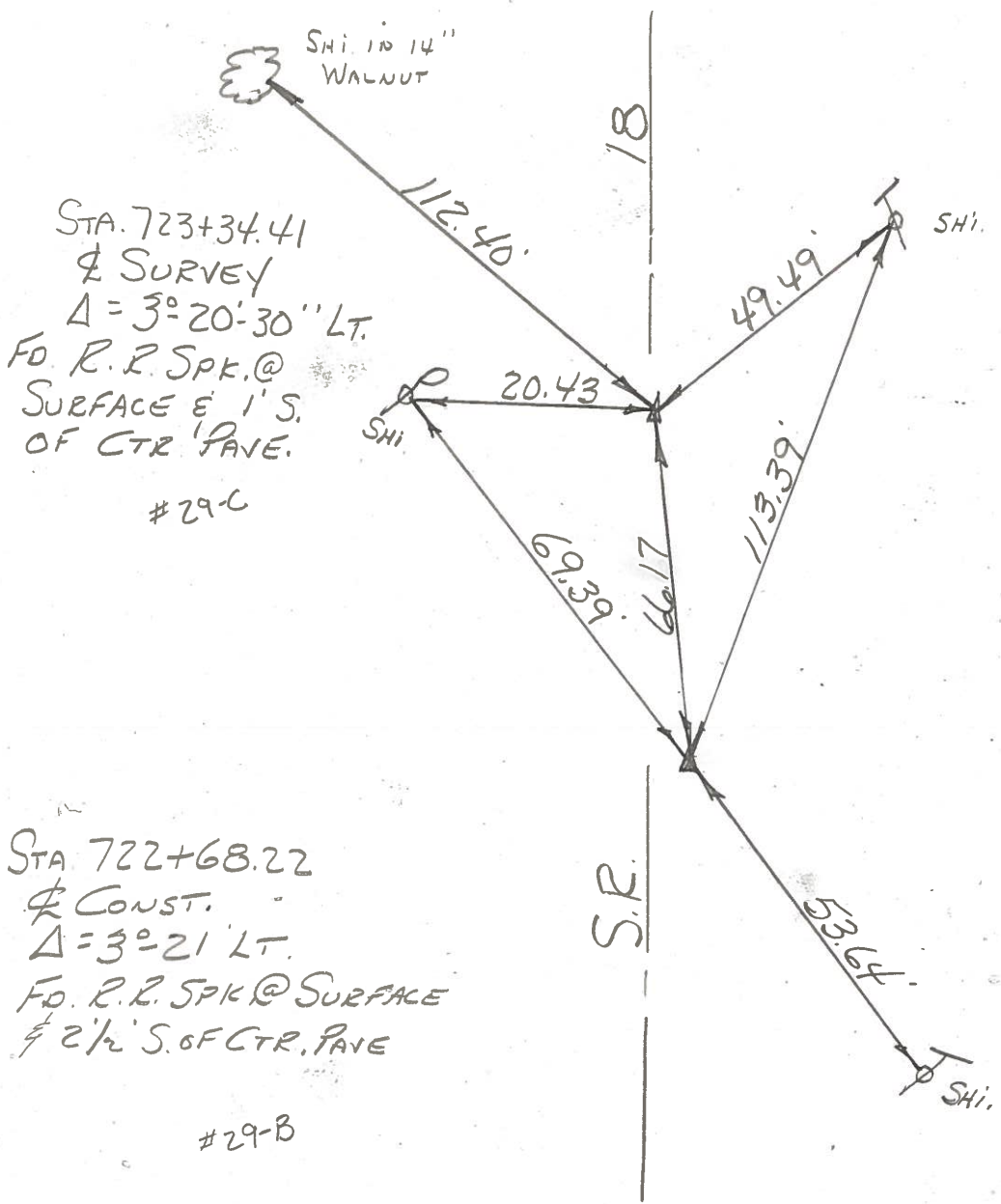
Temp. +78'

T N, R E

Personnel BURNSIDE
SMITH
BOWERS
KNAPE
MEAD



29-B-29-C



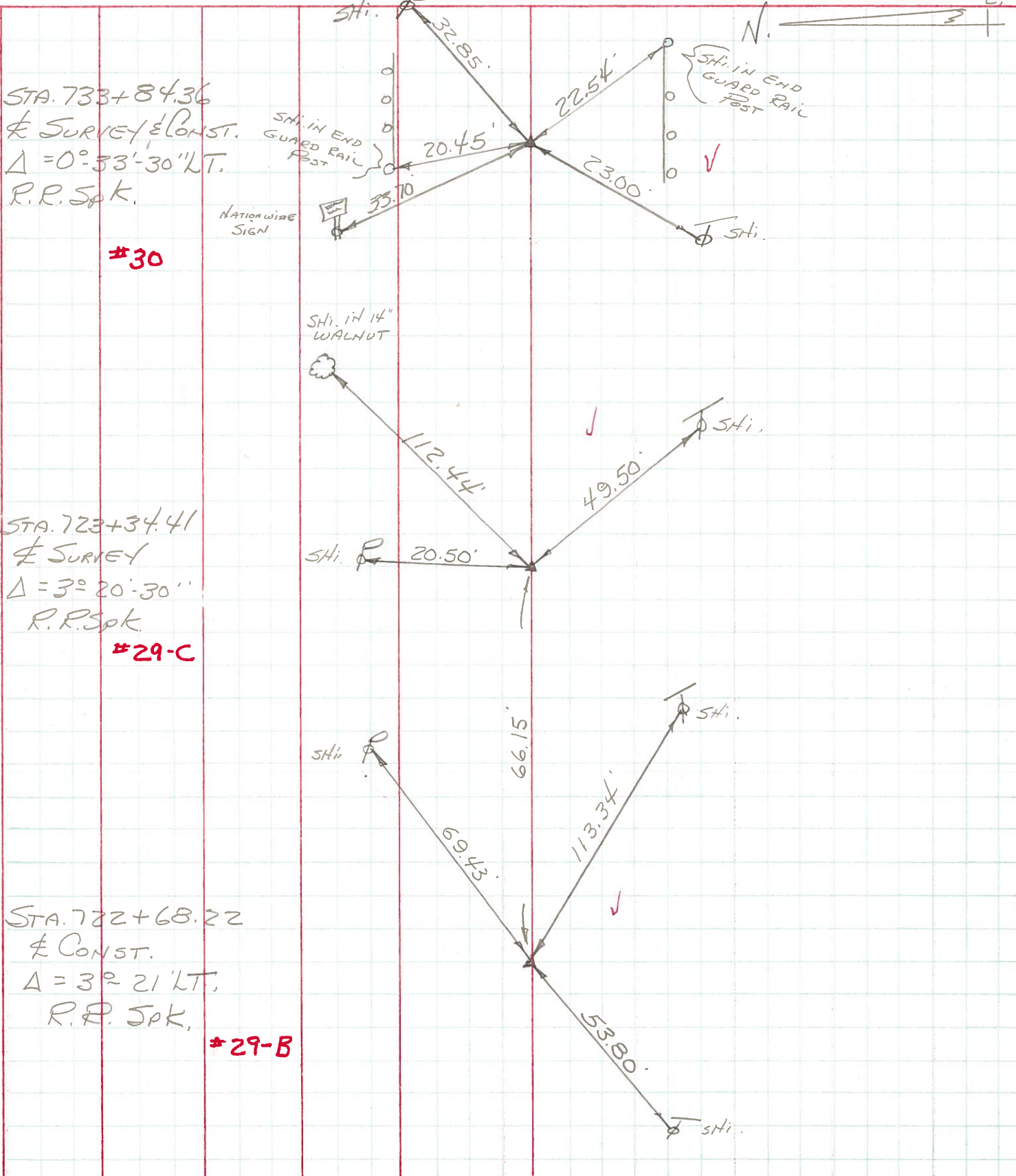
STA. 723+34.41
 & SURVEY
 $\Delta = 3^{\circ}20'30''$ LT.
 Fd. R.R. SPK. @
 SURFACE E 1' S.
 OF CTR. PAVE.
 #29-C

STA 722+68.22
 & CONST.
 $\Delta = 3^{\circ}21'$ LT.
 Fd. R.R. SPK @ SURFACE
 & 2 1/2' S. OF CTR. PAVE
 #29-B

PERSONNEL TITLE PERSONNEL TITLE
BURNSIDE _____ Rocchini _____
Smith _____ _____
Bowers _____ _____
HOLCOMBE _____ _____

COUNTY WOOD DATE 6-21-71
 S. R. 18 WEATHER CLEAR
 SEC. _____ TEMP. +72°

DESCRIPTION _____ LEFT _____ CENTER LINE _____ RIGHT _____ JOB NO. _____



STA. 733+84.36
 & SURVEY & CONST.
 $\Delta = 0^\circ 33' 30''$ LT.
 R.R. Spk.

#30

STA. 723+34.41
 & SURVEY
 $\Delta = 3^\circ 20' 30''$
 R.R. Spk.

#29-C

STA. 722+68.22
 & CONST.
 $\Delta = 3^\circ 21'$ LT.
 R.R. Spk.

#29-B