

O.D.O.T. DISTRICT 2 SURVEY OFFICE (USE ONLY)

PERSONNEL

REFERENCE NO. 33 D

SHEET 8 OF 35

NOTES HOMAN

DATE 8/25/14

ROUTE SR 18

H.C. LEU

WEATHER SUNNY

COUNTY WOOD

R.C. RHOADES

TEMP. 80°

TOWNSHIP BLOOM

SECTION 31

DWG BY MILLER

PID 93417

T 3 N R 11 E

TYPE MONUMENT P.K.NAIL

ON SURFACE - ~~BELOW~~ ON

OFFSET 0.4' LT : ~~RT~~

8.7' TO LT EDGE PAVEMENT

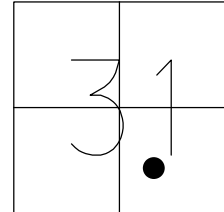
STATION: 775+30.97

HORZ. DATUM: NAD83 (2011)

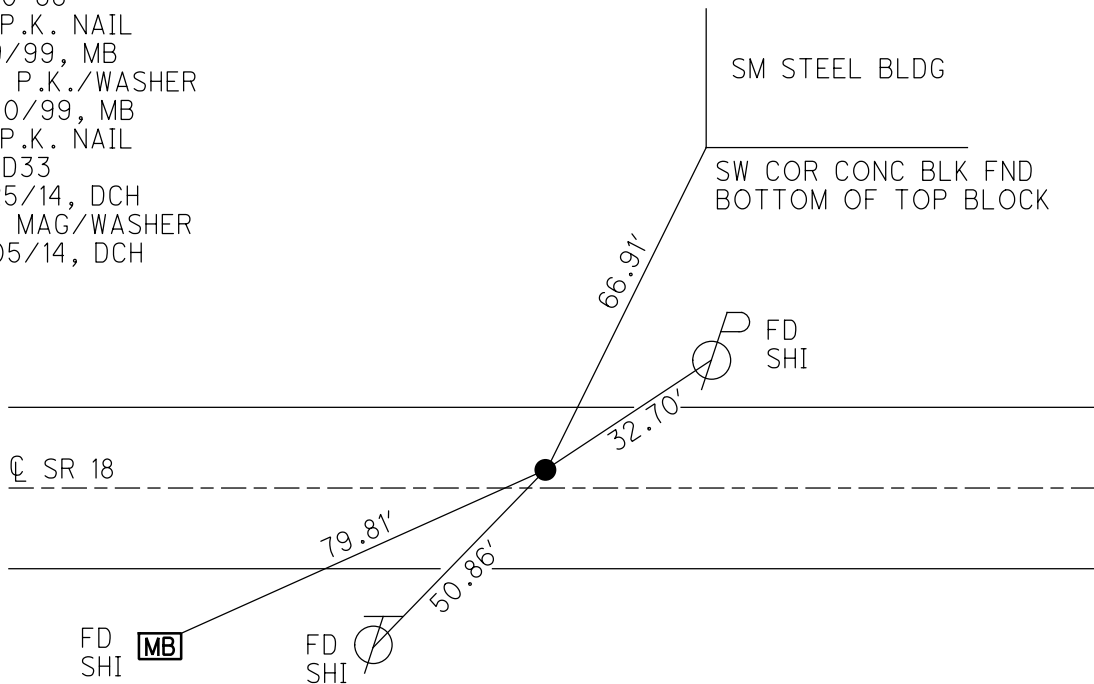
GEOID: 2012A

GRID: NORTHING: 550775.634

EASTING: 1654907.567



RECORD:  
 FD FR/OLD SURVEY  
 OBSERVED  
 $\Delta=02^{\circ}47'56''$  RT  
 8-30-88  
 FD P.K. NAIL  
 6/9/99, MB  
 SET P.K./WASHER  
 7/20/99, MB  
 FD P.K. NAIL  
 REFD33  
 8/25/14, DCH  
 SET MAG/WASHER  
 11/05/14, DCH



# O.D.O.T. DISTRICT 2 SURVEY OFFICE

PERSONNEL \_\_\_\_\_

REFERENCE NO. \_\_\_\_\_

SHEET 3 OF 29

NOTES Barbise / RC

H.C. Roller (DRAWN)

R.C. \_\_\_\_\_

DATE 6-9-99

WEATHER hot

TEMP. 85°

ROUTE 18

COUNTY WOOD

TOWNSHIP Bloom

SECTION 31

T J N R I I E

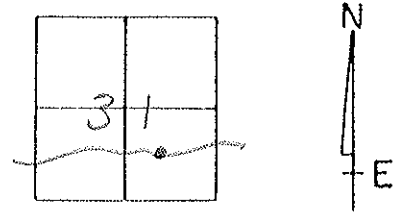
TYPE MONUMENT P.K. NAIL

ON SURFACE - BELOW 3"

LEFT - CL PAV'T. - RIGHT 0.4'

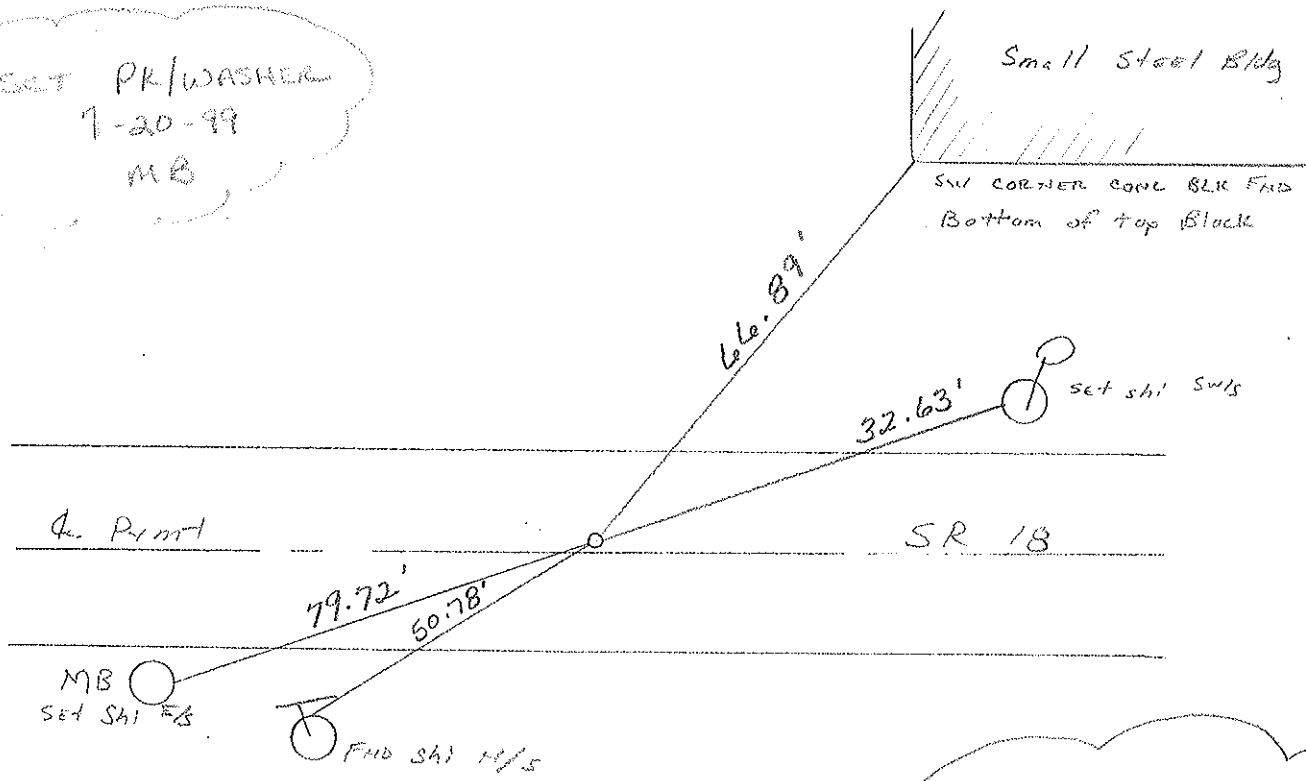
8.7' TO L EDGE PAVEMENT

S.L.M. 275+71



Point Found From old Survey  
OBSERVED  $\Delta = 02^{\circ} 49' 56''$  RT 8-30-88

RESET PK/WASHER  
 7-20-99  
 MB



PK SET By SSOE  
 For BRIDGE SURVEY  
 0.02  
 0.53  
 P.K. SET BY  
 ASKIN MERCER

# O.D.O.T. DISTRICT 2 SURVEY OFFICE

PERSONNEL \_\_\_\_\_

REFERENCE NO. 31 B

SHEET \_\_\_\_\_ OF \_\_\_\_\_

NOTES HOFFMAN

H.C. LOSHRICE

R.C. BARNHISEL

DATE 9-30-88

WEATHER CLEAR

TEMP. 74°

ROUTE SR 18

COUNTY WOOD

TOWNSHIP Bloom

SECTION 31

T. 3 N R. 11 E

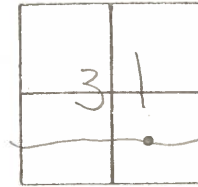
TYPE MONUMENT P.K. Nail

ON SURFACE - BELOW 3"

LEFT - & PAV'T. - RIGHT 0.4

8.7 TO LT EDGE PAVEMENT

S.L.M. \_\_\_\_\_



POINT FOUND FROM OLD SURVEY  
OBSERVED  $\Delta = 02^{\circ} - 47' - 56''$  RT.

