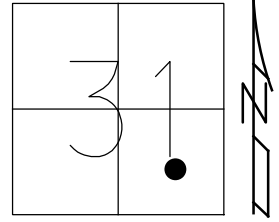


O.D.O.T. DISTRICT 2 SURVEY OFFICE (USE ONLY)

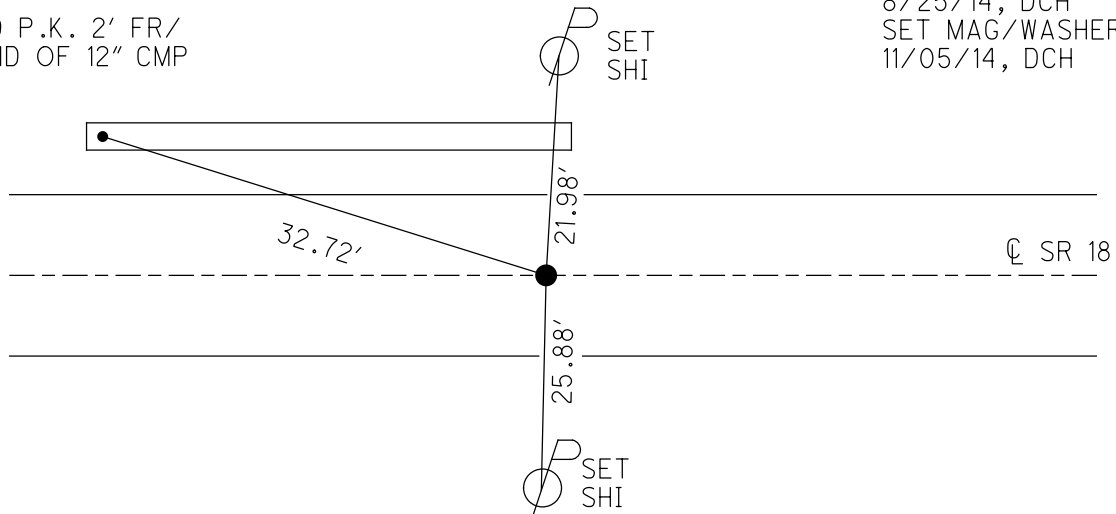
PERSONNEL \_\_\_\_\_ REFERENCE NO. 33 E SHEET 9 OF 35  
 NOTES HOMAN DATE 8/25/14 ROUTE SR 18  
 H.C. LEU WEATHER SUNNY COUNTY WOOD  
 R.C. RHOADES TEMP. 80° TOWNSHIP BLOOM  
 DWG BY MILLER PID 93417 SECTION 31  
 T 3 N R 11 E

TYPE MONUMENT P.K.NAIL  
 ON SURFACE - ~~BELOW~~ ON  
 OFFSET CL PAVEMENT ON LT : ~~RT~~  
9.3' TO RT EDGE PAVEMENT  
 STATION: 787+62.68  
 HORZ.DATUM: NAD83 (2011) GEOID: 2012A  
 GRID: NORTHING: 550493.862 EASTING: 1656106.624



RECORD:  
 FD FR/OLD SURVEY  
 OBSERVED  
 $\Delta=04^{\circ}02'43''$  RT  
 9-26-88  
 FD R.R. SPIKE  
 6/9/99, MB  
 SET P.K./WASHER  
 7/20/99, MB  
 FD P.K. NAIL  
 REFE33  
 8/25/14, DCH  
 SET MAG/WASHER  
 11/05/14, DCH

FD P.K. 2' FR/  
 END OF 12" CMP



# O.D.O.T. DISTRICT 2 SURVEY OFFICE

PERSONNEL \_\_\_\_\_

REFERENCE NO. \_\_\_\_\_

SHEET 4 OF 29

NOTES Barnhiser RC

H.C. Roussos (DRAWN)

R.C. \_\_\_\_\_

DATE 6-9-99

WEATHER Sunny

TEMP. 80°

ROUTE SR 18

COUNTY Wood

TOWNSHIP Bloom

SECTION 31

T 3 N R 11 E

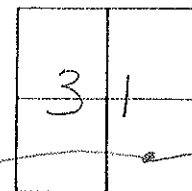
TYPE MONUMENT RR spike

ON SURFACE - BELOW 3"

LEFT - CL PAV'T. - RIGHT YES

9.5 TO R+ EDGE PAVEMENT

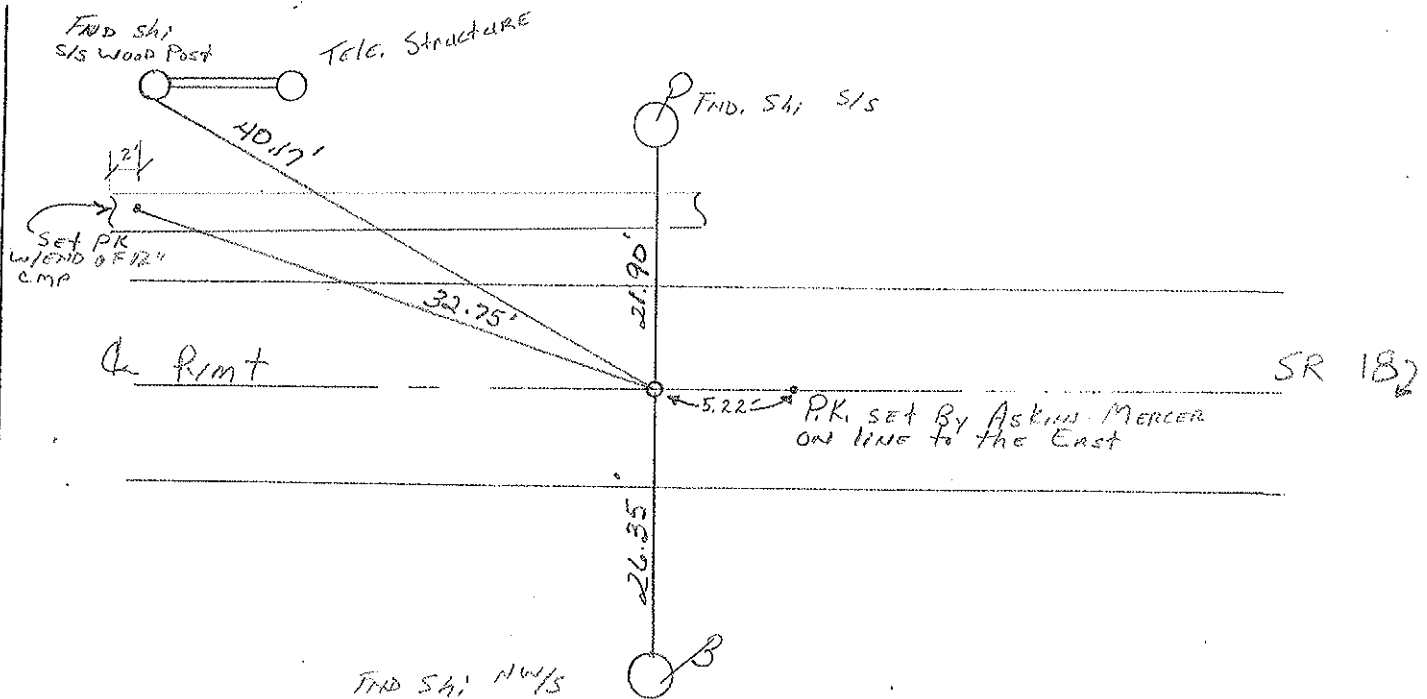
S.L.M. 788+03



POINT FOUND FROM Old Survey  
OBSERVED  $\Delta = 04^{\circ} 02' - 43" LT$  9.26.88

SSOE. Plat Sta  $\approx 787+646$

RESET PK/WASHER  
 7-20-99  
 MB



# O.D.O.T. DISTRICT 2 SURVEY OFFICE

PERSONNEL \_\_\_\_\_

REFERENCE NO. 32

SHEET \_\_\_\_\_ OF \_\_\_\_\_

NOTES HOFFMAN

H.C. LOSHRKS

DATE 4-16-90

ROUTE SR 18

R.C. BARNHISEL

WEATHER P. CLEAR

COUNTY WOOD

TEMP. 45°

TOWNSHIP Bloom

SECTION 31

T 3 N R 11 E

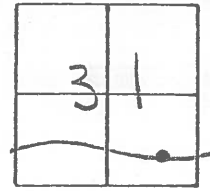
TYPE MONUMENT R.R. SPIKE

ON SURFACE - BELOW 3"

LEFT- & PAV'T. - RIGHT YES

9.6 TO R EDGE PAVEMENT

S.L.M. \_\_\_\_\_



POINT FOUND FROM OLD SURVEY  
OBSERVED  $\Delta = 04^{\circ} - 02' - 43''$  LT.

SSOE. PLAN Sta  $\pm 787+64.1$

