

O.D.O.T. DISTRICT 2 SURVEY OFFICE (USE ONLY)

PERSONNEL

REFERENCE NO. 38

SHEET 23 OF 36

NOTES O'DONNELL

DATE 11/5/20

ROUTE SR 18

H.C. AUBLE

WEATHER CLOUDY/WINDY

COUNTY WOOD

R.C. O'DONNELL

TEMP. 50°

TOWNSHIP BLOOM

DWG BY RHOADES PID 95796

SECTION 34

T 3 N R 11 E

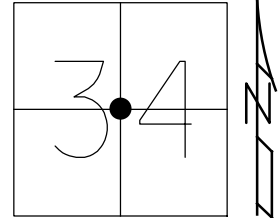
TYPE MONUMENT MAG/WASHER

ON SURFACE - ~~BELOW~~ ON

OFFSET 7.6' TO RT PAVEMENT 1.8' ± : RT

7.6' TO RT EDGE PAVEMENT

STATION: 938+59.23



HORZ. DATUM: NAD83 (2011)

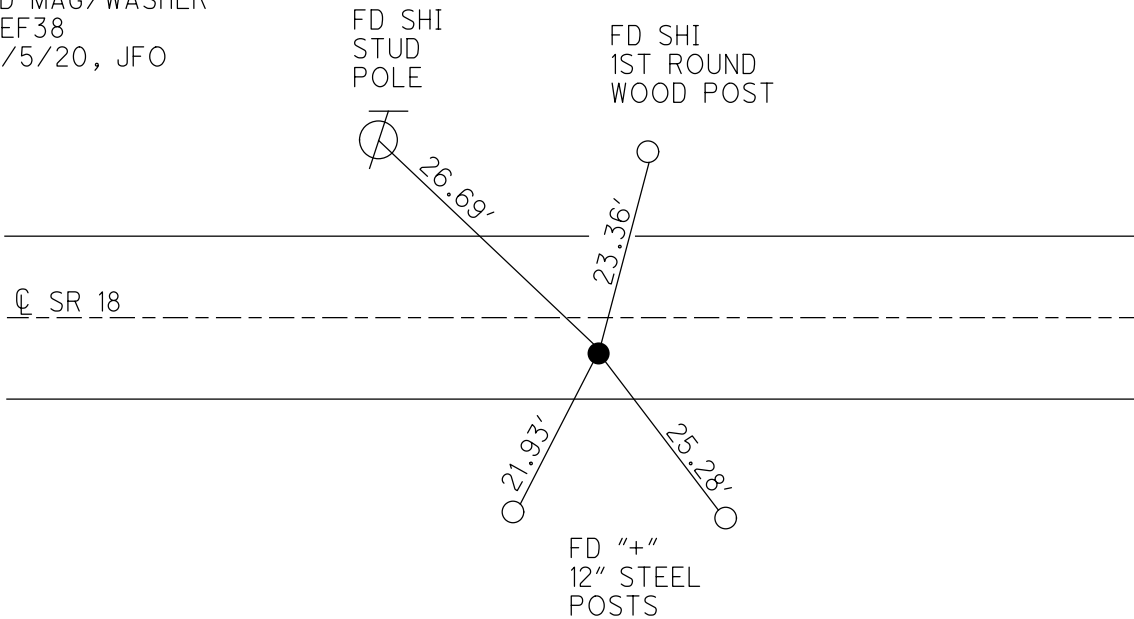
GEOID: NAVD88 2018

GRID: NORTHING: 551156.854

EASTING: 1670373.913

RECORD:  
 FD SM R.R. SPIKE  
 6/16/99, MB  
 SET P.K./WASHER  
 7/20/99, TR  
 FD P.K.NAIL  
 REF38  
 8/26/14, DCH  
 SET MAG/WASHER  
 11/13/14, DCH  
 FD MAG/WASHER  
 REF38  
 11/5/20, JFO

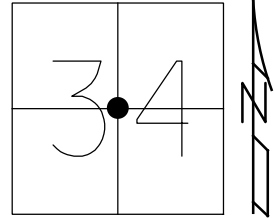
WOOD LDP:  
 N: 373236.447  
 E: 182491.064



O.D.O.T. DISTRICT 2 SURVEY OFFICE (USE ONLY)

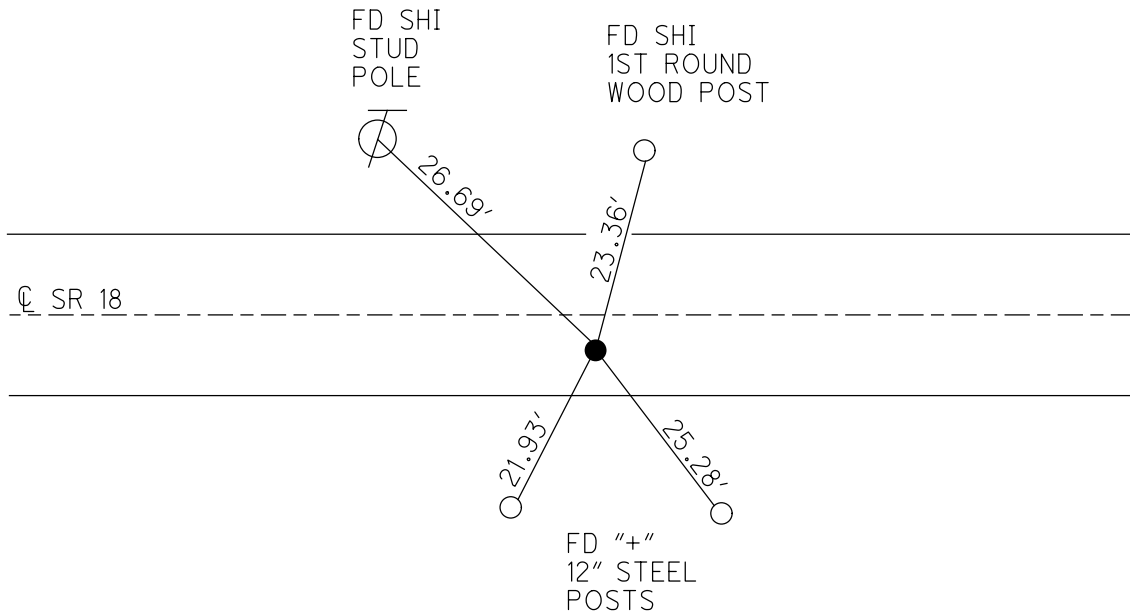
PERSONNEL \_\_\_\_\_ REFERENCE NO. 38 SHEET 23 OF 35  
 NOTES HOMAN DATE 8/26/14 ROUTE SR 18  
 H.C. LEU WEATHER SUNNY COUNTY WOOD  
 R.C. HOMAN TEMP. 75° TOWNSHIP BLOOM  
 \_\_\_\_\_ SECTION 34  
 DWG BY MILLER PID 93417 T 3 N R 11 E

TYPE MONUMENT P.K.NAIL  
 ON SURFACE - ~~BELOW~~ ON  
 OFFSET Q PAVEMENT 1.8' ~~LT~~ : RT  
7.6' TO RT EDGE PAVEMENT  
 STATION: 938+59.23



HORIZ.DATUM: NAD83 (2011) GEOID: 2012A  
 GRID: NORTHING: 551156.895 EASTING: 1670373.879

RECORD:  
 FD SM R.R. SPIKE  
 6/16/99, MB  
 SET P.K./WASHER  
 7/20/99, TR  
 FD P.K./ WASHER  
 REF38  
 8/26/14, DCH  
 SET MAG/WASHER  
 11/13/14, DCH



# O.D.O.T. DISTRICT 2 SURVEY OFFICE

PERSONNEL \_\_\_\_\_

REFERENCE NO. 38

SHEET 17 OF 29

NOTES Barthel

H.C. Canterbury

DATE 6-9-99

ROUTE SR 18

R.C. Rousar III

WEATHER Sunny

COUNTY Wood

TEMP. 90°

TOWNSHIP Bloom

SECTION 34

T3 N R 11 E

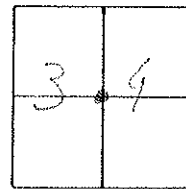
TYPE MONUMENT Small RR spike

ON SURFACE - ~~BELOW~~ Surface

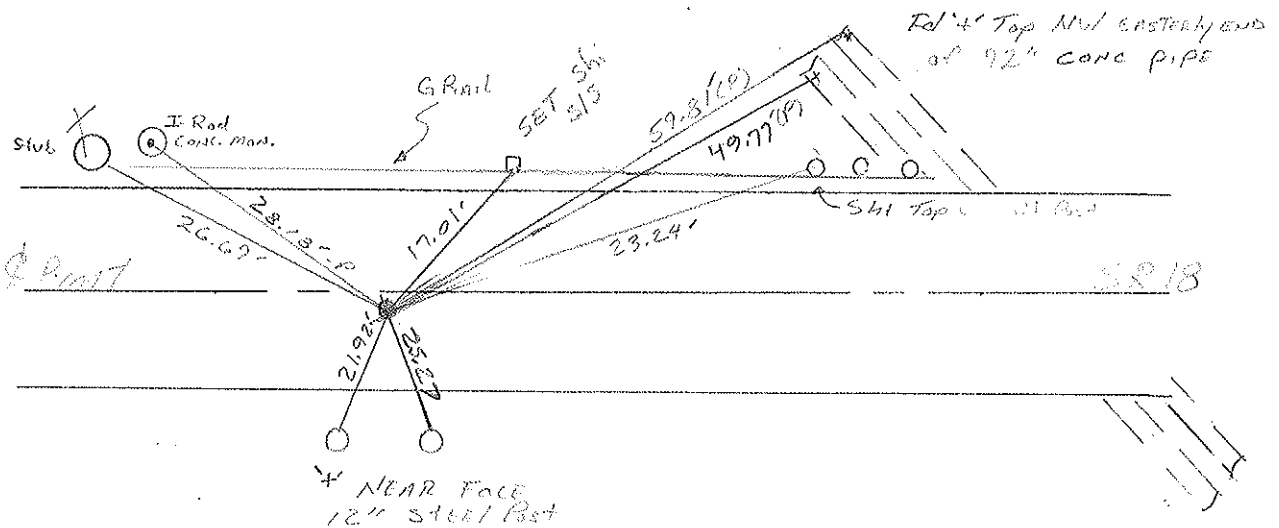
~~LEFT - C~~ PAV'T. - RIGHT 1.8'

7.6' TO RT EDGE PAVEMENT

S.L.M. 938-39



Reset  
 PK 5545  
 7-20-99  
 TR



# O.D.O.T. DISTRICT 2 SURVEY OFFICE

PERSONNEL

REFERENCE NO. 38

SHEET \_\_\_\_\_ OF \_\_\_\_\_

NOTES HOFFMAN

H.C. BARNHISEL

DATE 5-13-86

ROUTE SR 18

R.C. PISTRYKOWSKI

WEATHER P. CLEAR

COUNTY WOOD

TEMP. 70°

TOWNSHIP Bloom

SECTION 34

T3 N R 11 E

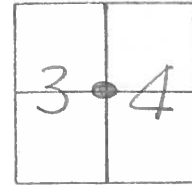
TYPE MONUMENT SMALL RR SPIKE

ON SURFACE - BELOW yes

LEFT- & PAV'T. - RIGHT 1.8'

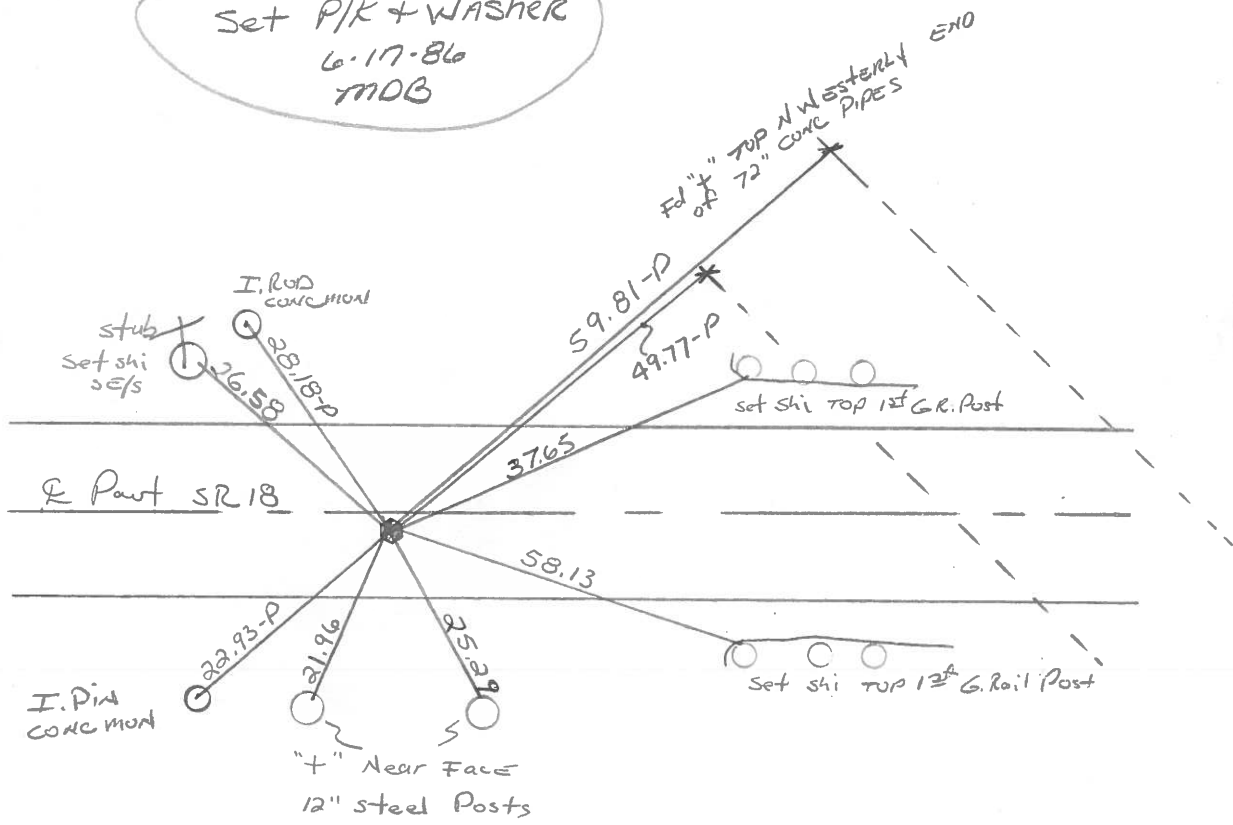
7.0 TO RT EDGE PAVEMENT

S.L.M. 937 +60



97+05.45

Set P/K + Washer  
6.17.86  
MOB



County Wood S.R. 18

Date 5-4-1979

Township Bloom

Weather Cloudy

Section Interior Corner Sec. 34

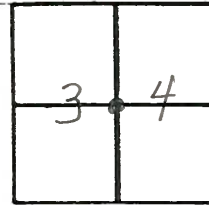
Temp. 45°

T3N, R1E

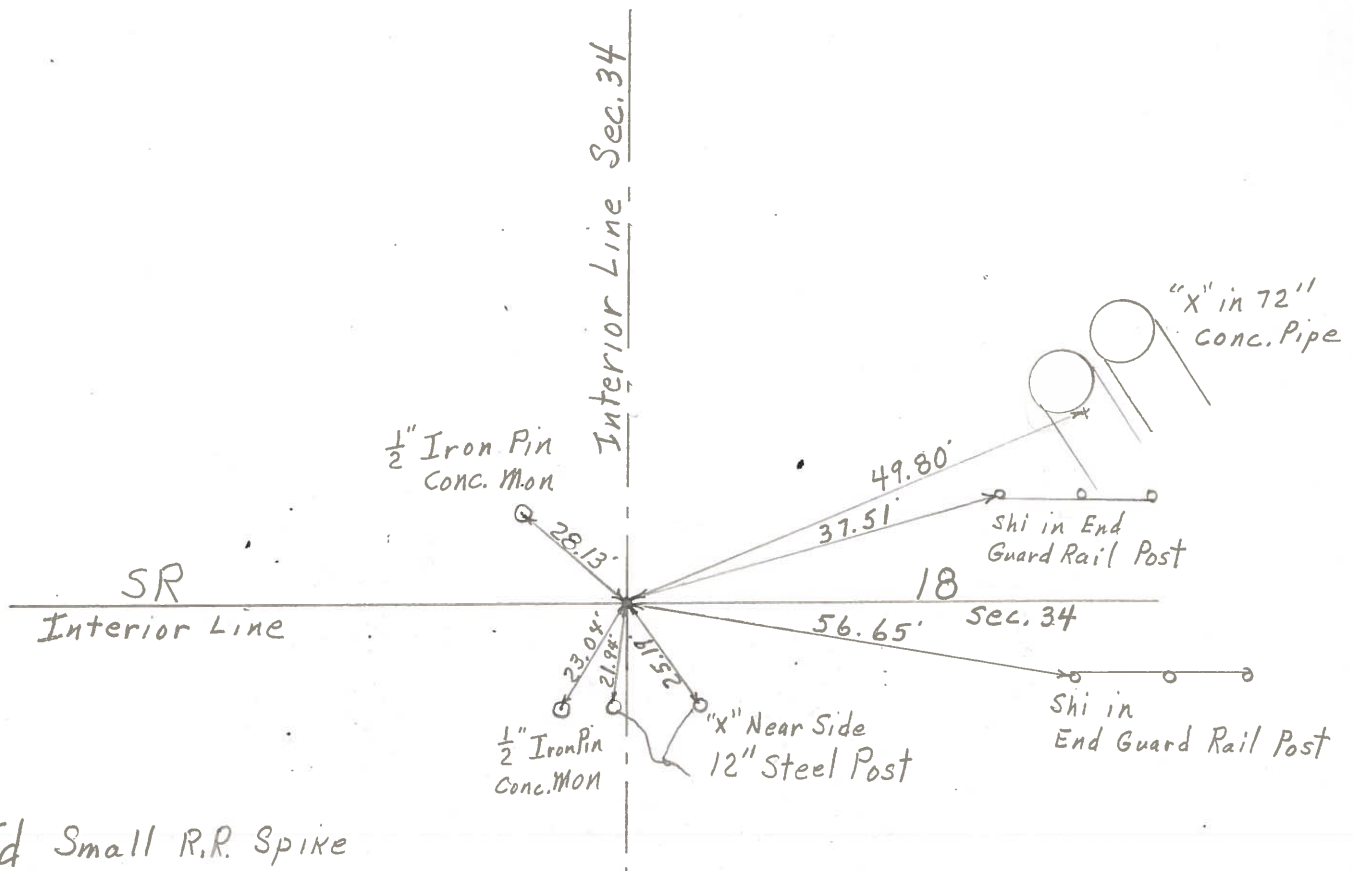
Personnel Smith

Bowers

Mead



38



Fd Small R.R. Spike  
 @ Surface 1' S of Center of Road  
 Assumed to be  
 Interior Corner of  
 Section 34  
 Bloom Twp

PERSONNEL	TITLE	PERSONNEL	TITLE
BURNSIDE			
SMITH			
ROCCHINI			
HOLCOMBE			

COUNTY WOOD DATE 6-22-71  
 S. R. 18 WEATHER CLEAR  
 SEC. 34 TEMP. +75°

DESCRIPTION \_\_\_\_\_ LEFT \_\_\_\_\_ CENTER LINE \_\_\_\_\_ RIGHT \_\_\_\_\_ JOB NO. \_\_\_\_\_



(Assumed)  
 INTERIOR CORNER  
 SEC. 34  
 BLOOM TWP.  
 T-3-N R-11-E

#38

