

O.D.O.T. DISTRICT 2 SURVEY OFFICE (USE ONLY)

PERSONNEL _____

REFERENCE NO. 1

SHEET 1 OF 15

NOTES BARNHISEL

DATE 9/5/02

ROUTE US 20

H.C. HOMAN

WEATHER SUNNY

COUNTY WOOD

R.C. BEAUMONT

TEMP. 70°

TOWNSHIP PERRYSBURG

SECTION RT 67

DWG BY NIESE

PID _____

T 4 N

TYPE MONUMENT P.K. NAIL

ON SURFACE - ~~BELOW~~ ON

OFFSET ☑ PAVEMENT _____ LT : RT

23.6' TO RT EDGE PAVEMENT

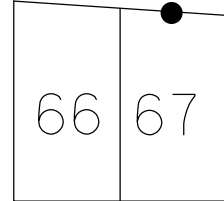
STATION: 19+82

HORZ. DATUM: _____

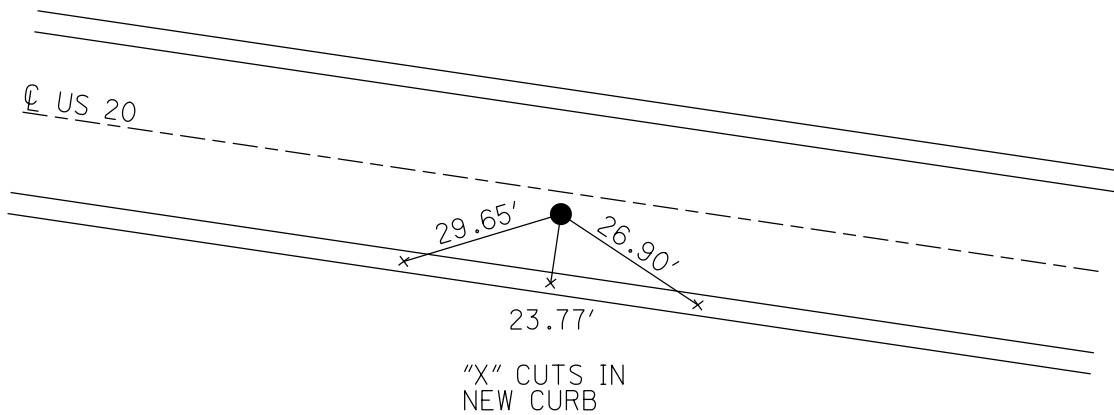
GEOID: _____

GRID: NORTHING: _____

EASTING: _____



RECORD: P.I.
 STA 19+64.03
 $\Delta = 15^\circ 17' 30''$
 $D = 4^\circ$
 $R = 1432.40'$
 P.C. = 17+71.74
 P.I. = 19+64.03
 P.T. = 21+54.03
 FD P.K.
 9/5/02, MB



O.D.O.T. DISTRICT 2 SURVEY OFFICE

PERSONNEL _____ REFERENCE NO. _____ SHEET _____ OF _____

NOTES BARNHISEL

H.C. Homan

R.C. Beaumont

DATE 09/05/02

WEATHER Sunny

TEMP. +70°

ROUTE 65 E us 20

COUNTY WOOD

TOWNSHIP Perrysburg

SECTION _____

T _____ R _____

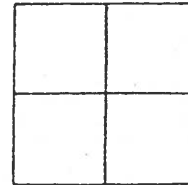
TYPE MONUMENT PK

ON SURFACE - BELOW yes

LEFT - ☉ PAV'T. - RIGHT _____

23.6 TO RT EDGE PAVEMENT CURB

S.L.M. 19+82



RECORD PI PLAN Sta: 19+64.03

CURVE DATA For us 20

$\Delta = 15^\circ - 17' - 30''$

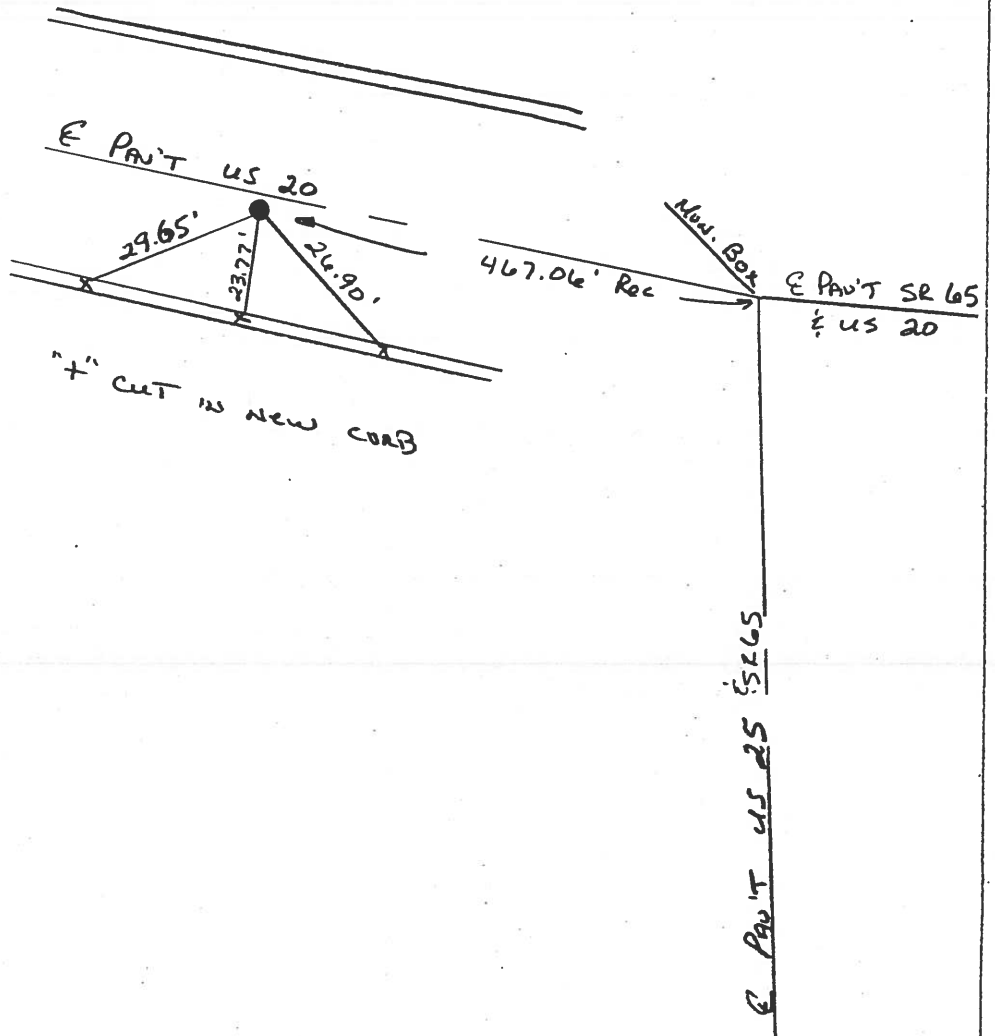
$D = 4^\circ$

$R = 1432.40'$

$PC = 17+71.74$

$PI = 19+64.03$

$PT = 21+54.03$



County WOOD S.R. 20 E 65

Township Perrysburg

Section _____

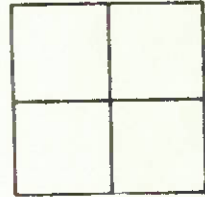
T N, R E

Personnel LOEHMKE
Hoffman R.C.
BARNHISEL H.C.

Date 6-4-85

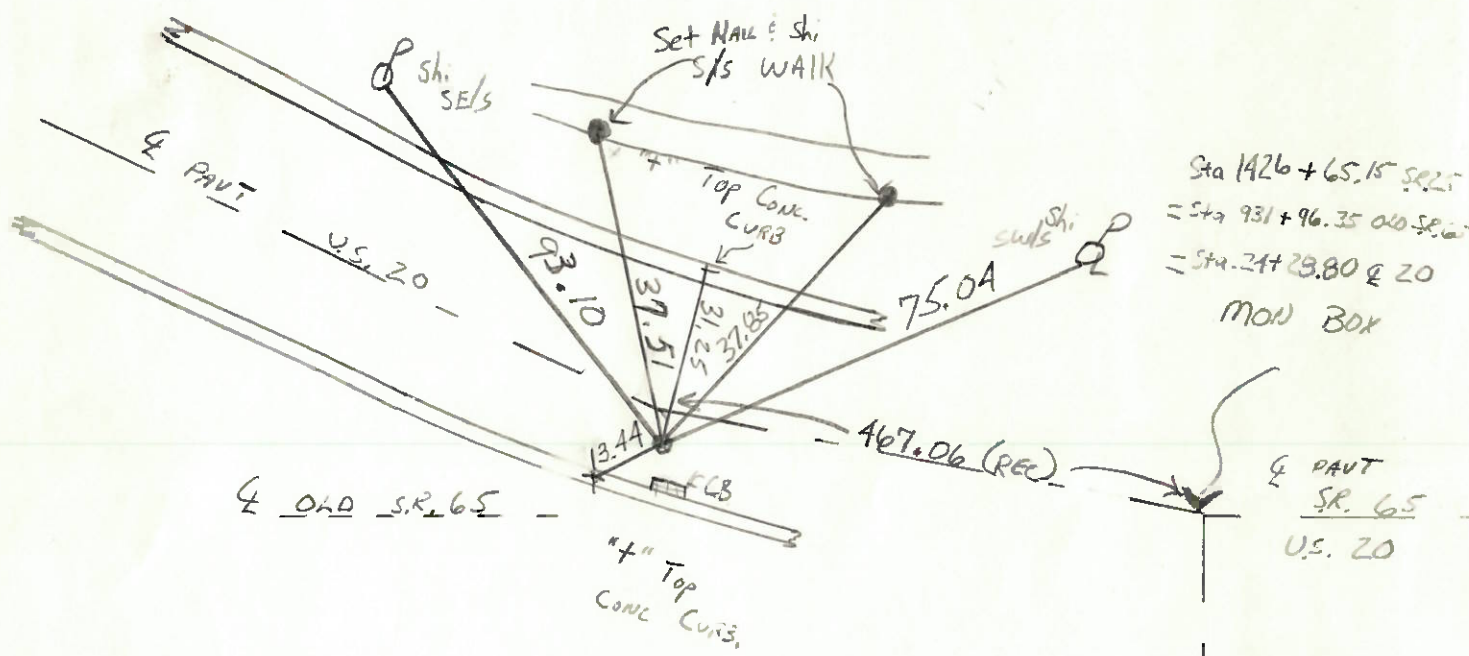
Weather Pt Cloudy

Temp. +68



P.I. PLAN STA 19+64.03
 5.2 L of R_E CURB

NOT COVERED SLM 19+82



CURVE DATA FOR
 P.I. ON U.S. 20
 $\Delta = 15^\circ - 17' - 30''$
 $D = 4^\circ - 00'$
 $R = 1432.40$

P.C. = 17+71.74
 P.I. = 19+64.03
 P.T. = 21+54.03

Sta 1426 + 65.15 SETS
 = Sta 931 + 96.35 O.D. S.R. 65
 = Sta. 21 + 23.80 E 20
 MON BOX

U.S. 20

S.R. 25

PERSONNEL	TITLE	PERSONNEL	TITLE	COUNTY	DATE	WEATHER	TEMP.
Stone				Wood	9 April 75	Cloudy	33°
Michalak				#20			
Danno				Perryburg			
Curtis							

DESCRIPTION: Reference to Central Point JOB NO. _____

LEFT CENTER LINE RIGHT

