

O.D.O.T. DISTRICT 2 SURVEY OFFICE (USE ONLY)

PERSONNEL

REFERENCE NO. 13

SHEET 11 OF 13

NOTES HOFFMAN  
 H.C. LOEHRKE  
 R.C. HOUSEHOLDER  
BARNHISEL

DATE 9/7/83  
 WEATHER CLEAR  
 TEMP. 70°

ROUTE US 20  
 COUNTY WOOD  
 TOWNSHIP PERRYSBURG  
 SECTION 3  
T 4 N R 11 E

DWG BY JAMES PID 83592, 102808

TYPE MONUMENT MONBOX

ON SURFACE - ~~BELOW~~ ON

OFFSET  $\varnothing$  PAVEMENT \_\_\_\_\_ LT : RT

\_\_\_\_\_ TO \_\_\_\_\_ EDGE PAVEMENT

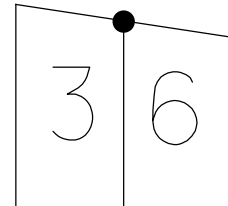
STATION: 200+64

HORZ.DATUM: NAD83 2011

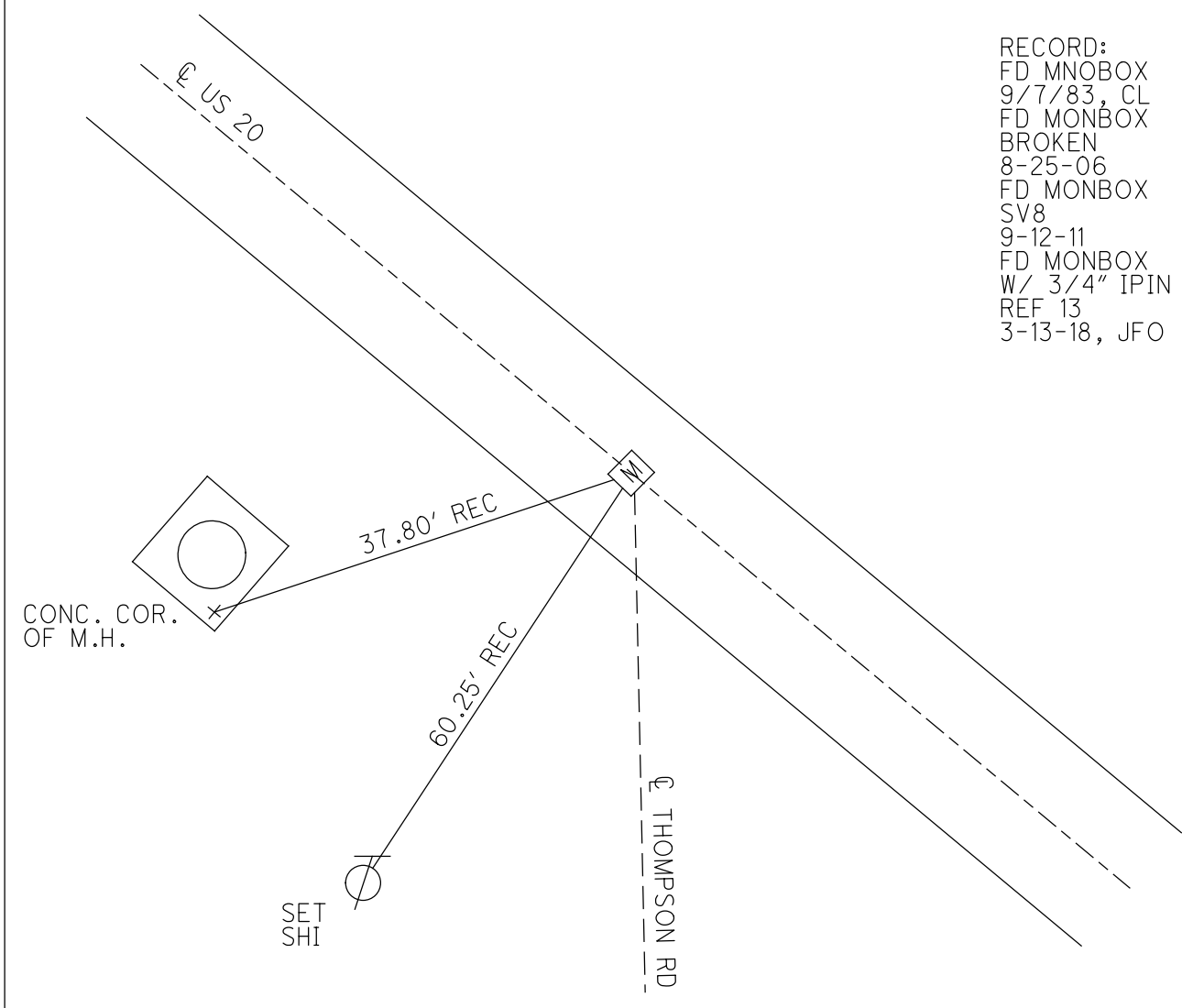
GEOID: NAVD88 2012A

GRID: NORTHING: 685617.649

EASTING: 1670961.809



RECORD:  
 FD MNOBOX  
 9/7/83, CL  
 FD MONBOX  
 BROKEN  
 8-25-06  
 FD MONBOX  
 SV8  
 9-12-11  
 FD MONBOX  
 W/ 3/4" IPIN  
 REF 13  
 3-13-18, JFO



O.D.O.T. DISTRICT 2 SURVEY OFFICE (USE ONLY)

PERSONNEL

REFERENCE NO. 13

SHEET 11 OF 13

NOTES HOFFMAN

DATE 09-07-83

ROUTE US 20

H.C. LOEHRKE

WEATHER CLEAR

COUNTY WOOD

R.C. HOUSEHOLDER

TEMP. 70°

TOWNSHIP PERRYSBURG

BARNHISEL

SECTION 4

T 4 N R 11 E

TYPE MONUMENT MONUMENT BOX

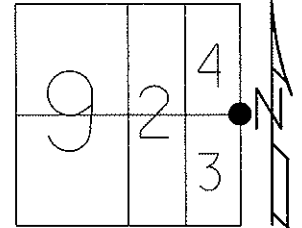
ON SURFACE - BELOW ON

LEFT - Q PAV'T - RIGHT         

         TO          EDGE PAVEMENT

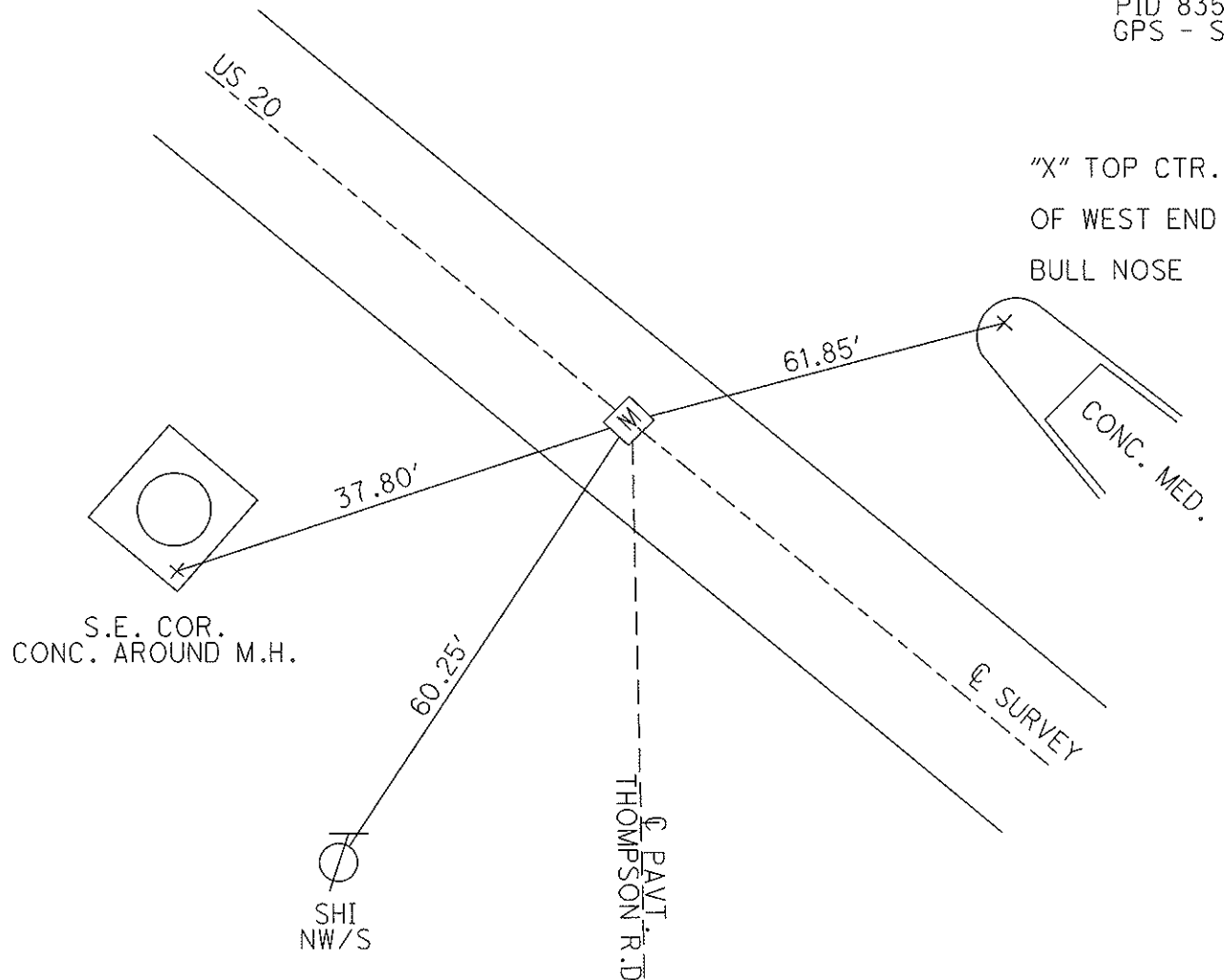
S.L.M. 200+64

Grid: Northing: 685617.622 Easting: 1670961.7236



08-25-06  
FD. BROKEN MON. BOX

09-12-11  
SHOT WITH WOO-20-3.52  
PID 83592  
GPS - SU8



ODOT. DISTRICT 2 SURVEY OFFICE

SHEET 8 OF

County WOOD <sup>U.S.</sup> S.R. 20

Date 9-7-83

Township PERRYSBURG

Weather CLEAR

Section \_\_\_\_\_

Temp. +70°

T N, R E

Personnel HOFFMAN

LOHRKE

HOUSEHOLDER

BARNHISEL

13

