

O.D.O.T. DISTRICT 2 SURVEY OFFICE (USE ONLY)

PERSONNEL

REFERENCE NO. 49 A

SHEET 9 OF 12

NOTES LOEHRKE

DATE 5/2/96

ROUTE US 20

H.C. ROUSOS

WEATHER FAIR

COUNTY WOOD

R.C. CANTERBURY

TEMP. 50°

TOWNSHIP TROY

SECTION RT 73

DWG BY NIESE PID _____

T 6 N R 12 E

TYPE MONUMENT NAIL/SHINER

ON SURFACE - ~~BELOW~~ ON

OFFSET CL PAVEMENT 13.3' LT : ~~RT~~

2.2' TO LT EDGE PAVEMENT

STATION: 721+49

HORIZ.DATUM: _____

GEOID: _____

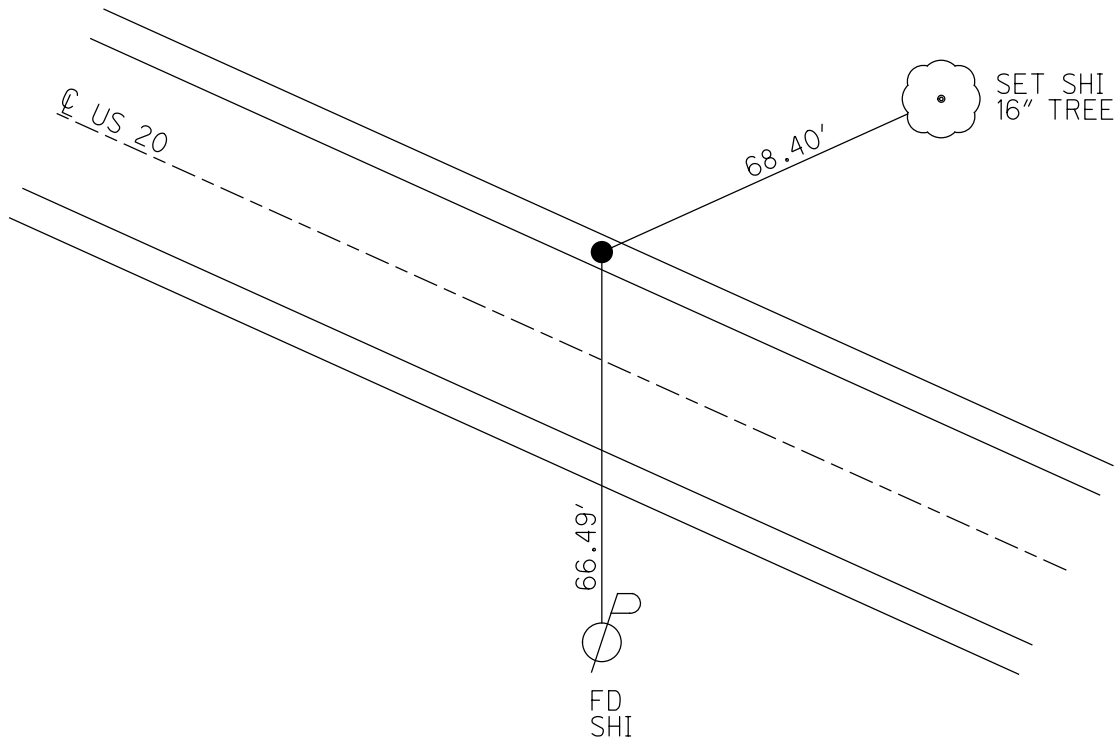
GRID: NORTHING: _____

EASTING: _____

RT 72	RT 73
71	74 ●



RECORD:
 STA 721+00
 FD NAIL/SHINER
 5/2/96, CL
 SET P.K./WASHER
 7/8/96, CL



O.D.O.T. DISTRICT 2 SURVEY OFFICE

PERSONNEL _____

REFERENCE NO. 49-A

SHEET 10 OF 13

NOTES Lochte

H.C. Rouss

R.C. Centerville

DATE 5/2/96

WEATHER FAIR

TEMP. 50F

ROUTE U.S. 20

COUNTY Wood

TOWNSHIP Troy

SECTION Rt. 71, 72, 73 & 74

T. 6 N R. 12 E

TYPE MONUMENT NAIL + SHINER

ON SURFACE - ~~BELOW~~ YES

LEFT - Q PAV'T. - RIGHT 13.3

2.2 TO LT EDGE PAVEMENT

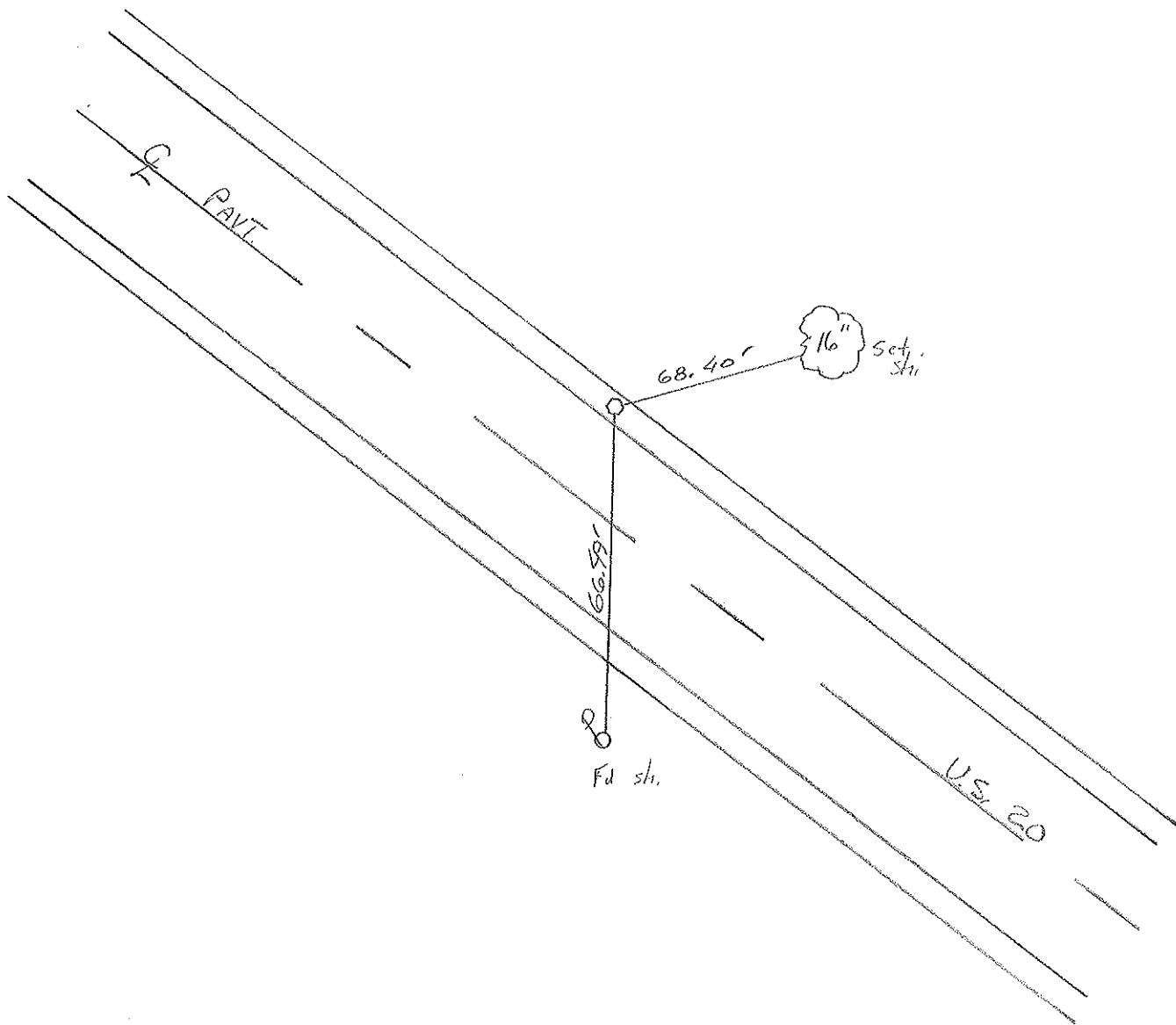
S.L.M. 721+99

SET PK + WASHER
7-B-96
1" C.L.

R.T. 72	R.T. 73
R.T. 71	R.T. 74



RECORD Sta. 721+00.00



O.D.O.T. DISTRICT 2 SURVEY OFFICE

PERSONNEL

REFERENCE NO. 49-A

SHEET OF

NOTES BARNHISEL

H.C. HOFFMAN

R.C. Loehrke

DATE MAY 23, 1986

WEATHER SUNNY

TEMP. +55°

ROUTE U.S. 20

COUNTY WOOD

TOWNSHIP Troy

SECTION R.T. 71, 72, 73, 74

T6 N R 12 E

TYPE MONUMENT NAIL + SHINER

ON SURFACE - ~~BELOW~~ yes

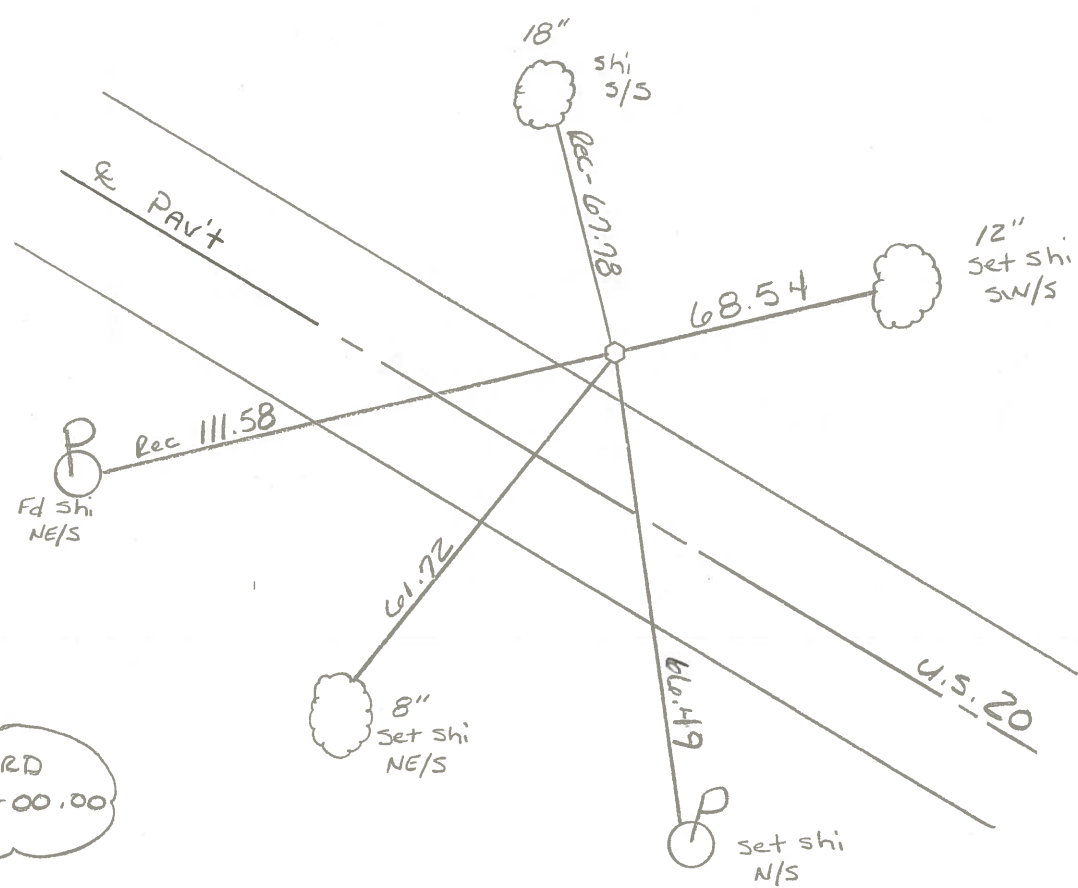
LEFT- & PAV'T. - ~~RIGHT~~ 13.3

2.7 L TO L EDGE PAVEMENT

S.L.M. 721+11

Set P.K. + washer
6-25-86
MAB

R.T. 72	R.T. 73
R.T. 71	R.T. 74



RECORD
721+00.00

County Wood S.R. US #20

Date 24 March 83

Township TROY

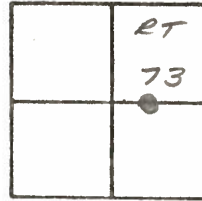
Weather Cool

Section RT. 73

Temp. 34°

T_N, R_E

Personnel 1. Stone

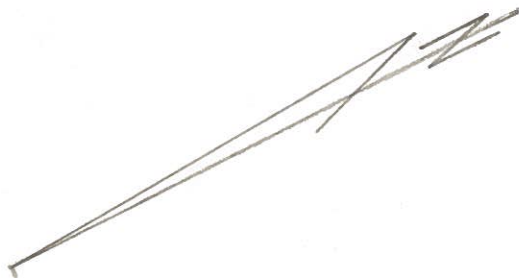



R. Michelak


D. Curtis

#49-A


REF. NO. 49A



67.78'  Shiner in 18" Tree

Put. 2
66.55'  Shiner

Set Nail & shiner
S.L.M. Sta. 721+00.00
2.2' to N. edge put.

111.58'  Shiner

3' 5" Set. Brn

US 20