

O.D.O.T. DISTRICT 2 SURVEY OFFICE (USE ONLY)

PERSONNEL

REFERENCE NO. 1

SHEET 1 OF 46

NOTES RHOADES

DATE 7/15/19

ROUTE US 23

H.C. O'DONNELL

WEATHER SUNNY

COUNTY WOOD

R.C. RHOADES

TEMP. 73°

TOWNSHIP PERRY

SECTION 36

DWG BY NIESE PID 105306

T 3 N R 12 E

TYPE MONUMENT MAG/WASHER

ON SURFACE - ~~BELOW~~ ON

OFFSET  $\varnothing$  PAVEMENT 0.3' LT : RT

22.2' TO LT EDGE PAVEMENT

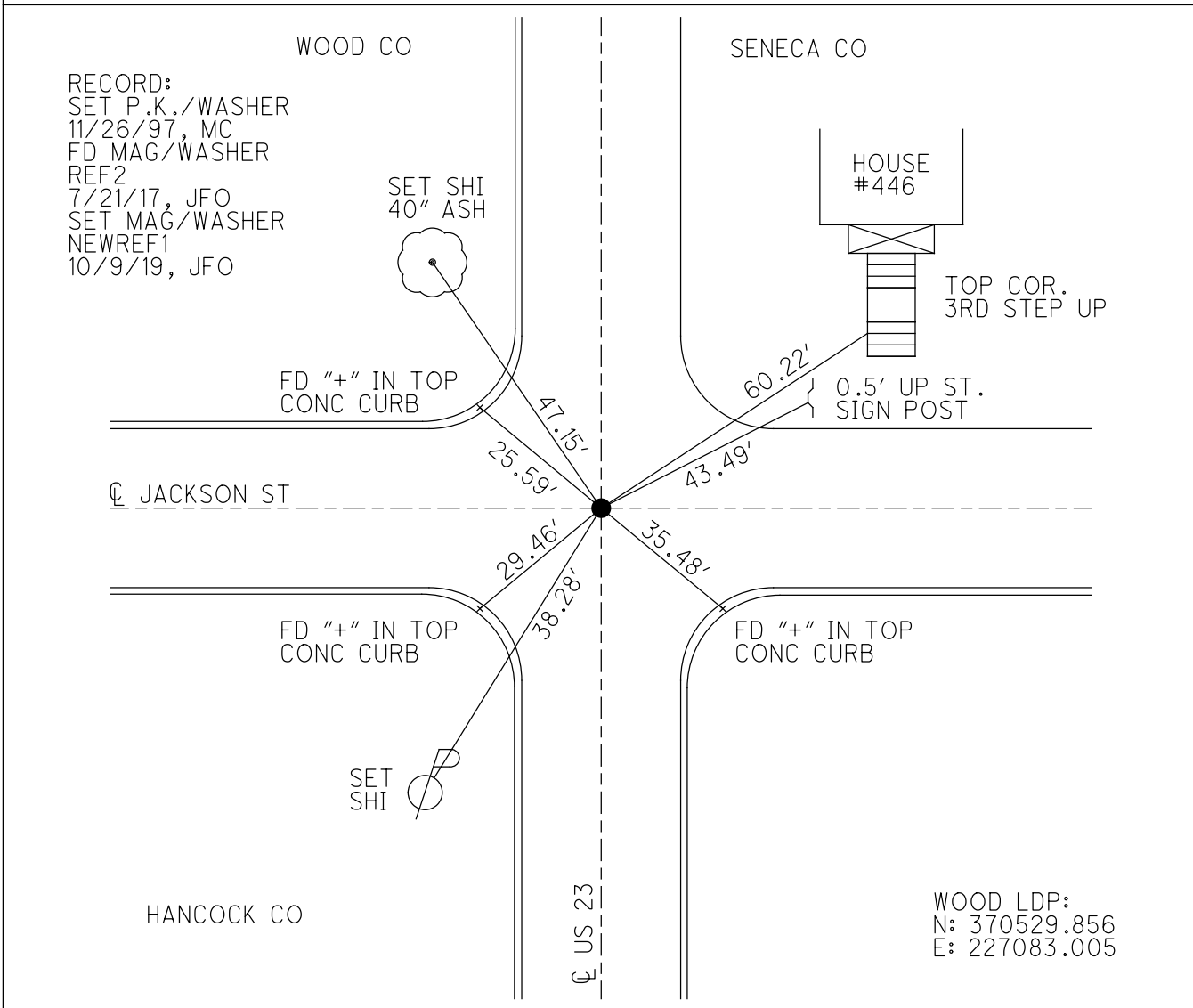
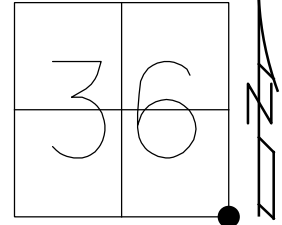
STATION: 0+00

HORIZ.DATUM: NAD83(2011)

GEOID: 18

GRID: NORTHING: 548870.269

EASTING: 1714945.051



RECORD:  
 SET P.K./WASHER  
 11/26/97, MC  
 FD MAG/WASHER  
 REF2  
 7/21/17, JFO  
 SET MAG/WASHER  
 NEWREF1  
 10/9/19, JFO

SET SHI  
 40" ASH

HOUSE  
 #446

TOP COR.  
 3RD STEP UP

0.5' UP ST.  
 SIGN POST

$\varnothing$  JACKSON ST

$\varnothing$  US 23

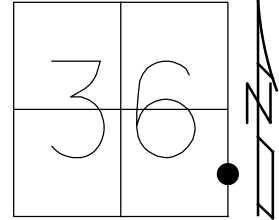
HANCOCK CO

WOOD LDP:  
 N: 370529.856  
 E: 227083.005

O.D.O.T. DISTRICT 2 SURVEY OFFICE (USE ONLY)

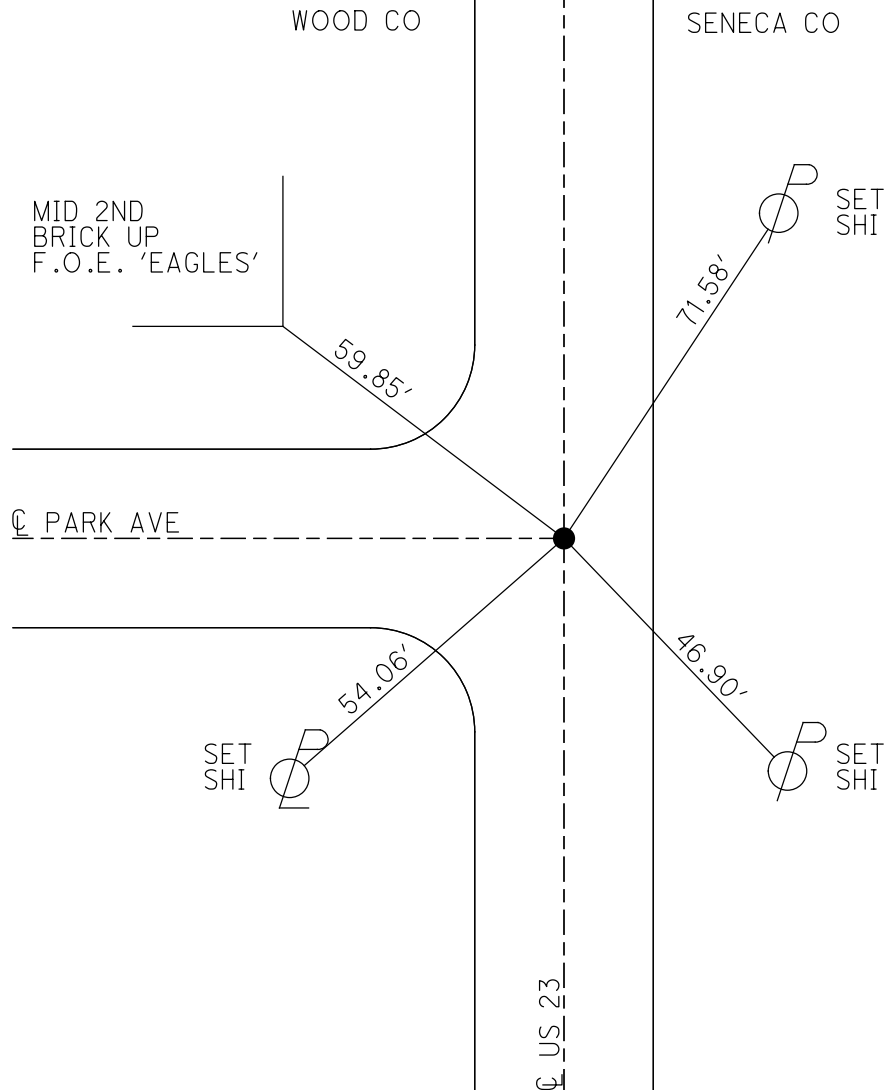
PERSONNEL \_\_\_\_\_ REFERENCE NO. 1 AA SHEET 2 OF 46  
 NOTES RHOADES DATE 7/15/19 ROUTE US 23  
 H.C. O'DONNELL WEATHER SUNNY COUNTY WOOD  
 R.C. RHOADES TEMP. 73° TOWNSHIP PERRY  
 SECTION 36  
 DWG BY NIESE PID 105306 T 3 N R 12 E

TYPE MONUMENT P.K./WASHER  
 ON SURFACE - ~~BELOW~~ ON  
 OFFSET ☐ PAVEMENT ON LT : RT  
22.1' TO RT EDGE PAVEMENT  
 STATION: 10+09



HORZ. DATUM: NAD83(2011) GEOID: 18  
 GRID: NORTHING: 548870.269 EASTING: 1714945.051

RECORD:  
 SET P.K./WASHER  
 11/26/97, MB  
 FD P.K./WASHER  
 REF3  
 7/21/17, JFO  
 SET MAG/WASHER  
 NEWREF2  
 10/9/17, JFO



WOOD LDP:  
 N: 371537.762  
 E: 227092.332

O.D.O.T. DISTRICT 2 SURVEY OFFICE (USE ONLY)

PERSONNEL

REFERENCE NO. 1 A

SHEET 3 OF 3

NOTES BARNHISEL

DATE 7/10/97

ROUTE US 23

H.C. CANTERBURY

WEATHER SUNNY

COUNTY WOOD

R.C. WEAVER  
ROUSOS

TEMP. 70°

TOWNSHIP PERRY

DWG BY NIESE PID 105306

SECTION 36

T 3 N R 12 E

TYPE MONUMENT BOLT SPIKE

~~ON SURFACE~~ - BELOW 2"

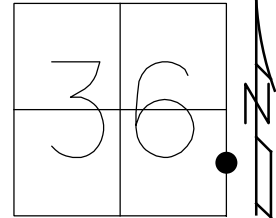
OFFSET CL PAVEMENT ON, 4' S OF CL LT : RT

21.8' TO LT EDGE PAVEMENT

STATION: 13+30.71

HORZ.DATUM: - GEOID: -

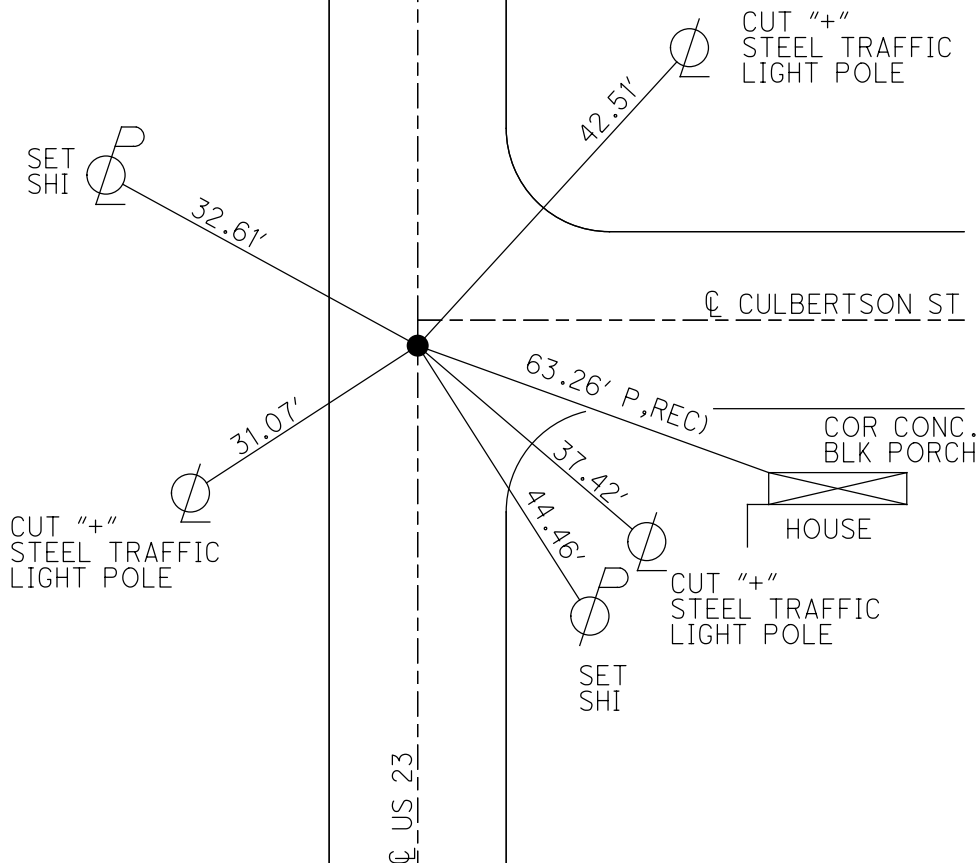
GRID: NORTHING: - EASTING: -



WOOD CO

SENECA CO

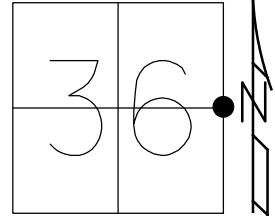
RECORD:  
FD NAIL  
7/21/78  
SET P.K./WASHER  
11/26/97, MB  
DNF  
7/21/17



O.D.O.T. DISTRICT 2 SURVEY OFFICE (USE ONLY)

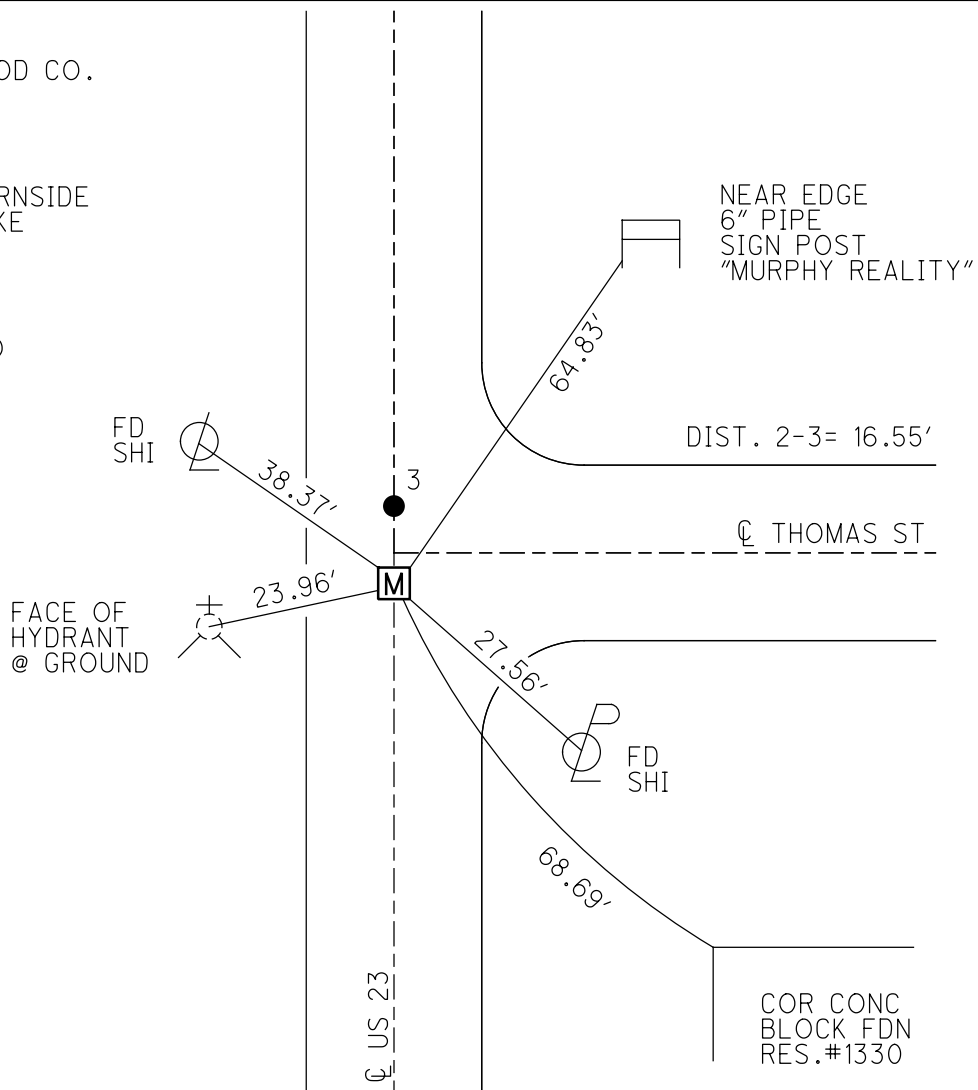
PERSONNEL \_\_\_\_\_ REFERENCE NO. 2 SHEET 4 OF 5  
 NOTES BURNSIDE DATE 7/21/78 ROUTE US 23  
 H.C. BOWERS WEATHER CLEAR COUNTY WOOD  
 R.C. KNAPE TEMP. 88° TOWNSHIP PERRY  
 \_\_\_\_\_ CURTIS \_\_\_\_\_ SECTION 36  
 DWG BY RHOADES PID 92134 T 3 N R 12 E

TYPE MONUMENT 1" IPIPE  
~~ON SURFACE~~ - BELOW 5"  
 OFFSET  $\odot$  PAVEMENT ON \_\_\_\_\_ LT : RT  
 \_\_\_\_\_ TO \_\_\_\_\_ EDGE PAVEMENT  
 STATION: 26+84.31



HORZ. DATUM: NAD83 2011 GEOID: 2012A  
 GRID: NORTHING: 550527.499 EASTING: 1714983.113

RECORD: WOOD CO.  
 E $\frac{1}{4}$  POST  
 SEC 36  
 FD 1" IPIPE  
 5" DOWN  
 7/21/78, BURNSIDE  
 SET R.R. SPIKE  
 7/21/78  
 FD MONBOX  
 W/ 1" IPIN  
 REF2  
 8/16/17, JFO



COR CONC  
 BLOCK FDN  
 RES. #1330

O.D.O.T. DISTRICT 2 SURVEY OFFICE (USE ONLY)

PERSONNEL

REFERENCE NO. 3

SHEET 5 OF 5

NOTES BURNSIDE

DATE 7/21/78

ROUTE US 23

H.C. BOWERS

WEATHER CLEAR

COUNTY WOOD

R.C. KNAPE

TEMP. 88°

TOWNSHIP PERRY

CURTIS

DWG BY RHOADES

PID 92134

SECTION 36

T 3 N R 12 E

TYPE MONUMENT R.R.SPIKE

ON SURFACE - ~~BELOW~~ ON

OFFSET Q PAVEMENT ON LT : RT

- TO - EDGE PAVEMENT

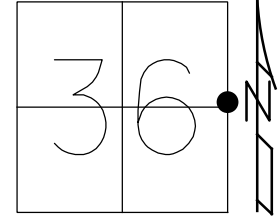
STATION: 27+00.87

HORIZ.DATUM: NAD83 2011

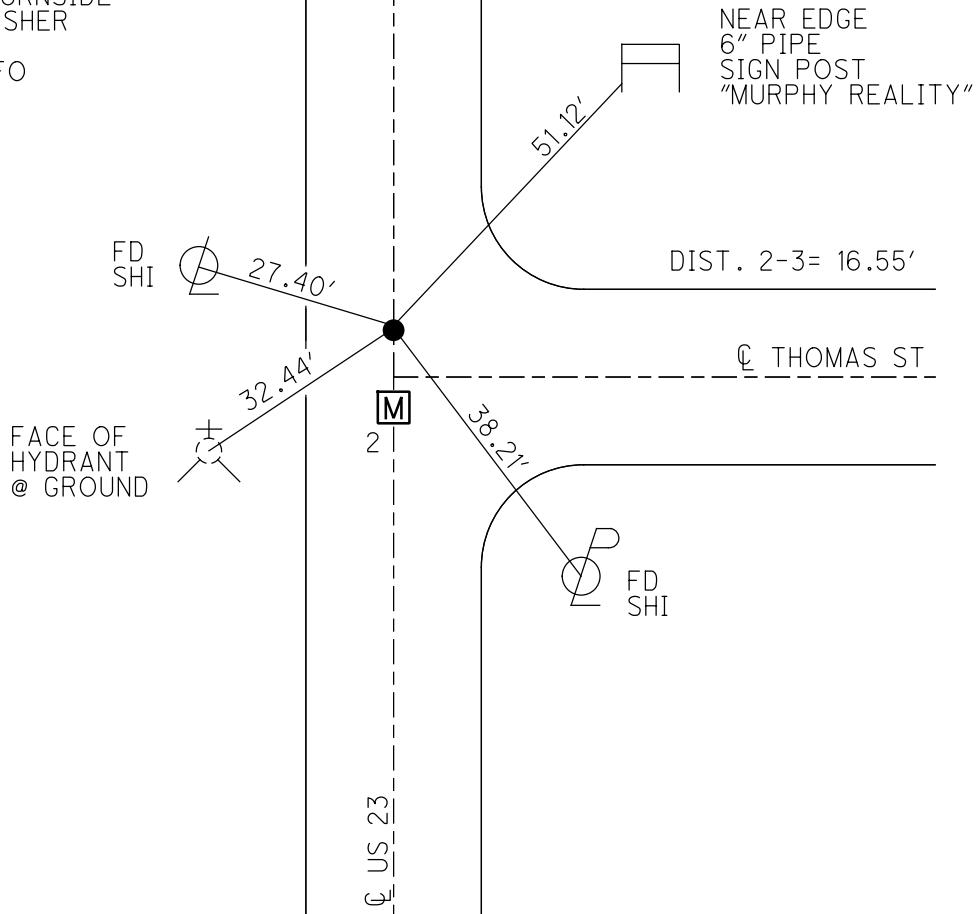
GEOID: 2012A

GRID: NORTHING: 550544.053

EASTING: 1714983.113



RECORD: SENECA CO.  
 W<sup>1</sup>/<sub>4</sub> POST  
 SEC 31  
 FD R.R.SPIKE  
 7/21/78, BURNSIDE  
 FD MAG/WASHER  
 REF3  
 8/16/17, JFO



O.D.O.T. DISTRICT 2 SURVEY OFFICE (USE ONLY)

PERSONNEL \_\_\_\_\_

REFERENCE NO. 4

SHEET 1 OF 22

NOTES BURNSIDE

DATE 6/21/78

ROUTE US 23

H.C. SMITH

WEATHER CLEAR

COUNTY WOOD

R.C. MEAD

TEMP. 78°

TOWNSHIP PERRY

SECTION 25

DWG BY BALBAUGH PID 92134

T 3 N R 12 E

TYPE MONUMENT SM.R.R.SPIKE

ON SURFACE - ~~BELOW~~ ON

OFFSET  $\odot$  PAVEMENT ON ~~RT~~ : ~~RT~~

- TO - EDGE PAVEMENT

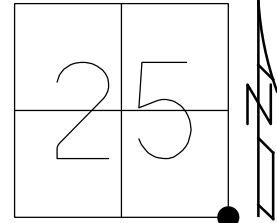
STATION: 53+16.88

HORZ.DATUM: NAD83 (2011)

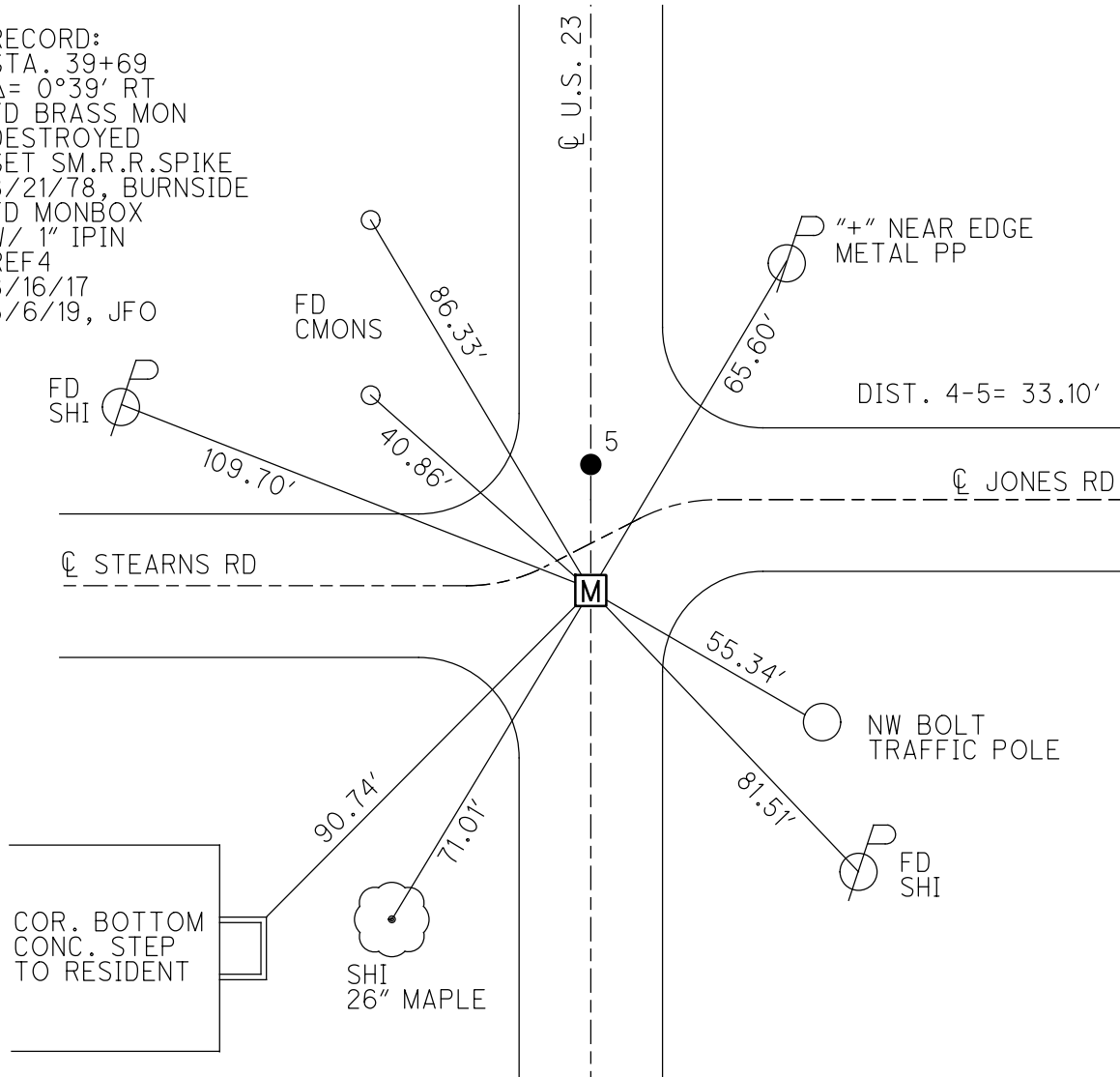
GEOID: 2012A

GRID: NORTHING: 553159.899

EASTING: 1715012.893



RECORD:  
 STA. 39+69  
 $\Delta = 0^\circ 39'$  RT  
 FD BRASS MON  
 DESTROYED  
 SET SM.R.R.SPIKE  
 8/21/78, BURNSIDE  
 FD MONBOX  
 W/ 1" IPIN  
 REF4  
 8/16/17  
 5/6/19, JFO

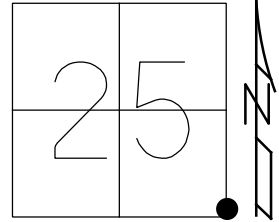


COR. BOTTOM  
 CONC. STEP  
 TO RESIDENT

O.D.O.T. DISTRICT 2 SURVEY OFFICE (USE ONLY)

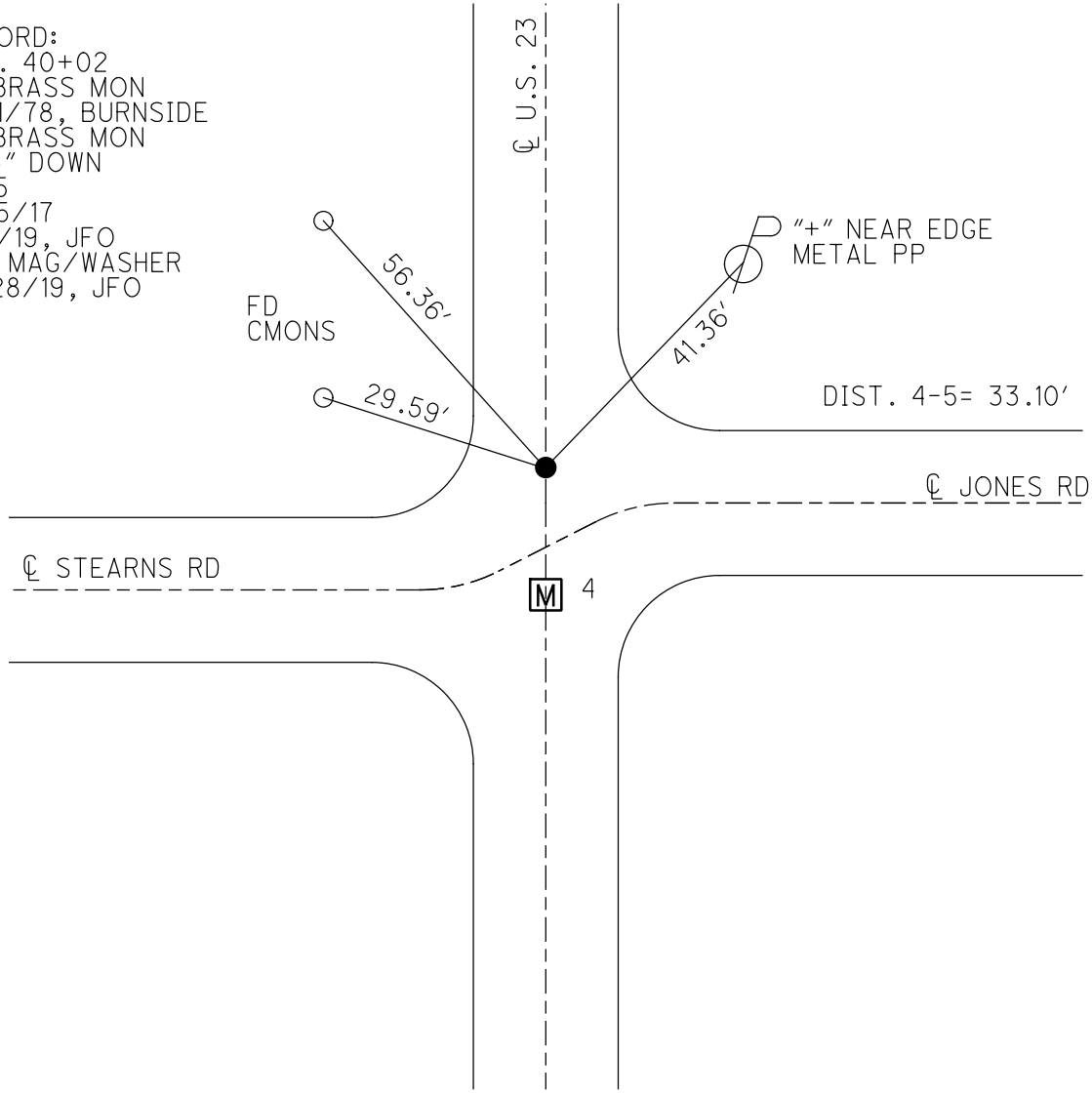
PERSONNEL \_\_\_\_\_ REFERENCE NO. 5 SHEET 2 OF 22  
 NOTES BURNSIDE DATE 6/21/78 ROUTE US 23  
 H.C. SMITH WEATHER CLEAR COUNTY WOOD  
 R.C. MEAD TEMP. 78° TOWNSHIP PERRY  
 DWG BY BALBAUGH PID 92134 SECTION 25  
 T 3 N R 12 E

TYPE MONUMENT BRASS MON  
 ON SURFACE - ~~BELOW~~ ON  
 OFFSET CL PAVEMENT ON ~~LT~~ : ~~RT~~  
- TO - EDGE PAVEMENT  
 STATION: 53+49.96



HORZ.DATUM: NAD83 (2011) GEOID: 2012A  
 GRID: NORTHING: 553192.938 EASTING: 1715013.402

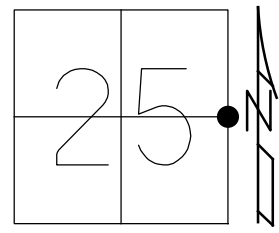
RECORD:  
 STA. 40+02  
 FD BRASS MON  
 6/21/78, BURNSIDE  
 FD BRASS MON  
 2 1/2" DOWN  
 REF 5  
 8/25/17  
 5/6/19, JFO  
 SET MAG/WASHER  
 10/28/19, JFO



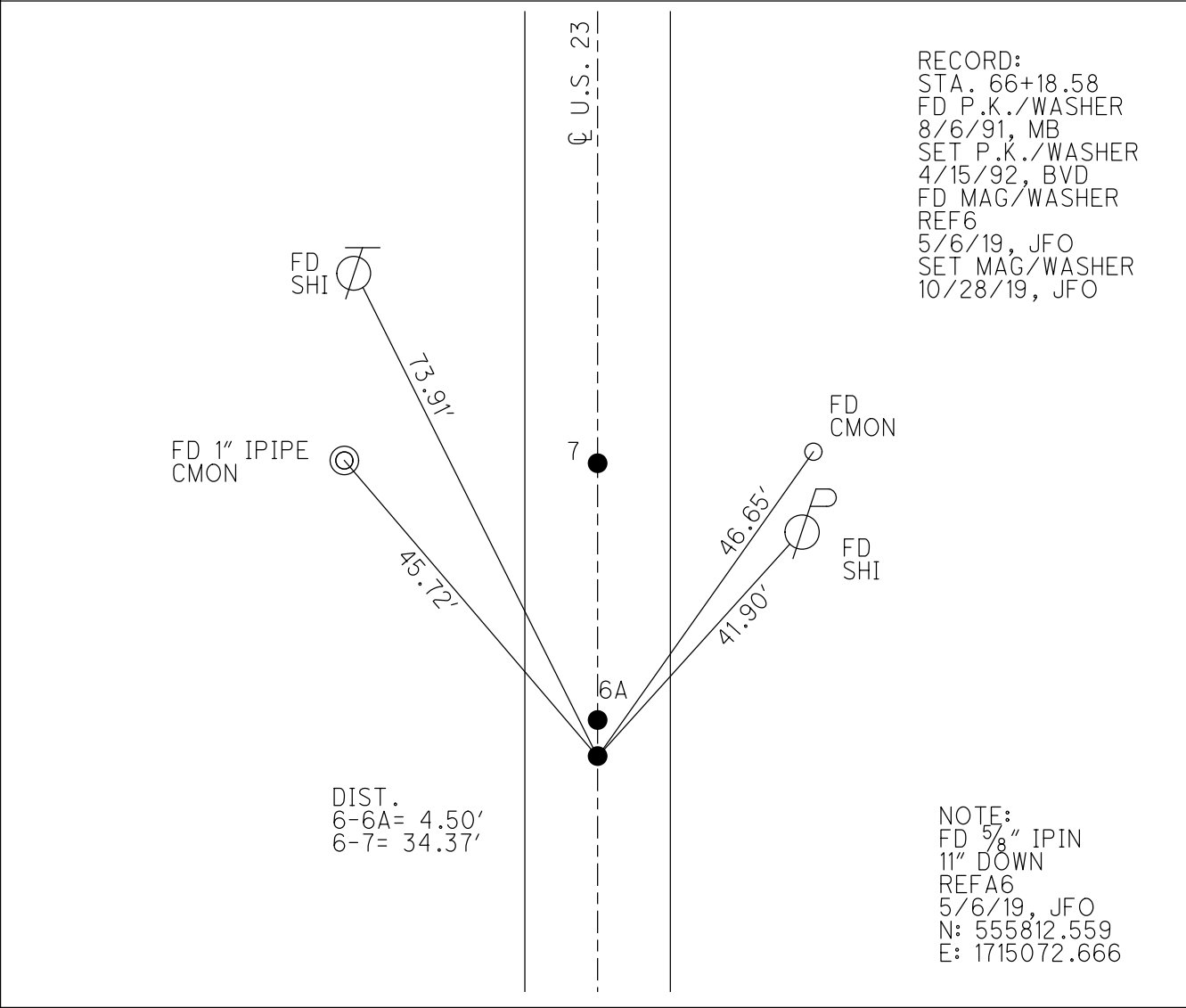
O.D.O.T. DISTRICT 2 SURVEY OFFICE (USE ONLY)

PERSONNEL \_\_\_\_\_ REFERENCE NO. 6 SHEET 3 OF 22  
 NOTES MILLER DATE 5/6/19 ROUTE US 23  
 H.C. O'DONNELL WEATHER SUNNY COUNTY WOOD  
 R.C. MILLER TEMP. 71° TOWNSHIP PERRY  
 DWG BY BALBAUGH PID 92134 SECTION 25  
 T 3 N R 12 E

TYPE MONUMENT MAG/WASHER  
 ON SURFACE - ~~BELOW~~ ON  
 OFFSET  $\odot$  PAVEMENT ON ~~LT~~ : ~~RT~~  
12.2' TO RT EDGE PAVEMENT  
 STATION: 79+65.69



HORZ.DATUM: NAD83 (2011) GEOID: 2012A  
 GRID: NORTHING: 555808.172 EASTING: 1715072.424



RECORD:  
 STA. 66+18.58  
 FD P.K./WASHER  
 8/6/91, MB  
 SET P.K./WASHER  
 4/15/92, BVD  
 FD MAG/WASHER  
 REF6  
 5/6/19, JFO  
 SET MAG/WASHER  
 10/28/19, JFO

NOTE:  
 FD 5/8" IPIN  
 11" DOWN  
 REFA6  
 5/6/19, JFO  
 N: 555812.559  
 E: 1715072.666



O.D.O.T. DISTRICT 2 SURVEY OFFICE (USE ONLY)

PERSONNEL

REFERENCE NO. 7

SHEET 4 OF 22

NOTES MILLER DATE 5/6/19  
 H.C. O'DONNELL WEATHER SUNNY  
 R.C. MILLER TEMP. 71°

ROUTE US 23  
 COUNTY WOOD  
 TOWNSHIP PERRY  
 SECTION 25

DWG BY BALBAUGH PID 92134

T 3 N R 12 E

TYPE MONUMENT MAG/WASHER

ON SURFACE - ~~BELOW~~ ON

OFFSET Q PAVEMENT ON ~~RT~~ : ~~RT~~

12.3' TO RT EDGE PAVEMENT

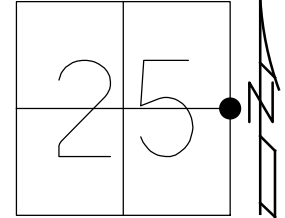
STATION: 80+00.06

HORIZ.DATUM: NAD83 (2011)

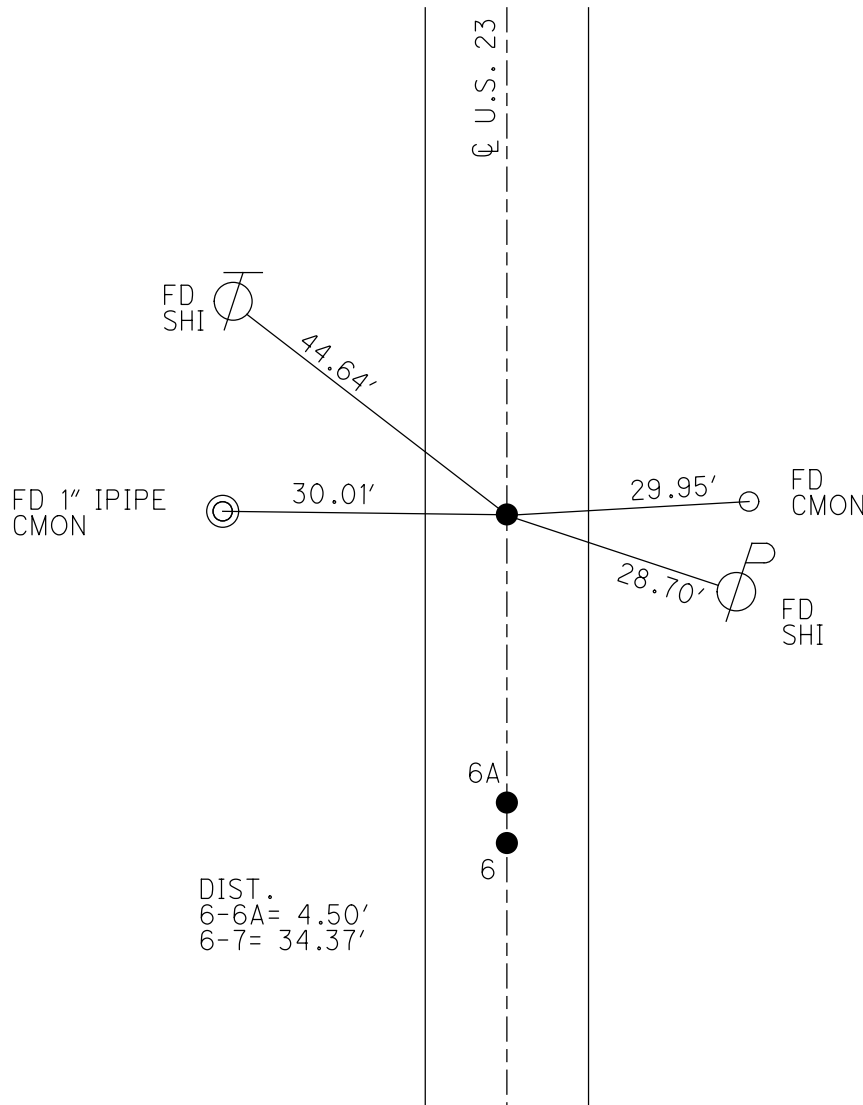
GEOID: 2012A

GRID: NORTHING: 555842.404

EASTING: 1715073.077



RECORD:  
 STA. 66+53.30  
 FD P.K./WASHER  
 8/6/91, MB  
 SET P.K./WASHER  
 4/15/92, BVD  
 FD MAG NAIL  
 REF7  
 8/23/17, JFO  
 SET MAG/WASHER  
 10/28/19, JFO

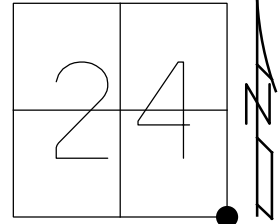


NOTE:  
 FD 5/8" IPIN  
 11" DOWN  
 REFA6  
 5/6/19, JFO  
 N: 555812.559  
 E: 1715072.666

O.D.O.T. DISTRICT 2 SURVEY OFFICE (USE ONLY)

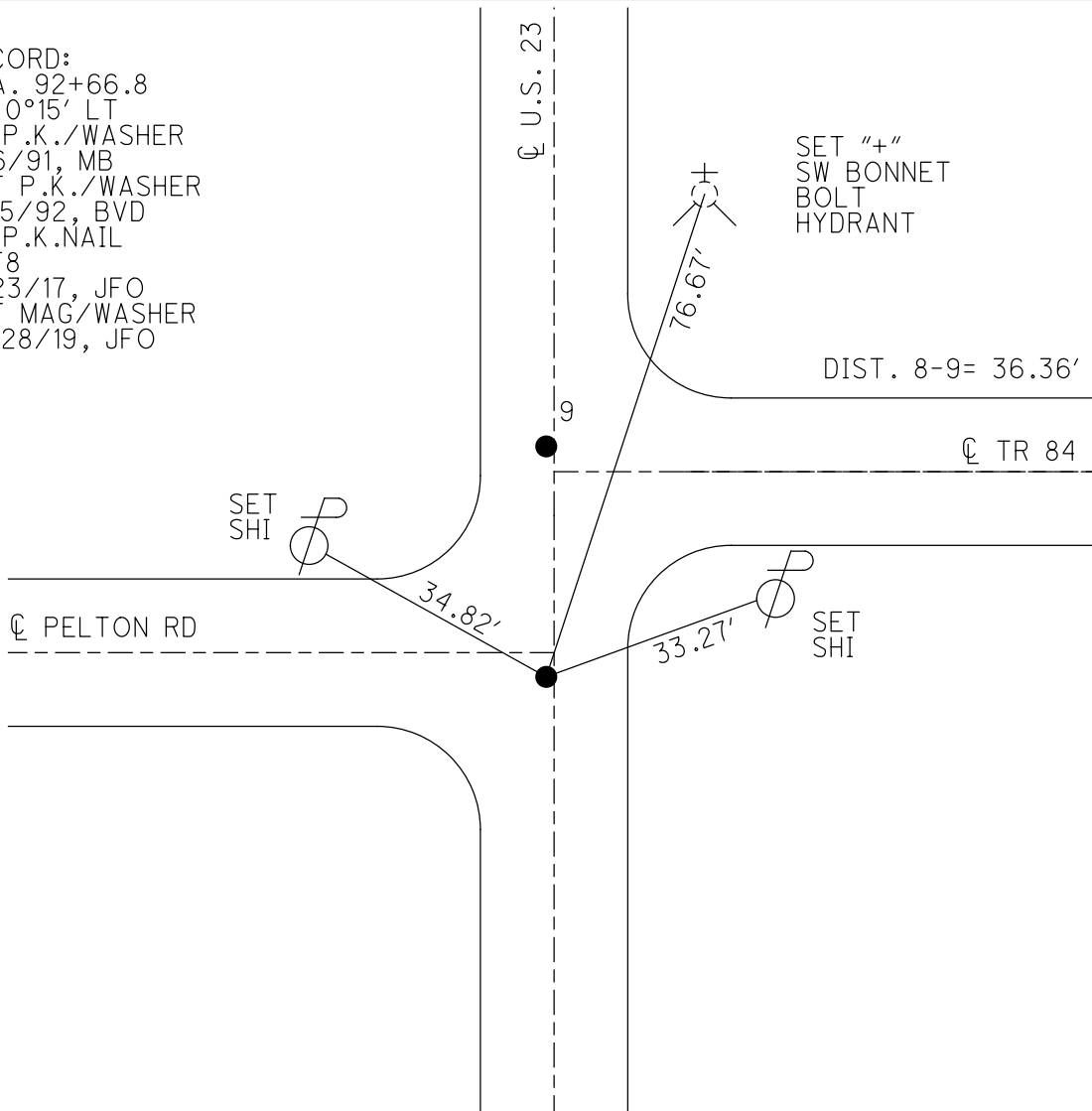
PERSONNEL \_\_\_\_\_ REFERENCE NO. 8 SHEET 5 OF 22  
 NOTES MILLER DATE 5/6/19 ROUTE US 23  
 H.C. O'DONNELL WEATHER SUNNY COUNTY WOOD  
 R.C. MILLER TEMP. 71° TOWNSHIP PERRY  
 SECTION 24  
 DWG BY BALBAUGH PID 92134 T 3 N R 12 E

TYPE MONUMENT P.K.NAIL  
 ON SURFACE - ~~BELOW~~ ON  
 OFFSET  $\text{C}$  PAVEMENT 1.5' LT : ~~RT~~  
14.2' TO RT EDGE PAVEMENT  
 STATION: 106+14.11



HORZ. DATUM: NAD83 (2011) GEOID: 2012A  
 GRID: NORTHING: 558455.786 EASTING: 1715131.863

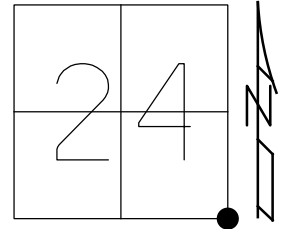
RECORD:  
 STA. 92+66.8  
 $\Delta = 0^\circ 15' \text{ LT}$   
 FD P.K./WASHER  
 8/6/91, MB  
 SET P.K./WASHER  
 4/15/92, BVD  
 FD P.K.NAIL  
 REF8  
 8/23/17, JFO  
 SET MAG/WASHER  
 10/28/19, JFO



O.D.O.T. DISTRICT 2 SURVEY OFFICE (USE ONLY)

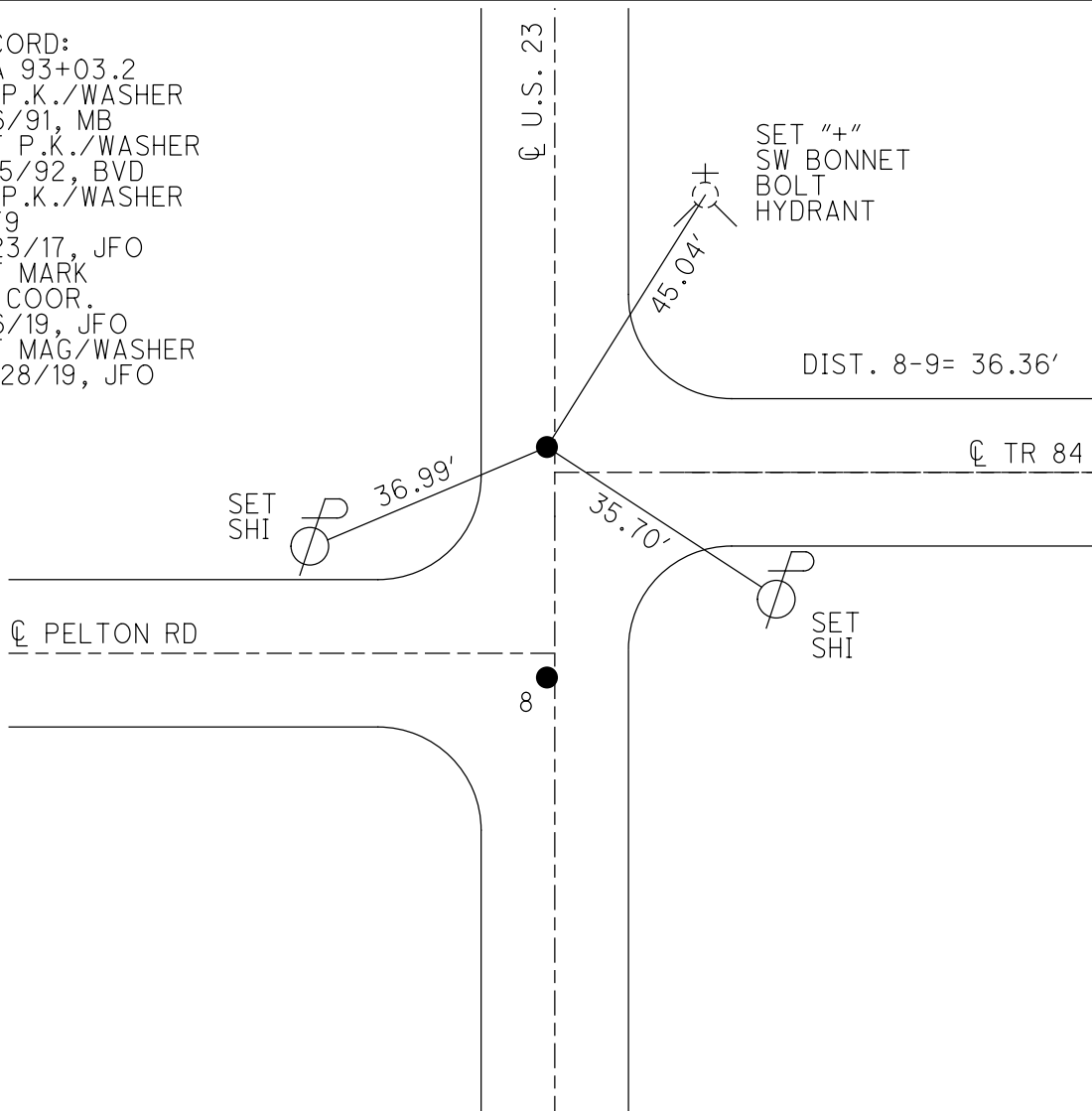
PERSONNEL \_\_\_\_\_ REFERENCE NO. 9 SHEET 6 OF 22  
 NOTES MILLER DATE 5/6/19 ROUTE US 23  
 H.C. O'DONNELL WEATHER SUNNY COUNTY WOOD  
 R.C. MILLER TEMP. 71° TOWNSHIP PERRY  
 DWG BY BALBAUGH PID 92134 SECTION 24  
 T 3 N R 12 E

TYPE MONUMENT SET + W/ COORD.  
 ON SURFACE - ~~BELOW~~ ON  
 OFFSET CL PAVEMENT 1.5' LT : ~~RT~~  
10.5' TO LT EDGE PAVEMENT  
 STATION: 106+50.43



HORZ.DATUM: NAD83 (2011) GEOID: 2012A  
 GRID: NORTHING: 558492.095 EASTING: 1715132.537

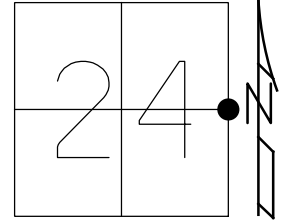
RECORD:  
 STA 93+03.2  
 FD P.K./WASHER  
 8/6/91, MB  
 SET P.K./WASHER  
 4/15/92, BVD  
 FD P.K./WASHER  
 REF9  
 8/23/17, JFO  
 SET MARK  
 W/ COOR.  
 5/6/19, JFO  
 SET MAG/WASHER  
 10/28/19, JFO



O.D.O.T. DISTRICT 2 SURVEY OFFICE (USE ONLY)

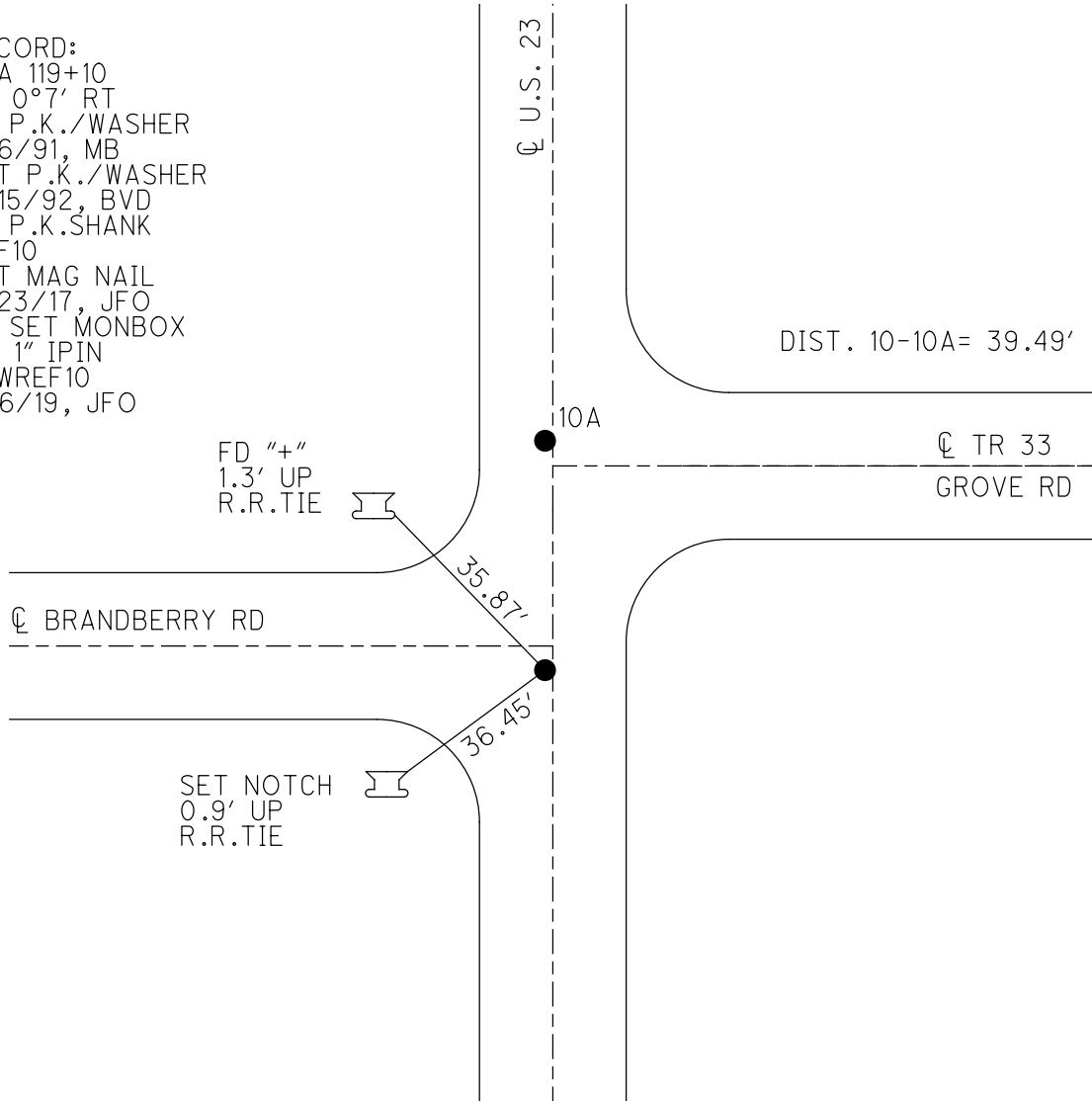
PERSONNEL \_\_\_\_\_ REFERENCE NO. 10 SHEET 7 OF 22  
 NOTES MILLER DATE 5/6/19 ROUTE US 23  
 H.C. O'DONNELL WEATHER SUNNY COUNTY WOOD  
 R.C. MILLER TEMP. 71° TOWNSHIP PERRY  
 DWG BY BALBAUGH PID 92134 SECTION 24  
 T 3 N R 12 E

TYPE MONUMENT MAG NAIL  
 ON SURFACE - ~~BELOW~~ ON  
 OFFSET ☉ PAVEMENT ON RT : RT  
12.4' TO RT EDGE PAVEMENT  
 STATION: 132+56.94



HORZ.DATUM: NAD83 (2011) GEOID: 2012A  
 GRID: NORTHING: 561098.234 EASTING: 1715179.021

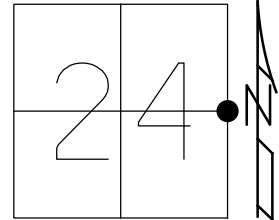
RECORD:  
 STA 119+10  
 $\Delta = 0^{\circ}7'$  RT  
 FD P.K./WASHER  
 8/6/91, MB  
 SET P.K./WASHER  
 4/15/92, BVD  
 FD P.K.SHANK  
 REF10  
 SET MAG NAIL  
 8/23/17, JFO  
 FD SET MONBOX  
 W/ 1" IPIN  
 NEWREF10  
 11/6/19, JFO



O.D.O.T. DISTRICT 2 SURVEY OFFICE (USE ONLY)

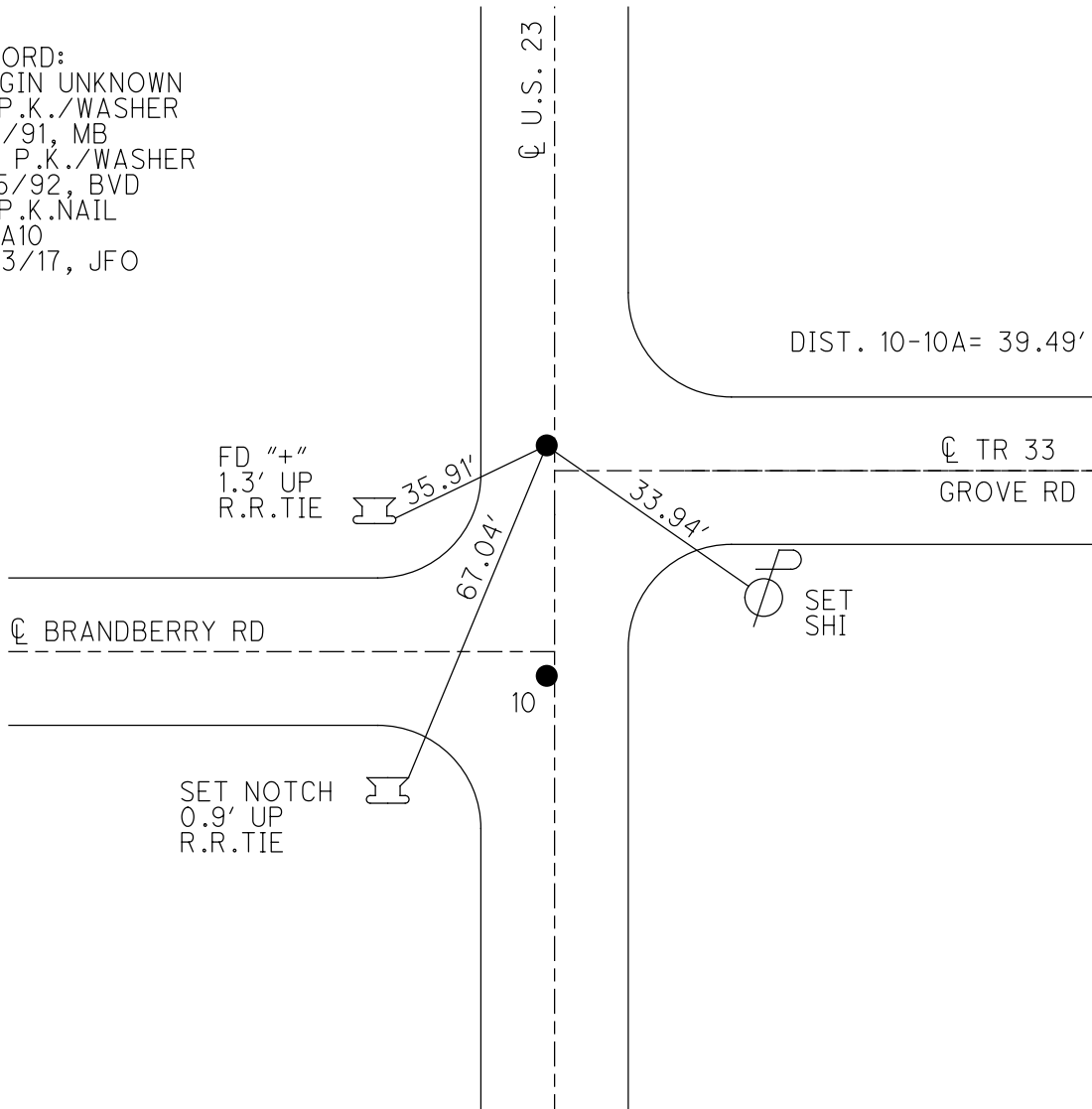
PERSONNEL \_\_\_\_\_ REFERENCE NO. 10 A SHEET 8 OF 22  
 NOTES MILLER DATE 5/6/19 ROUTE US 23  
 H.C. O'DONNELL WEATHER SUNNY COUNTY WOOD  
 R.C. MILLER TEMP. 71° TOWNSHIP PERRY  
 DWG BY BALBAUGH PID 92134 SECTION 24  
 T 3 N R 12 E

TYPE MONUMENT P.K.NAIL  
 ON SURFACE - ~~BELOW~~ ON  
 OFFSET ☉ PAVEMENT ON ~~RT~~ : ~~RT~~  
11.2' TO LT EDGE PAVEMENT  
 STATION: 132+96.41



HORZ.DATUM: NAD83 (2011) GEOID: 2012A  
 GRID: NORTHING: 561137.674 EASTING: 1715179.433

RECORD:  
 ORIGIN UNKNOWN  
 FD P.K./WASHER  
 8/6/91, MB  
 SET P.K./WASHER  
 4/15/92, BVD  
 FD P.K.NAIL  
 REFA10  
 8/23/17, JFO



O.D.O.T. DISTRICT 2 SURVEY OFFICE (USE ONLY)

PERSONNEL

REFERENCE NO. 11

SHEET 9 OF 22

NOTES O'DONNELL

DATE 8/14/18

ROUTE US 23

H.C. HOMAN

WEATHER SUNNY

COUNTY WOOD

R.C. HAGEMEYER

TEMP. 80°

TOWNSHIP PERRY

TRENKA

SECTION 13

DWG BY BALBAUGH PID 92134

T 3 N R 12 E

TYPE MONUMENT 1 1/2" MOBORA

~~ON SURFACE~~ - BELOW 6"

OFFSET Q PAVEMENT ON ~~RT~~ : ~~RT~~

11.9' TO RT EDGE PAVEMENT

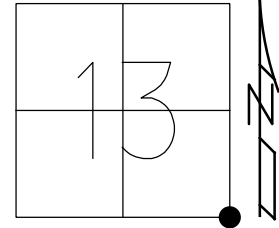
STATION: 159+59.10

HORZ. DATUM: NAD83 (2011)

GEOID: 2012A

GRID: NORTHING: 563799.818

EASTING: 1715232.552

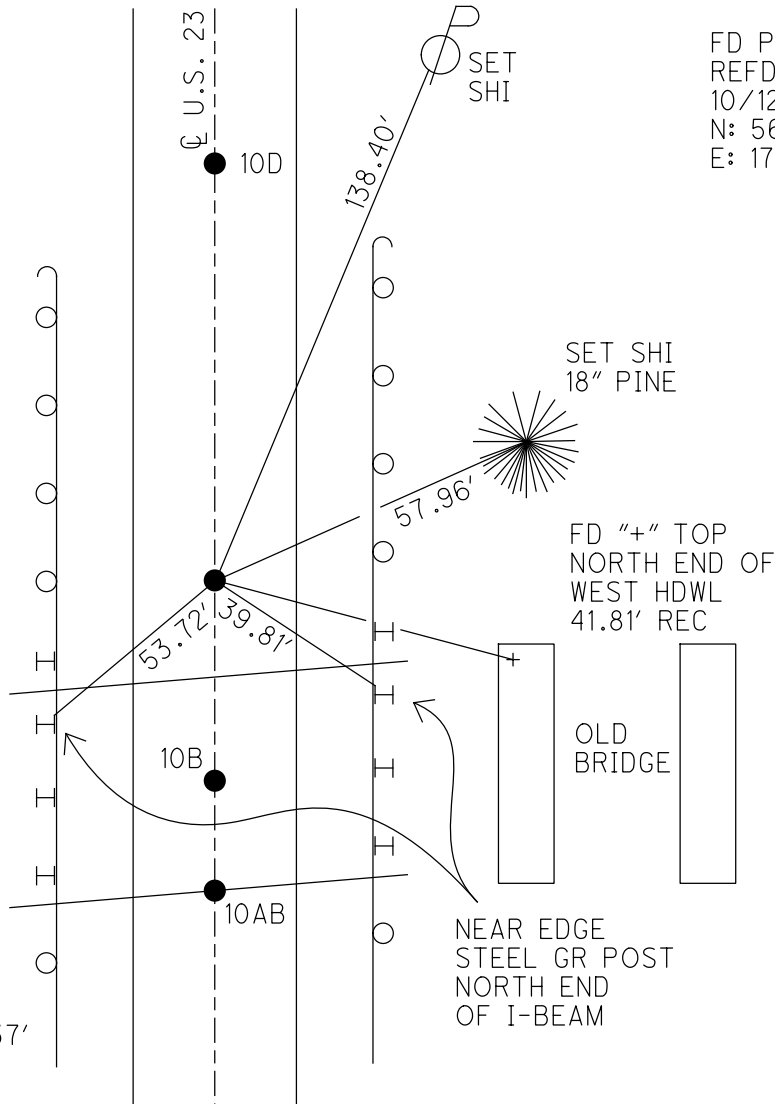


RECORD:  
 STA 146+12.65  
 $\Delta = 0^{\circ}04'$  RT  
 FD BRASS MON  
 9/1/70  
 FD P.K. SHANK  
 8/6/91, MB  
 SET P.K./WASHER  
 4/15/92, BVD  
 FD P.K. SHANK  
 2 1/2" DOWN  
 REFC10 (REF11)  
 10/12/17, JFO  
 FD MONBOX  
 W/ 1" IPIN  
 NEWREFC100  
 11/6/19, JFO

FD MAG NAIL  
 REFB10  
 8/23/17, JFO  
 N: 563756.593  
 E: 1715231.746

PER PLAN  
 PID 92134  
 STA. 159+53.75  
 FD MONBOX  
 W/ 1" IPIN  
 NEWREFAB10  
 11/6/19  
 N: 563744.542  
 E: 1715231.484

DIST. 10AB-11= 55.37'



FD P.K. NAIL  
 REFD10  
 10/12/17, JFO  
 N: 564055.455  
 E: 1715237.915

O.D.O.T. DISTRICT 2 SURVEY OFFICE (USE ONLY)

PERSONNEL

REFERENCE NO. 12

SHEET 10 OF 22

NOTES O'DONNELL

DATE 8/14/18

ROUTE US 23

H.C. O'DONNELL

WEATHER SUNNY

COUNTY WOOD

R.C. HAGEMEYER

TEMP. 80°

TOWNSHIP PERRY

HOMAN, SEASLY

SECTION 13

DWG BY BALBAUGH PID 92134

T 3 N R 12 E

TYPE MONUMENT 1 1/2" BRASS MON

~~ON SURFACE~~ - BELOW 6"

OFFSET  $\text{C}$  PAVEMENT ON ~~LT~~ : ~~RT~~

11.2' TO RT EDGE PAVEMENT

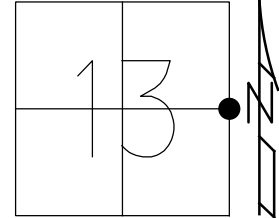
STATION: 185+48.11

HORZ. DATUM: NAD83 (2011)

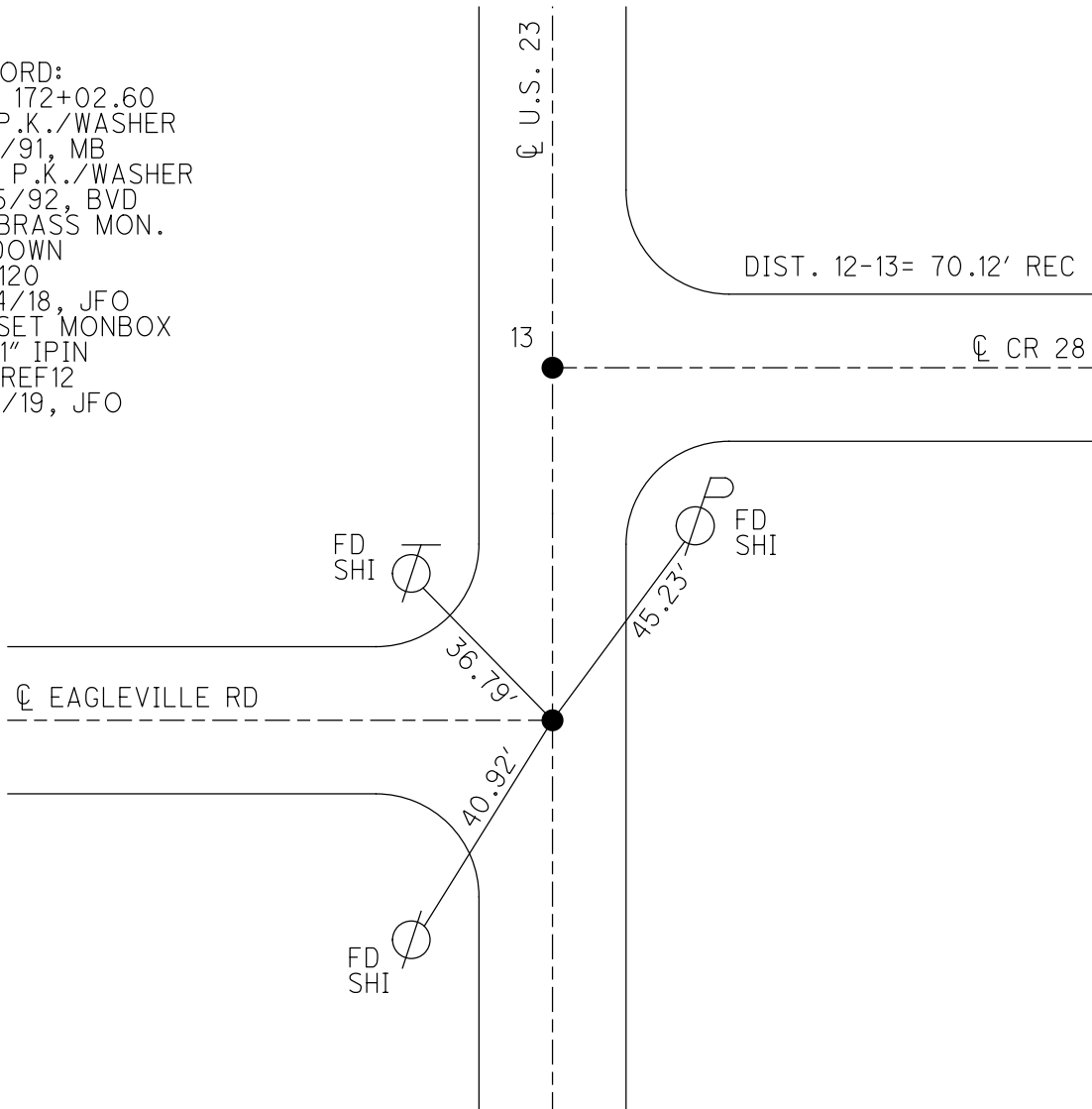
GEOID: 2012A

GRID: NORTHING: 566388.226

EASTING: 1715287.142



RECORD:  
 STA 172+02.60  
 FD P.K./WASHER  
 8/5/91, MB  
 SET P.K./WASHER  
 4/15/92, BVD  
 FD BRASS MON.  
 6" DOWN  
 REF120  
 8/14/18, JFO  
 FD SET MONBOX  
 W/ 1" IPIN  
 NEWREF12  
 11/6/19, JFO



O.D.O.T. DISTRICT 2 SURVEY OFFICE (USE ONLY)

PERSONNEL

REFERENCE NO. 13

SHEET 11 OF 22

NOTES O'DONNELL

DATE 8/14/18

ROUTE US 23

H.C. O'DONNELL

WEATHER SUNNY

COUNTY WOOD

R.C. HAGEMEYER

TEMP. 80°

TOWNSHIP PERRY

HOMAN, SEASLY

SECTION 13

DWG BY BALBAUGH PID 92134

T 3 N R 12 E

TYPE MONUMENT BRASS MON.

~~ON SURFACE~~ - BELOW 6"

OFFSET  $\odot$  PAVEMENT ON ~~LT~~ : ~~RT~~

12.1' TO LT EDGE PAVEMENT

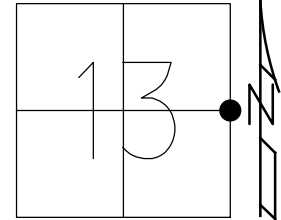
STATION: 186+189.19

HORZ. DATUM: NAD83 (2011)

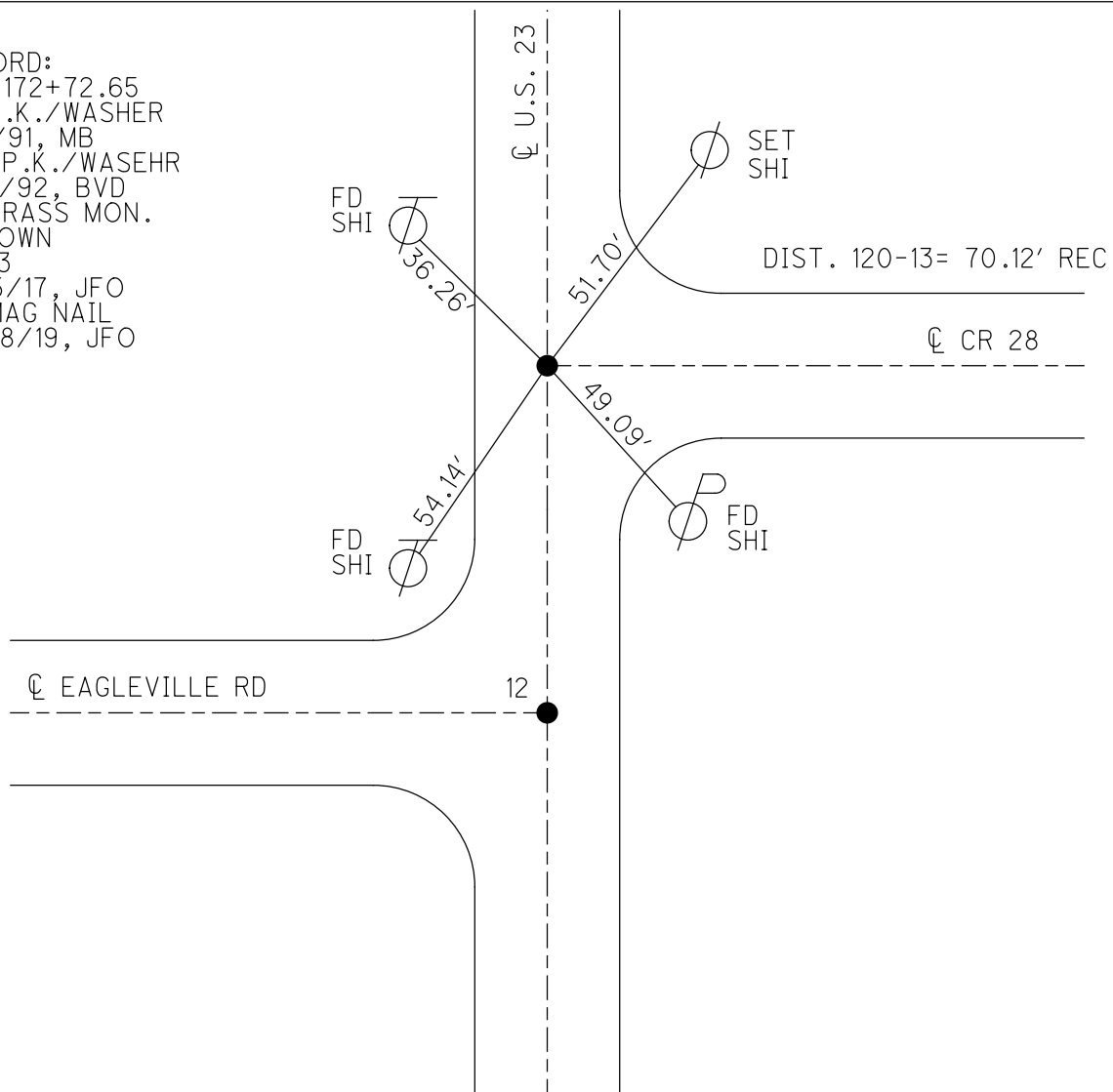
GEOID: 2012A

GRID: NORTHING: 566458.327

EASTING: 1715288.548



RECORD:  
 STA 172+72.65  
 FD P.K./WASHER  
 8/5/91, MB  
 SET P.K./WASEHR  
 4/15/92, BVD  
 FD BRASS MON.  
 6" DOWN  
 REF13  
 8/25/17, JFO  
 FD MAG NAIL  
 10/28/19, JFO





O.D.O.T. DISTRICT 2 SURVEY OFFICE (USE ONLY)

PERSONNEL \_\_\_\_\_ REFERENCE NO. 14 SHEET 12 OF 22  
 NOTES MILLER DATE 5/6/19 ROUTE US 23  
 H.C. O'DONNELL WEATHER SUNNY COUNTY WOOD  
 R.C. MILLER TEMP. 71° TOWNSHIP PERRY  
 DWG BY BALBAUGH PID 92134 SECTION 12  
 T 3 N R 12 E

TYPE MONUMENT MAG NIAL

~~ON SURFACE~~ - BELOW 3"

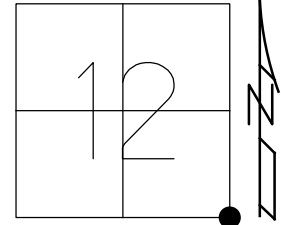
OFFSET  $\odot$  PAVEMENT ON ~~LT~~ : ~~RT~~

12.0' TO LT EDGE PAVEMENT

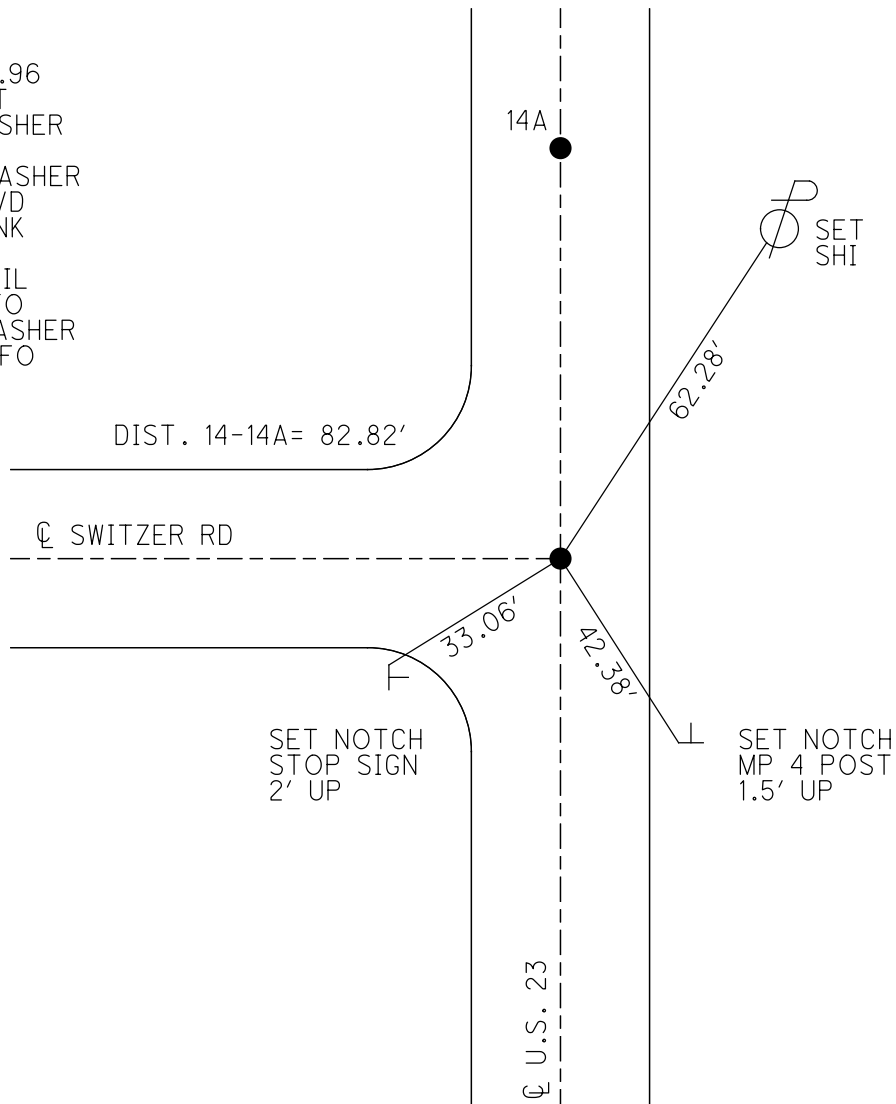
STATION: 211+94.17

HORZ. DATUM: NAD83 (2011) GEOID: 2012A

GRID: NORTHING: 569033.755 EASTING: 1715342.092



RECORD:  
 STA 198+48.96  
 $\Delta = 0^{\circ}06'$  RT  
 FD P.K./WASHER  
 8/6/91, MB  
 SET P.K./WASHER  
 4/16/92, BVD  
 FD P.K.SHANK  
 REF14  
 SET MAG NAIL  
 8/24/17, JFO  
 SET MAG/WASHER  
 10/28/19, JFO



O.D.O.T. DISTRICT 2 SURVEY OFFICE (USE ONLY)

PERSONNEL

REFERENCE NO. 14 A

SHEET 13 OF 22

NOTES MILLER DATE 5/6/19  
H.C. O'DONNELL WEATHER SUNNY  
R.C. MILLER TEMP. 71°

ROUTE US 23  
COUNTY WOOD  
TOWNSHIP PERRY  
SECTION 12

DWG BY BALBAUGH PID 92134

T 3 N R 12 E

TYPE MONUMENT P.K.NAIL

ON SURFACE - ~~BELOW~~ ON

OFFSET  $\odot$  PAVEMENT ON ~~LT~~ : ~~RT~~

12.0' TO LT EDGE PAVEMENT

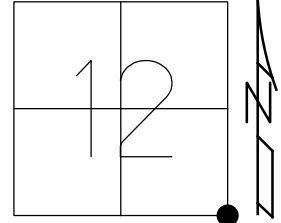
STATION: 212+77.00

HORZ.DATUM: NAD83 (2011)

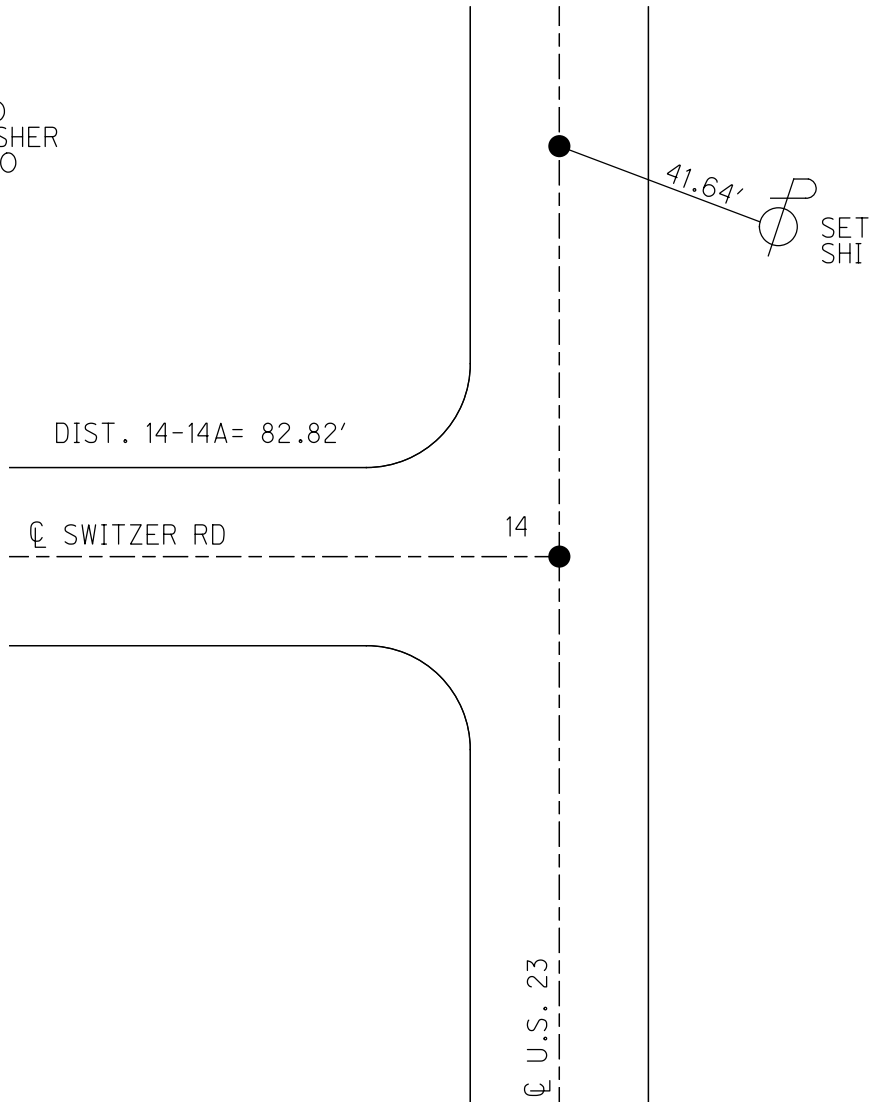
GEOID: 2012A

GRID: NORTHING: 569116.567

EASTING: 1715343.972



RECORD:  
FD P.K.NAIL  
REFA14  
8/24/17, JFO  
SET MAG/WASHER  
10/28/19, JFO



O.D.O.T. DISTRICT 2 SURVEY OFFICE (USE ONLY)

PERSONNEL \_\_\_\_\_ REFERENCE NO. 15 SHEET 14 OF 22  
 NOTES RHOADES DATE 5/7/19 ROUTE US 23  
 H.C. O'DONNELL WEATHER CLOUDY COUNTY WOOD  
 R.C. MILLER TEMP. 50° TOWNSHIP PERRY  
 \_\_\_\_\_ SECTION 12  
 DWG BY BALBAUGH PID 92134 T 3 N R 12 E

TYPE MONUMENT BRASS MON

~~ON SURFACE~~ - BELOW 5"

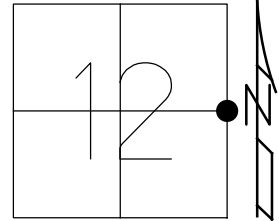
OFFSET  $\odot$  PAVEMENT ON ~~LT~~ : ~~RT~~

11.8' TO RT EDGE PAVEMENT

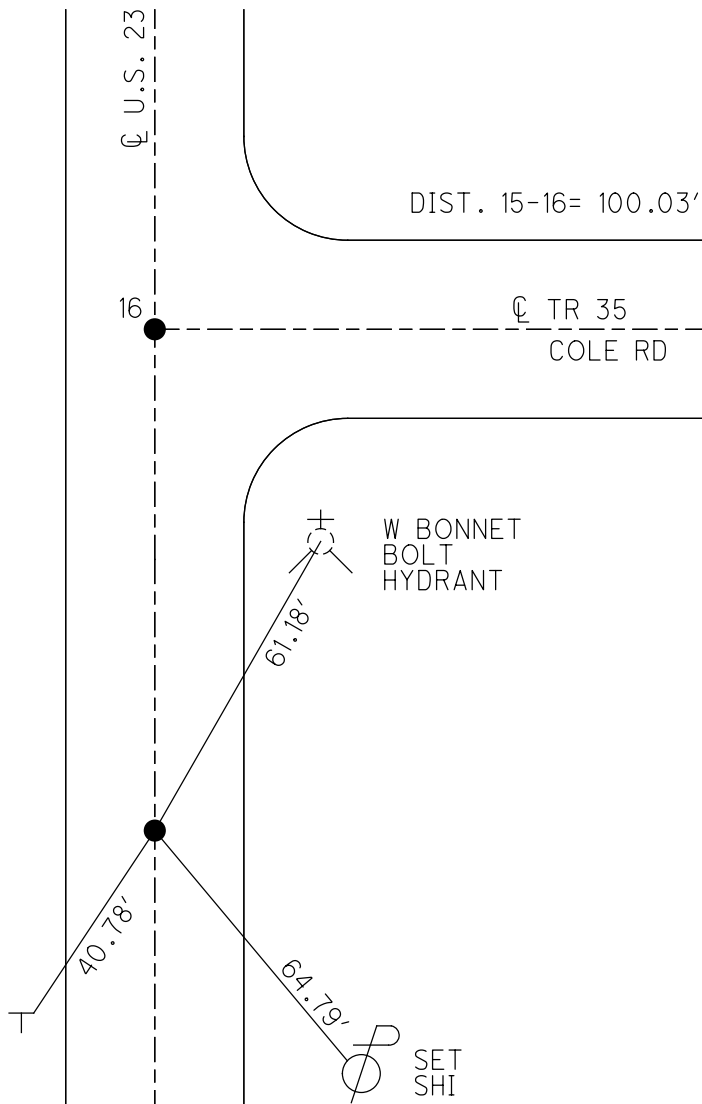
STATION: 238+44.50

HORIZ.DATUM: NAD83 (2011) GEOID: 2012A

GRID: NORTHING: 571683.407 EASTING: 1715401.975



RECORD:  
 STA 225+00  
 $\Delta = 0^{\circ}07'$  LT  
 FD P.K./WASHER  
 8/6/91, MB  
 SET P.K./WASHER  
 4/16/92, BVD  
 FD BRASS MON  
 5" DOWN  
 REF15  
 8/24/17, JFO  
 SET MAG/WASHER  
 10/28/19, JFO



O.D.O.T. DISTRICT 2 SURVEY OFFICE (USE ONLY)

PERSONNEL	REFERENCE NO. <u>16</u>	SHEET <u>15</u> OF <u>22</u>
NOTES <u>RHOADES</u>	DATE <u>5/7/19</u>	ROUTE <u>US 23</u>
H.C. <u>O'DONNELL</u>	WEATHER <u>CLOUDY</u>	COUNTY <u>WOOD</u>
R.C. <u>MILLER</u>	TEMP. <u>50°</u>	TOWNSHIP <u>PERRY</u>
		SECTION <u>12</u>
DWG BY <u>BALBAUGH</u>	PID <u>92134</u>	T <u>3</u> N R <u>12</u> E

TYPE MONUMENT P.K./WASHER

~~ON SURFACE~~ - BELOW 2 1/2"

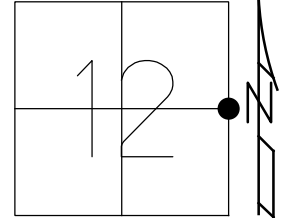
OFFSET  $\odot$  PAVEMENT ON ~~LT~~ : ~~RT~~

12.1' TO LT EDGE PAVEMENT

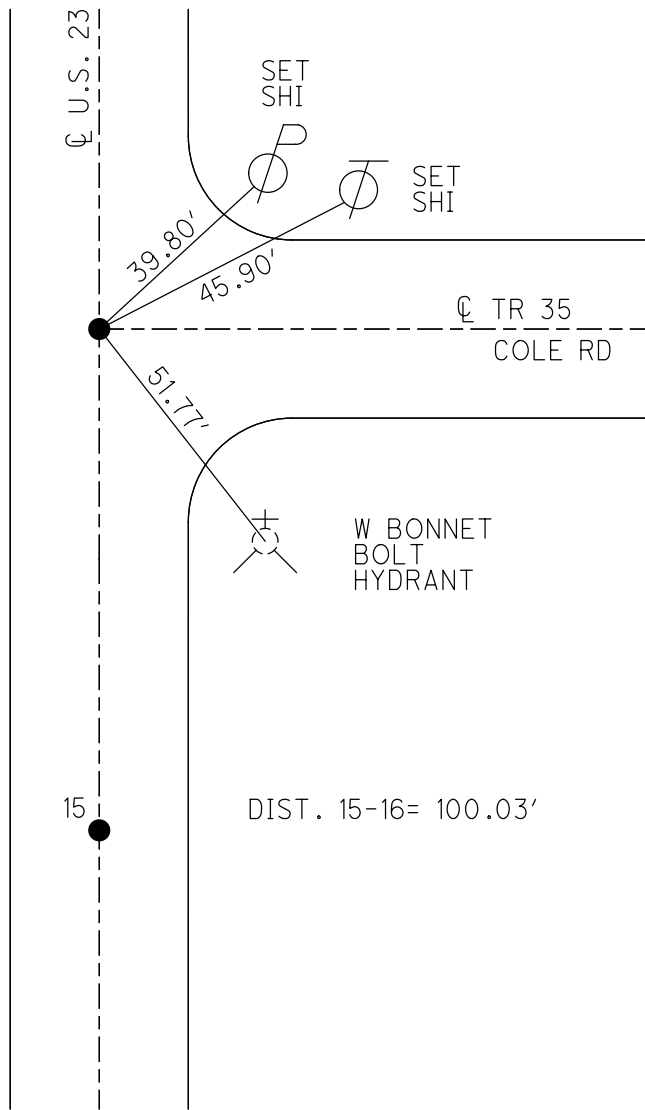
STATION: 239+44.53

HORZ.DATUM: NAD83 (2011) GEOID: 2012A

GRID: NORTHING: 571783.374 EASTING: 1715404.069



RECORD:  
 STA 226+00  
 FD P.K./WASHER  
 8/6/91, MB  
 SET P.K./WASHER  
 4/16/92, BVD  
 FD P.K./WASHER  
 2 1/2" DOWN  
 REF16  
 8/24/17, JFO  
 SET MAG/WASHER  
 10/28/19, JFO



O.D.O.T. DISTRICT 2 SURVEY OFFICE (USE ONLY)

PERSONNEL

REFERENCE NO. 17

SHEET 16 OF 22

NOTES RHOADES

DATE 5/7/19

ROUTE US 23

H.C. O'DONNELL

WEATHER CLOUDY

COUNTY WOOD

R.C. MILLER

TEMP. 50°

TOWNSHIP PERRY

DWG BY BALBAUGH PID 92134

SECTION 12

T 3 N R 12 E

TYPE MONUMENT P.K./WASHER

~~ON SURFACE~~ - BELOW 3"

OFFSET  $\odot$  PAVEMENT ON ~~LT~~ : ~~RT~~

12.2' TO LT EDGE PAVEMENT

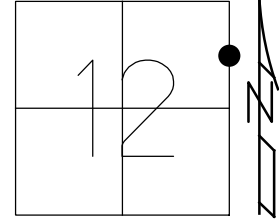
STATION: 251+65.79

HORZ.DATUM: NAD83 (2011)

GEOID: 2012A

GRID: NORTHING: 573004.426

EASTING: 1715428.765



RECORD:  
 STA 238+21.8  
 $\Delta = 0^{\circ}18'$  LT  
 FD P.K./WASHER  
 8/12/91, MB  
 SET P.K./WASHER  
 4/16/92, BVD  
 FD P.K.NAIL  
 3" DOWN  
 REF17  
 8/24/17, JFO  
 SET MAG/WASHER  
 10/28/19, JFO

U.S. 23

18

DIST. 17-18= 104.83'

FD "+" ON  
 FACE OF SQUARE  
 CONC. POST  
 "CENTER OF THE WORLD"



41.58'



38.29'



SET  
 SHI

O.D.O.T. DISTRICT 2 SURVEY OFFICE (USE ONLY)

PERSONNEL

REFERENCE NO. 18

SHEET 17 OF 22

NOTES RHOADES  
 H.C. O'DONNELL  
 R.C. MILLER

DATE 5/7/19  
 WEATHER CLOUDY  
 TEMP. 50°

ROUTE US 23  
 COUNTY WOOD  
 TOWNSHIP PERRY  
 SECTION 12  
 T 3 N R 12 E

DWG BY BALBAUGH PID 92134

TYPE MONUMENT P.K./WASHER

~~ON SURFACE~~ - BELOW 3"

OFFSET  $\odot$  PAVEMENT ON ~~LT~~ : ~~RT~~  
12.0' TO LT EDGE PAVEMENT

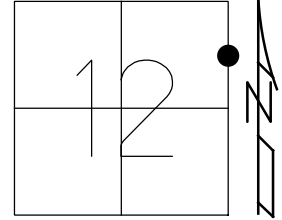
STATION: 252+70.56

HORZ. DATUM: NAD83 (2011)

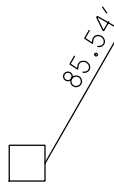
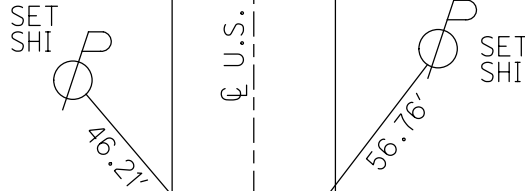
GEOID: 2012A

GRID: NORTHING: 573109.183

EASTING: 1715430.445



RECORD:  
 STA 239+26.61  
 FD P.K./WASHER  
 8/12/91, MB  
 SET P.K./WASHER  
 4/16/92, BVD  
 FD P.K./WASHER  
 3" DOWN  
 REF18  
 8/24/17, JFO  
 SET MAG/WASHER  
 10/28/19, JFO



FD "+" ON  
 FACE OF SQUARE  
 CONC. POST  
 "CENTER OF THE WORLD"

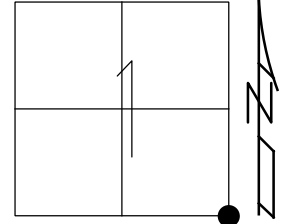
DIST. 17-18 = 104.83'

17

O.D.O.T. DISTRICT 2 SURVEY OFFICE (USE ONLY)

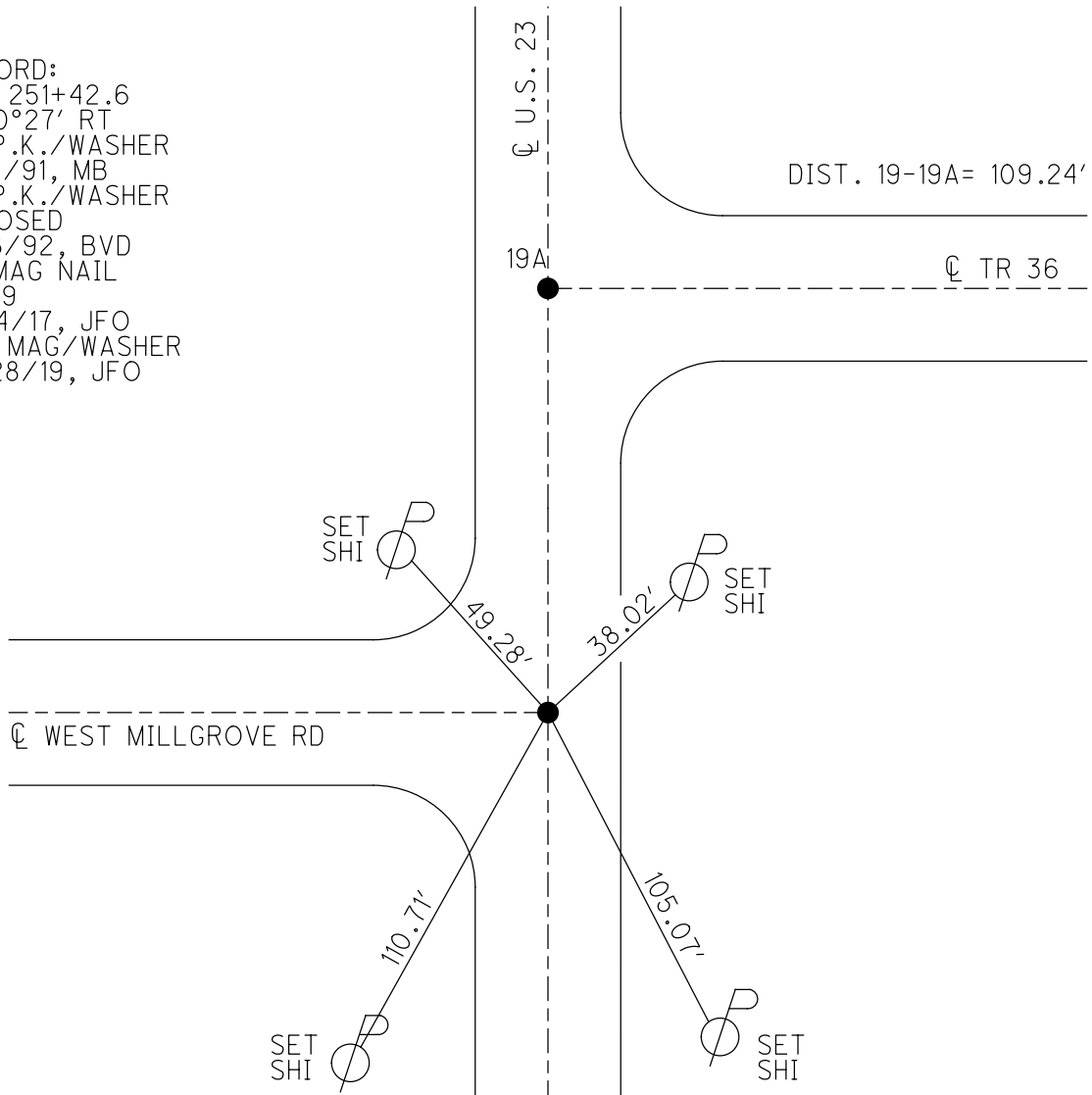
PERSONNEL \_\_\_\_\_ REFERENCE NO. 19 SHEET 18 OF 22  
 NOTES RHOADES DATE 5/7/19 ROUTE US 23  
 H.C. O'DONNELL WEATHER CLOUDY COUNTY WOOD  
 R.C. MILLER TEMP. 50° TOWNSHIP PERRY  
 DWG BY BALBAUGH PID 92134 SECTION 1  
 T 3 N R 12 E

TYPE MONUMENT MAG NAIL  
 ON SURFACE - ~~BELOW~~ ON  
 OFFSET CL PAVEMENT 0.5' LT : ~~RT~~  
12.0' TO RT EDGE PAVEMENT  
 STATION: 264+87.42



HORZ. DATUM: NAD83 (2011) GEOID: 2012A  
 GRID: NORTHING: 574325.907 EASTING: 1715448.798

RECORD:  
 STA 251+42.6  
 $\Delta = 0^\circ 27' RT$   
 FD P.K./WASHER  
 8/12/91, MB  
 FD P.K./WASHER  
 EXPOSED  
 4/16/92, BVD  
 FD MAG NAIL  
 REF19  
 8/24/17, JFO  
 SET MAG/WASHER  
 10/28/19, JFO



O.D.O.T. DISTRICT 2 SURVEY OFFICE (USE ONLY)

PERSONNEL

REFERENCE NO. 19 A

SHEET 19 OF 22

NOTES RHOADES

DATE 5/7/19

ROUTE US 23

H.C. O'DONNELL

WEATHER CLOUDY

COUNTY WOOD

R.C. MILLER

TEMP. 50°

TOWNSHIP PERRY

SECTION 1

DWG BY BALBAUGH PID 92134

T 3 N R 12 E

TYPE MONUMENT P.K.NAIL

ON SURFACE - ~~BELOW~~ ON

OFFSET  $\varnothing$  PAVEMENT 0.5' LT : ~~RT~~

     TO      EDGE PAVEMENT

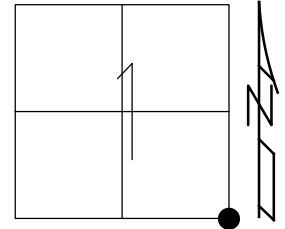
STATION: 265+96.70

HORIZ.DATUM: NAD83 (2011)

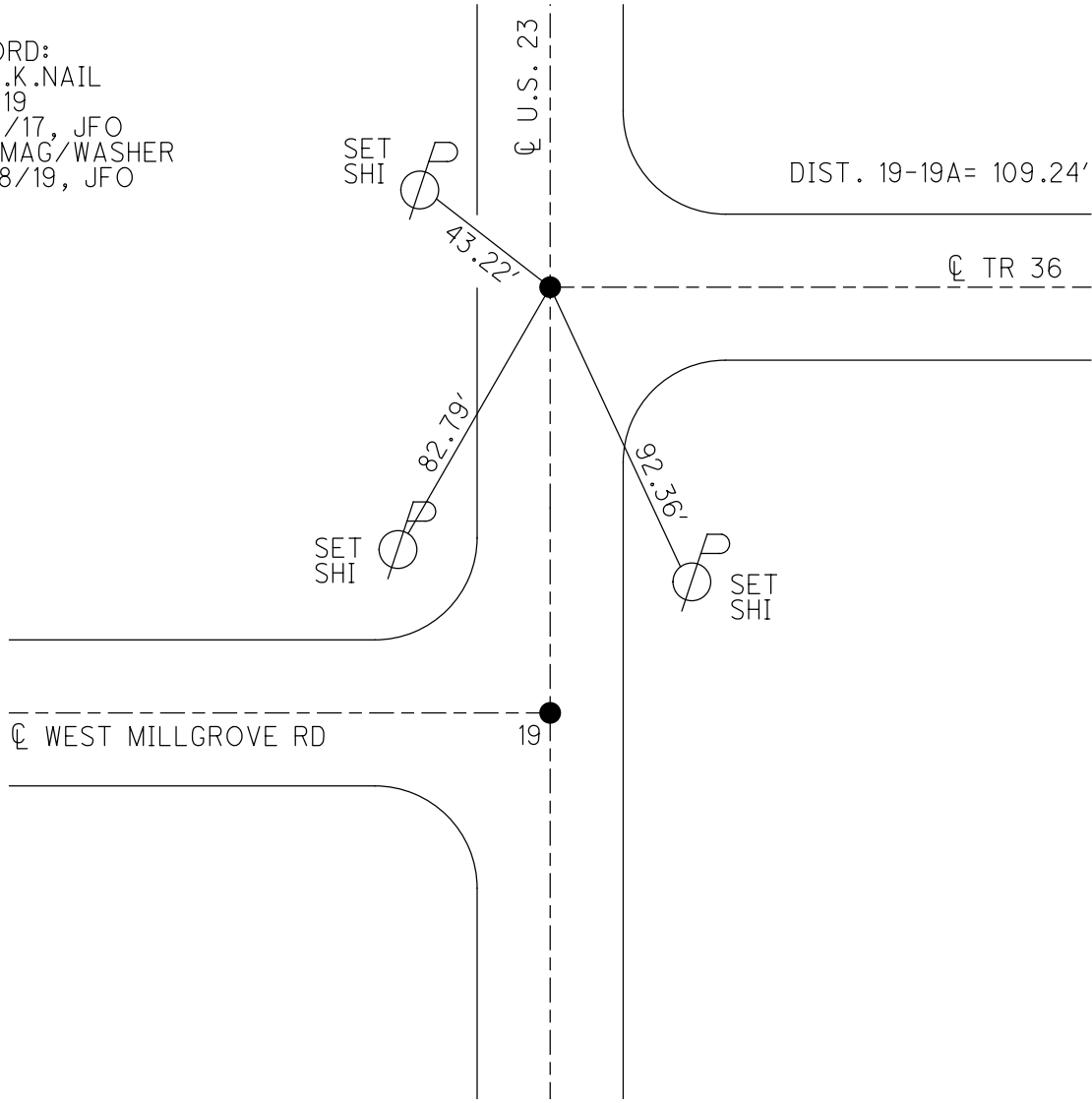
GEOID: 2012A

GRID: NORTHING: 574435.155

EASTING: 1715451.534



RECORD:  
FD P.K.NAIL  
REFA19  
8/24/17, JFO  
SET MAG/WASHER  
10/28/19, JFO





O.D.O.T. DISTRICT 2 SURVEY OFFICE (USE ONLY)

PERSONNEL

REFERENCE NO. 20

SHEET 20 OF 22

NOTES RHOADES DATE 5/7/19  
 H.C. O'DONNELL WEATHER CLOUDY  
 R.C. MILLER TEMP. 50°

ROUTE US 23  
 COUNTY WOOD  
 TOWNSHIP PERRY  
 SECTION 1

DWG BY BALBAUGH PID 92134

T 3 N R 12 E

TYPE MONUMENT P.K.NAIL

ON SURFACE - ~~BELOW~~ ON

OFFSET  $\text{C}$  PAVEMENT 1.2' LT : ~~RT~~

10.9' TO LT EDGE PAVEMENT

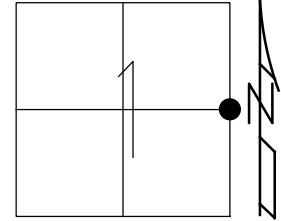
STATION: 291+36.06

HORIZ.DATUM: NAD83 (2011)

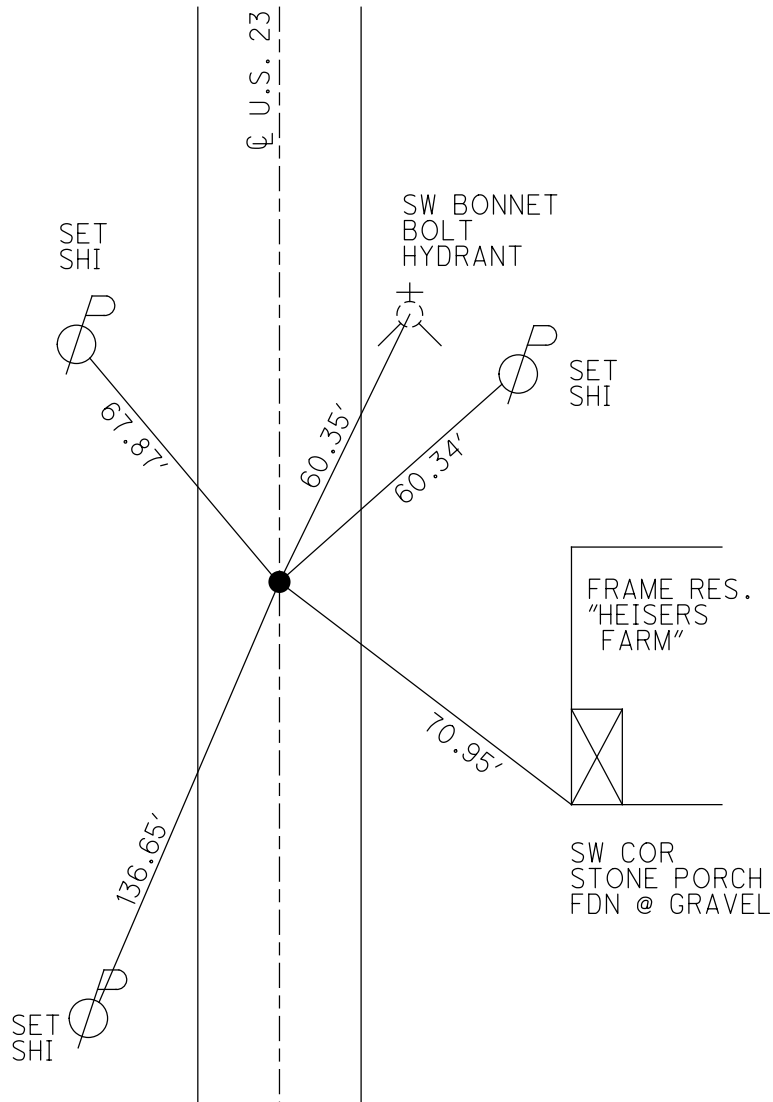
GEOID: 2012A

GRID: NORTHING: 576973.848

EASTING: 1715509.400



RECORD:  
 STA 277+91.95  
 $\Delta = 0^\circ 22'$  RT  
 FD P.K./WASHER  
 8/12/91, MB  
 SET P.K./WASHER  
 4/16/92, BVD  
 FD P.K.NAIL  
 REF20  
 8/25/17, JFO  
 SET MAG/WASHER  
 10/28/19, JFO



O.D.O.T. DISTRICT 2 SURVEY OFFICE (USE ONLY)

PERSONNEL \_\_\_\_\_ REFERENCE NO. 21 SHEET 21 OF 22  
 NOTES RHOADES DATE 5/7/19 ROUTE US 23  
 H.C. O'DONNELL WEATHER CLOUDY COUNTY WOOD  
 R.C. MILLER TEMP. 50° TOWNSHIP MONTGOMERY  
 DWG BY BALBAUGH PID 92134 SECTION 36  
 T 4 N R 12 E

TYPE MONUMENT P.K.NAIL

~~ON SURFACE~~ - BELOW 3"

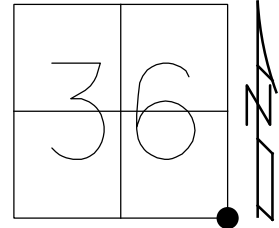
OFFSET  $\odot$  PAVEMENT 0.5' LT : ~~RT~~

- TO - EDGE PAVEMENT

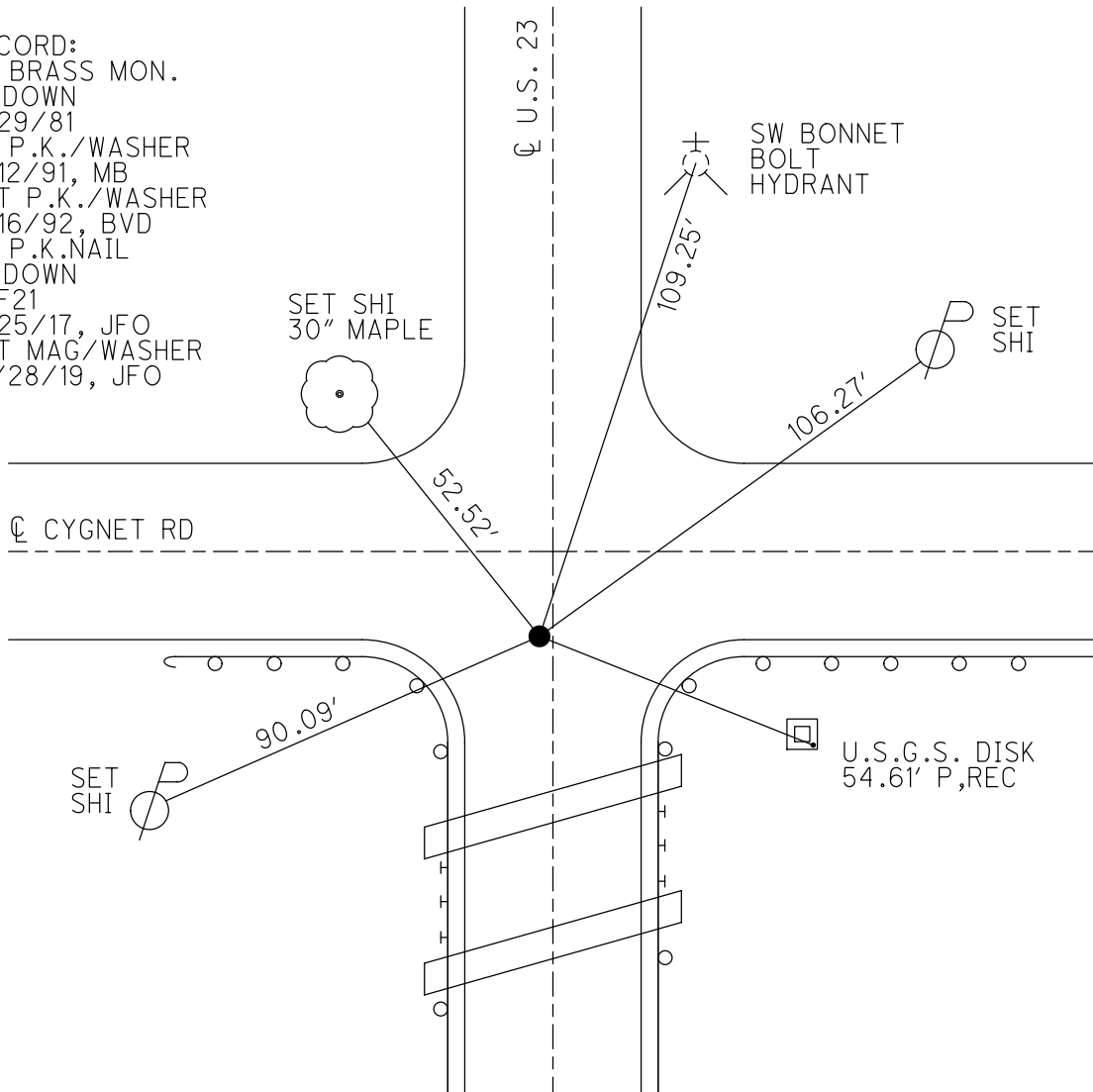
STATION: 317+85.60

HORIZ.DATUM: NAD83 (2011) GEOID: 2012A

GRID: NORTHING: 579622.267 EASTING: 1715586.533



RECORD:  
 FD BRASS MON.  
 2" DOWN  
 7/29/81  
 FD P.K./WASHER  
 8/12/91, MB  
 SET P.K./WASHER  
 4/16/92, BVD  
 FD P.K.NAIL  
 3" DOWN  
 REF21  
 8/25/17, JFO  
 SET MAG/WASHER  
 10/28/19, JFO



O.D.O.T. DISTRICT 2 SURVEY OFFICE (USE ONLY)

PERSONNEL

REFERENCE NO. 22

SHEET 27 OF 46

NOTES RHOADES  
 H.C. O'DONNELL  
 R.C. KETNER  
AUBLE

DATE 4/20/21  
 WEATHER SUNNY  
 TEMP. 38°

ROUTE US 23  
 COUNTY WOOD  
 TOWNSHIP MONTGOMERY  
 SECTION 36

DWG BY RHOADES PID 102922

T 4 N R 12 E

TYPE MONUMENT MAG NAIL

~~ON SURFACE~~ - BELOW ON

OFFSET  $\odot$  PAVEMENT 0.5' LT : ~~RT~~

12.6' TO LT EDGE PAVEMENT

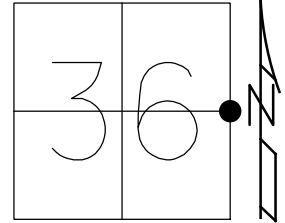
STATION: 344+16.91

HORIZ. DATUM: NAD83 (2011)

GEOID: NAVD88 2012A

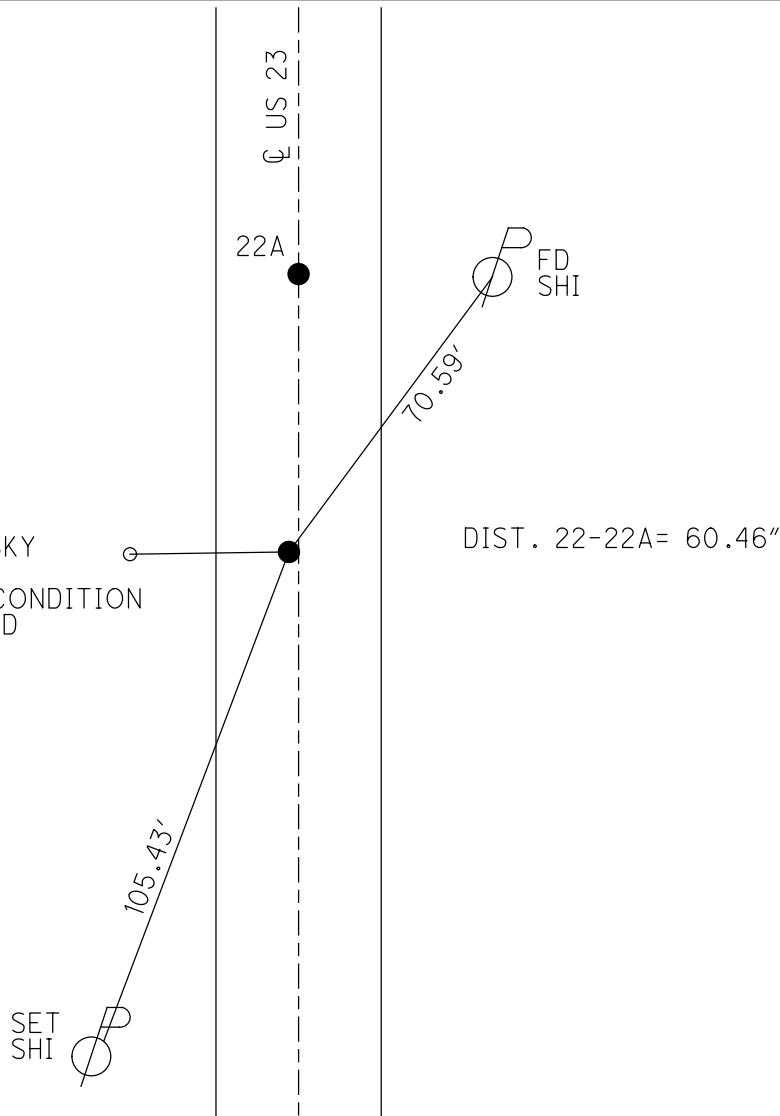
GRID: NORTHING: 582251.999

EASTING: 1715677.770



RECORD:  
 $\Delta = 0^{\circ}04'$  LT  
 STA. 330+74.75  
 FD P.K./WASHER  
 8/12/91, MB  
 SET P.K./WASHER  
 4/16/92, BVD  
 FD P.K./WASHER  
 5/9/00  
 FD MAG NAIL  
 REF22  
 8/25/17, JFO  
 FD MAG NAIL  
 4/20/21, JFO  
 SET MAG/WASHER  
 9/23/22, DSA

SANDUSKY  
 CMON  
 POOR CONDITION  
 37.53' D



O.D.O.T. DISTRICT 2 SURVEY OFFICE (USE ONLY)

PERSONNEL \_\_\_\_\_ REFERENCE NO. 22 A SHEET 28 OF 46  
 NOTES RHOADES DATE 4/20/21 ROUTE US 23  
 H.C. O'DONNELL WEATHER SUNNY COUNTY WOOD  
 R.C. KETNER TEMP. 38° TOWNSHIP MONTGOMERY  
AUBLE SECTION 36  
 DWG BY RHOADES PID 102922 T 4 N R 12 E

TYPE MONUMENT MAG NAIL

~~ON SURFACE~~ - BELOW ON

OFFSET  $\odot$  PAVEMENT 0.5' LT : ~~RT~~

12.6' TO LT EDGE PAVEMENT

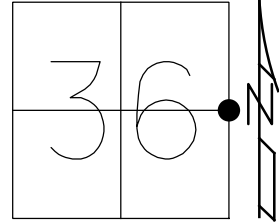
STATION: 344+77.37

HORZ. DATUM: NAD83 (2011)

GEOID: NAVD88 2012A

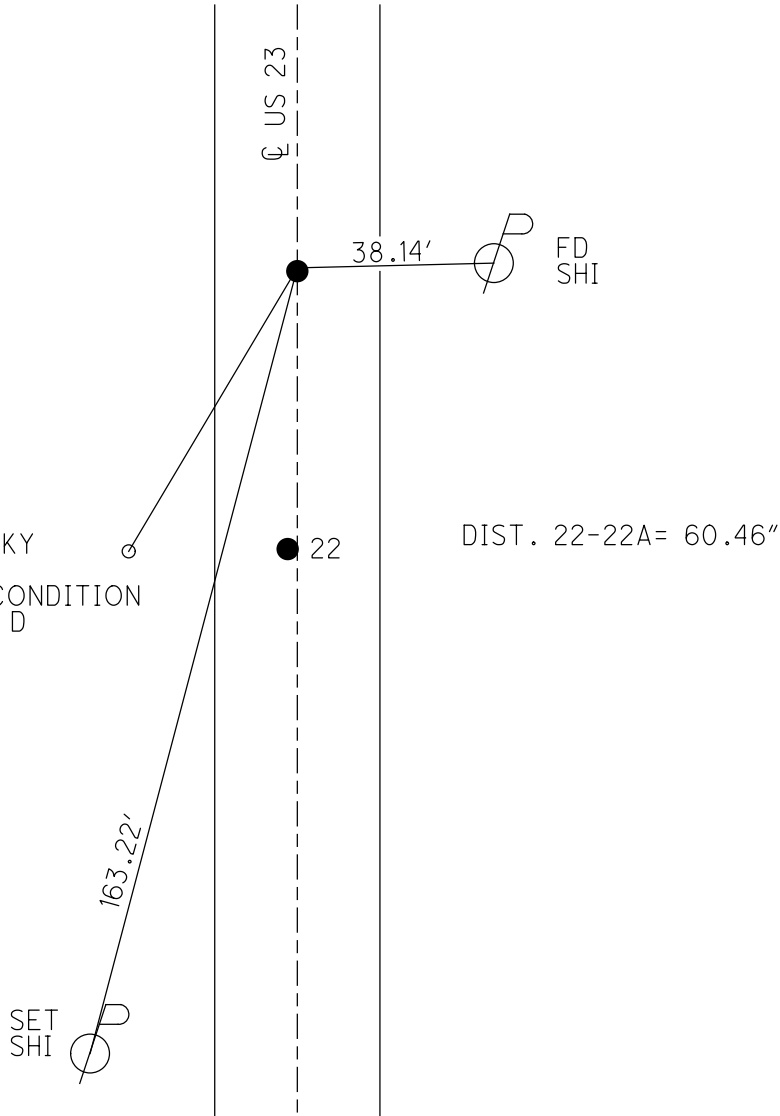
GRID: NORTHING: 582312.427

EASTING: 1715679.740



RECORD:  
 FD MAG NAIL  
 REFA22  
 4/20/21, JFO  
 SET MAG/WASHER  
 9/23/22, DSA

SANDUSKY  
 CMON  
 POOR CONDITION  
 73.59'' D



O.D.O.T. DISTRICT 2 SURVEY OFFICE (USE ONLY)

PERSONNEL

REFERENCE NO. 23

SHEET 29 OF 46

NOTES RHOADES DATE 4/20/22  
 H.C. O'DONNELL WEATHER SUNNY  
 R.C. KETNER TEMP. 38°  
AUBLE

ROUTE US 23  
 COUNTY WOOD  
 TOWNSHIP MONTGOMERY  
 SECTION 25  
 T 4 N R 12 E

DWG BY RHOADES PID 102922

TYPE MONUMENT MAG/WASHER

ON SURFACE - ~~BELOW~~ ON

OFFSET ☉ PAVEMENT ON LT : RT

- TO - EDGE PAVEMENT

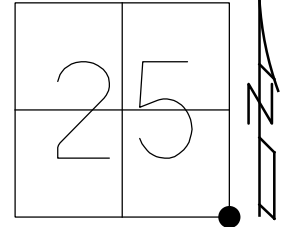
STATION: 370+90.09

HORZ.DATUM: NAD83(2011)

GEOID: 18

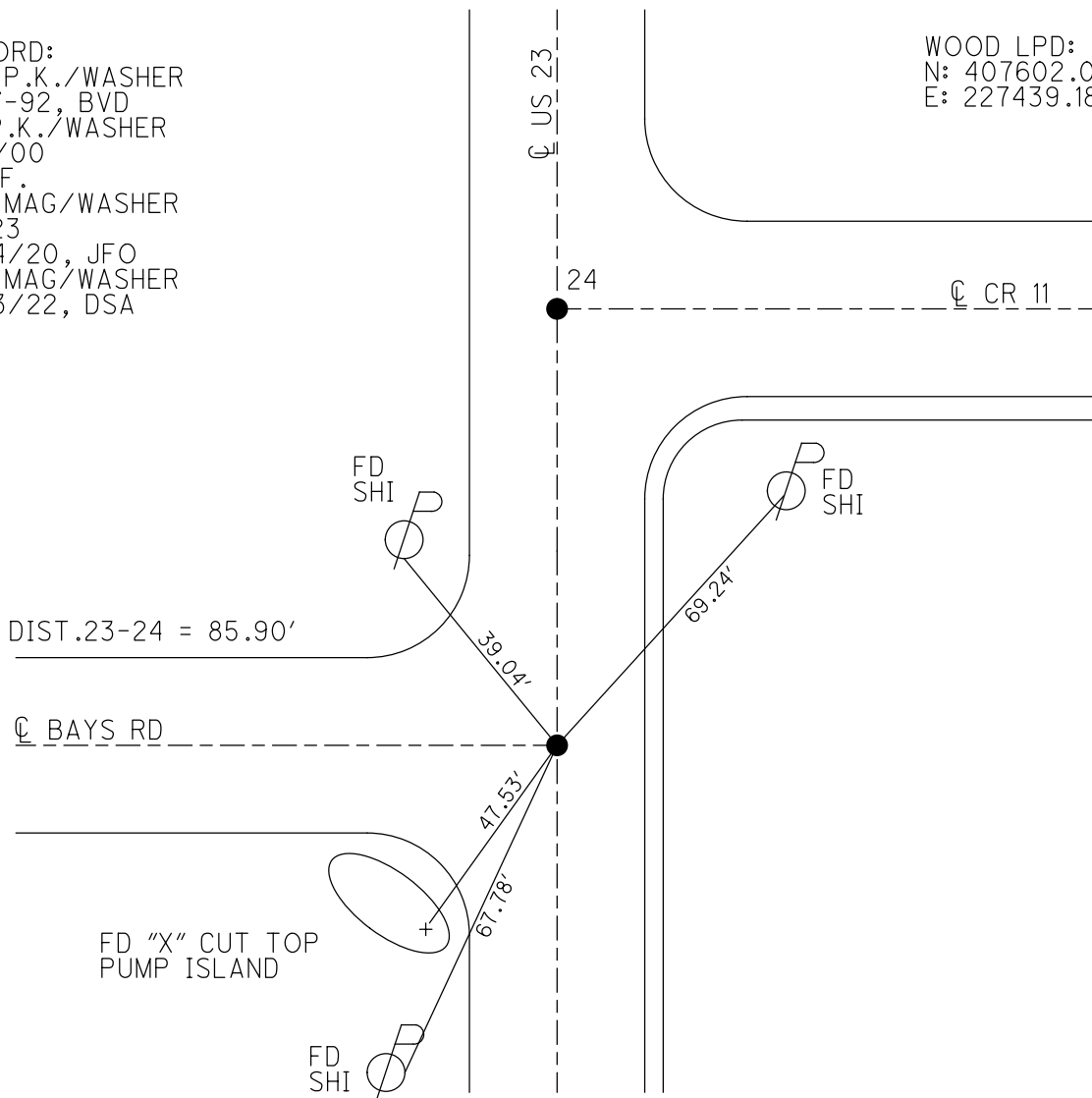
GRID: NORTHING: 584923.663

EASTING: 1715767.615



RECORD:  
 SET P.K./WASHER  
 4-27-92, BVD  
 FD P.K./WASHER  
 5/9/00  
 D.N.F.  
 SET MAG/WASHER  
 REF23  
 3/24/20, JFO  
 SET MAG/WASHER  
 9/23/22, DSA

WOOD LPD:  
 N: 407602.002  
 E: 227439.186



O.D.O.T. DISTRICT 2 SURVEY OFFICE (USE ONLY)

PERSONNEL

REFERENCE NO. 24

SHEET 30 OF 46

NOTES RHOADES

DATE 4/20/22

ROUTE US 23

H.C. O'DONNELL

WEATHER SUNNY

COUNTY WOOD

R.C. KETNER  
AUBLE

TEMP. 38°

TOWNSHIP MONTGOMERY

DWG BY RHOADES PID 102922

SECTION 25

T 4 N R 12 E

TYPE MONUMENT P.K.SHANK

~~ON SURFACE~~ - BELOW ON

OFFSET ☉ PAVEMENT ON LT : RT

- TO - EDGE PAVEMENT

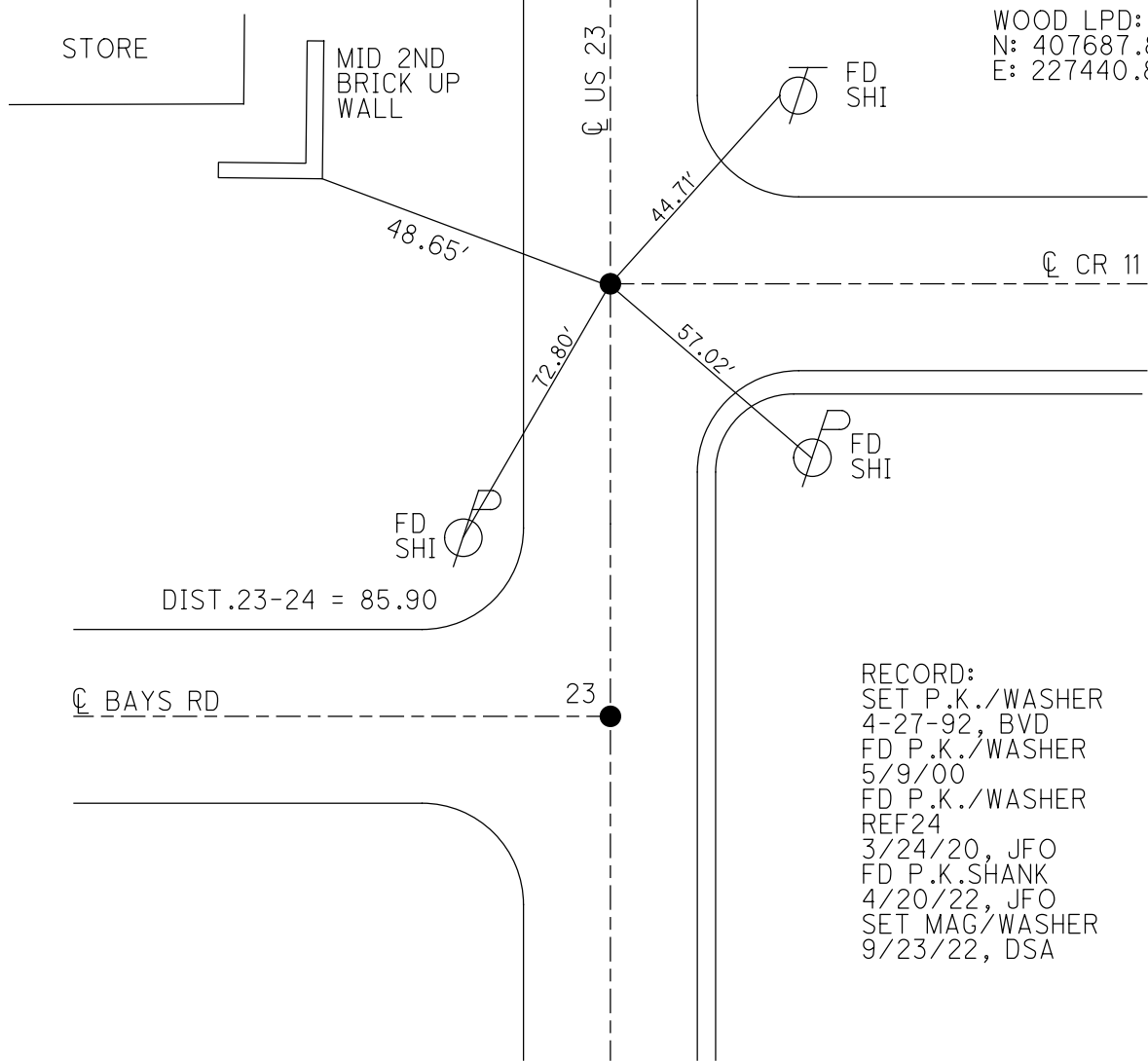
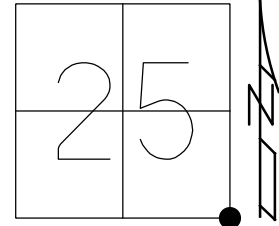
STATION: 371+75.99

HORZ.DATUM: NAD83(2011)

GEOID: 18

GRID: NORTHING: 585009.455

EASTING: 1715770.454



WOOD LPD:  
N: 407687.831  
E: 227440.893

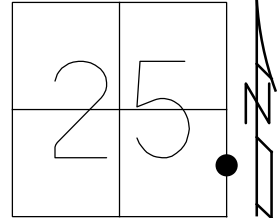
RECORD:  
SET P.K./WASHER  
4-27-92, BVD  
FD P.K./WASHER  
5/9/00  
FD P.K./WASHER  
REF24  
3/24/20, JFO  
FD P.K.SHANK  
4/20/22, JFO  
SET MAG/WASHER  
9/23/22, DSA

O.D.O.T. DISTRICT 2 SURVEY OFFICE (USE ONLY)

PERSONNEL \_\_\_\_\_ REFERENCE NO. 24 A SHEET 31 OF 46  
 NOTES RHOADES DATE 4/20/22 ROUTE US 23  
 H.C. O'DONNELL WEATHER SUNNY COUNTY WOOD  
 R.C. KETNER TEMP. 38° TOWNSHIP MONTGOMERY  
AUBLE SECTION 25  
 DWG BY RHOADES PID 102922 T 4 N R 12 E

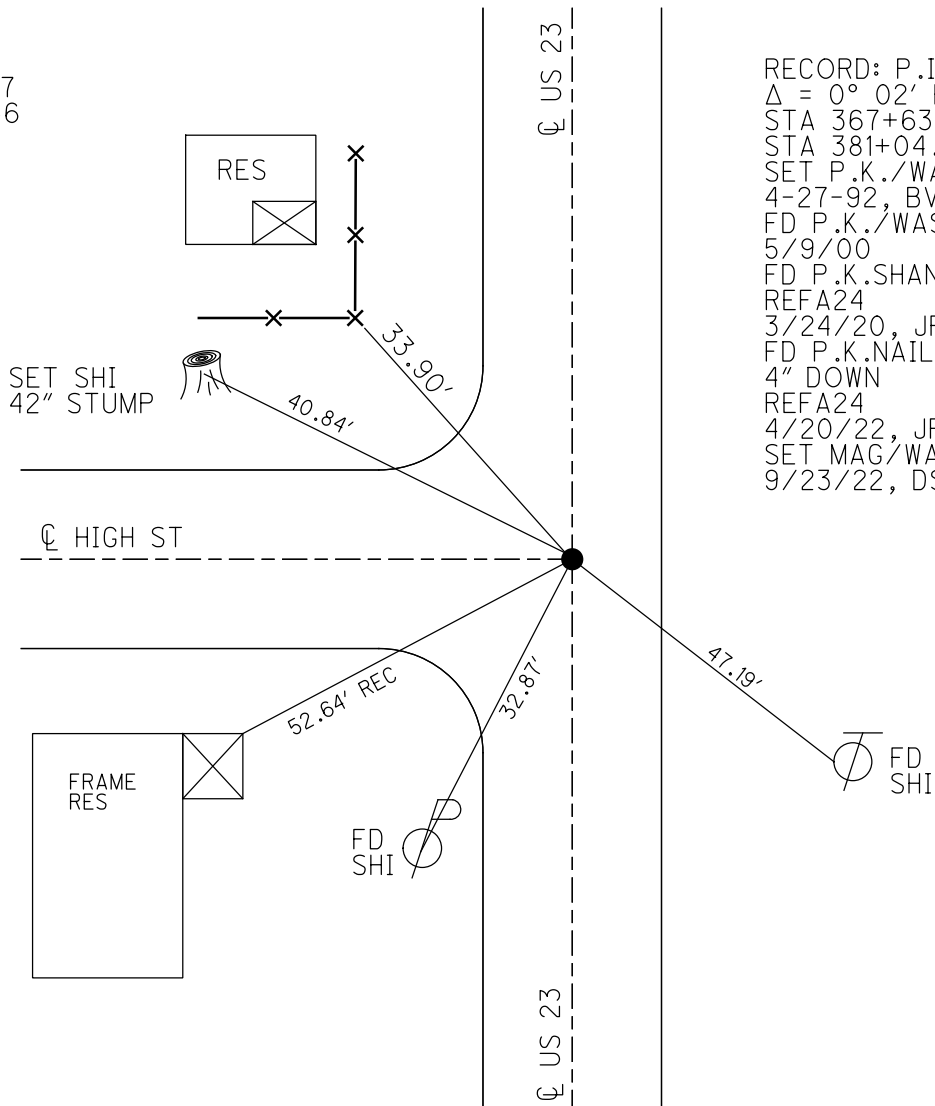
TYPE MONUMENT P.K.NAIL  
~~ON SURFACE~~ - BELOW 4"  
 OFFSET CL PAVEMENT ON LT : RT  
12.5' TO RT EDGE PAVEMENT  
 STATION: 381+04.36

HORZ.DATUM: NAD83(2011) GEOID: NAVD88 2018  
 GRID: NORTHING: 585937.314 EASTING: 1715802.953



WOOD LPD:  
 N: 408616.117  
 E: 227461.146

RECORD: P.I.  
 $\Delta = 0^\circ 02' RT$   
 STA 367+63.20  
 STA 381+04.28  
 SET P.K./WASHER  
 4-27-92, BVD  
 FD P.K./WASHER  
 5/9/00  
 FD P.K.SHANK  
 REFA24  
 3/24/20, JFO  
 FD P.K.NAIL  
 4" DOWN  
 REFA24  
 4/20/22, JFO  
 SET MAG/WASHER  
 9/23/22, DSA



O.D.O.T. DISTRICT 2 SURVEY OFFICE (USE ONLY)

PERSONNEL

REFERENCE NO. 26

SHEET 32 OF 46

NOTES RHOADES

DATE 4/20/21

ROUTE US 23

H.C. O'DONNELL

WEATHER SUNNY

COUNTY WOOD

R.C. KETNER

TEMP. 38°

TOWNSHIP MONTGOMERY

AUBLE

SECTION 24

DWG BY RHOADES PID 102922

T 4 N R 12 E

TYPE MONUMENT R.R.SPIKE

~~ON SURFACE~~ - BELOW 6"

OFFSET  $\odot$  PAVEMENT ON LT : RT

11.7 TO RT EDGE PAVEMENT

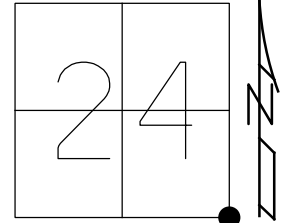
STATION: 423+93.26

HORZ.DATUM: NAD83(2011)

GEOID: NAVD88 2018

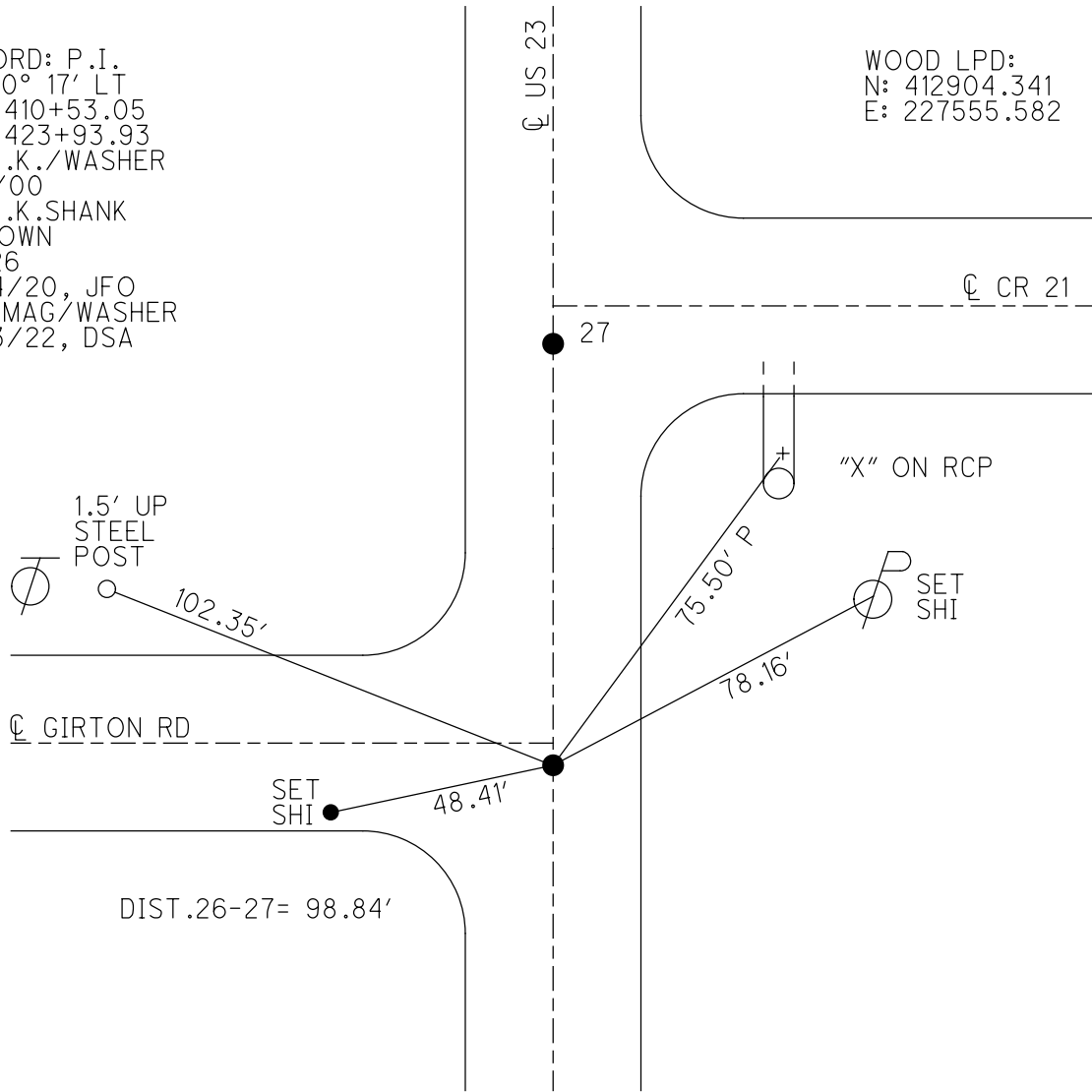
GRID: NORTHING: 590223.560

EASTING: 1715953.957



RECORD: P.I.  
 $\Delta = 0^\circ 17' \text{ LT}$   
 STA 410+53.05  
 STA 423+93.93  
 FD P.K./WASHER  
 5/9/00  
 FD P.K.SHANK  
 4" DOWN  
 REF26  
 3/24/20, JFO  
 SET MAG/WASHER  
 9/23/22, DSA

WOOD LPD:  
 N: 412904.341  
 E: 227555.582





O.D.O.T. DISTRICT 2 SURVEY OFFICE (USE ONLY)

PERSONNEL

REFERENCE NO. 27

SHEET 33 OF 46

NOTES RHOADES  
 H.C. O'DONNELL  
 R.C. KETNER  
AUBLE

DATE 4/20/21  
 WEATHER SUNNY  
 TEMP. 38°

ROUTE US 23  
 COUNTY WOOD  
 TOWNSHIP MONTGOMERY  
 SECTION 24

DWG BY RHOADES PID 102922

T 4 N R 12 E

TYPE MONUMENT P.K.NAIL

~~ON SURFACE~~ - BELOW 4"

OFFSET  $\phi$  PAVEMENT ON LT : RT

12.6' TO LT EDGE PAVEMENT

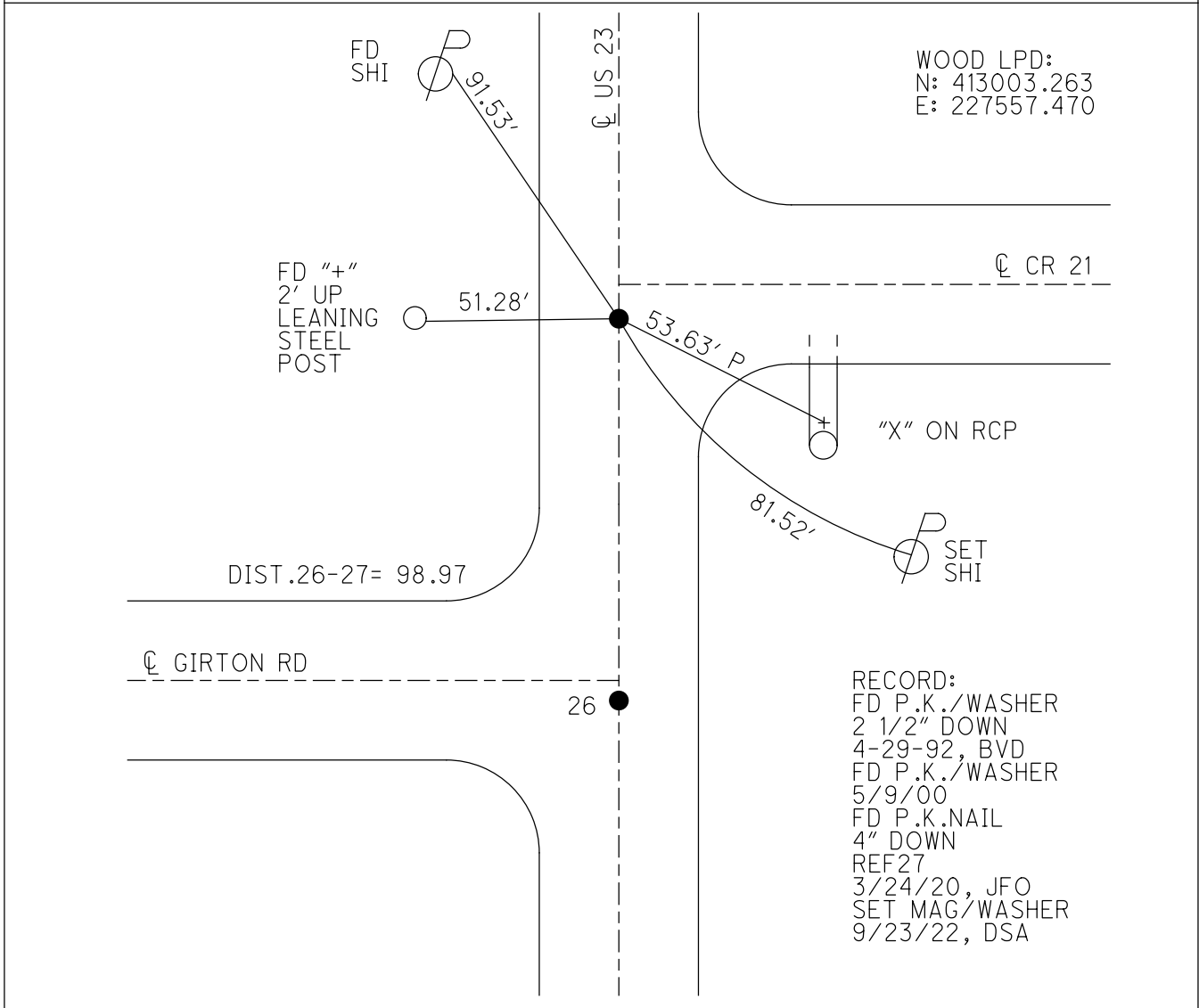
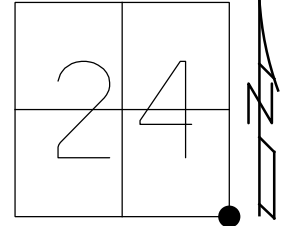
STATION: 424+92.1

HORZ.DATUM: NAD83(2011)

GEOID: NAVD88 2018

GRID: NORTHING: 590322.440

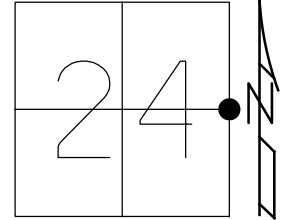
EASTING: 1715957.151



O.D.O.T. DISTRICT 2 SURVEY OFFICE (USE ONLY)

PERSONNEL \_\_\_\_\_ REFERENCE NO. 28 SHEET 34 OF 46  
 NOTES RHOADES DATE 4/20/22 ROUTE US 23  
 H.C. O'DONNELL WEATHER SUNNY COUNTY WOOD  
 R.C. KETNER TEMP. 38° TOWNSHIP MONTGOMERY  
AUBLE SECTION 24  
 DWG BY RHOADES PID 102922 T 4 N R 12 E

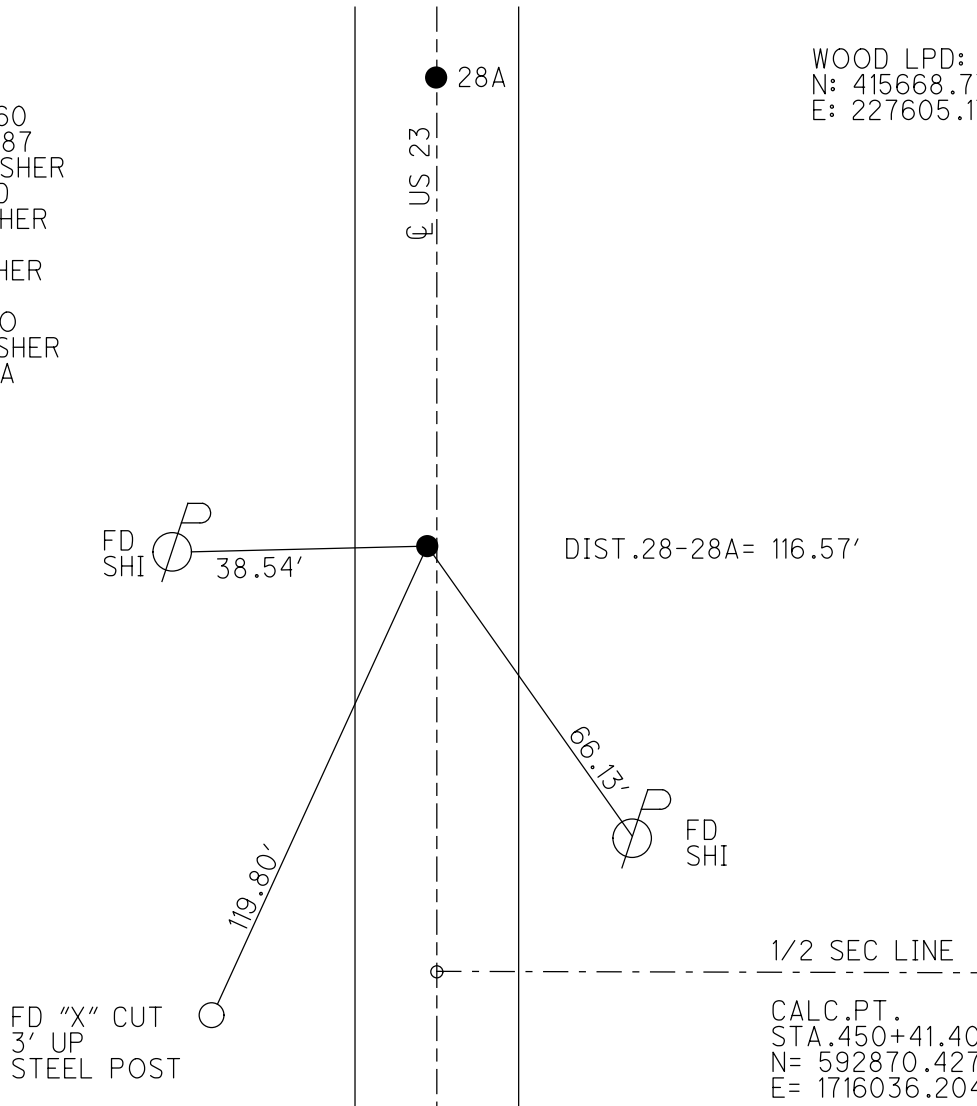
TYPE MONUMENT MAG NAIL  
 ON SURFACE - ~~BELOW~~ ON  
 OFFSET Q PAVEMENT ON LT : RT  
11.8 TO RT EDGE PAVEMENT  
 STATION: 451+57.9



HORZ.DATUM: NAD83(2011) GEOID: NAVD88 2018  
 GRID: NORTHING: 592986.864 EASTING: 1716040.019

RECORD: P.I.  
 $\Delta = 0^\circ 1' \text{ LT}$   
 STA 437+01.60  
 STA 450+42.87  
 SET P.K./WASHER  
 4-27-92, BVD  
 FD P.K./WASHER  
 5/9/00  
 FD MAG/WASHER  
 REF28  
 3/24/20, JFO  
 SET MAG/WASHER  
 9/23/22, DSA

WOOD LPD:  
 N: 415668.771  
 E: 227605.173



FD "X" CUT  
 3' UP  
 STEEL POST

CALC.PT.  
 STA.450+41.40  
 N= 592870.427  
 E= 1716036.204

O.D.O.T. DISTRICT 2 SURVEY OFFICE (USE ONLY)

PERSONNEL

REFERENCE NO. 28 A

SHEET 35 OF 46

NOTES RHOADES

DATE 4/20/22

ROUTE US 23

H.C. O'DONNELL

WEATHER SUNNY

COUNTY WOOD

R.C. KETNER

TEMP. 38°

TOWNSHIP MONTGOMERY

AUBLE

DWG BY RHOADES PID 102922

SECTION 24

T 4 N R 12 E

TYPE MONUMENT MAG NAIL

ON SURFACE - ~~BELOW~~ ON

OFFSET ☉ PAVEMENT ON LT : RT

11.8 TO RT EDGE PAVEMENT

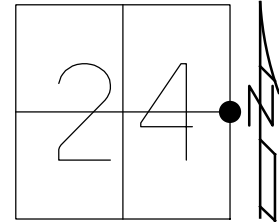
STATION: 452+74.47

HORZ.DATUM: NAD83(2011)

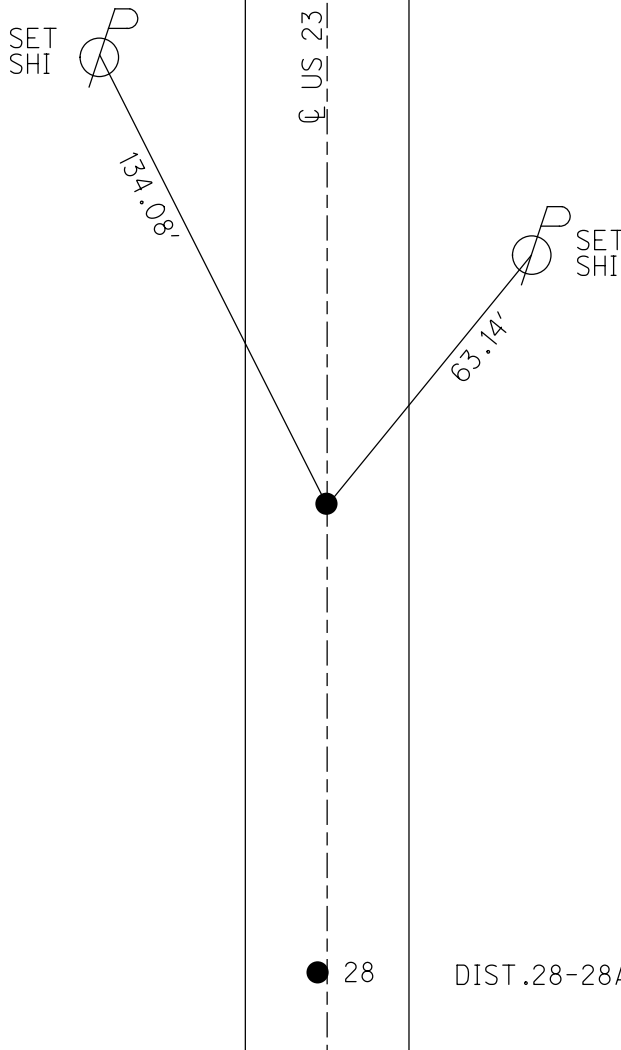
GEOID: NAVD88 2018

GRID: NORTHING: 592986.864

EASTING: 1716040.019



RECORD:  
FD MAG NAIL  
REFA28  
3/24/20, JFO  
SET MAG/WASHER  
9/23/22, DSA



DIST .28-28A= 116.57'

O.D.O.T. DISTRICT 2 SURVEY OFFICE (USE ONLY)

PERSONNEL

REFERENCE NO. 29

SHEET 36 OF 46

NOTES RHOADES  
 H.C. O'DONNELL  
 R.C. KETNER  
AUBLE

DATE 4/20/22  
 WEATHER SUNNY  
 TEMP. 40°

ROUTE US 23  
 COUNTY WOOD  
 TOWNSHIP MONTGOMERY  
 SECTION 13

DWG BY RHOADES PID 102922

T 4 N R 12 E

TYPE MONUMENT MONBOX W/"+" CUT TOP STONE

ON SURFACE - ~~BELOW~~ ON

OFFSET 12.2 TO RT EDGE PAVEMENT

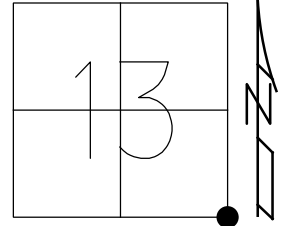
STATION: 476+88.91

HORIZ.DATUM: NAD83(2011)

GEOID: NAVD88 2018

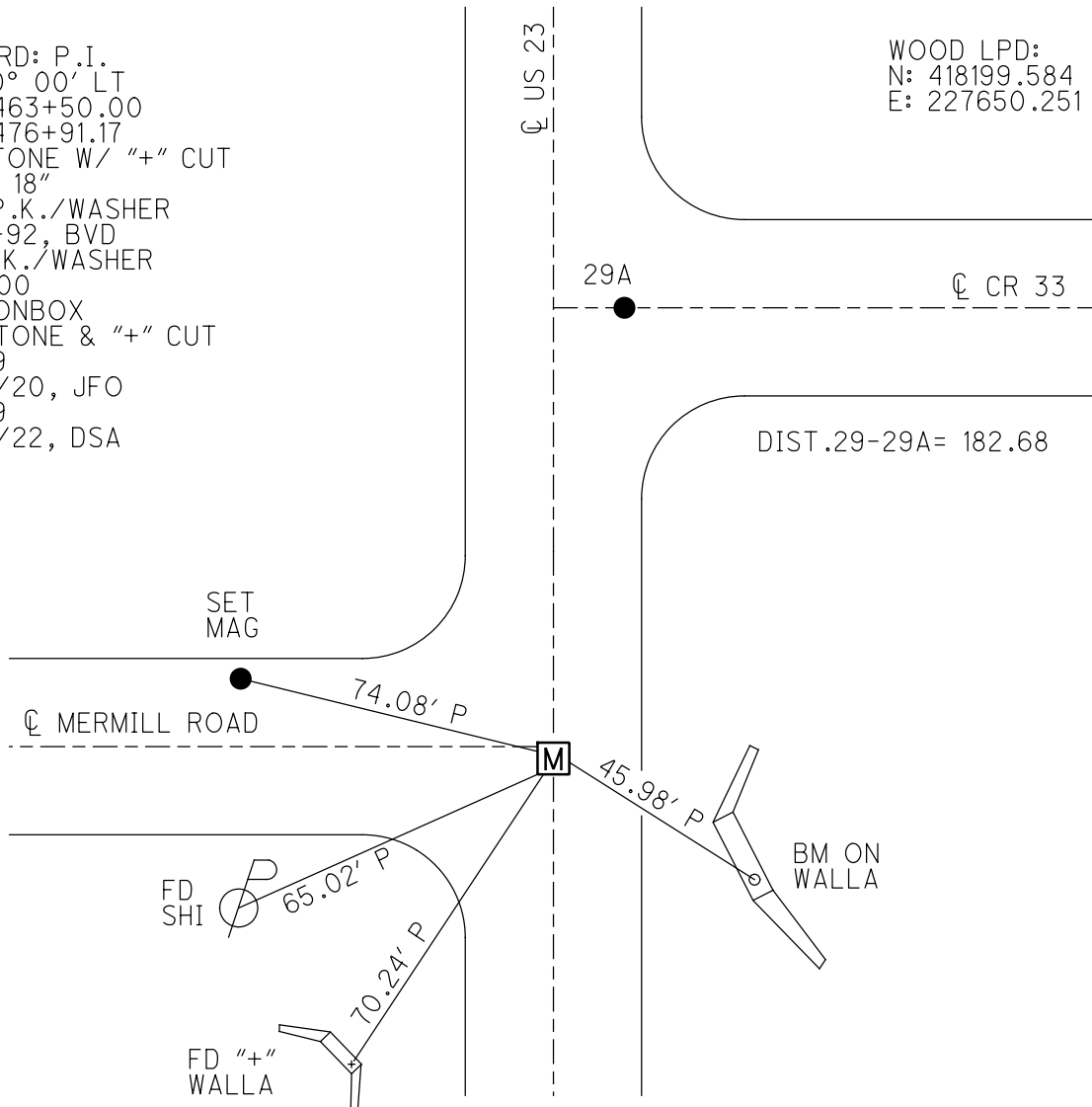
GRID: NORTHING: 595516.652

EASTING: 1716118.487



RECORD: P.I.  
 $\Delta = 0^\circ 00' \text{ LT}$   
 STA 463+50.00  
 STA 476+91.17  
 FD STONE W/ "+" CUT  
 DOWN 18"  
 SET P.K./WASHER  
 4-29-92, BVD  
 FD P.K./WASHER  
 5/9/00  
 FD MONBOX  
 W/ STONE & "+" CUT  
 REF29  
 3/24/20, JFO  
 REF29  
 9/23/22, DSA

WOOD LPD:  
 N: 418199.584  
 E: 227650.251



O.D.O.T. DISTRICT 2 SURVEY OFFICE (USE ONLY)

PERSONNEL

REFERENCE NO. 29 A

SHEET 37 OF 46

NOTES RHOADES

DATE 4/20/22

ROUTE US 23

H.C. O'DONNELL

WEATHER SUNNY

COUNTY WOOD

R.C. KETNER

TEMP. 40°

TOWNSHIP MONTGOMERY

AUBLE

SECTION 13

DWG BY RHOADES PID 102922

T 4 N R 12 E

TYPE MONUMENT MAG NAIL

ON SURFACE - ~~BELOW~~ ON

OFFSET 6' ~~±~~ : RT

12.2 TO RT EDGE PAVEMENT

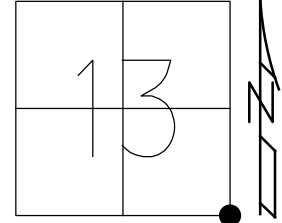
STATION: 478+71.59

HORZ.DATUM: NAD83(2011)

GEOID: NAVD88 2018

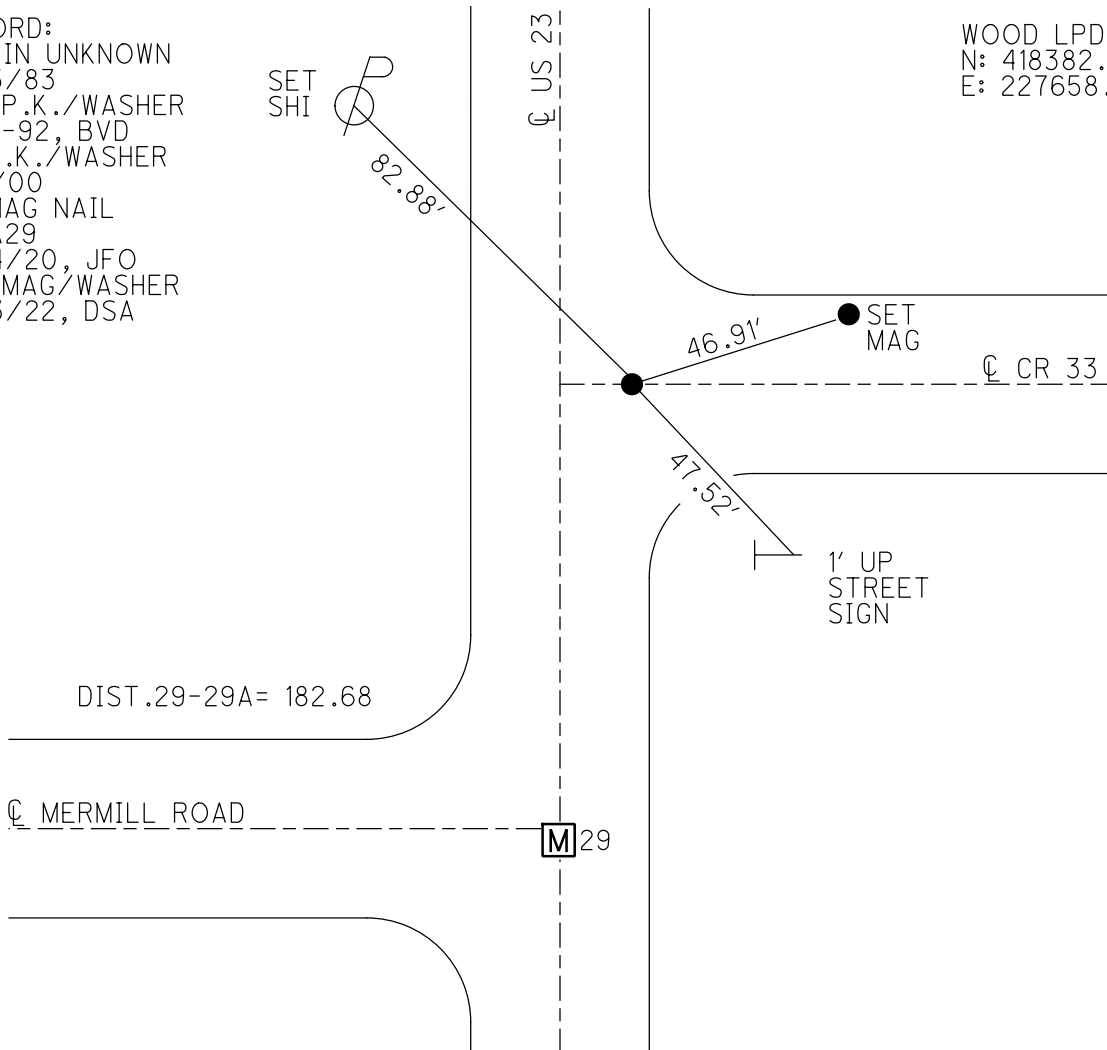
GRID: NORTHING: 595699.031

EASTING: 1716129.394



RECORD:  
 ORIGIN UNKNOWN  
 7/23/83  
 SET P.K./WASHER  
 4-27-92, BVD  
 FD P.K./WASHER  
 5/9/00  
 FD MAG NAIL  
 REFA29  
 3/24/20, JFO  
 SET MAG/WASHER  
 9/23/22, DSA

WOOD LPD:  
 N: 418382.105  
 E: 227658.751



O.D.O.T. DISTRICT 2 SURVEY OFFICE (USE ONLY)

PERSONNEL

REFERENCE NO. 30

SHEET 38 OF 46

NOTES RHOADES DATE 4/20/22  
 H.C. O'DONNELL WEATHER SUNNY  
 R.C. KETNER TEMP. 50°  
AUBLE

ROUTE US 23  
 COUNTY WOOD  
 TOWNSHIP MONTGOMERY  
 SECTION 13  
 T 4 N R 12 E

DWG BY RHOADES PID 102922

TYPE MONUMENT P.K./WASHER

ON SURFACE - ~~BELOW~~ ON

OFFSET  $\text{C}$  PAVEMENT 2' ~~LT~~ : RT

13.6 TO LT EDGE PAVEMENT

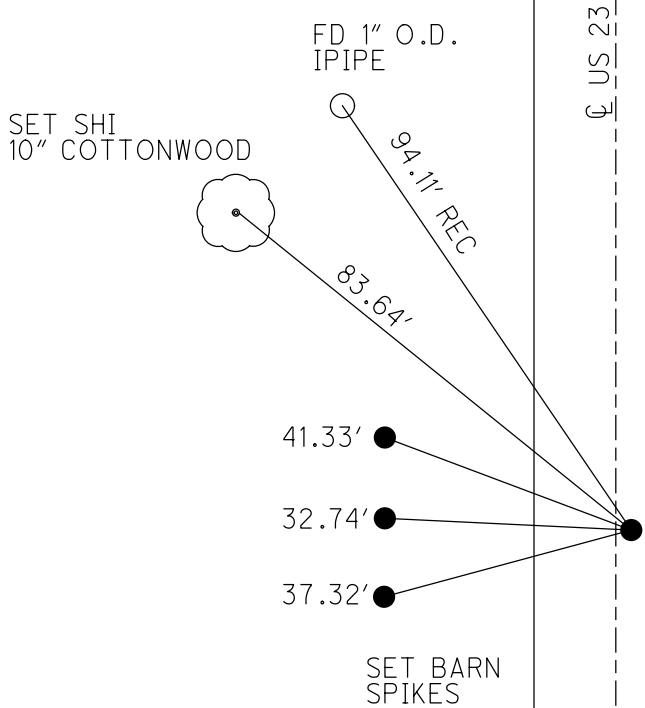
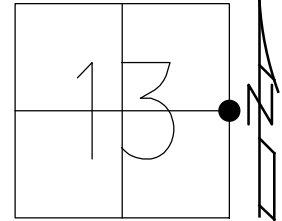
STATION: 502+54.48

HORZ.DATUM: NAD83(2011)

GEOID: NAVD88 2018

GRID: NORTHING: 598080.983

EASTING: 1716198.387



WOOD LPD:  
 N: 420764.956  
 E: 227696.304

RECORD: P.O.T.  
 $\Delta = 0^{\circ}-00'$  LT  
 STA 489+15.25  
 STA 502+56.32  
 SET P.K./WASHER  
 4-27-92, BVD  
 FD P.K./WASHER  
 5/9/00  
 FD P.K./WASHER  
 REF 30  
 3/24/20, JFO  
 SET MAG/WASHER  
 9/26/22, DSA

O.D.O.T. DISTRICT 2 SURVEY OFFICE (USE ONLY)

PERSONNEL \_\_\_\_\_ REFERENCE NO. 31 SHEET 39 OF 46  
 NOTES RHOADES DATE 4/20/22 ROUTE US 23  
 H.C. O'DONNELL WEATHER SUNNY COUNTY WOOD  
 R.C. KETNER TEMP. 50° TOWNSHIP MONTGOMERY  
AUBLE SECTION 12  
 DWG BY RHOADES PID R/W T 4 N R 12 E

TYPE MONUMENT R.R.SPIKE

~~ON SURFACE~~ - BELOW 4"

OFFSET  $\odot$  PAVEMENT 1.5' ~~LT~~ : RT

13.0' TO LT EDGE PAVEMENT

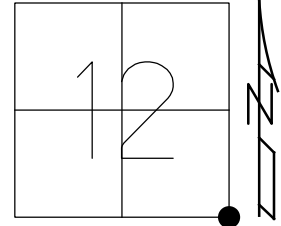
STATION: 529+33.72

HORZ.DATUM: NAD83(2011)

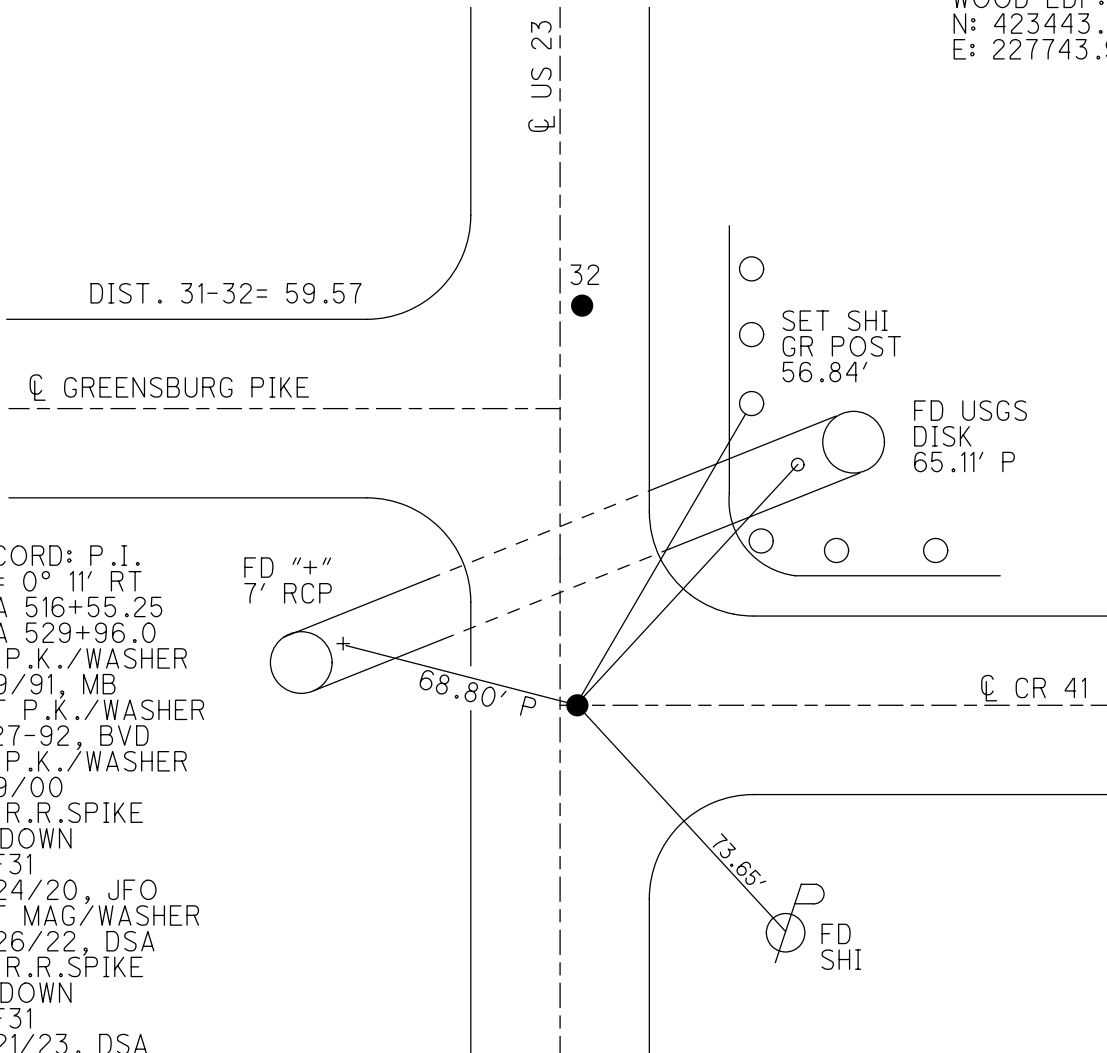
GEOID: NAVD88 2018

GRID: NORTHING: 600758.824

EASTING: 1716281.404



WOOD LDP:  
 N: 423443.878  
 E: 227743.975



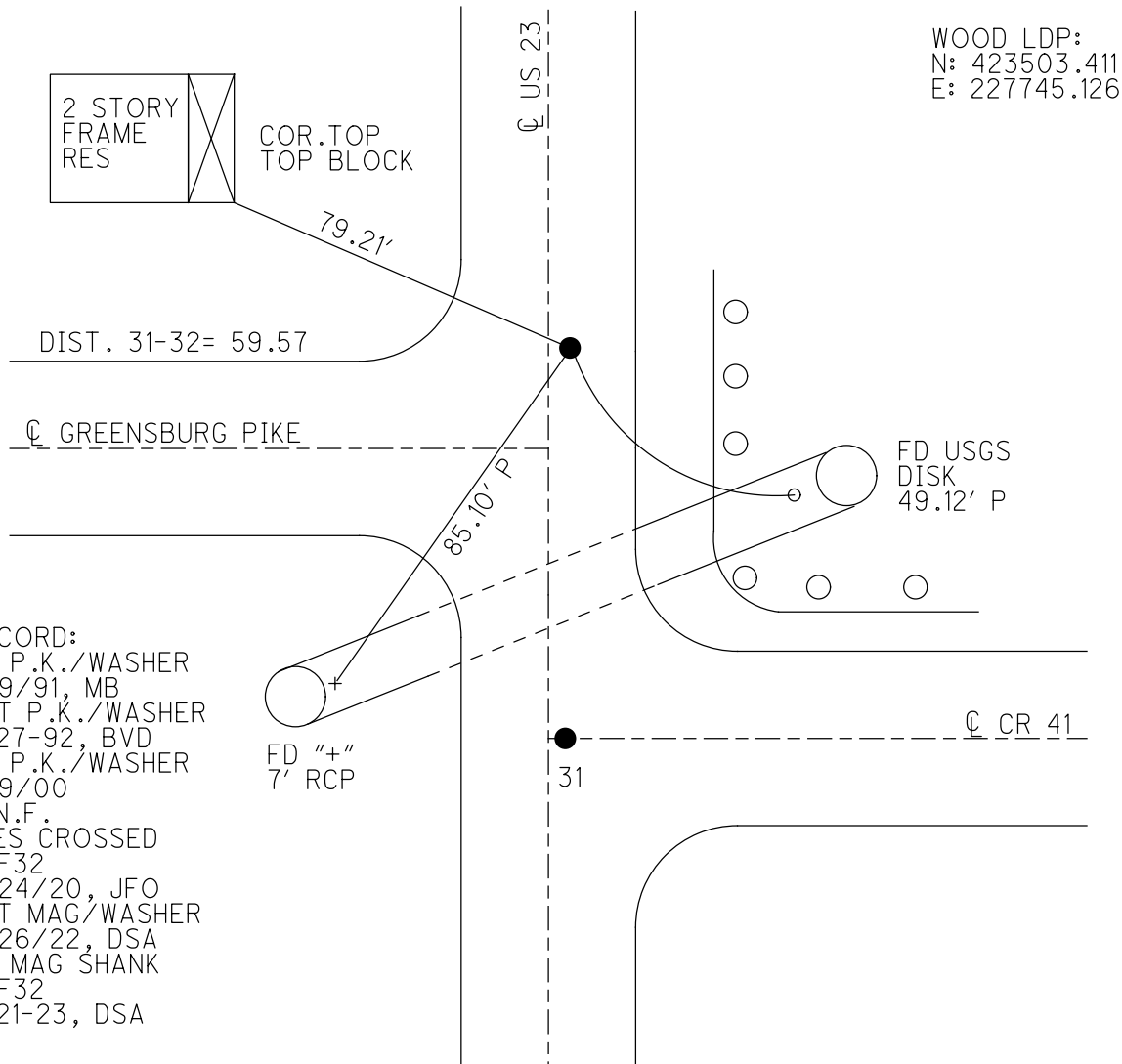
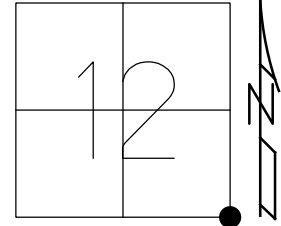
RECORD: P.I.  
 $\Delta = 0^\circ 11' RT$   
 STA 516+55.25  
 STA 529+96.0  
 FD P.K./WASHER  
 8/9/91, MB  
 SET P.K./WASHER  
 4-27-92, BVD  
 FD P.K./WASHER  
 5/9/00  
 FD R.R.SPIKE  
 4" DOWN  
 REF31  
 3/24/20, JFO  
 SET MAG/WASHER  
 9/26/22, DSA  
 FD R.R.SPIKE  
 4" DOWN  
 REF31  
 6/21/23, DSA

O.D.O.T. DISTRICT 2 SURVEY OFFICE (USE ONLY)

PERSONNEL \_\_\_\_\_ REFERENCE NO. 32 SHEET 40 OF 46  
 NOTES RHOADES DATE 8/9/91 ROUTE US 23  
 H.C. O'DONNELL WEATHER CLOUDY COUNTY WOOD  
 R.C. KETNER TEMP. 70° TOWNSHIP MONTGOMERY  
AUBLE SECTION 12  
 DWG BY RHOADES PID R/W T 4 N R 12 E

TYPE MONUMENT MAG SHANK  
 ON SURFACE - ~~BELOW~~ ON  
 OFFSET 11.0' TO RT EDGE PAVEMENT  
 STATION: 529+93.29

HORZ. DATUM: NAD83(2011) GEOID: NAVD88 2018  
 GRID: NORTHING: 600818.331 EASTING: 1716283.340



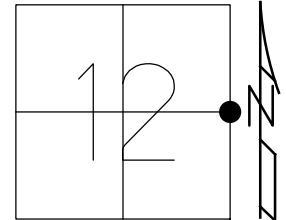
RECORD:  
 FD P.K./WASHER  
 8/9/91, MB  
 SET P.K./WASHER  
 4-27-92, BVD  
 FD P.K./WASHER  
 5/9/00  
 D.N.F.  
 TIES CROSSED  
 REF32  
 3/24/20, JFO  
 SET MAG/WASHER  
 9/26/22, DSA  
 FD MAG SHANK  
 REF32  
 6-21-23, DSA



O.D.O.T. DISTRICT 2 SURVEY OFFICE (USE ONLY)

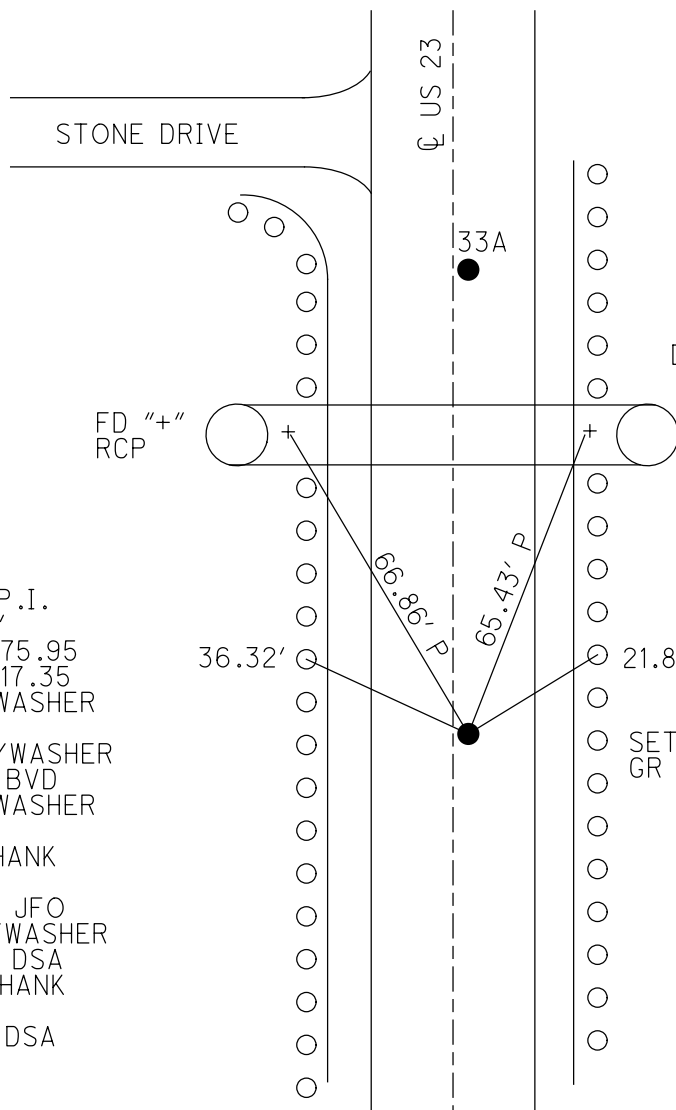
PERSONNEL \_\_\_\_\_ REFERENCE NO. 33 SHEET 41 OF 46  
 NOTES RHOADES DATE 4/20/22 ROUTE US 23  
 H.C. O'DONNELL WEATHER SUNNY COUNTY WOOD  
 R.C. KETNER TEMP. 50° TOWNSHIP MONTGOMERY  
AUBLE SECTION 12  
 DWG BY RHOADES PID R/W T 4 N R 12 E

TYPE MONUMENT MAG SHANK  
 ON SURFACE - ~~BELOW~~ ON  
 OFFSET  $\varnothing$  PAVEMENT 0.7' ~~RT~~ : RT  
10.8' TO RT EDGE PAVEMENT  
 STATION: 556+14.37



HORIZ.DATUM: NAD83(2011) GEOID: NAVD88 2018  
 GRID: NORTHING: 603438.006 EASTING: 1716373.457

BRADNER  
PRESERVE  
PARK



WOOD LDP:  
N: 426124.260  
E: 227800.663

RECORD: P.I.  
 $\Delta = 0^{\circ}00'$   
 STA. 542+75.95  
 STA. 556+17.35  
 FD P.K./WASHER  
 8/9/91  
 SET P.K./WASHER  
 4-27-92, BVD  
 FD P.K./WASHER  
 5/9/00  
 FD P.K.SHANK  
 REF33  
 3/24/20, JFO  
 SET MAG/WASHER  
 9/26/22, DSA  
 FD MAG SHANK  
 REF33  
 6/21/23, DSA

O.D.O.T. DISTRICT 2 SURVEY OFFICE (USE ONLY)

PERSONNEL

REFERENCE NO. 33 A

SHEET 42 OF 46

NOTES BARNHISEL

DATE 8/9/91

ROUTE US 23

H.C. VAN DUSEN

WEATHER CLOUDY

COUNTY WOOD

R.C. KETNER

TEMP. 65°

TOWNSHIP MONTGOMERY

AUBLE

SECTION 12

DWG BY AUBLE

PID R/W

T 4 N R 12 E

TYPE MONUMENT P.K./WASHER

~~ON SURFACE~~ - BELOW 3"

OFFSET  $\varnothing$  PAVEMENT 0.7' ~~RT~~ : RT

10.8' TO RT EDGE PAVEMENT

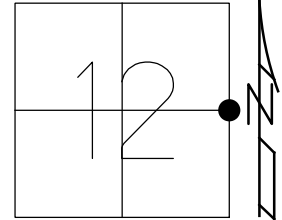
STATION: 557+15.12

HORIZ.DATUM: NAD83(2011)

GEOID: NAVD88 2018

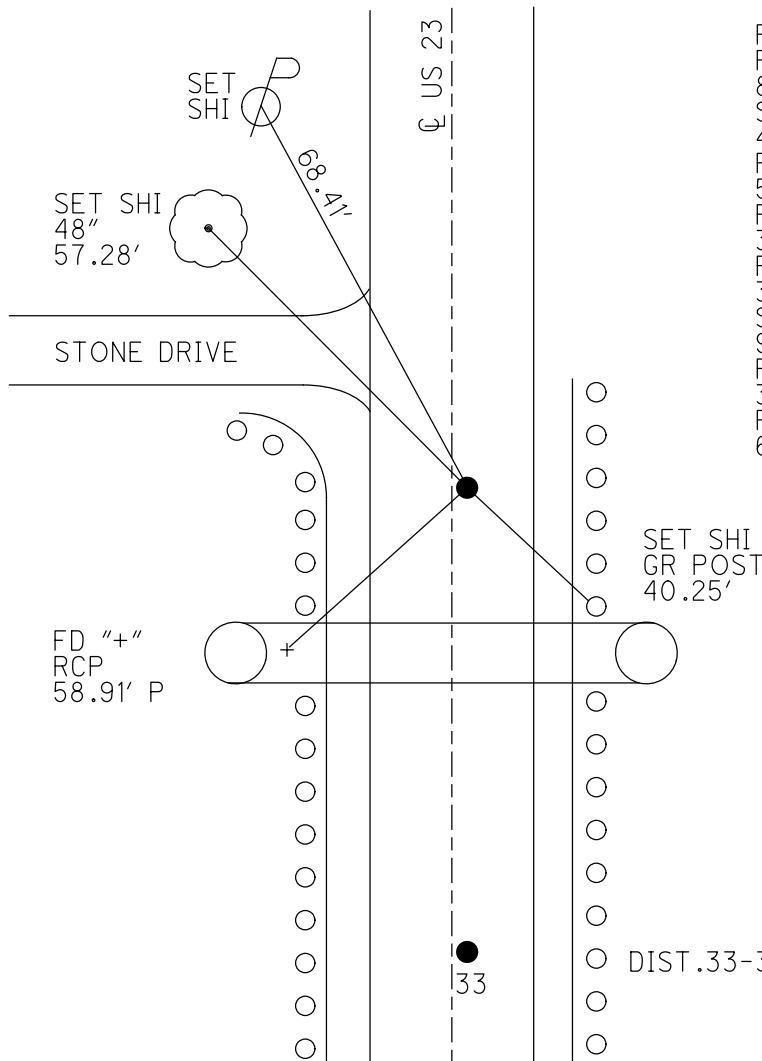
GRID: NORTHING: 603538.649

EASTING: 1716376.846



WOOD LDP:  
N: 426224.947  
E: 227802.724

BRADNER  
PRESERVE  
PARK



RECORD:  
FD P.K./WASHER  
8/9/91, MB  
SET P.K./WASHER  
4-27-92, BVD  
FD P.K./WASHER  
5/9/00  
FD P.K./WASHER  
3 1/2" DOWN  
REFA33  
3/24/20, JFO  
SET MAG/WASHER  
9/26/22, DSA  
FD P.K./WASHER  
3" DOWN  
REFA33  
6/21/23, DSA

DIST.33-33A= 100.65'

33

O.D.O.T. DISTRICT 2 SURVEY OFFICE (USE ONLY)

PERSONNEL

REFERENCE NO. 34

SHEET 43 OF 46

NOTES RHOADES

DATE 4/20/22

ROUTE US 23

H.C. O'DONNELL

WEATHER SUNNY

COUNTY WOOD

R.C. KETNER

TEMP. 50°

TOWNSHIP MONTGOMERY

AUBLE

SECTION 12

DWG BY RHOADES

PID R/W

T 4 N R 12 E

TYPE MONUMENT MAG NAIL

ON SURFACE - ~~BELOW~~ ON

OFFSET  $\bar{C}$  PAVEMENT 1.0' ~~LT~~ : RT

11.8' TO RT EDGE PAVEMENT

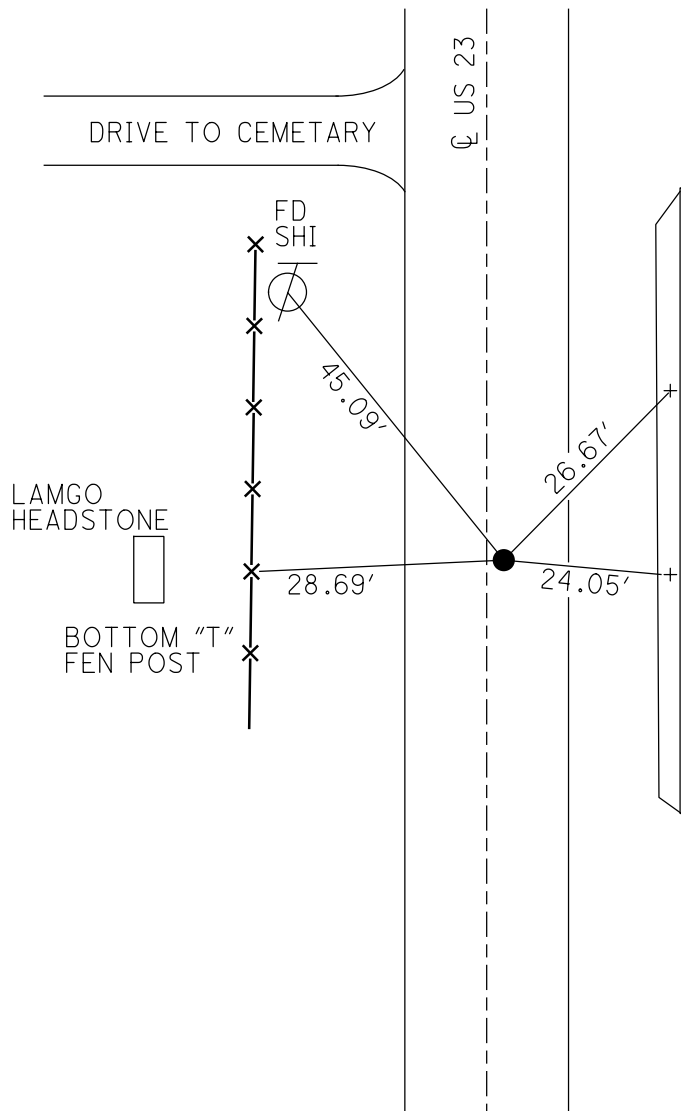
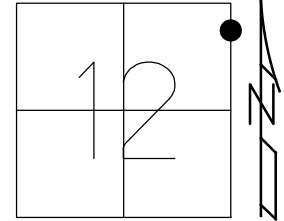
STATION: 579+10.88

HORZ.DATUM: NAD83(2011)

GEOID: NAVD88 2018

GRID: NORTHING: 605733.159

EASTING: 1716452.393



RECORD: POT  
 STA: 565+74.30  
 STA: 579+14.48  
 FD P.K./WASHER  
 8/9/91, MB  
 SET P.K./WASHER  
 4-15-92, BVD  
 FD P.K.NAIL  
 REF34  
 3/24/20, JFO  
 SET MAG/WASHER  
 9/26/22, DSA  
 FD MAG NAIL  
 REF34  
 6/21/23, DSA

CHISELED "+"  
 1' UP  
 METAL RETAINING  
 WALL

WOOD LDP:  
 N: 428420.439  
 E: 227849.303

O.D.O.T. DISTRICT 2 SURVEY OFFICE (USE ONLY)

PERSONNEL

REFERENCE NO. 35

SHEET 44 OF 46

NOTES RHOADES

DATE 8/9/91

ROUTE US 23

H.C. O'DONNELL

WEATHER CLOUDY

COUNTY WOOD

R.C. KETNER

TEMP. 65°

TOWNSHIP MONTGOMERY

AUBLE

DWG BY RHOADES

PID R/W

SECTION 1

T 4 N R 12 E

TYPE MONUMENT MAG/WASHER

ON SURFACE - ~~BELOW~~ ON

OFFSET  $\varnothing$  PAVEMENT 1.8' ~~LT~~ : RT

10.6' TO RT EDGE PAVEMENT

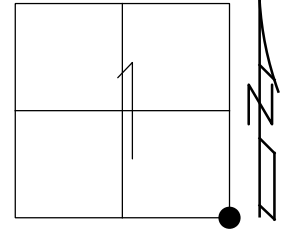
STATION: 583+30.24

HORZ.DATUM: NAD83(2011)

GEOID: NAVD88 2018

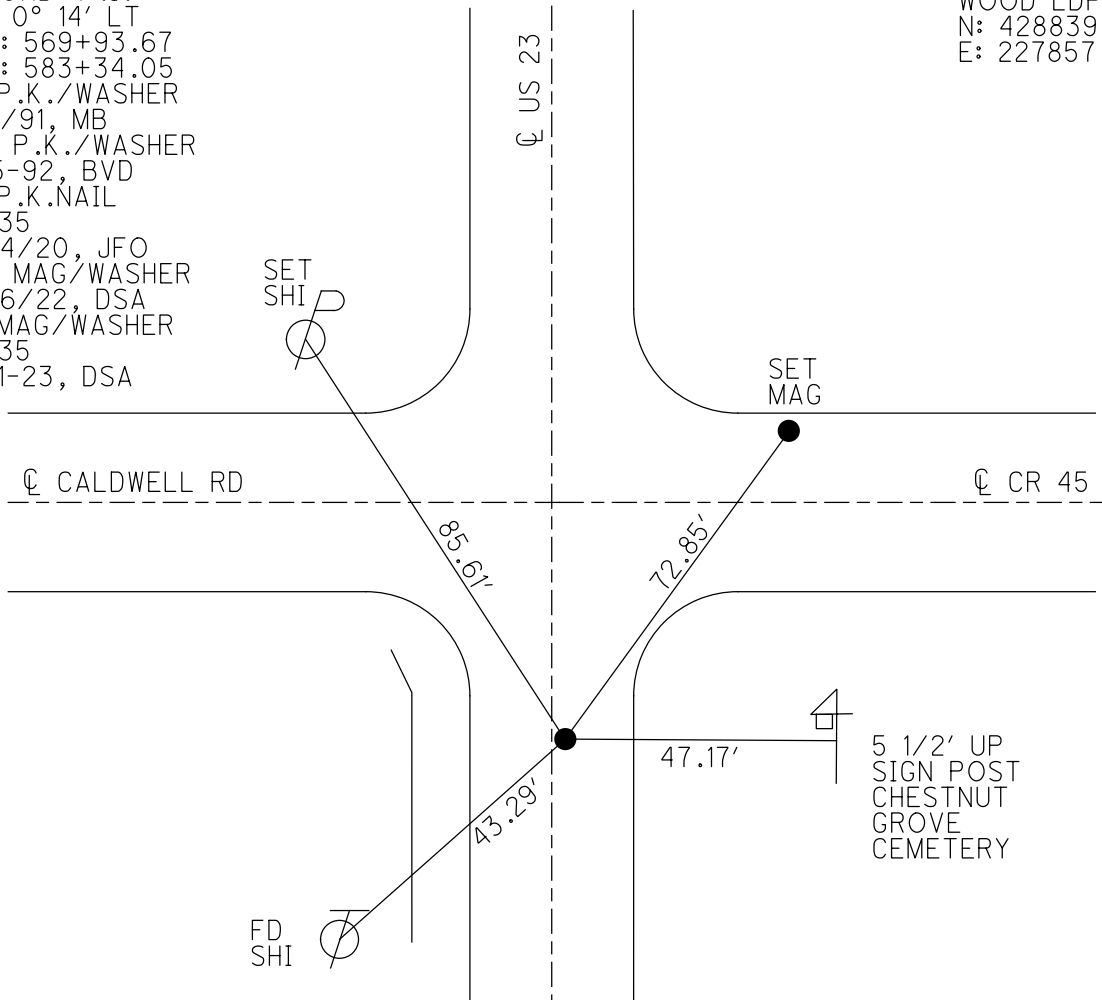
GRID: NORTHING: 606152.276

EASTING: 1716466.529



RECORD: P.I.  
 $\Delta = 0^\circ 14' LT$   
 STA: 569+93.67  
 STA: 583+34.05  
 FD P.K./WASHER  
 8/9/91, MB  
 SET P.K./WASHER  
 4-15-92, BVD  
 FD P.K.NAIL  
 REF35  
 3/24/20, JFO  
 SET MAG/WASHER  
 9/26/22, DSA  
 FD MAG/WASHER  
 REF35  
 6-21-23, DSA

WOOD LDP:  
 N: 428839.741  
 E: 227857.905







O.D.O.T. DISTRICT 2 SURVEY OFFICE (USE ONLY)

PERSONNEL

REFERENCE NO. 37

SHEET 1 OF 33

NOTES AUBLE DATE 7/31/23  
 H.C. AUBLE WEATHER FAIR  
 R.C. RHOADES TEMP. 75°  
ASTON

ROUTE US 23  
 COUNTY WOOD  
 TOWNSHIP FREEDOM  
 SECTION 36

DWG BY RHOADES PID R/W

T 5 N R 13 E

TYPE MONUMENT MONBOX W/ 1" IPIN

ON SURFACE - ~~BELOW~~ ON

OFFSET ☉ PAVEMENT ON LT : RT  
- TO - EDGE PAVEMENT

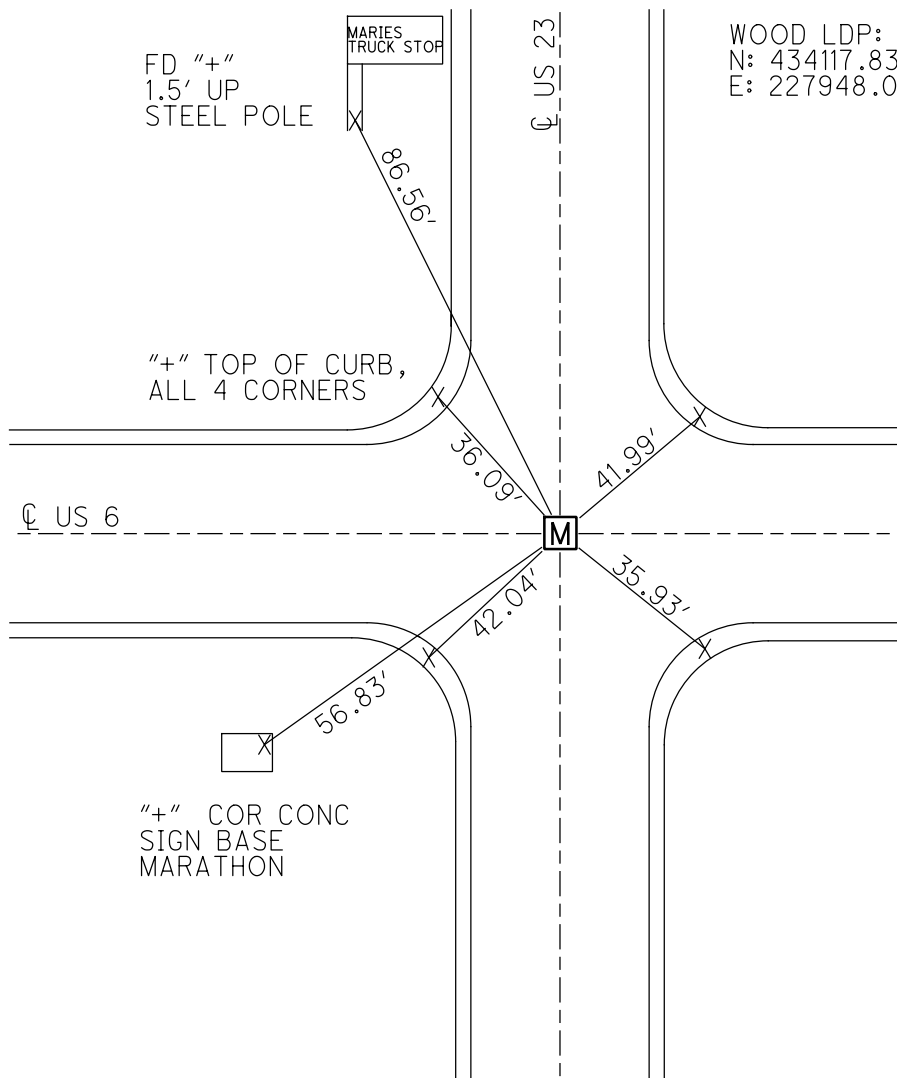
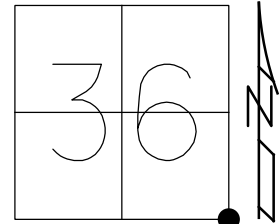
STATION: 636+13.40

HORZ.DATUM: NAD83(2011)

GEOID: NAVD88 2018

GRID: NORTHING: 611428.370

EASTING: 1716626.270



WOOD LDP:  
 N: 434117.838  
 E: 227948.000

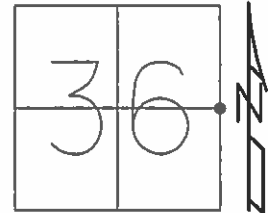
RECORD: P.I.  
 Δ=00°16' LT (PLAN)  
 FD RUSTED PK NAIL  
 12/18/80  
 FD R.R.SPIKE  
 4.5" DOWN  
 7/30/81, CL  
 SET SM.R.R.SPIKE  
 9/27/83, CL  
 FD MONBOX  
 W/1" IPIN  
 REF37  
 11/29/12, SHH  
 NEWREF37  
 4/22/14  
 FD MONBOX  
 W/1" IPIN  
 10/17/16, JLL  
 FD MONBOX  
 W/ 1" IPIN  
 REF37  
 7-31-23, DSA

NOTE: SAN REF 1 US 6

**O.D.O.T. DISTRICT 2 SURVEY OFFICE (USE ONLY)**

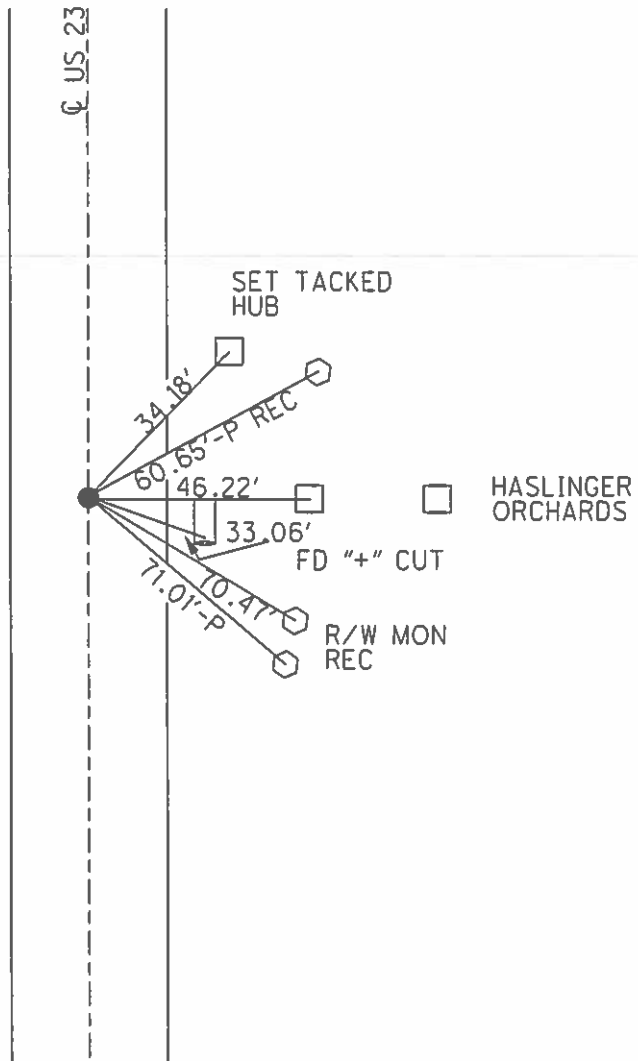
PERSONNEL	REFERENCE NO.	38	SHEET	3	OF	22
NOTES	RHOADES	DATE	4-21-14	ROUTE	US 23	
H.C.	ROUSOS	WEATHER	CLOUDY	COUNTY	WOOD	
R.C.	GABLE	TEMP.	62°	TOWNSHIP	FREEDOM	
	HOMAN			SECTION	36	
				T	5	N
				R	12	E

TYPE MONUMENT \_\_\_\_\_ PK/SAH \_\_\_\_\_  
~~ON SURFACE~~ - BELOW \_\_\_\_\_ 3" \_\_\_\_\_  
~~LEFT~~ -   C   PAV'T - ~~RIGHT~~ \_\_\_\_\_ ON \_\_\_\_\_  
12.6 TO RT EDGE PAVEMENT  
 S.L.M. \_\_\_\_\_ 662+55.29 \_\_\_\_\_



Grid: Northing: 614069.310 Easting: 1716692.958

POT 662+54.96 RECORD  
 $\Delta=0^{\circ}-0'-0''$   
 SET PK & WASHER  
 9-9-91, MB  
 FD, GPS SHOT REF38  
 11-30-12, SHH  
 NEWREF38  
 FD MONBOX W/ 3/4"  
 IPIN  
 10-17-16, JLL



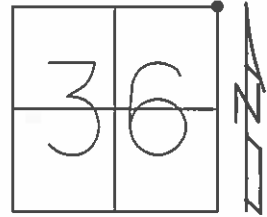




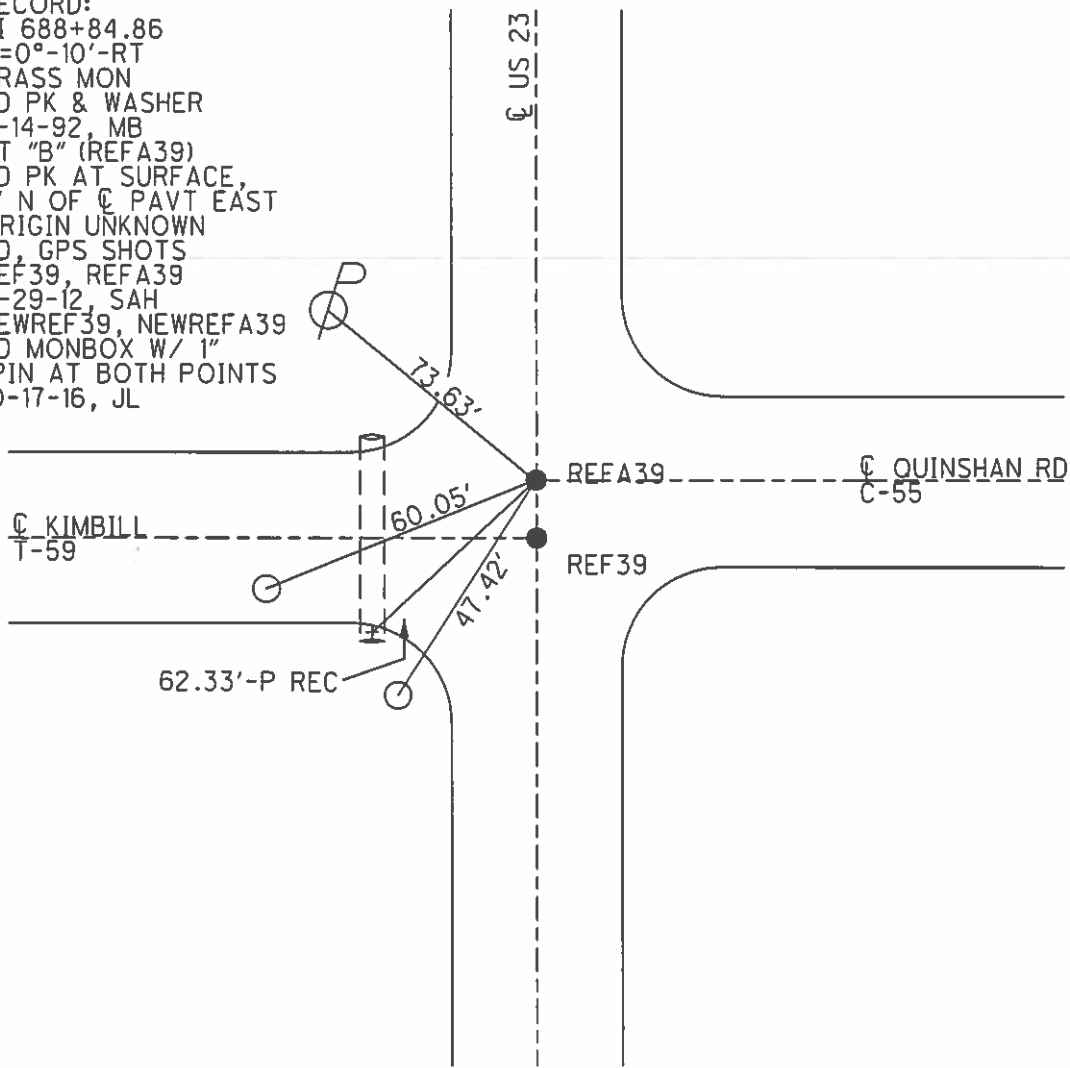
O.D.O.T. DISTRICT 2 SURVEY OFFICE (USE ONLY)

PERSONNEL \_\_\_\_\_ REFERENCE NO. 39A SHEET 5 OF 22  
 NOTES RHOADES DATE 4-21-14 ROUTE US 23  
 H.C. ROUSOS WEATHER CLOUDY COUNTY WOOD  
 R.C. GABLE TEMP. 62° TOWNSHIP FREEDOM  
 \_\_\_\_\_ HOMAN \_\_\_\_\_ SECTION 36  
 \_\_\_\_\_ T 5 N R 12 E

TYPE MONUMENT \_\_\_\_\_ PK NAIL \_\_\_\_\_  
 ON SURFACE - ~~BELOW~~ \_\_\_\_\_ ON \_\_\_\_\_  
~~LEFT~~ - ☉ PAV'T - ~~RIGHT~~ \_\_\_\_\_ ON \_\_\_\_\_  
12.6 TO RT EDGE PAVEMENT  
 S.L.M. \_\_\_\_\_ 688+94.62  
 Grid: Northing: 616707.789 Easting: 1716759.726



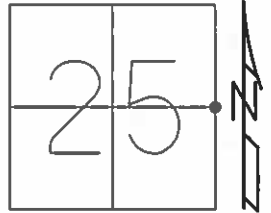
RECORD:  
 PI 688+84.86  
 $\Delta=0^{\circ}-10'-RT$   
 BRASS MON  
 FD PK & WASHER  
 4-14-92, MB  
 PT "B" (REFA39)  
 FD PK AT SURFACE,  
 3' N OF ☉ PAVT EAST  
 ORIGIN UNKNOWN  
 FD, GPS SHOTS  
 REF39, REFA39  
 11-29-12, SAH  
 NEWREF39, NEWREFA39  
 FD MONBOX W/ 1"  
 IPIN AT BOTH POINTS  
 10-17-16, JL



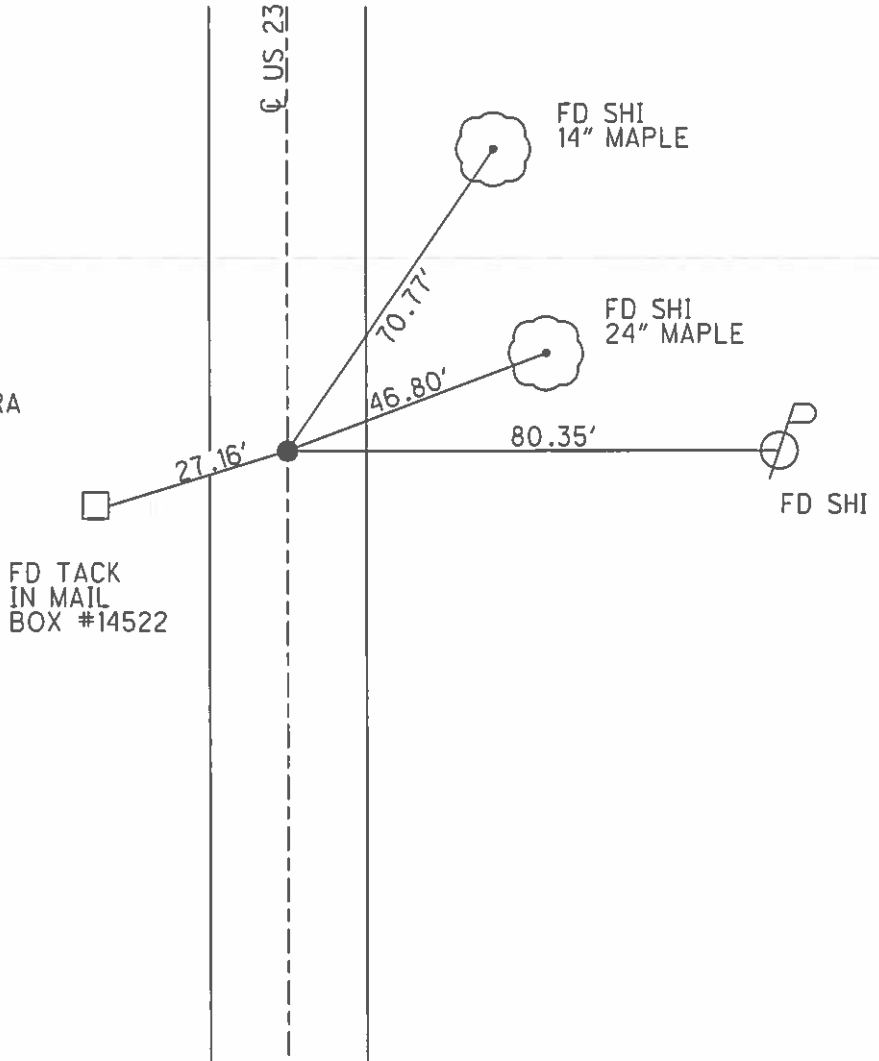
O.D.O.T. DISTRICT 2 SURVEY OFFICE (USE ONLY)

PERSONNEL	REFERENCE NO.	<u>40</u>	SHEET	<u>6</u>	OF	<u>22</u>
NOTES	<u>RHOADES</u>	DATE	<u>4-21-14</u>	ROUTE	<u>US 23</u>	
H.C.	<u>ROUSOS</u>	WEATHER	<u>CLOUDY</u>	COUNTY	<u>WOOD</u>	
R.C.	<u>GABLE</u>	TEMP.	<u>62°</u>	TOWNSHIP	<u>FREEDOM</u>	
	<u>HOMAN</u>			SECTION	<u>25</u>	
				T	<u>5</u>	R
					<u>N</u>	<u>12</u>
					<u>E</u>	

TYPE MONUMENT CNPT  
~~ON SURFACE~~ - BELOW 3" DOWN  
~~LEFT - C~~ PAV'T - ~~RIGHT~~ ON  
12 TO W EDGE PAVEMENT  
 S.L.M. 715+24.20  
 Grid: Northing: 619336.325 Easting: 1716834.265



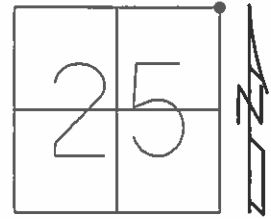
RECORD:  
 PI 715+23.40  
 $\Delta=0^{\circ}-03'$  LT  
 BRASS MON  
 SET PK & WASHER  
 4-14-92, MB  
 REF40  
 FD BRASS MON  
 BOX 3" DOWN  
 N-619336.338  
 E-1716834.238  
 EL-670.075  
 12/13/12, MC  
 NEWREF40  
 FD MON BOX W/ 2"  
 OD SHAFT OF MOBORA  
 MON (NO DISK)  
 10-17-16, JLL



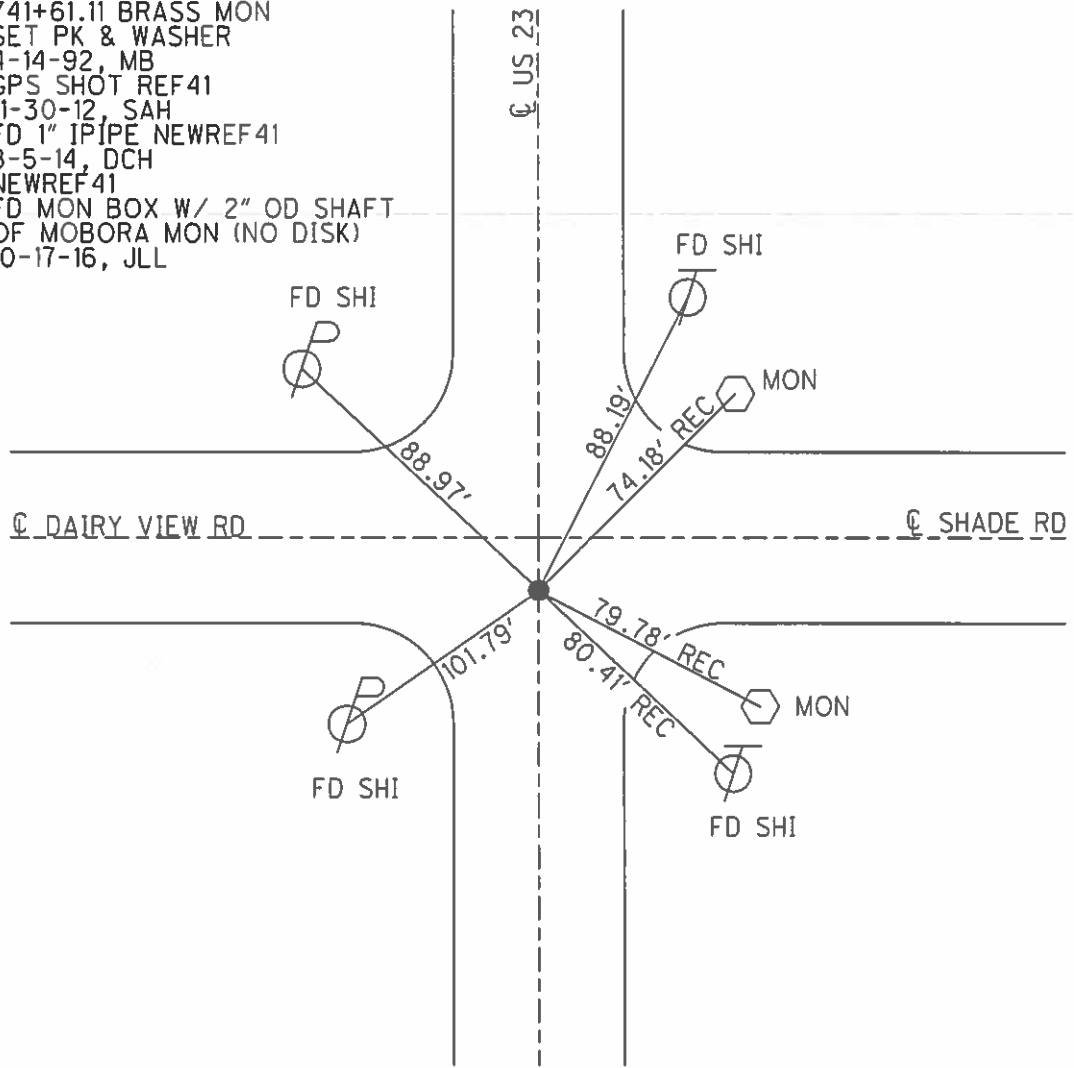
O.D.O.T. DISTRICT 2 SURVEY OFFICE (USE ONLY)

PERSONNEL	REFERENCE NO.	<u>41</u>	SHEET	<u>7</u>	OF	<u>22</u>
NOTES	<u>RHOADES</u>	DATE	<u>4-21-14</u>	ROUTE	<u>US 23</u>	
H.C.	<u>ROUSOS</u>	WEATHER	<u>CLOUDY</u>	COUNTY	<u>WOOD</u>	
R.C.	<u>GABLE</u>	TEMP.	<u>62°</u>	TOWNSHIP	<u>FREEDOM</u>	
	<u>HOMAN</u>			SECTION	<u>25</u>	
				T	<u>5</u>	R
				N		E

TYPE MONUMENT BRASS MON  
~~ON SURFACE~~ - BELOW 1.5"  
~~LEFT - C PAV'T - RIGHT~~ ON  
12.5 TO E EDGE PAVEMENT  
 S.L.M. 741+62.09  
 Grid: Northing: 621973.190 Easting: 1716906.371



RECORD:  
 PI Δ=0°-05'-00" LT  
 741+61.11 BRASS MON  
 SET PK & WASHER  
 4-14-92, MB  
 GPS SHOT REF41  
 11-30-12, SAH  
 FD 1" PIPE NEWREF41  
 8-5-14, DCH  
 NEWREF41  
 FD MON BOX W/ 2" OD SHAFT  
 OF MOBORA MON (NO DISK)  
 10-17-16, JLL

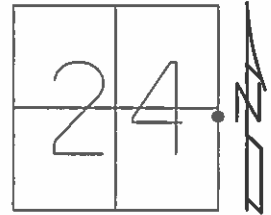




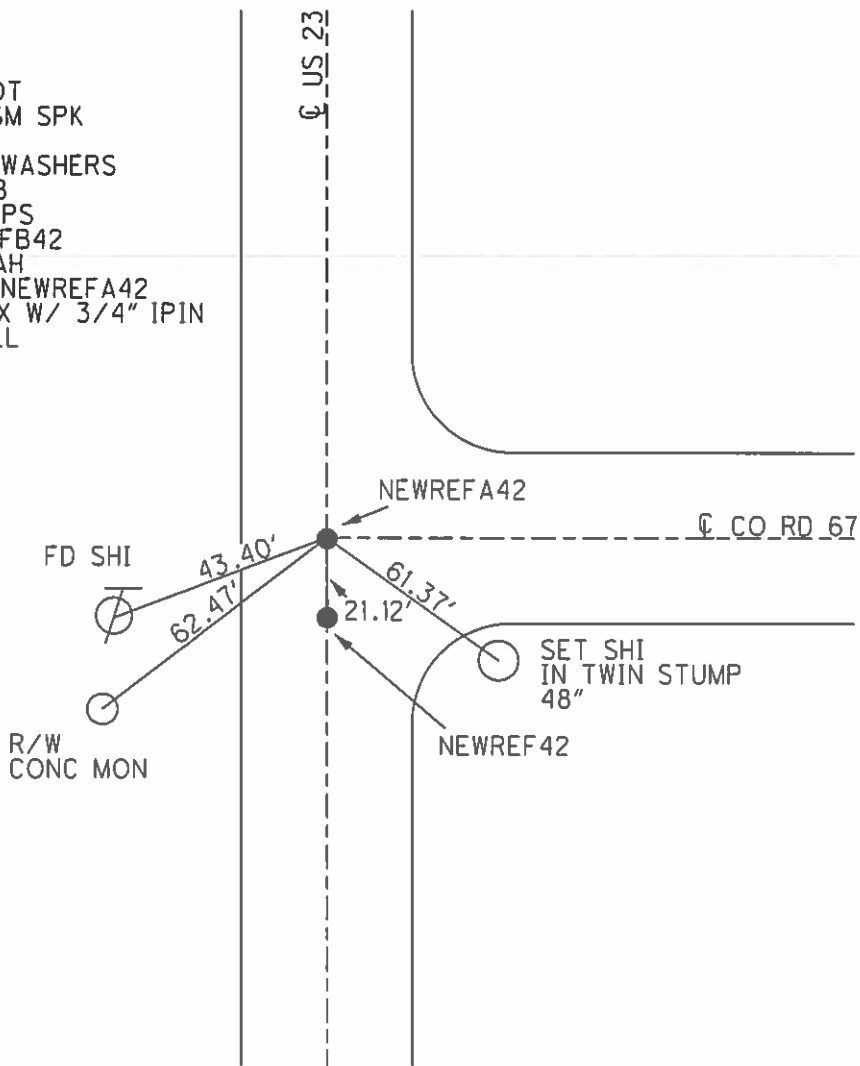
O.D.O.T. DISTRICT 2 SURVEY OFFICE (USE ONLY)

PERSONNEL	REFERENCE NO.	<u>42A</u>	SHEET	<u>10</u>	OF	<u>22</u>
NOTES	<u>RHOADES</u>	DATE	<u>4-21-14</u>	ROUTE	<u>US 23</u>	
H.C.	<u>ROUSOS</u>	WEATHER	<u>CLOUDY</u>	COUNTY	<u>WOOD</u>	
R.C.	<u>GABLE</u>	TEMP.	<u>62°</u>	TOWNSHIP	<u>FREEDOM</u>	
	<u>HOMAN</u>			SECTION	<u>24</u>	
				T	<u>5</u>	R
					<u>N</u>	
						<u>E</u>

TYPE MONUMENT \_\_\_\_\_ PK/W \_\_\_\_\_  
 ON SURFACE - ~~BELOW~~ \_\_\_\_\_ ON \_\_\_\_\_  
~~LEFT~~ - Q PAV'T - ~~RIGHT~~ \_\_\_\_\_ ON \_\_\_\_\_  
11.9 TO LT EDGE PAVEMENT  
 S.L.M. \_\_\_\_\_ 760+17.47  
 Grid: Northing: 624627.717 Easting: 1716974.941



RECORD: POT  
 SHANK OF SM SPK  
 767+95.44  
 SET PKS & WASHERS  
 4-14-93, MB  
 FD, SHOT GPS  
 REFA42, REFB42  
 11-30-12, SAH  
 NEWREF42, NEWREFA42  
 FD MON BOX W/ 3/4" IPIN  
 10-17-16, JLL





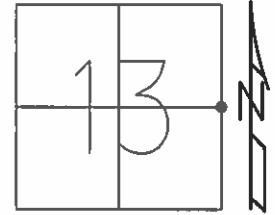




O.D.O.T. DISTRICT 2 SURVEY OFFICE (USE ONLY)

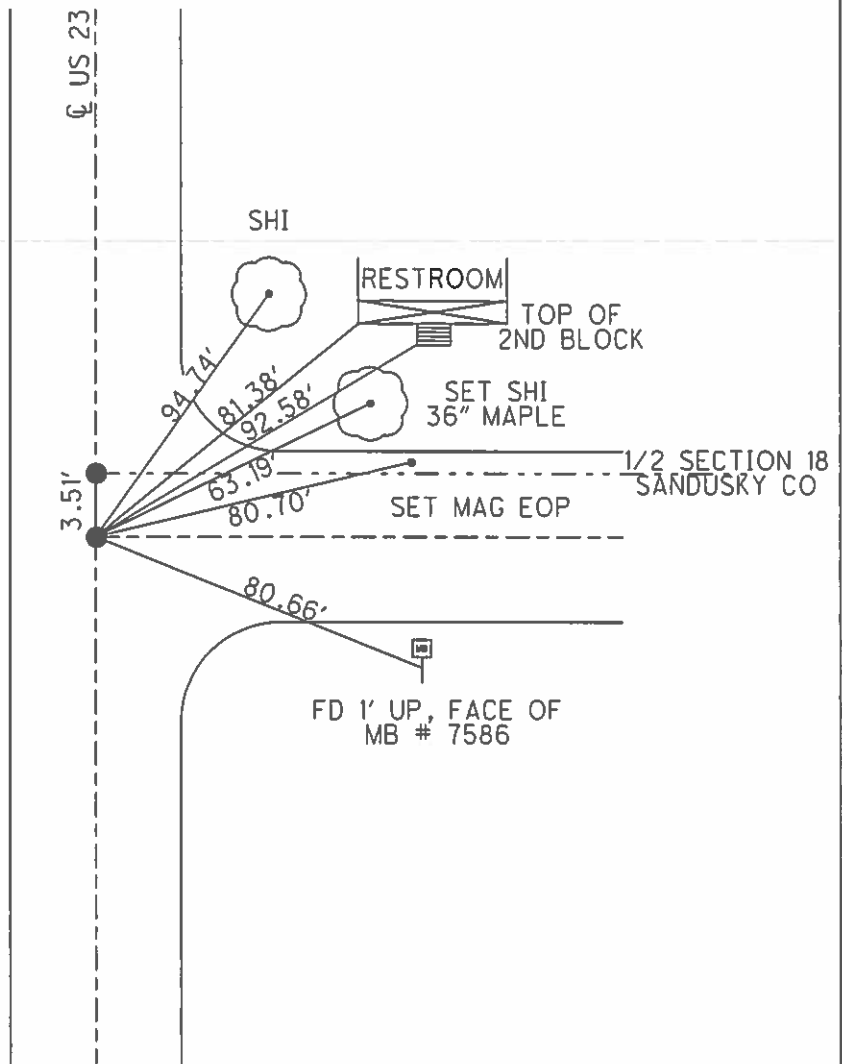
PERSONNEL	REFERENCE NO.	44A	SHEET	13	OF	22
NOTES	RHOADES	DATE	4-21-14	ROUTE	US 23	
H.C.	ROUSOS	WEATHER	CLOUDY	COUNTY	WOOD	
R.C.	GABLE	TEMP.	74°	TOWNSHIP	FREEDOM	
	HOMAN			SECTION	13	
				T	5	N
				R	12	E

TYPE MONUMENT BRASS MON  
~~ON SURFACE~~ - BELOW 4"  
~~LEFT~~ - Q PAV'T - ~~RIGHT~~ ON  
11.2 TO W EDGE PAVEMENT  
 S.L.M. 820+73.99



Grid: Northing: 629882.421 Easting: 1717111.810

RECORD: PI  
 820+73  
 Δ=0°-01' RT  
 BRASS MON  
 SET PKS & WASHERS  
 4-14-92, MB  
 POINT "B" (NEWREFB44)  
 FD SPK AT SURFACE  
 (ORIGIN UNKNOWN)  
 GPS SHOTS REFA44,  
 REFB44, FD  
 11-30-12, SAH  
 NEWREFA44  
 FD MON BOX W/  
 STONE USED HIGH POINT  
 NEWREFB44  
 FD MAG NAIL

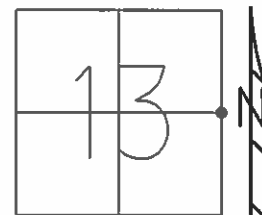


FD 1' UP, FACE OF  
 MB # 7586

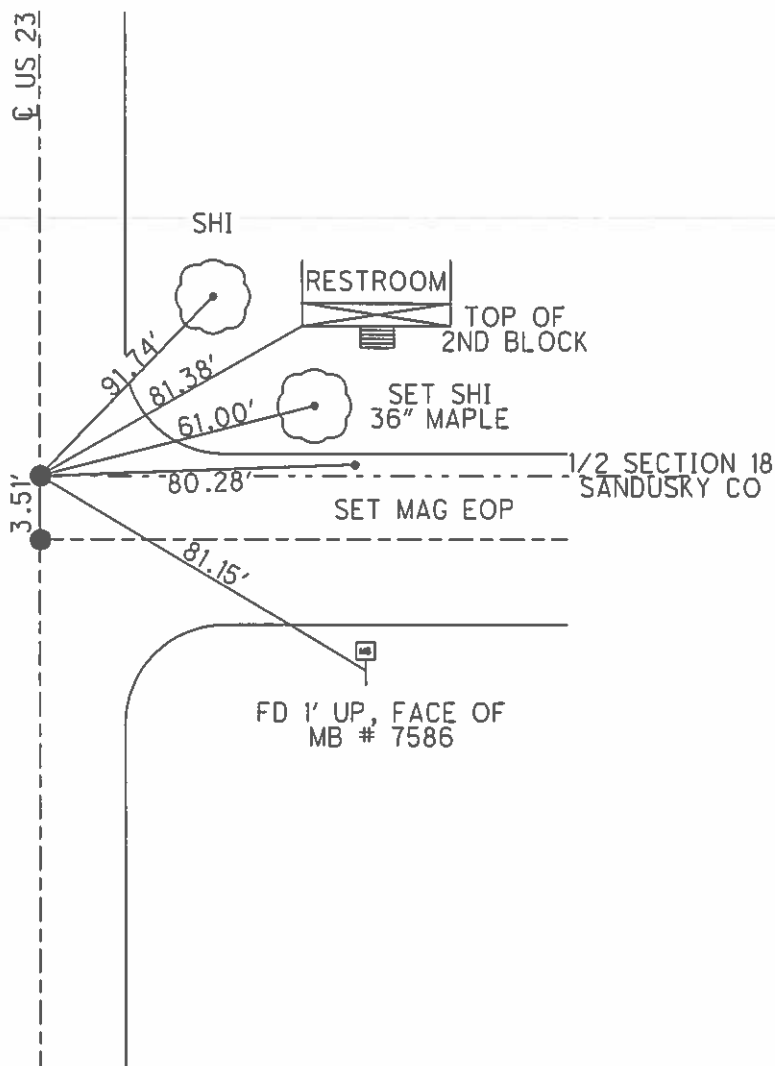
O.D.O.T. DISTRICT 2 SURVEY OFFICE (USE ONLY)

PERSONNEL \_\_\_\_\_ REFERENCE NO. 44B SHEET 14 OF 22  
 NOTES RHOADES DATE 4-21-14 ROUTE US 23  
 H.C. ROUSOS WEATHER CLOUDY COUNTY WOOD  
 R.C. GABLE TEMP. 74° TOWNSHIP FREEDOM  
 \_\_\_\_\_ HOMAN \_\_\_\_\_ SECTION 13  
 T 5 N R 12 E

TYPE MONUMENT \_\_\_\_\_ RRSPK \_\_\_\_\_  
~~ON SURFACE~~ - BELOW \_\_\_\_\_ 2" \_\_\_\_\_  
~~LEFT~~ - Q PAV'T - ~~RIGHT~~ \_\_\_\_\_ ON \_\_\_\_\_  
11.2 TO W EDGE PAVEMENT  
 S.L.M. \_\_\_\_\_ 820+77.51 \_\_\_\_\_  
 Grid: Northing: 629885.936 Easting: 1717111.906



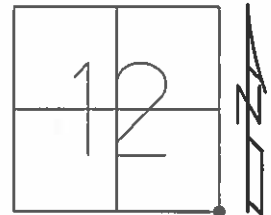
RECORD: PI  
 820+73  
 $\Delta=0^{\circ}-01'$  RT  
 BRASS MON  
 SET PKS & WASHERS  
 4-14-92, MB  
 POINT "B" (NEWREFB44)  
 FD SPK AT SURFACE  
 (ORIGIN UNKNOWN)  
 GPS SHOTS REFA44,  
 REFB44, FD  
 11-30-12, SAH  
 NEWREFA44  
 FD MON BOX W/  
 STONE USED HIGH POINT  
 NEWREFB44  
 FD MAG NAIL



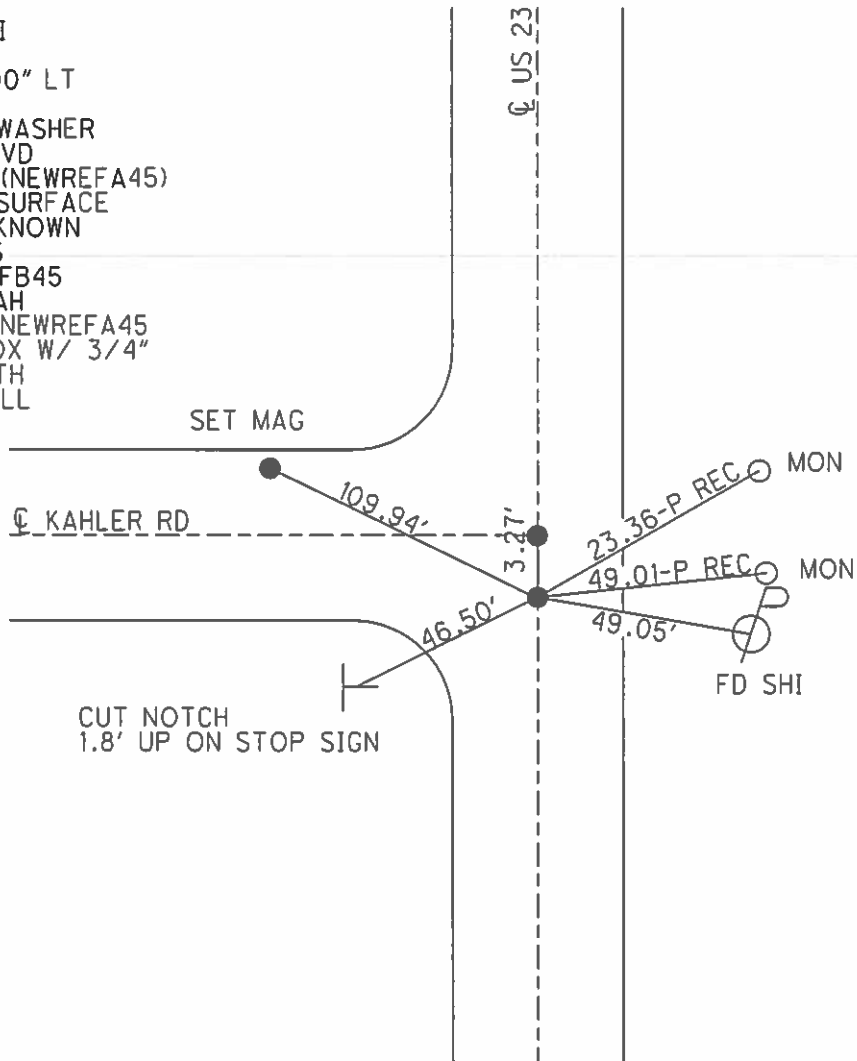
O.D.O.T. DISTRICT 2 SURVEY OFFICE (USE ONLY)

PERSONNEL	REFERENCE NO.	45	SHEET	15	OF	22
NOTES	RHOADES	DATE	4-21-14	ROUTE	US 23	
H.C.	ROUSOS	WEATHER	CLOUDY	COUNTY	WOOD	
R.C.	GABLE	TEMP.	74°	TOWNSHIP	FREEDOM	
	HOMAN			SECTION	12	
				T	5	N
				R	12	E

TYPE MONUMENT RSPK  
~~ON SURFACE~~ - BELOW 1"  
~~LEFT~~ - C PAV'T - ~~RIGHT~~ ON  
12.3 TO E EDGE PAVEMENT  
 S.L.M. 847+06.84  
 Grid: Northing: 632514.394 Easting: 1717182.123



RECORD: PI  
 847+09.43  
 $\Delta=0^{\circ}-14'-00''$  LT  
 RR SPK  
 SET PK & WASHER  
 4-15-92, BVD  
 POINT "B" (NEWREFA45)  
 FD PK AT SURFACE  
 ORIGIN UNKNOWN  
 GPS SHOTS  
 REFA45 REFB45  
 12-3-12, SAH  
 NEWREF45 NEWREFA45  
 FD MON BOX W/ 3/4"  
 IPIN @ BOTH  
 10-17-16, JLL



O.D.O.T. DISTRICT 2 SURVEY OFFICE (USE ONLY)

PERSONNEL	REFERENCE NO.	<u>45A</u>	SHEET	<u>16</u>	OF	<u>22</u>
NOTES	<u>RHOADES</u>	DATE	<u>4-21-14</u>	ROUTE	<u>US 23</u>	
H.C.	<u>ROUSOS</u>	WEATHER	<u>CLOUDY</u>	COUNTY	<u>WOOD</u>	
R.C.	<u>GABLE</u>	TEMP.	<u>74°</u>	TOWNSHIP	<u>FREEDOM</u>	
	<u>HOMAN</u>			SECTION	<u>12</u>	
				T	<u>5</u>	N
				R	<u>12</u>	E

TYPE MONUMENT \_\_\_\_\_ RSPK \_\_\_\_\_

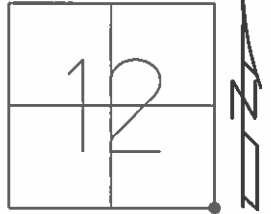
~~ON SURFACE~~ - BELOW \_\_\_\_\_ 4.5" \_\_\_\_\_

~~LEFT~~ - ☉ PAV'T - ~~RIGHT~~ \_\_\_\_\_ ON \_\_\_\_\_

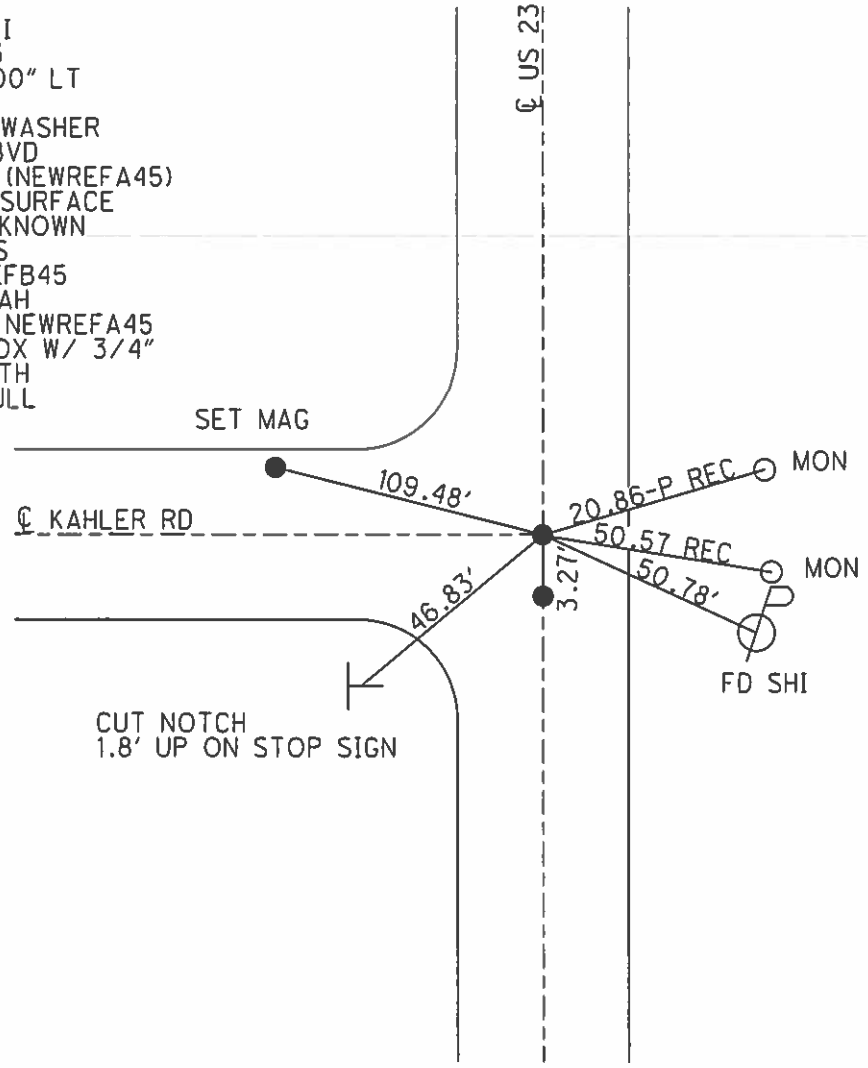
12.3 TO E EDGE PAVEMENT

S.L.M. \_\_\_\_\_ 847+10.23 \_\_\_\_\_

Grid: Northing: 632517.748 Easting: 1717182.182



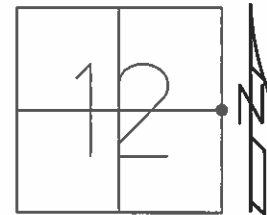
RECORD: PI  
 847+09.43  
 Δ=0°-14'-00" LT  
 RR SPK  
 SET PK & WASHER  
 4-15-92, BVD  
 POINT "B" (NEWREFA45)  
 FD PK AT SURFACE  
 ORIGIN UNKNOWN  
 GPS SHOTS  
 REFA45 REFB45  
 12-3-12, SAH  
 NEWREF45 NEWREFA45  
 FD MON BOX W/ 3/4"  
 IPIN @ BOTH  
 10-17-16, JLL



O.D.O.T. DISTRICT 2 SURVEY OFFICE (USE ONLY)

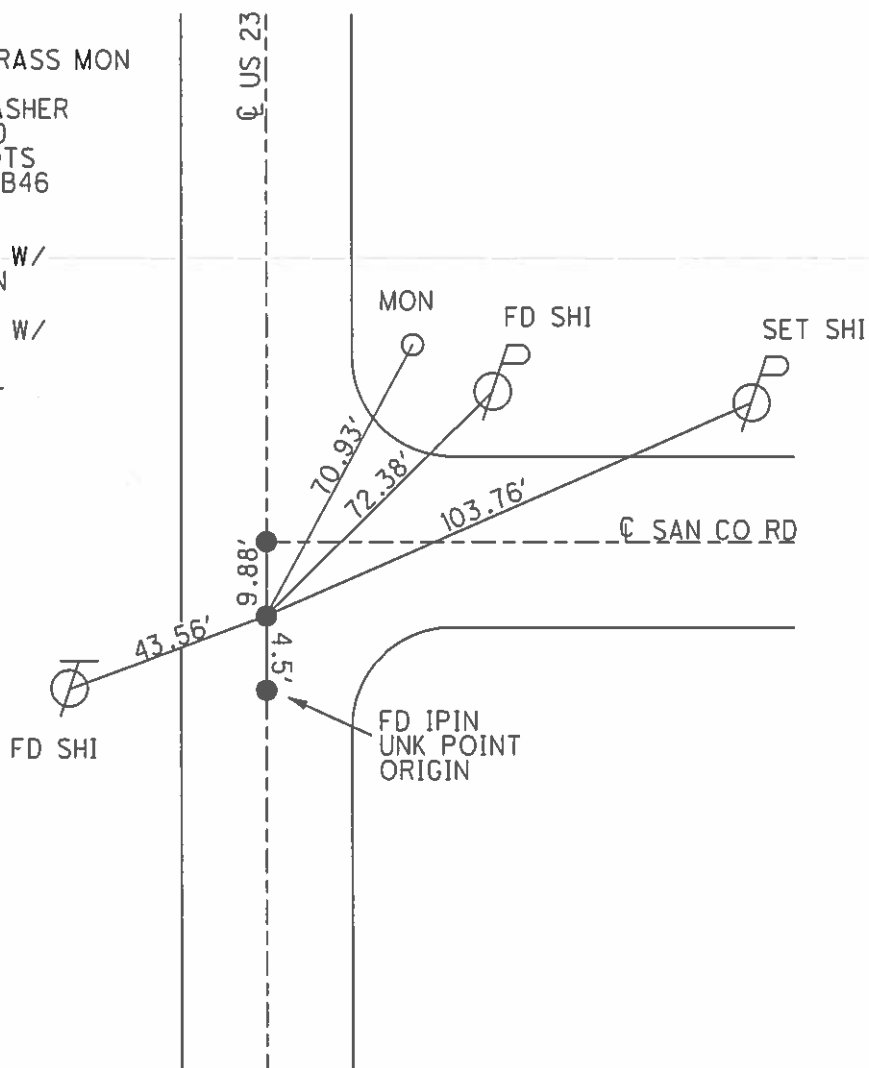
PERSONNEL	REFERENCE NO.	<u>46</u>	SHEET	<u>17</u>	OF	<u>22</u>
NOTES	<u>RHOADES</u>	DATE	<u>4-21-14</u>	ROUTE	<u>US 23</u>	
H.C.	<u>ROUSOS</u>	WEATHER	<u>CLOUDY</u>	COUNTY	<u>WOOD</u>	
R.C.	<u>GABLE</u>	TEMP.	<u>74°</u>	TOWNSHIP	<u>FREEDOM</u>	
	<u>HOMAN</u>			SECTION	<u>12</u>	
				T	<u>5</u>	R
				N		E

TYPE MONUMENT PK NAIL  
~~ON SURFACE~~ - BELOW 3"  
~~LEFT~~ - Q PAV'T - ~~RIGHT~~ ON  
11.8 TO W EDGE PAVEMENT  
 S.L.M. 873+47.03



Grid: Northing: 635153.809 Easting: 1717242.255

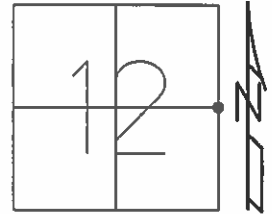
RECORD: P1  
 873+46.14 BRASS MON  
 $\Delta=0^{\circ}-11'$  RT  
 SET PK & WASHER  
 4-15-92, BVD  
 FD, GPS SHOTS  
 REFA46, REFB46  
 12-3-12, SAH  
 NEWREF46  
 FD MON BOX W/  
 MOBORA MON  
 NEWREFA46  
 FD MON BOX W/  
 3/4" IPIN  
 10-17-16, JLL



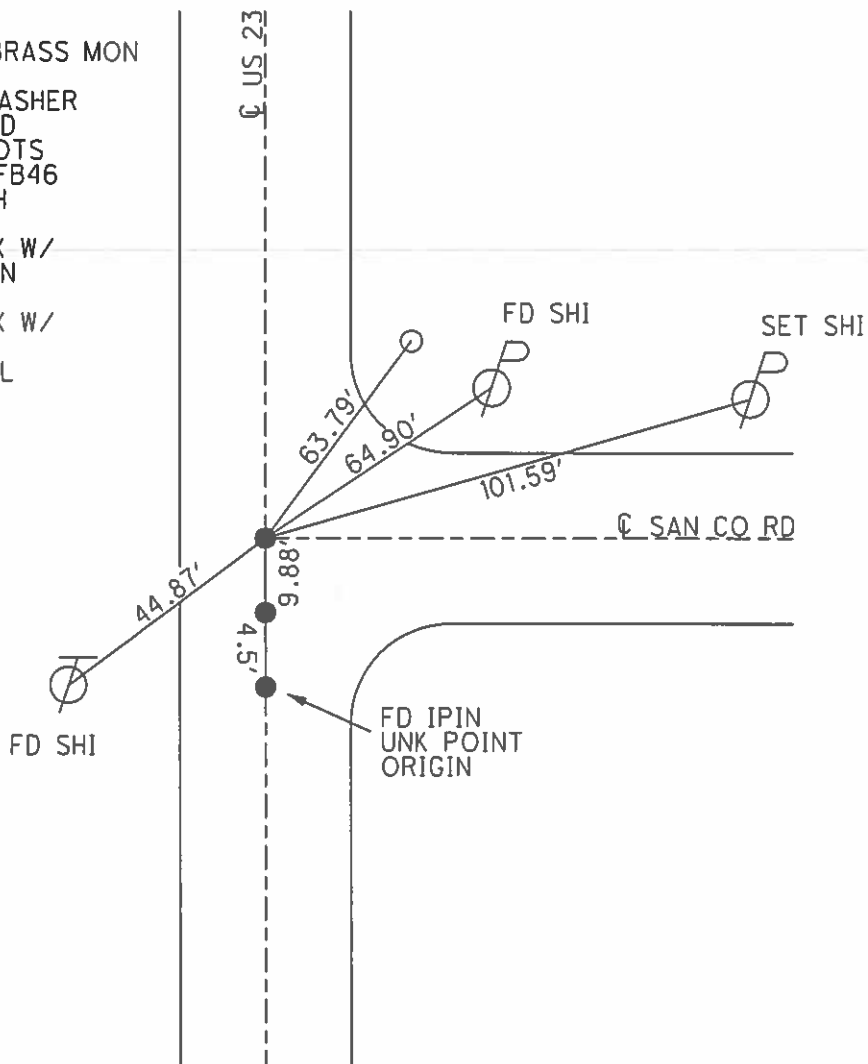
O.D.O.T. DISTRICT 2 SURVEY OFFICE (USE ONLY)

PERSONNEL	REFERENCE NO.	<u>46A</u>	SHEET	<u>18</u>	OF	<u>22</u>
NOTES	<u>RHOADES</u>	DATE	<u>4-21-14</u>	ROUTE	<u>US 23</u>	
H.C.	<u>ROUSOS</u>	WEATHER	<u>CLOUDY</u>	COUNTY	<u>WOOD</u>	
R.C.	<u>GABLE</u>	TEMP.	<u>74°</u>	TOWNSHIP	<u>FREEDOM</u>	
	<u>HOMAN</u>			SECTION	<u>12</u>	
				T	<u>5</u>	R
				N		E

TYPE MONUMENT PK NAIL  
~~ON SURFACE~~ - BELOW 2"  
~~LEFT - C~~ PAV'T - ~~RIGHT~~ ON  
11.8 TO W EDGE PAVEMENT  
 S.L.M. 873+56.87  
 Grid: Northing: 635163.847 Easting: 1717242.557



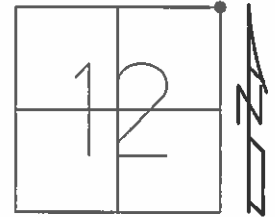
RECORD: PI  
 873+46.14 BRASS MON  
 $\Delta=0^{\circ}-11'$  RT  
 SET PK & WASHER  
 4-15-92, BVD  
 FD, GPS SHOTS  
 REFA46, REFB46  
 12-3-12, SAH  
 NEWREF46  
 FD MON BOX W/  
 MOBORA MON  
 NEWREFA46  
 FD MON BOX W/  
 3/4" IPIN  
 10-17-16, JLL



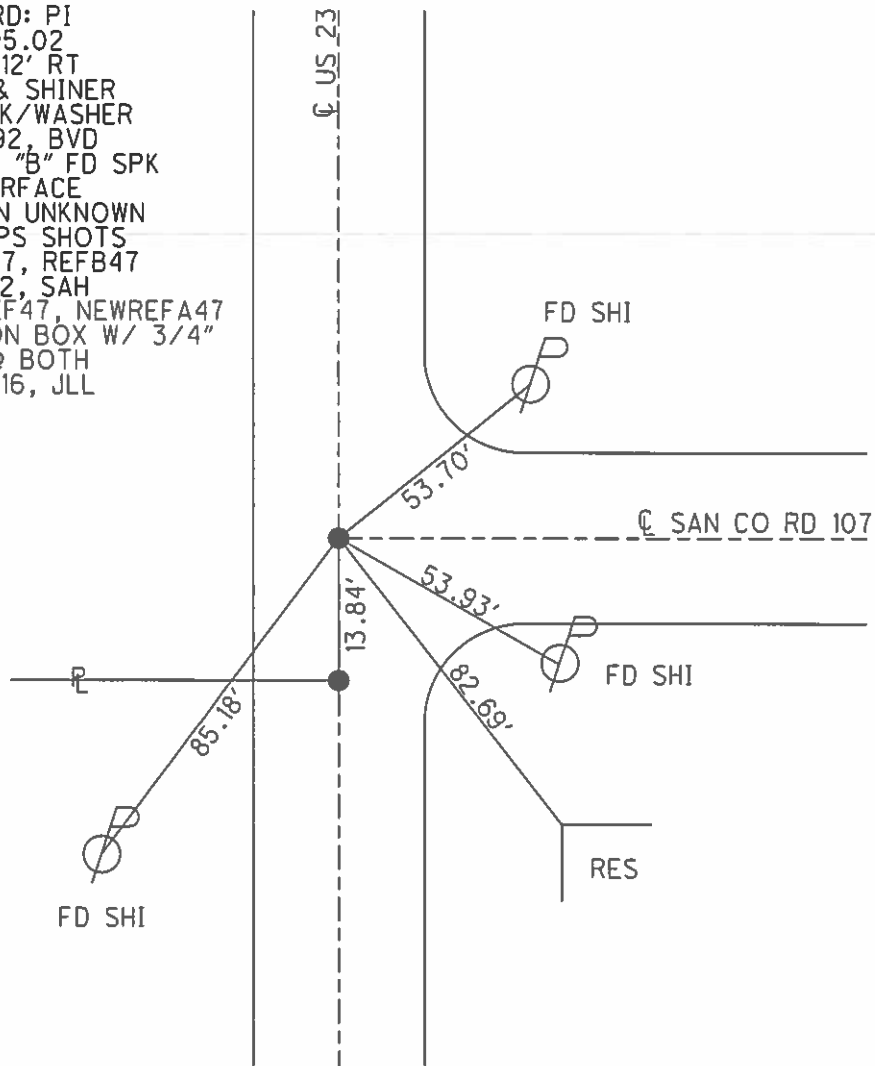
O.D.O.T. DISTRICT 2 SURVEY OFFICE (USE ONLY)

PERSONNEL \_\_\_\_\_ REFERENCE NO. 47 SHEET 19 OF 22  
 NOTES HOMAN DATE 4-22-14 ROUTE US 23  
 H.C. ROUSOS WEATHER CLOUDY COUNTY WOOD  
 R.C. GABLE TEMP. 60° TOWNSHIP FREEDOM  
 \_\_\_\_\_ SECTION 12  
 \_\_\_\_\_ T 5 N R 12 E

TYPE MONUMENT \_\_\_\_\_ PK NAIL \_\_\_\_\_  
 ON SURFACE - ~~BELOW~~ \_\_\_\_\_ ON \_\_\_\_\_  
~~LEFT~~ - Q PAV'T - ~~RIGHT~~ \_\_\_\_\_ ON \_\_\_\_\_  
11.9 TO W EDGE PAVEMENT  
 S.L.M. \_\_\_\_\_ 899+95.88  
 Grid: Northing: 637788.095 Easting: 1717310.382



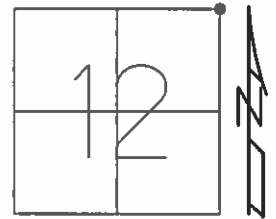
RECORD: PI  
 899+95.02  
 $\Delta=0^{\circ}-12'$  RT  
 NAIL & SHINER  
 SET PK/WASHER  
 4-15-92, BVD  
 POINT "B" FD SPK  
 AT SURFACE  
 ORIGIN UNKNOWN  
 FD, GPS SHOTS  
 REFA47, REFB47  
 12-3-12, SAH  
 NEWREF47, NEWREFA47  
 FD MON BOX W/ 3/4"  
 IPIN @ BOTH  
 10-17-16, JLL



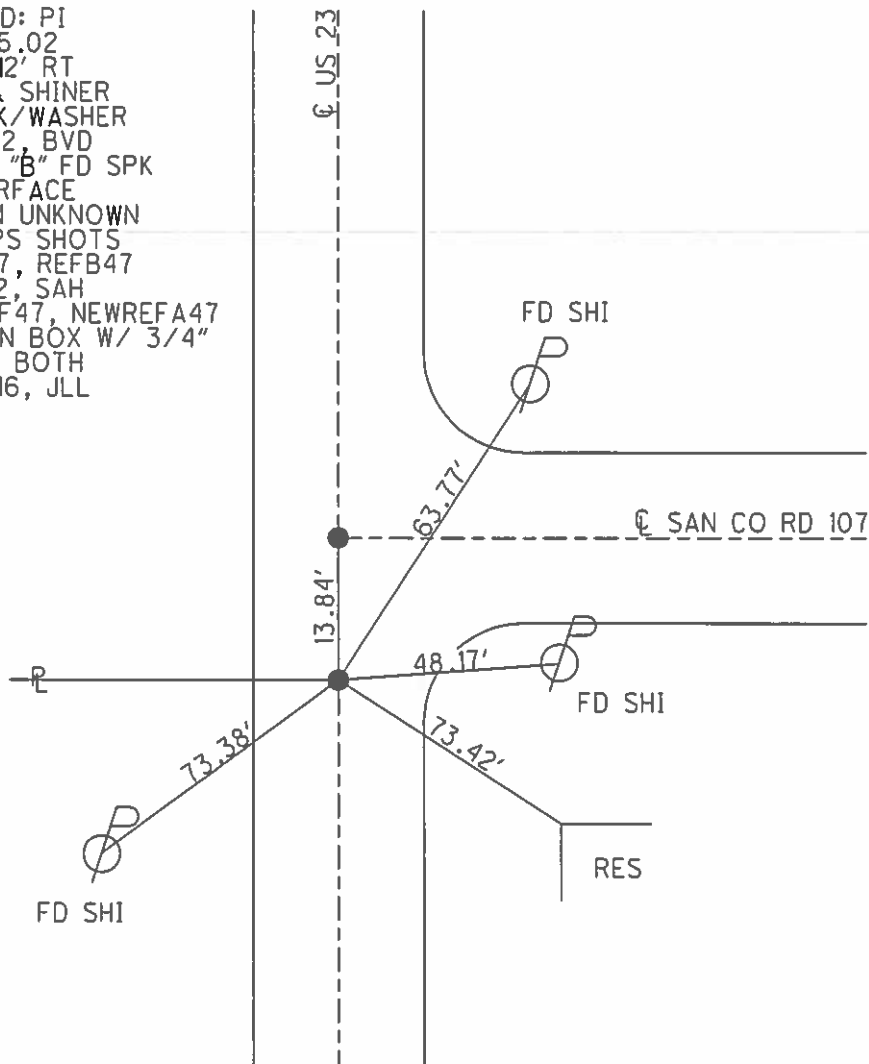
O.D.O.T. DISTRICT 2 SURVEY OFFICE (USE ONLY)

PERSONNEL \_\_\_\_\_ REFERENCE NO. 47 SHEET 20 OF 22  
 NOTES HOMAN DATE 4-22-14 ROUTE US 23  
 H.C. ROUSOS WEATHER CLOUDY COUNTY WOOD  
 R.C. GABLE TEMP. 60° TOWNSHIP FREEDOM  
 \_\_\_\_\_ SECTION 12  
 \_\_\_\_\_ T 5 N R 12 E

TYPE MONUMENT \_\_\_\_\_ SPK \_\_\_\_\_  
 ON SURFACE - ~~BELOW~~ \_\_\_\_\_ ON \_\_\_\_\_  
~~LEFT~~ - Q PAV'T - ~~RIGHT~~ \_\_\_\_\_ ON \_\_\_\_\_  
11.9 TO W EDGE PAVEMENT  
 S.L.M. \_\_\_\_\_ 899+82.02  
 Grid: Northing: 637801.888 Easting: 1717310.768



RECORD: PI  
 899+95.02  
 $\Delta=0^{\circ}-12'$  RT  
 NAIL & SHINER  
 SET PK/WASHER  
 4-15-92, BVD  
 POINT "B" FD SPK  
 AT SURFACE  
 ORIGIN UNKNOWN  
 FD, GPS SHOTS  
 REFA47, REFB47  
 12-3-12, SAH  
 NEWREF47, NEWREFA47  
 FD MON BOX W/ 3/4"  
 IPIN @ BOTH  
 10-17-16, JLL

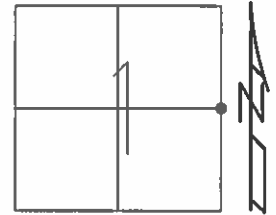




**O.D.O.T. DISTRICT 2 SURVEY OFFICE (USE ONLY)**

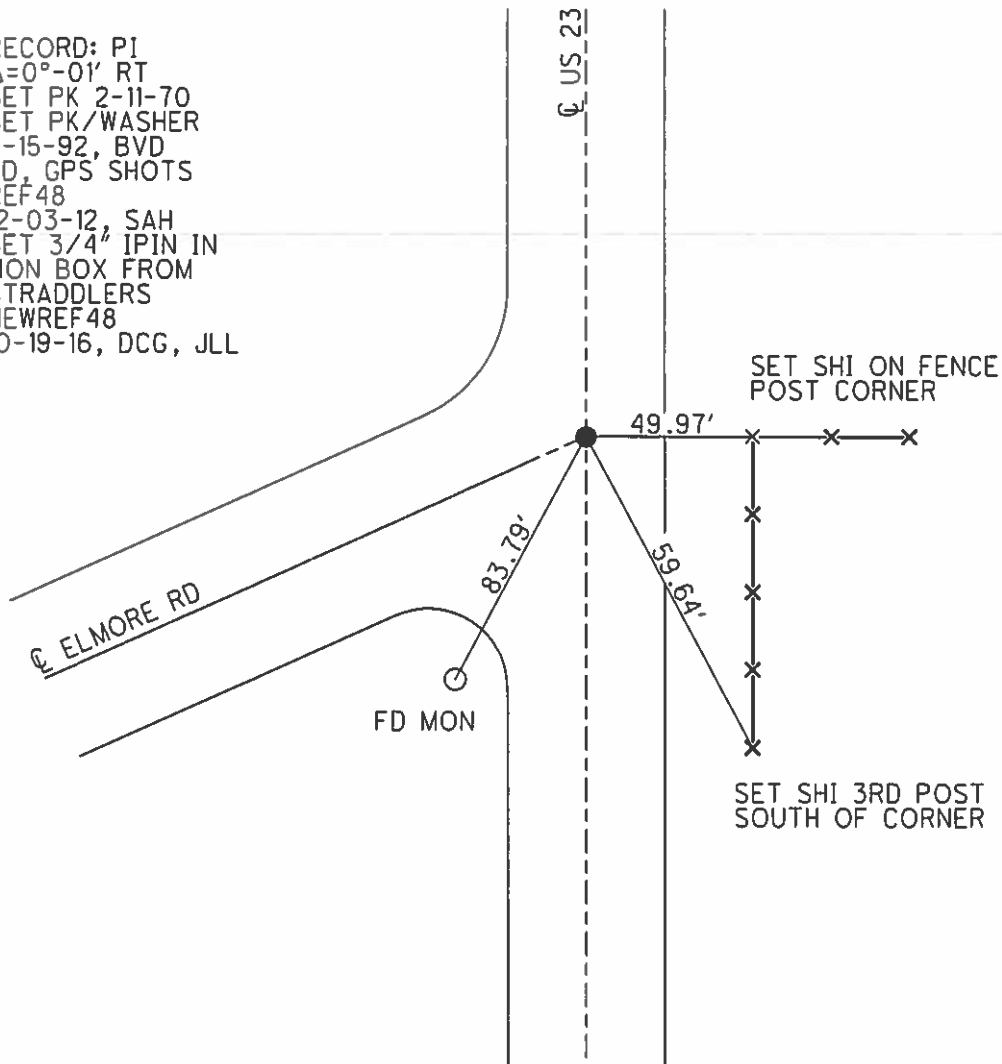
PERSONNEL \_\_\_\_\_ REFERENCE NO. 48 SHEET 21 OF 22  
 NOTES HOMAN DATE 4-22-14 ROUTE US 23  
 H.C. ROUSOS WEATHER CLOUDY COUNTY WOOD  
 R.C. GABLE TEMP. 60° TOWNSHIP FREEDOM  
 SECTION 1  
 T 5 N R 12 E

TYPE MONUMENT \_\_\_\_\_ SPK \_\_\_\_\_  
 ON SURFACE - ~~BELOW~~ 1 1/2"  
~~LEFT~~ - Q PAV'T - ~~RIGHT~~ ON  
12' TO E EDGE PAVEMENT  
 S.L.M. 926+42.36



Grid: Northing: 640447.236 Easting: 1717388.551

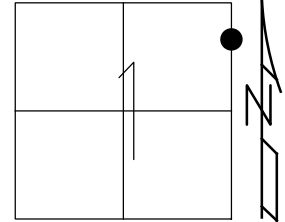
RECORD: PI  
 $\Delta=0^{\circ}-01'$  RT  
 SET PK 2-11-70  
 SET PK/WASHER  
 4-15-92, BVD  
 FD, GPS SHOTS  
 REF48  
 12-03-12, SAH  
 SET 3/4" IPIN IN  
 MON BOX FROM  
 STRADDLERS  
 NEWREF48  
 10-19-16, DCG, JLL



O.D.O.T. DISTRICT 2 SURVEY OFFICE (USE ONLY)

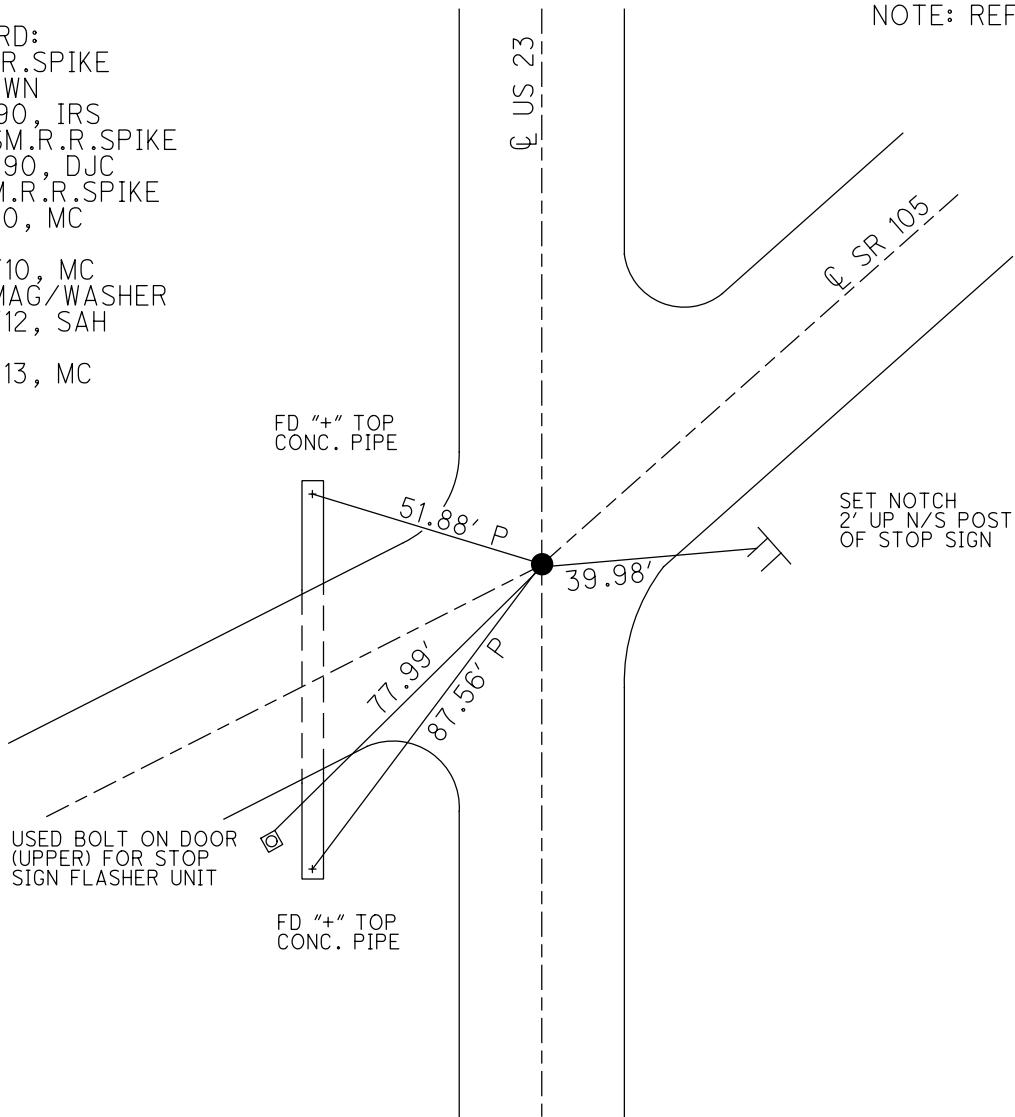
PERSONNEL	REFERENCE NO.	<u>49</u>	SHEET	<u>21</u>	OF	<u>33</u>
NOTES	<u>HUSS</u>	DATE	<u>4/20/12</u>	ROUTE	<u>US 23</u>	
H.C.	<u>CANTERBURY</u>	WEATHER	<u>CLEAR</u>	COUNTY	<u>WOOD</u>	
R.C.	<u>HOMAN</u>	TEMP.	<u>62°</u>	TOWNSHIP	<u>FREEDOM</u>	
				SECTION	<u>1</u>	
				T	<u>5</u>	N
				R	<u>12</u>	E

TYPE MONUMENT LG RR SPIKE  
~~ON SURFACE~~ - BELOW 0.3'  
 LEFT - CL PAV'T - RIGHT ON  
- TO - EDGE PAVEMENT  
 S.L.M. 946+17.6  
 GRID: NORTHING: 642375.523 EASTING: 1717446.193



RECORD:  
 FD R.R.SPIKE  
 3" DOWN  
 5/3/90, IRS  
 SET SM.R.R.SPIKE  
 6/15/90, DJC  
 FD SM.R.R.SPIKE  
 7/2/10, MC  
 CP49  
 8/10/10, MC  
 SET MAG/WASHER  
 12/11/12, SAH  
 FIN49  
 3/13/13, MC

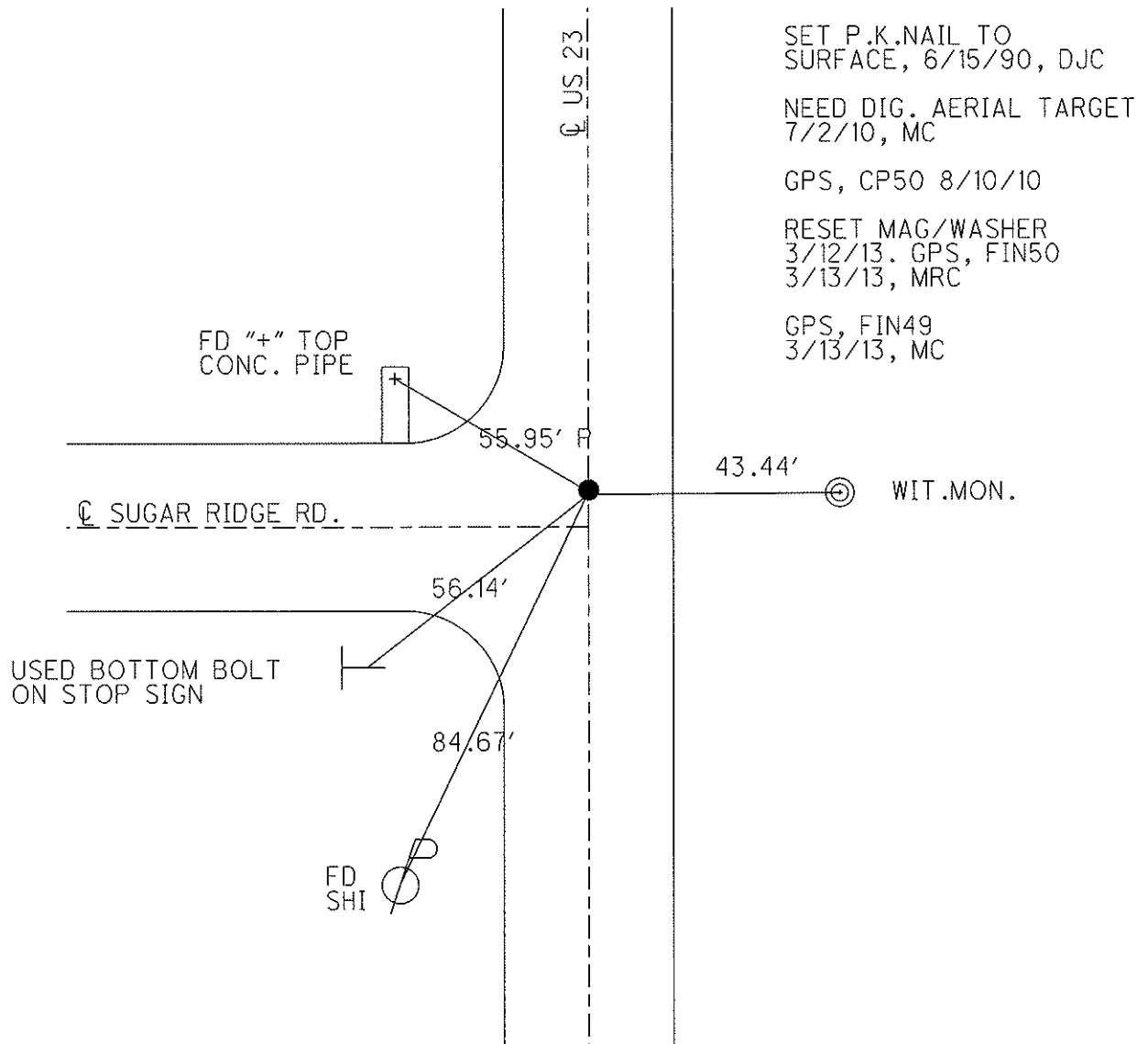
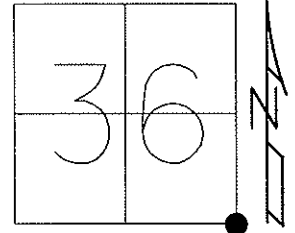
NOTE: REF 94 SR 105



O.D.O.T. DISTRICT 2 SURVEY OFFICE (USE ONLY)

PERSONNEL	REFERENCE NO. <u>50</u>	SHEET <u>2</u> OF <u>13</u>
NOTES <u>HUSS</u>	DATE <u>4/20/12</u>	ROUTE <u>US 23</u>
H.C. <u>CANTERBURY</u>	WEATHER <u>CLEAR</u>	COUNTY <u>WOOD</u>
R.C. <u>HOMAN</u>	TEMP. <u>62°</u>	TOWNSHIP <u>TROY</u>
		SECTION <u>36</u>
		T <u>6</u> N R <u>12</u> E

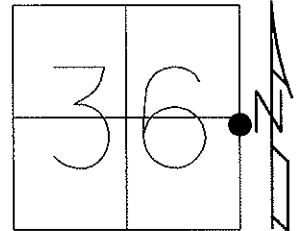
TYPE MONUMENT CAPPED IPIN  
~~ON SURFACE~~ - BELOW 0.4'  
 LEFT - CL PAV'T - RIGHT 5' N. OF CL WEST  
11.6' TO E. EDGE PAVEMENT  
 S.L.M. 952+77.54  
 Grid: Northing: 643035.1 Easting: 1717466.0



O.D.O.T. DISTRICT 2 SURVEY OFFICE (USE ONLY)

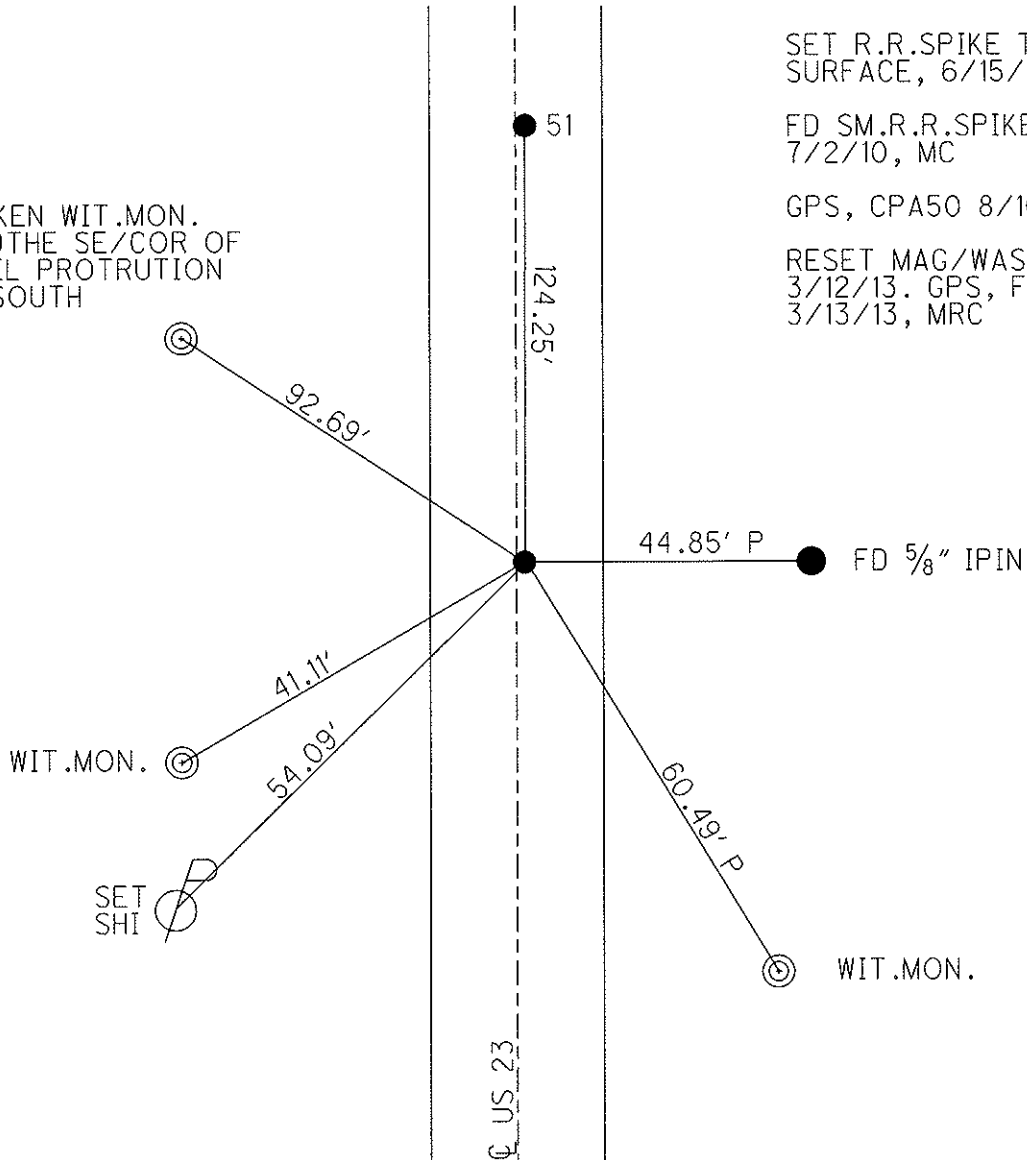
PERSONNEL	REFERENCE NO. <u>50 A</u>	SHEET <u>3</u> OF <u>13</u>
NOTES <u>HUSS</u>	DATE <u>4/20/12</u>	ROUTE <u>US 23</u>
H.C. <u>CANTERBURY</u>	WEATHER <u>CLEAR</u>	COUNTY <u>WOOD</u>
R.C. <u>HOMAN</u>	TEMP. <u>62°</u>	TOWNSHIP <u>TROY</u>
		SECTION <u>36</u>
		T <u>6</u> N R <u>12</u> E

TYPE MONUMENT R.R.SPIKE  
~~ON SURFACE~~ - BELOW 2"  
 LEFT - Q PAV'T - ~~RIGHT~~ 0.7'  
10.8' TO LT EDGE PAVEMENT  
 S.L.M. 979+46.31  
 Grid: Northing: 645578.2 Easting: 1717519.0



BROKEN WIT.MON.  
 USED THE SE/COR OF  
 STEEL PROTRUTION  
 TO SOUTH

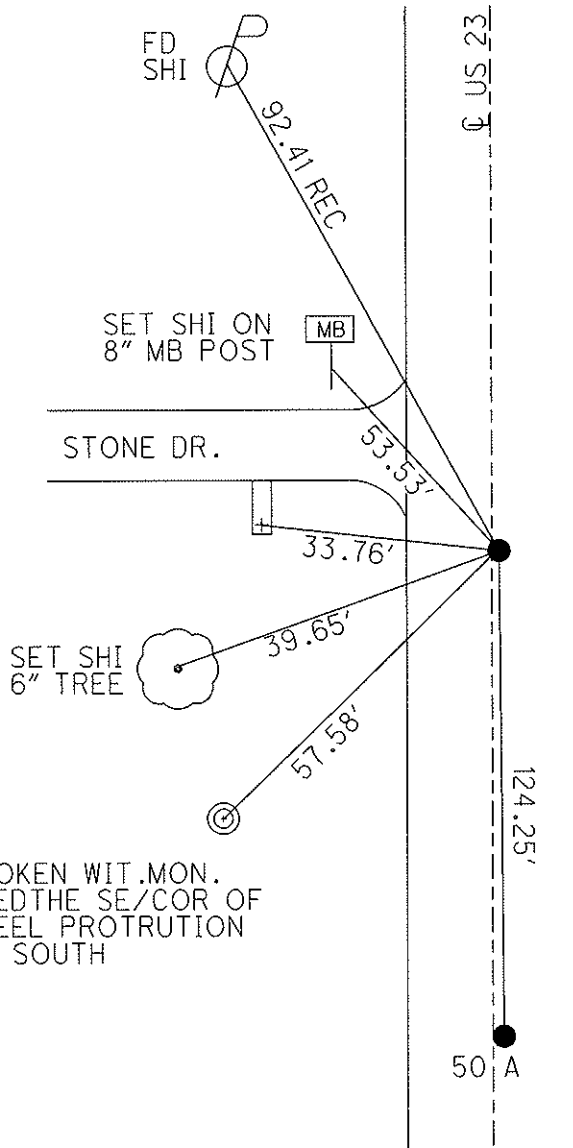
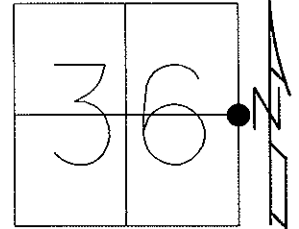
SET R.R.SPIKE TO  
 SURFACE, 6/15/90, DJC  
 FD SM.R.R.SPIKE  
 7/2/10, MC  
 GPS, CPA50 8/10/10  
 RESET MAG/WASHER  
 3/12/13. GPS, FINA50  
 3/13/13, MRC



O.D.O.T. DISTRICT 2 SURVEY OFFICE (USE ONLY)

PERSONNEL	REFERENCE NO. <u>51</u>	SHEET <u>4</u> OF <u>13</u>
NOTES <u>HUSS</u>	DATE <u>4/20/12</u>	ROUTE <u>US 23</u>
H.C. <u>CANTERBURY</u>	WEATHER <u>CLEAR</u>	COUNTY <u>WOOD</u>
R.C. <u>HOMAN</u>	TEMP. <u>62°</u>	TOWNSHIP <u>TROY</u>
		SECTION <u>36</u>
		T <u>6</u> N R <u>12</u> E

TYPE MONUMENT R.R.SPIKE  
~~ON SURFACE~~ - BELOW 2"  
 LEFT - Q PAV'T - ~~RIGHT~~ 0.7'  
10.7' TO LT EDGE PAVEMENT  
 S.L.M. 979+72  
 Grid: Northing: 645703.3 Easting: 1717522.0



SET R.R.SPIKE TO SURFACE, 6/15/90, DJC  
 FD SM.R.R.SPIKE 7/2/10, MC  
 GPS, CP51 8/10/10  
 RESET MAG/WASHER 3/12/13. GPS, FIN51 3/13/13, MRC

BROKEN WIT.MON. USED THE SE/COR OF STEEL PROTRUTION TO SOUTH

O.D.O.T. DISTRICT 2 SURVEY OFFICE (USE ONLY)

PERSONNEL \_\_\_\_\_

REFERENCE NO. 52

SHEET 5 OF 13

NOTES SCHNEIDER

DATE 2/11/70

ROUTE US 23

H.C. MOSSER

WEATHER CLOUDY

COUNTY WOOD

R.C. BARBOUR

TEMP. 35°

TOWNSHIP TROY

POTTS

SECTION 36

T 6 N R 12 E

TYPE MONUMENT N/A

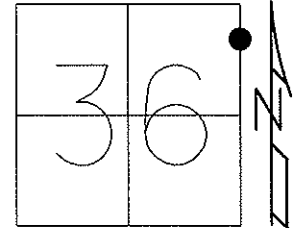
ON SURFACE - BELOW \_\_\_\_\_

LEFT - Q PAV'T - RIGHT \_\_\_\_\_

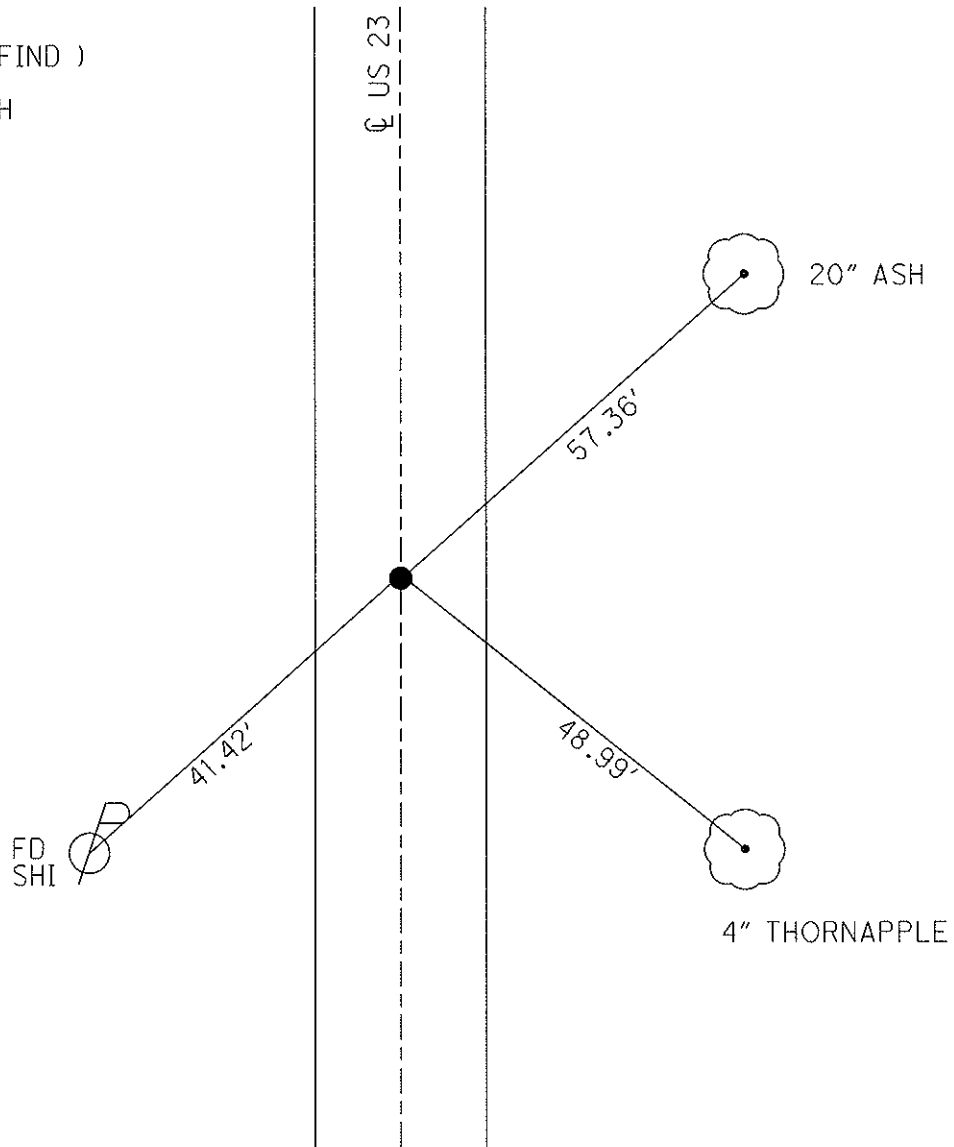
\_\_\_\_\_ TO \_\_\_\_\_ EDGE PAVEMENT

S.L.M. 991+96.13

Grid: Northing: \_\_\_\_\_ Easting: \_\_\_\_\_



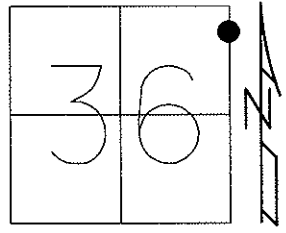
NOTE:  
P.O.T. ( DID NOT FIND )  
DNF, 8/10/10, SAH



O.D.O.T. DISTRICT 2 SURVEY OFFICE (USE ONLY)

PERSONNEL \_\_\_\_\_ REFERENCE NO. 53 SHEET 6 OF 13  
 NOTES HUSS DATE 4/20/12 ROUTE US 23  
 H.C. CANTERBURY WEATHER CLEAR COUNTY WOOD  
 R.C. HOMAN TEMP. 62° TOWNSHIP TROY  
 \_\_\_\_\_ SECTION 36  
 \_\_\_\_\_ T 6 N R 12 E

TYPE MONUMENT P.K.NAIL (DNF)  
 ON SURFACE - BELOW \_\_\_\_\_  
 LEFT - ☉ PAV'T - RIGHT \_\_\_\_\_  
 \_\_\_\_\_ TO \_\_\_\_\_ EDGE PAVEMENT  
 S.L.M. 1003+42

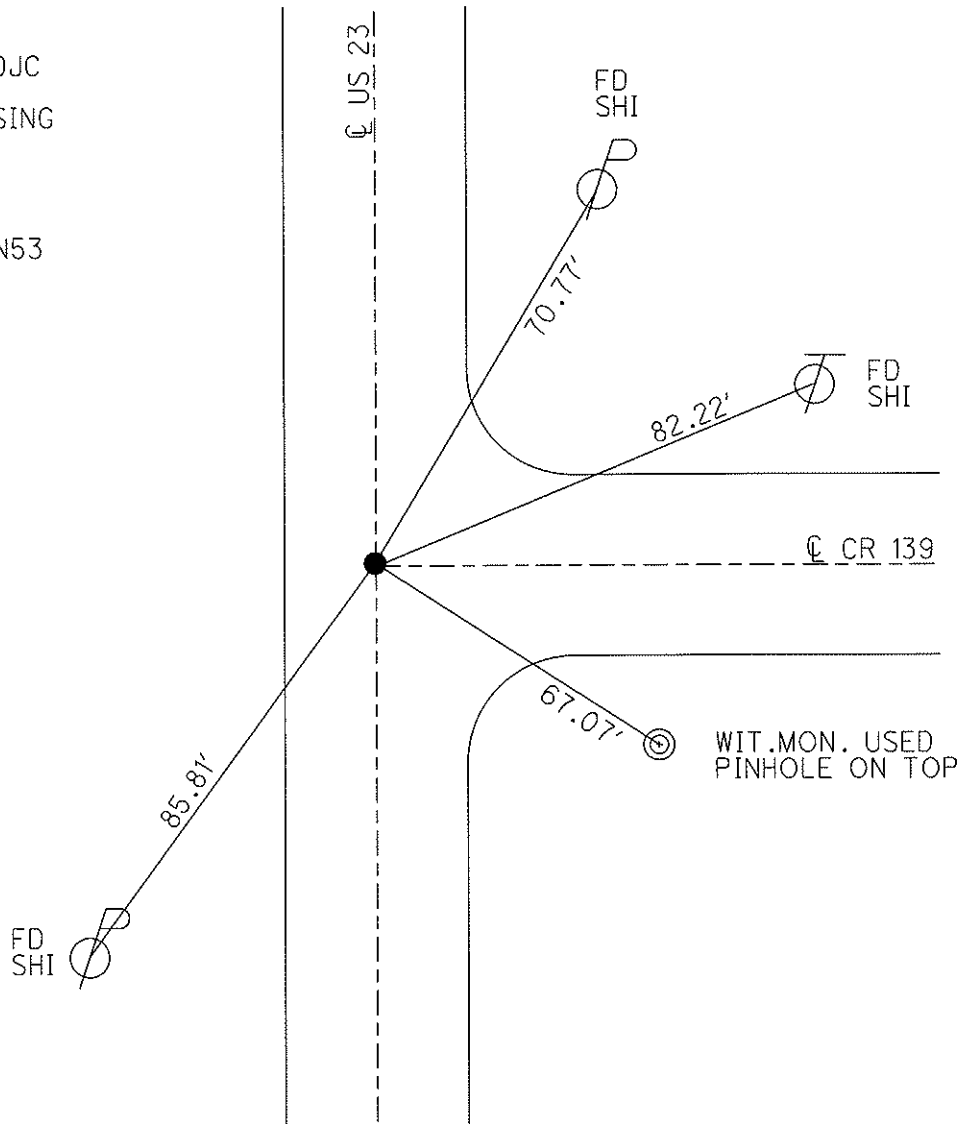


Grid: Northing: 648074.3 Easting: 1717564.0

FD P.K.NAIL 3 1/2"  
 DEEP. 6/15/90, DJC

DNF. WILL SET USING  
 EXISTING TIES.  
 8/10/10, SAH

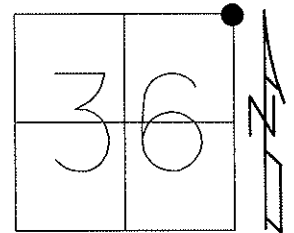
SET MAG/WASHER  
 3/12/13. GPS, FIN53  
 3/13/13, MRC



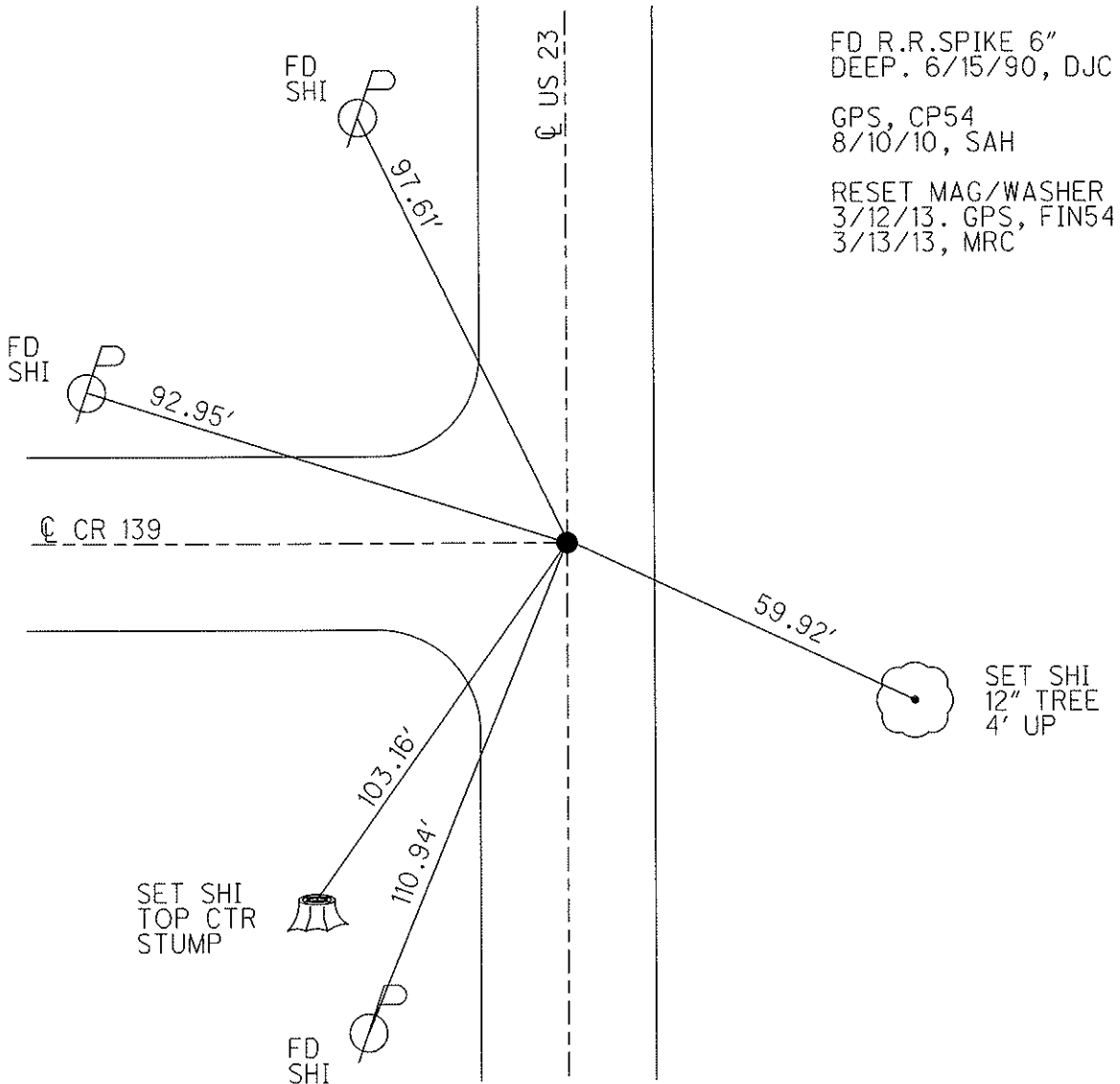
O.D.O.T. DISTRICT 2 SURVEY OFFICE (USE ONLY)

PERSONNEL	REFERENCE NO. <u>54</u>	SHEET <u>7</u> OF <u>13</u>
NOTES <u>HUSS</u>	DATE <u>4/20/12</u>	ROUTE <u>US 23</u>
H.C. <u>CANTERBURY</u>	WEATHER <u>CLEAR</u>	COUNTY <u>WOOD</u>
R.C. <u>HOMAN</u>	TEMP. <u>62°</u>	TOWNSHIP <u>TROY</u>
		SECTION <u>36</u>
		T <u>6</u> N R <u>12</u> E

TYPE MONUMENT SM.R.R.SPIKE  
~~ON SURFACE~~ - BELOW 0.6'  
 LEFT - Q PAV'T - RIGHT \_\_\_\_\_  
11.9' TO E. EDGE PAVEMENT  
 S.L.M. 1005+75.05



Grid: Northing: 648331.6 Easting: 1717569.0



FD R.R.SPIKE 6"  
 DEEP. 6/15/90, DJC  
 GPS, CP54  
 8/10/10, SAH  
 RESET MAG/WASHER  
 3/12/13. GPS, FIN54  
 3/13/13, MRC

SET SHI  
 TOP CTR  
 STUMP

SET SHI  
 12" TREE  
 4' UP



O.D.O.T. DISTRICT 2 SURVEY OFFICE (USE ONLY)

PERSONNEL

REFERENCE NO. 55

SHEET 8 OF 13

NOTES HUSS

DATE 4/20/12

ROUTE US 23

H.C. CANTERBURY

WEATHER CLEAR

COUNTY WOOD

R.C. HOMAN

TEMP. 62°

TOWNSHIP TROY

SECTION 25

T 6 N R 12 E

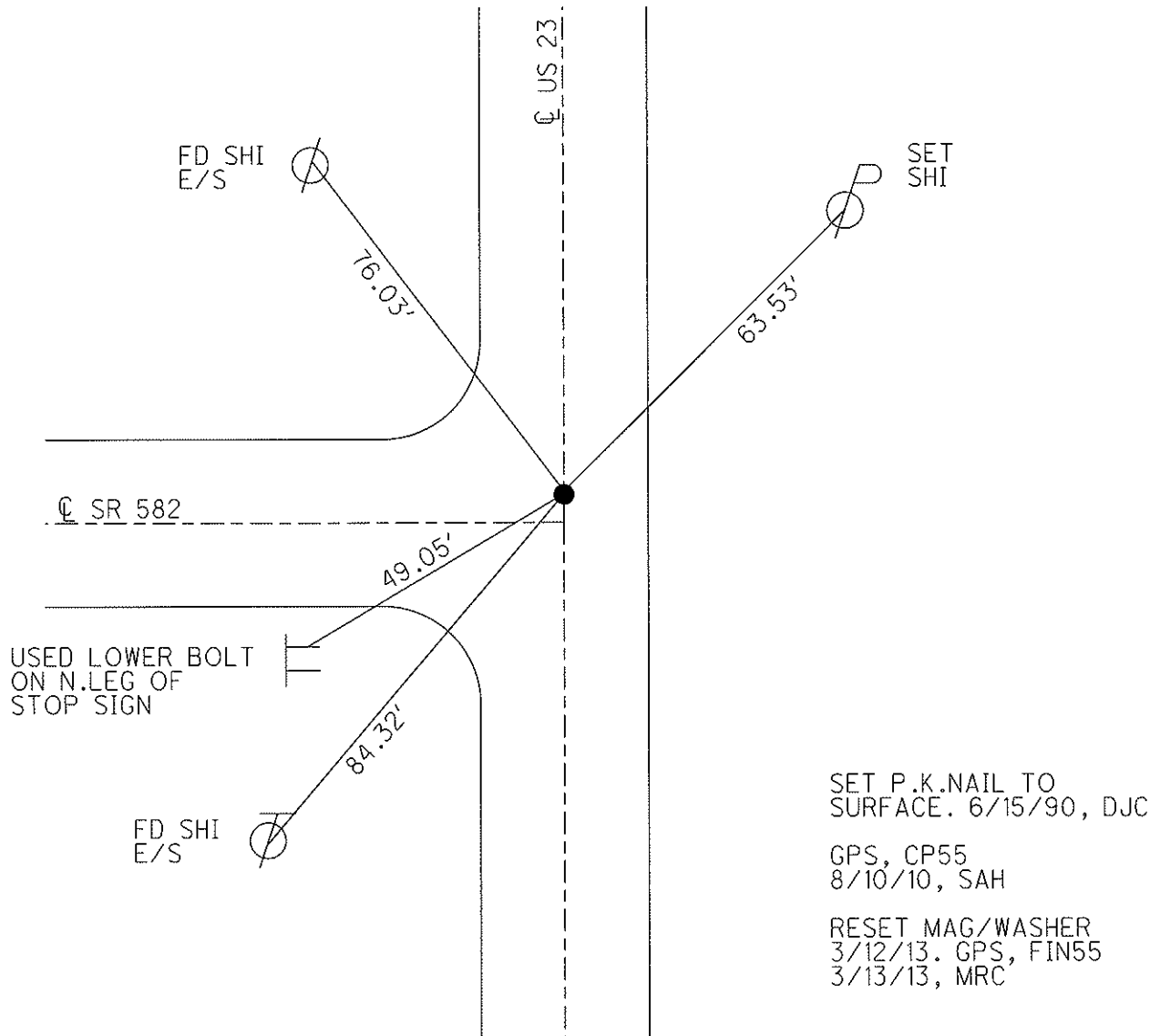
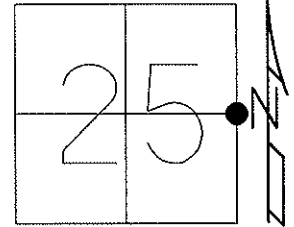
TYPE MONUMENT IPIN, "+ "CUT

~~ON SURFACE~~ - BELOW 0.5'

LEFT - Q PAV'T - RIGHT ON, 3.7' N. OF Q WEST  
12.2' TO E. EDGE PAVEMENT

S.L.M. 1032+20.95

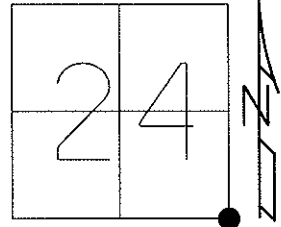
Grid: Northing: 650977.20 Easting: 1717614.00



O.D.O.T. DISTRICT 2 SURVEY OFFICE (USE ONLY)

PERSONNEL	REFERENCE NO. <u>56</u>	SHEET <u>9</u> OF <u>13</u>
NOTES <u>HUSS</u>	DATE <u>4/20/12</u>	ROUTE <u>US 23</u>
H.C. <u>CANTERBURY</u>	WEATHER <u>CLEAR</u>	COUNTY <u>WOOD</u>
R.C. <u>HOMAN</u>	TEMP. <u>62°</u>	TOWNSHIP <u>TROY</u>
		SECTION <u>24</u>
		T <u>6</u> N R <u>12</u> E

TYPE MONUMENT P.K.NAIL  
 ON SURFACE - ~~BELOW~~ ON \_\_\_\_\_  
 LEFT - Q PAV'T - ~~RIGHT~~ 0.7', 7.5' N. OF E.Q  
10.6' TO W. EDGE PAVEMENT  
 S.L.M. 1055+96.33  
 Grid: Northing: 653352.20 Easting: 1717655.00



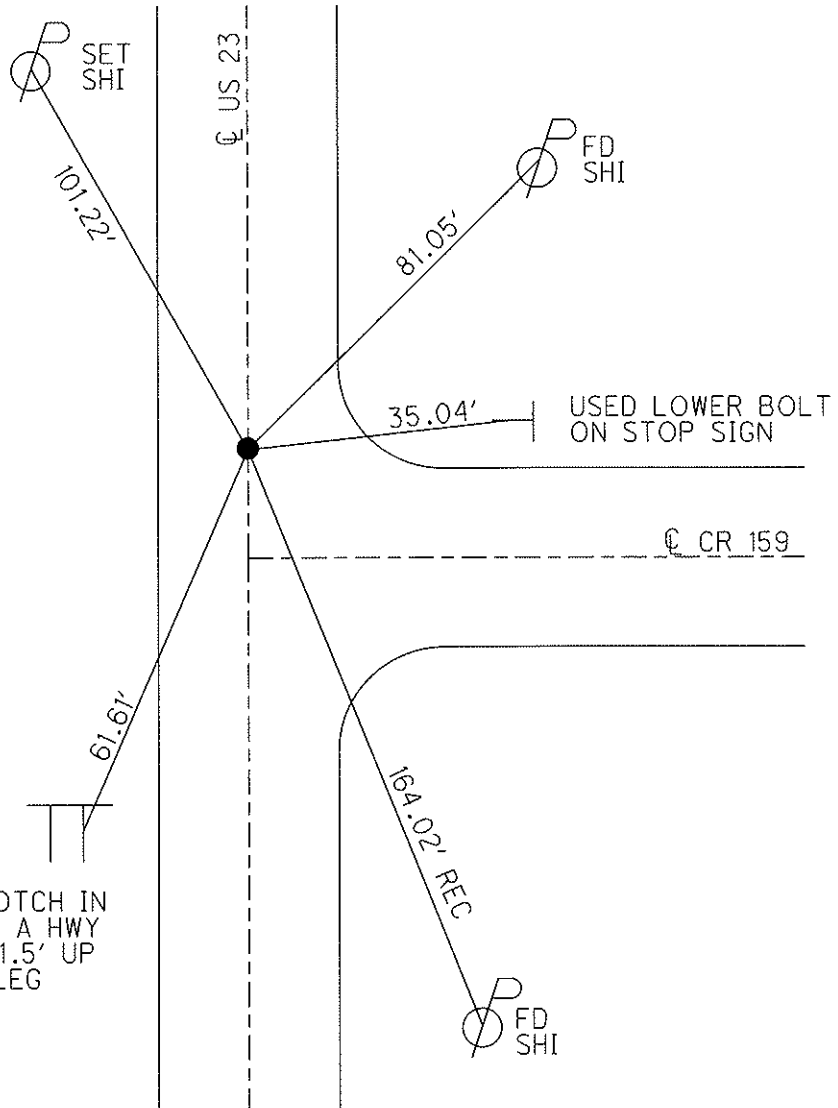
SET P.K.NAIL TO SURFACE. 6/15/90, DJC

FD P.K.NAIL 7/6/10, MC

GPS, CP56 8/10/10, SAH

RESET MAG/WASHER 3/12/13. GPS, FIN56 3/13/13, MRC

NOTE: POINT IS 264.03' TO REF 57.



O.D.O.T. DISTRICT 2 SURVEY OFFICE (USE ONLY)

PERSONNEL

REFERENCE NO. 57

SHEET 10 OF 13

NOTES HUSS

DATE 4/20/12

ROUTE US 23

H.C. CANTERBURY

WEATHER WINDY

COUNTY WOOD

R.C. HOMAN

TEMP. 62°

TOWNSHIP TROY

SECTION 24

T 6 N R 12 E

TYPE MONUMENT SHANK

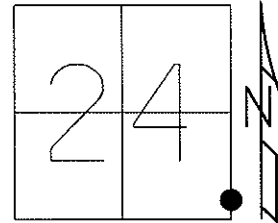
~~ON SURFACE~~ - BELOW 0.2'

LEFT - Q PAV'T - RIGHT ON

TO - EDGE PAVEMENT

S.L.M. 1058+60.35

Grid: Northing: 653616.10 Easting: 1717659.00

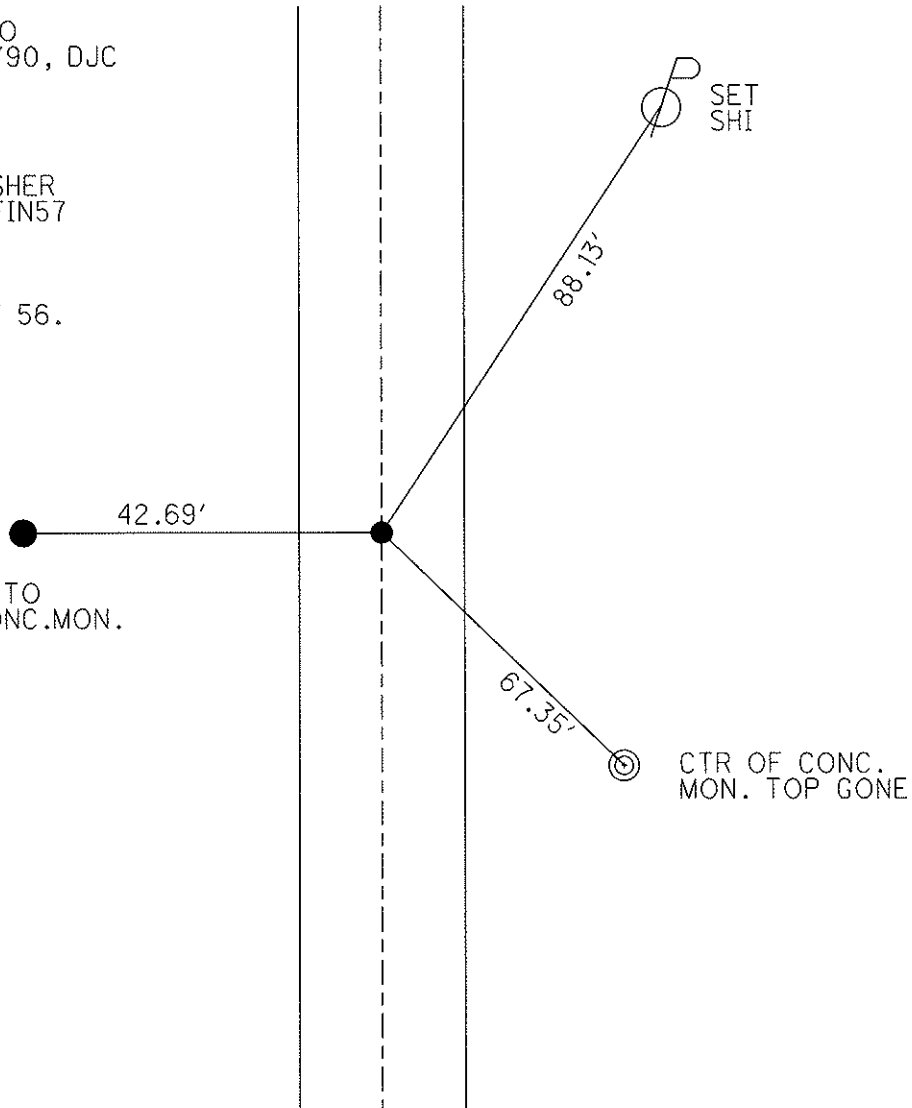


SET P.K.NAIL TO  
SURFACE: 6/15/90, DJC

GPS, CP57  
8/11/10, SAH

RESET MAG/WASHER  
3/12/13, GPS, FIN57  
3/13/13, MRC

NOTE: POINT IS  
264.03' TO REF 56.

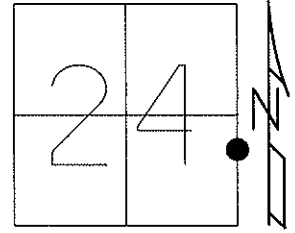


USED GREEN IPIN TO  
S. OF BROKEN CONC.MON.

O.D.O.T. DISTRICT 2 SURVEY OFFICE (USE ONLY)

PERSONNEL	REFERENCE NO. <u>57 A</u>	SHEET <u>11</u> OF <u>13</u>
NOTES <u>HUSS</u>	DATE <u>4/20/12</u>	ROUTE <u>US 23</u>
H.C. <u>CANTERBURY</u>	WEATHER <u>WINDY</u>	COUNTY <u>WOOD</u>
R.C. <u>HUSS</u>	TEMP. <u>64°</u>	TOWNSHIP <u>TROY</u>
		SECTION <u>24</u>
		T <u>6</u> N R <u>12</u> E

TYPE MONUMENT P.K.NAIL  
 ON SURFACE - ~~BELOW~~ ON  
 LEFT - Q PAV'T - ~~RIGHT~~ 0.2'  
10.9' TO W EDGE PAVEMENT  
 S.L.M. 1082+69.92  
 Grid: Northing: 656025.30 Easting: 1717699.00



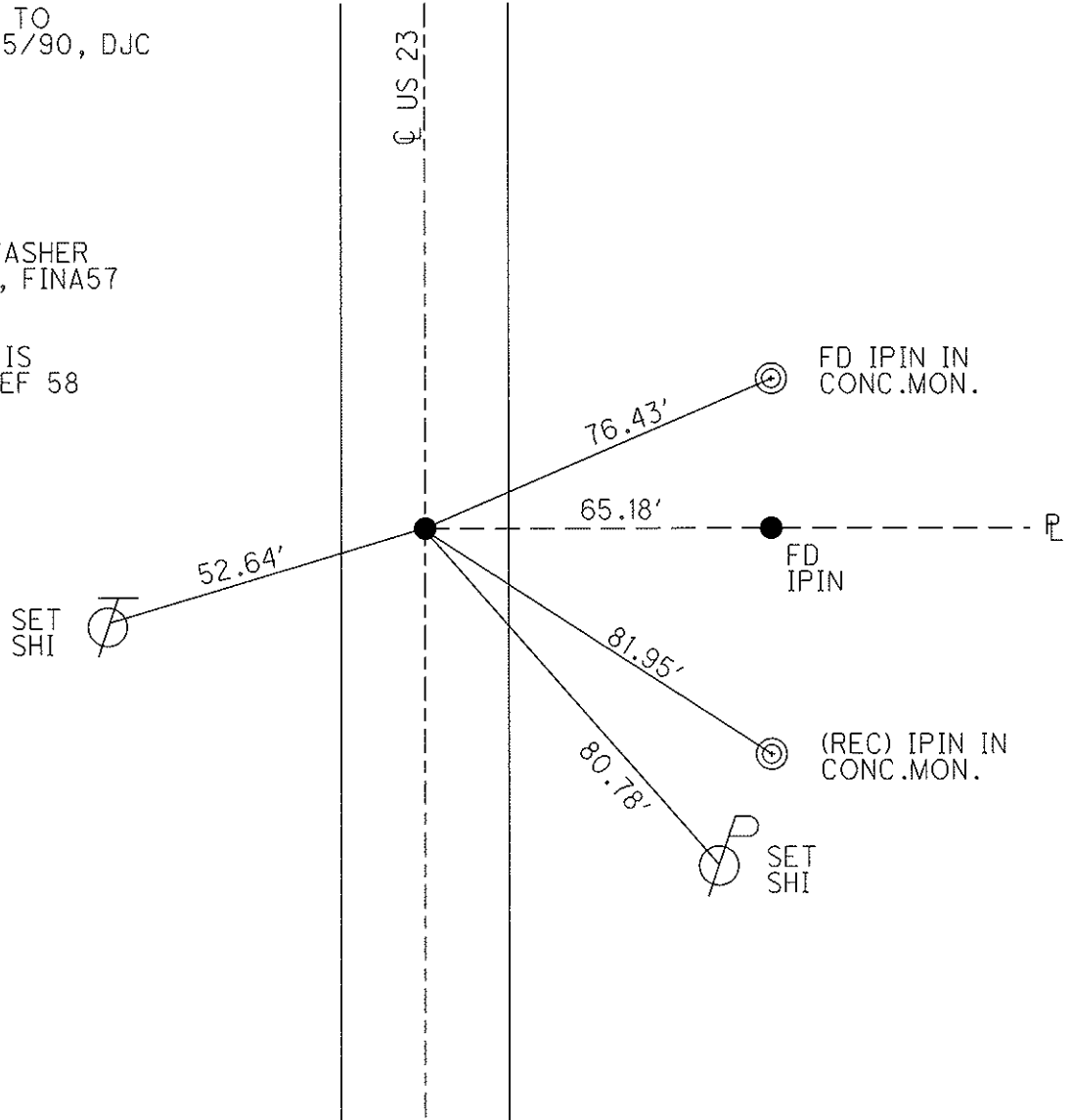
SET P.K.NAIL TO SURFACE. 6/15/90, DJC

FD P.K.NAIL 7/6/10, MC

GPS, CPA57 8/11/10, SAH

RESET MAG/WASHER 3/12/13, GPS, FINA57 3/13/13, MRC

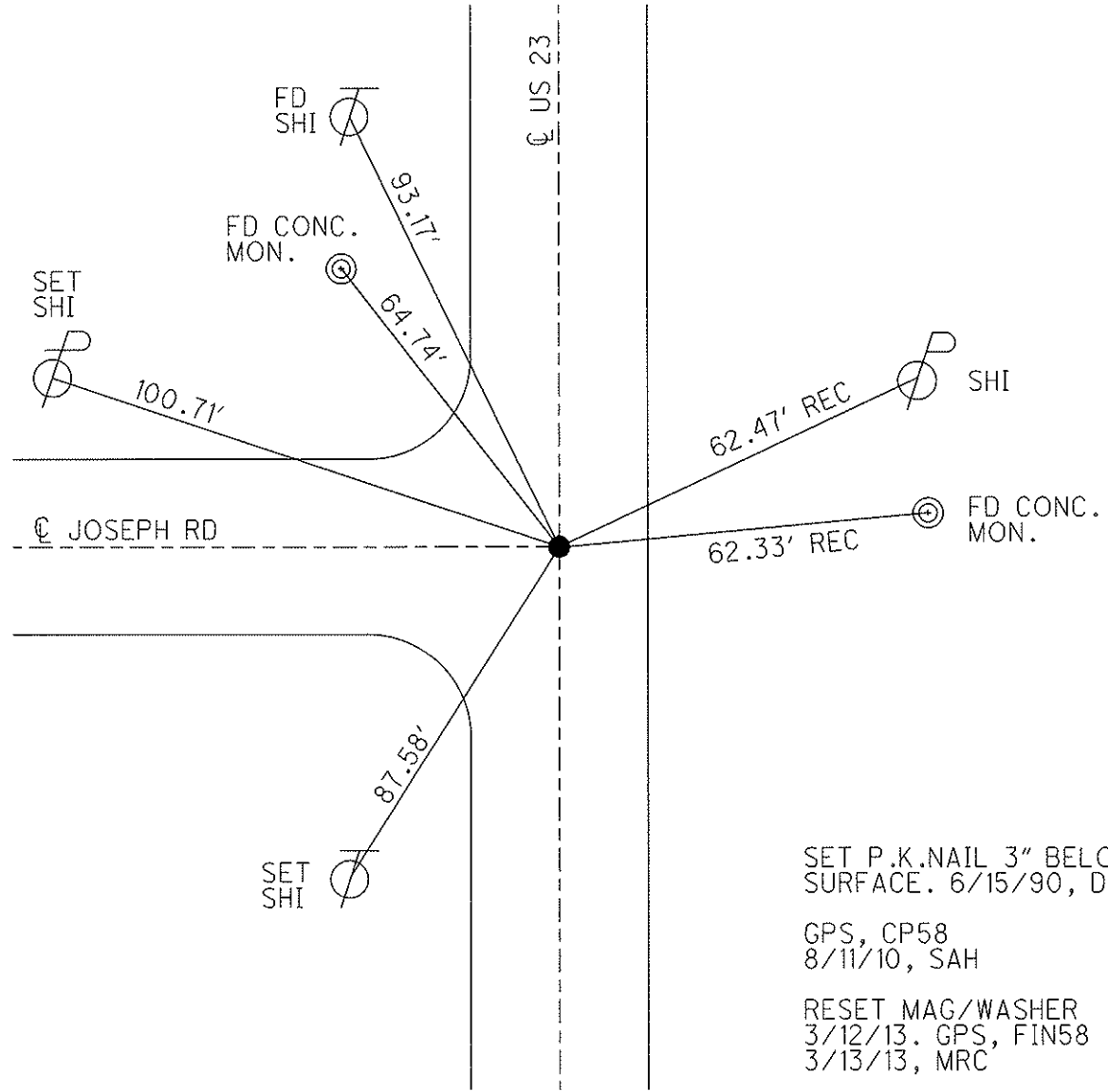
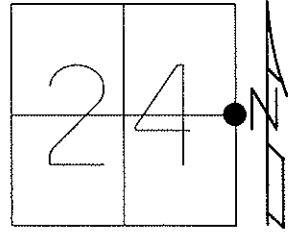
NOTE: POINT IS 227.49' TO REF 58



O.D.O.T. DISTRICT 2 SURVEY OFFICE (USE ONLY)

PERSONNEL	REFERENCE NO. <u>58</u>	SHEET <u>12</u> OF <u>13</u>
NOTES <u>HUSS</u>	DATE <u>4/20/12</u>	ROUTE <u>US 23</u>
H.C. <u>CANTERBURY</u>	WEATHER <u>WINDY</u>	COUNTY <u>WOOD</u>
R.C. <u>HUSS</u>	TEMP. <u>64°</u>	TOWNSHIP <u>TROY</u>
		SECTION <u>24</u>
		T <u>6</u> N R <u>12</u> E

TYPE MONUMENT BRASS MON.  
~~ON SURFACE~~ - BELOW 0.6'  
 LEFT - Q PAV'T - RIGHT ON  
12.2' TO E. EDGE PAVEMENT  
 S.L.M. 1084+97.41  
 Grid: Northing: 656252.90 Easting: 1717703.00

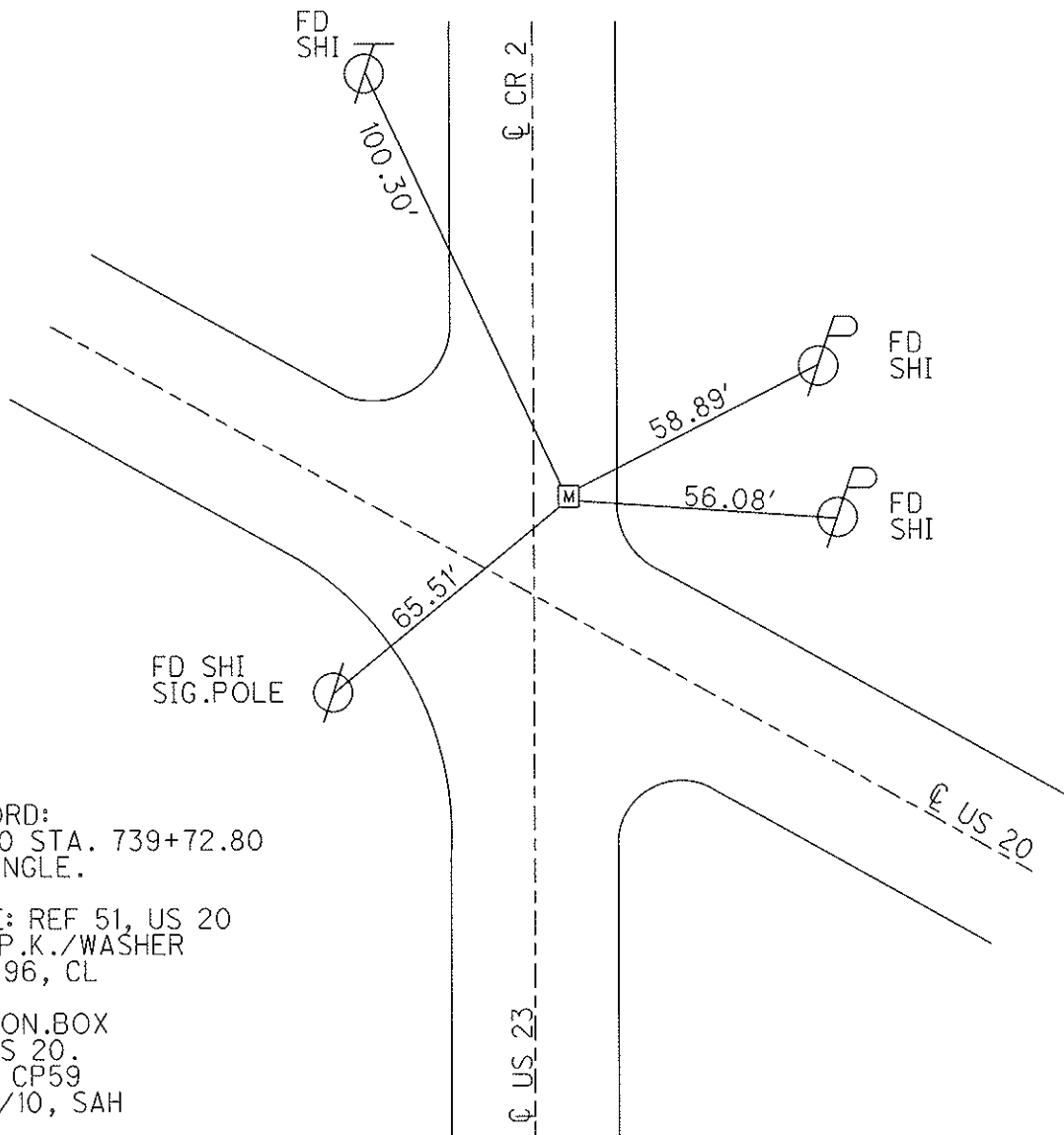
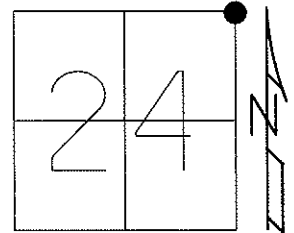


SET P.K.NAIL 3" BELOW SURFACE. 6/15/90, DJC  
 GPS, CP58  
 8/11/10, SAH  
 RESET MAG/WASHER  
 3/12/13. GPS, FIN58  
 3/13/13, MRC

O.D.O.T. DISTRICT 2 SURVEY OFFICE (USE ONLY)

PERSONNEL	REFERENCE NO. <u>59</u>	SHEET <u>13</u> OF <u>13</u>
NOTES <u>HUSS</u>	DATE <u>4/20/12</u>	ROUTE <u>US 23</u>
H.C. <u>CANTERBURY</u>	WEATHER <u>WINDY</u>	COUNTY <u>WOOD</u>
R.C. <u>HUSS</u>	TEMP. <u>64°</u>	TOWNSHIP <u>TROY</u>
		SECTION <u>24</u>
		T <u>6</u> N R <u>12</u> E

TYPE MONUMENT MON.BOX  
 ON SURFACE - ~~BELOW~~ ON  
~~LEFT~~ - CL PAV'T - RIGHT 2.0'  
     -      TO      EDGE PAVEMENT  
 S.L.M. 1112+05  
 Grid: Northing: 658960.10 Easting: 1717750.0



RECORD:  
 US 20 STA. 739+72.80  
 NO ANGLE.

NOTE: REF 51, US 20  
 SET P.K./WASHER  
 7/8/96, CL

FD MON.BOX  
 AT US 20.  
 GPS, CP59  
 10/11/10, SAH