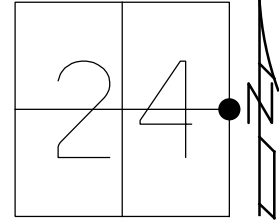


O.D.O.T. DISTRICT 2 SURVEY OFFICE (USE ONLY)

PERSONNEL _____ REFERENCE NO. 28 SHEET 34 OF 46
 NOTES RHOADES DATE 4/20/22 ROUTE US 23
 H.C. O'DONNELL WEATHER SUNNY COUNTY WOOD
 R.C. KETNER TEMP. 38° TOWNSHIP MONTGOMERY
AUBLE SECTION 24
 DWG BY RHOADES PID 102922 T 4 N R 12 E

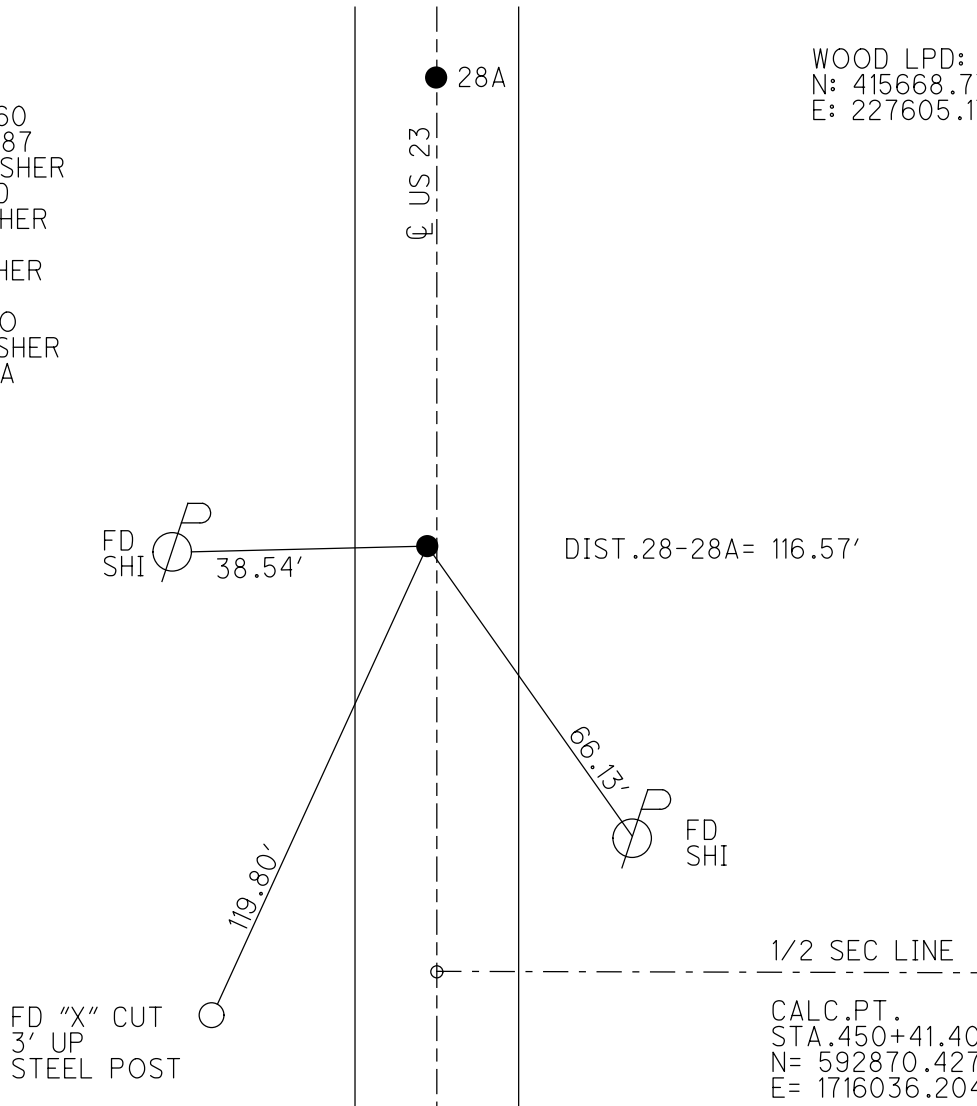
TYPE MONUMENT MAG NAIL
 ON SURFACE - ~~BELOW~~ ON
 OFFSET \varnothing PAVEMENT ON LT : RT
11.8 TO RT EDGE PAVEMENT
 STATION: 451+57.9



HORZ.DATUM: NAD83(2011) GEOID: NAVD88 2018
 GRID: NORTHING: 592986.864 EASTING: 1716040.019

RECORD: P.I.
 $\Delta = 0^\circ 1' \text{ LT}$
 STA 437+01.60
 STA 450+42.87
 SET P.K./WASHER
 4-27-92, BVD
 FD P.K./WASHER
 5/9/00
 FD MAG/WASHER
 REF28
 3/24/20, JFO
 SET MAG/WASHER
 9/23/22, DSA

WOOD LPD:
 N: 415668.771
 E: 227605.173



DIST.28-28A= 116.57'

1/2 SEC LINE

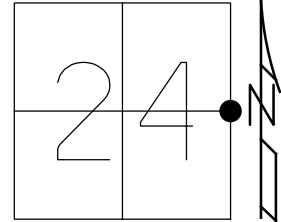
FD "X" CUT
 3' UP
 STEEL POST

CALC.PT.
 STA.450+41.40
 N= 592870.427
 E= 1716036.204

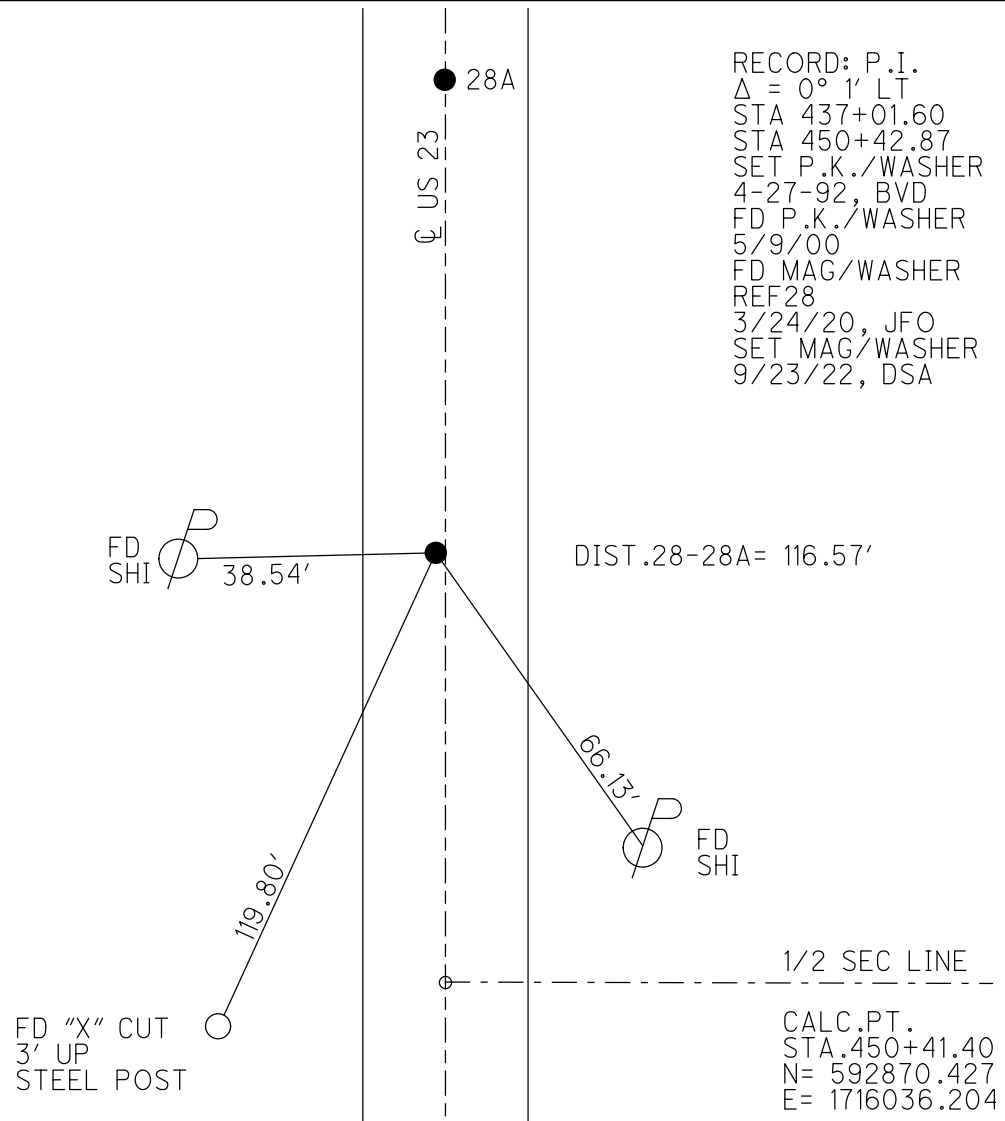
O.D.O.T. DISTRICT 2 SURVEY OFFICE (USE ONLY)

PERSONNEL _____ REFERENCE NO. 28 SHEET 34 OF 46
 NOTES RHOADES DATE 4/20/22 ROUTE US 23
 H.C. O'DONNELL WEATHER SUNNY COUNTY WOOD
 R.C. KETNER TEMP. 38° TOWNSHIP MONTGOMERY
AUBLE
 DWG BY RHOADES PID 102922 SECTION 24
 T 4 N R 12 E

TYPE MONUMENT MAG NAIL
 ON SURFACE - ~~BELOW~~ ON
 OFFSET Q PAVEMENT ON LT : RT
11.8 TO RT EDGE PAVEMENT
 STATION: 451+57.9



HORIZ.DATUM: NAD83(2011) GEOID: NAVD88 2018
 GRID: NORTHING: 592986.864 EASTING: 1716040.019



RECORD: P.I.
 $\Delta = 0^\circ 1' \text{ LT}$
 STA 437+01.60
 STA 450+42.87
 SET P.K./WASHER
 4-27-92, BVD
 FD P.K./WASHER
 5/9/00
 FD MAG/WASHER
 REF28
 3/24/20, JFO
 SET MAG/WASHER
 9/23/22, DSA

CALC.PT.
 STA. 450+41.40
 N= 592870.427
 E= 1716036.204

O.D.O.T. DISTRICT 2 SURVEY OFFICE (USE ONLY)

PERSONNEL

REFERENCE NO. 28

SHEET 28 OF 37

NOTES BARNHEISEL

DATE 8/9/91

ROUTE US 23

H.C. VAN DUSEN

WEATHER SUNNY

COUNTY WOOD

R.C. _____

TEMP. 83°

TOWNSHIP MONTGOMERY

DWG BY AUBLE

PID 102922

SECTION 24

T 4 N R 12 E

TYPE MONUMENT P.K./WASHER

ON SURFACE - ~~BELOW~~ ON

OFFSET ϕ PAVEMENT ON LT : RT

11.8 TO RT EDGE PAVEMENT

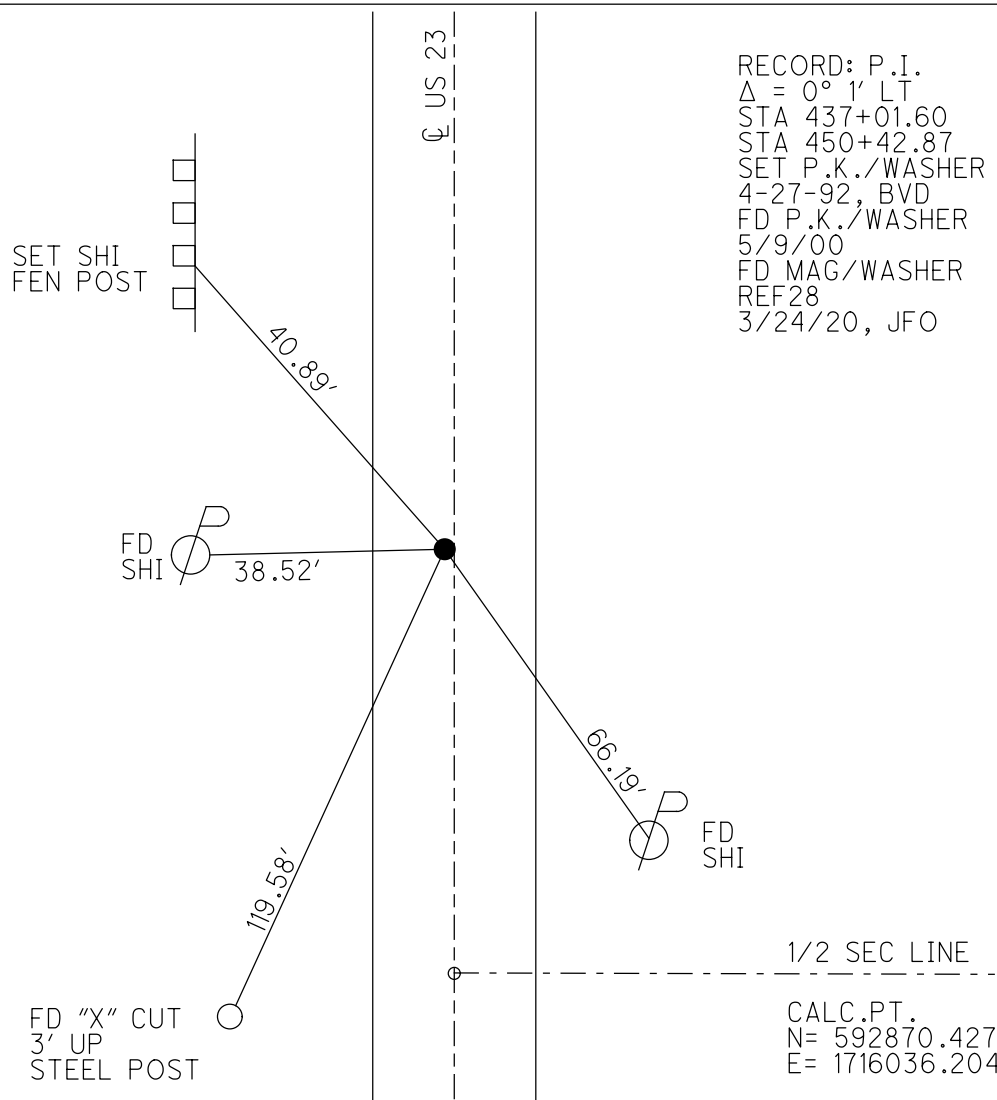
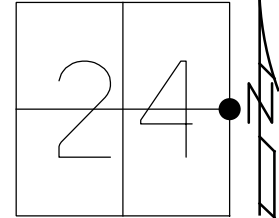
STATION: 450+68

HORZ.DATUM: NAD83(2011)

GEOID: NAVD88 2018

GRID: NORTHING: 592986.864

EASTING: 1716040.019



RECORD: P.I.
 $\Delta = 0^\circ 1' \text{ LT}$
 STA 437+01.60
 STA 450+42.87
 SET P.K./WASHER
 4-27-92, BVD
 FD P.K./WASHER
 5/9/00
 FD MAG/WASHER
 REF28
 3/24/20, JFO

1/2 SEC LINE

CALC.PT.
 N= 592870.427
 E= 1716036.204

O.D.O.T. DISTRICT 2 SURVEY OFFICE

PERSONNEL _____

REFERENCE NO. 28

SHEET 16 OF 23

NOTES BARNHISEL

H.C. VAN DUSEN

R.C. _____

DATE 8-9-91

WEATHER cloudy

TEMP. +70°

ROUTE U.S. 23

COUNTY Wood

TOWNSHIP Montgomery

SECTION 24

T 4 N R 12 E

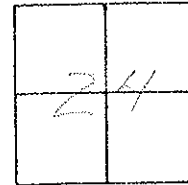
TYPE MONUMENT P.K. & WASHER

ON SURFACE - BELOW YES

LEFT - C. PAV'T. - RIGHT YES

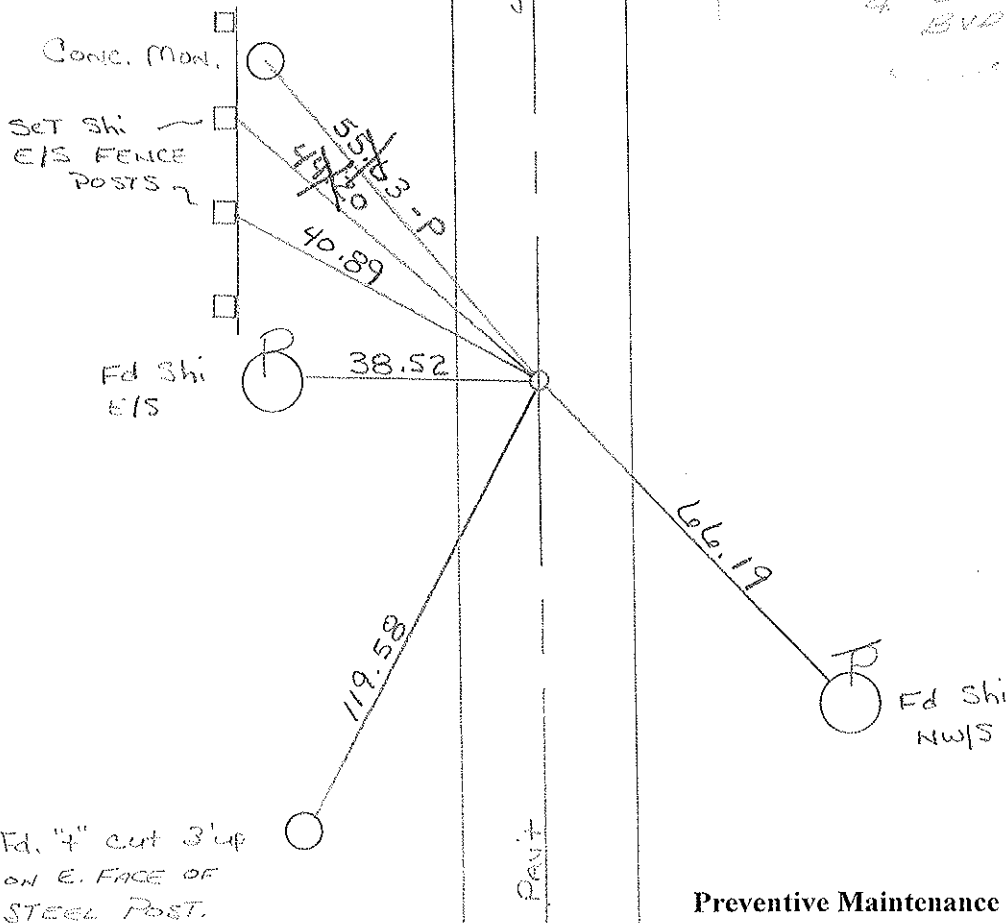
11.8 TO RT. EDGE PAVEMENT

S.L.M. 450+68



Record: $\Delta = 0^\circ - 01' \text{ LT}$

STA: 437+01.60 =
NEW STA: 450+42.87



SET PK & WASHER
4-27-92
BVD

Preventive Maintenance
Microsurfaced 2000
Existing Point Uncovered
Date 5-9-2000

County Wood S.R. U.S. 23

Township Montgomery

Section 24

T4N, R12E

Personnel HOFFMAN

Loehrke

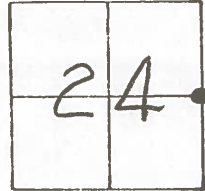
Householder

#28

Date 7-29-81

Weather Partly Cloudy

Temp. +72°

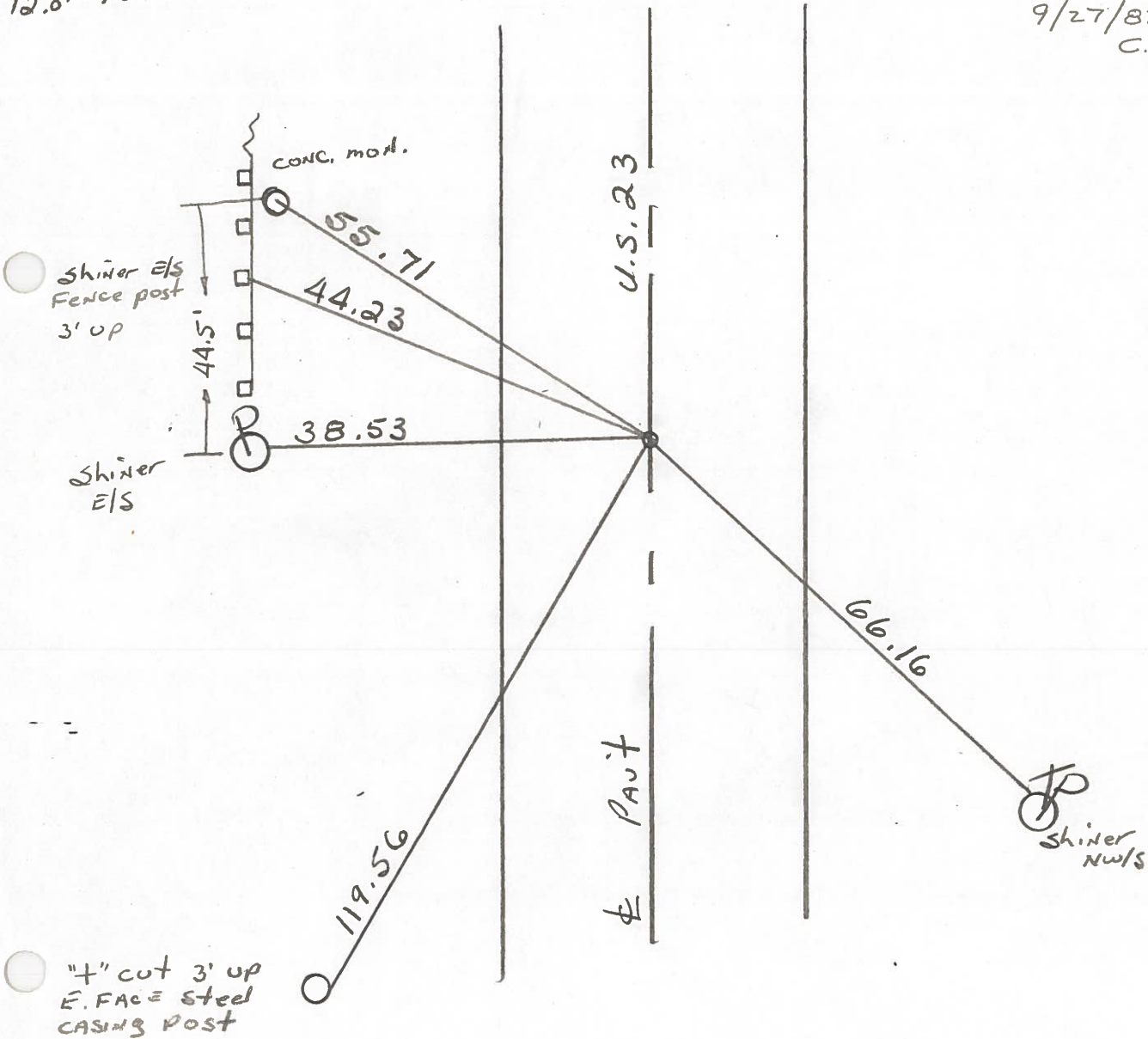


Fd. P.K. Nail @ surface @ ctr PAUT U.S.23

12.9' to W.E.P.

12.0' to E.E.P.

SET P.K/WASHER
9/27/83
C.L.



"4" cut 3' up
E. FACE steel
CASING POST

STA. 437 + 01.60 = New Survey Sta. 450 + 42.87 - Δ = 0° - 01' Lt ~ Rec.

PERSONNEL TITLE PERSONNEL TITLE COUNTY Wood DATE OK-7-17-70
PK, BY
SILVESTER
BURNSIDE
SMITH
 S. R. U.S #23 WEATHER _____
 SEC. _____ TEMP. _____

DESCRIPTION CONTROL TIES JOB NO. _____
 LEFT CENTER LINE RIGHT

<p>STA. 463+50.00 NEW SURVEY STA. = 476+91.17 $\Delta = 0^{\circ} - 00'$ S.E. COR. SEC. 13 R.R. SPK. OVER STONE SET P.K. Merrill Road. #383</p>	<p>#29</p>	<p>✓</p>							<p>"X" Top NORTH ABUTMENT E.S.E. 22.95' "X" Top SOUTH ABUTMENT S.E. 34.09 "X" Top NORTH ABUTMENT S.W. 43.66' "X" Top SOUTH ABUTMENT S.S.W. 56.80'</p>
<p>STA. 437+01.60 NEW SURVEY STA. = 450+42.87 $\Delta = 0^{\circ} 01' LT$ E. 1/4 Post SEC. 24 R.R. SPK. - SET P.K.</p>	<p>#382</p>	<p>#28</p>	<p>✓</p>						<p>SHINER IN P. POLE W. 38.56' SHINER IN T. POLE S.E. 66.20' MONUMENT N.W. 55.73' PAINTED "X" IRON COR. FENCE POST S.W. 119.45'</p>

PERSONNEL _____ TITLE _____ PERSONNEL _____ TITLE _____
 COUNTY Wood DATE ok 12-10-57
 S. R. #199 WEATHER _____
 SEC. _____ TEMP. _____

DESCRIPTION	LEFT	CENTER LINE	RIGHT	JOB NO.	
Sta. 410+53.05 New survey = 423+93.93 $\Delta = 0^\circ - 17' Lt.$ S.E. cor. sec. 24 Montgomery E.P. spike over stone - P.K. nail			N.E. cor. conc. walk R/W mon. R/W mon. R/W mon. S. end of corr. iron pipe S.W. Shiner in P.P. (Not plumb) X-in S. end conc. pipe	S.W. N.W. N.E. E. 24.96 E. N.E.	67.6 36.4 84.3 29.80 24.96 63.8 75.7
26 #381					
Sta. 437+01.60 New Survey = 450+42.87 $\Delta = 0^\circ - 01' Lt.$ E. 1/4 post Sec. 24 E.P. spike - P.K. nail			R/W mon. R/W mon. E.P. spike in T.P. E.P. spike in 15' gsh Shiner in P.P. Shiner in P.P. Painted X-on face iron corner fence post S.W.	W. E. S.E. S.W. W. N.E. S.W.	29.91 29.62 57.50 63.0 38.50 62.70 119.4
28 #382					
Sta. 463+50.00 New Survey = 476+91.17 $\Delta = 0^\circ - 00''$ S.E. cor. sec. 13 R.P. spike over stone (Ties gone)			R.P. spike in 36" E/m. X-in N.W. Cor. br. curb R/W mon. R/W mon. N.E. cor. br. curb	N.W. S.E. S.E. S.W. S.W.	103.4 18.10 39.80 41.75 33.30
29 #383					
Sta. 489+15.25 New survey = 502+56.32 $\Delta = 0^\circ - 00''$ R.P. spike on line			Shiner in 18' apple R/W mon. Well casing Shi. at 54.0 from well casing	N.W. W. S.W. N.E.	60.10 30.40 53.40 54.0
30 #384					