

O.D.O.T. DISTRICT 2 SURVEY OFFICE (USE ONLY)

PERSONNEL

REFERENCE NO. 36

SHEET 45 OF 46

NOTES RHOADES

DATE 4/20/22

ROUTE US 23

H.C. O'DONNELL

WEATHER SUNNY

COUNTY WOOD

R.C. KETNER

TEMP. 50°

TOWNSHIP MONTGOMERY

AUBLE

SECTION 1

DWG BY RHOADES

PID 102922

T 4 N R 12 E

TYPE MONUMENT LG.R.R.SPIKE

~~ON SURFACE~~ - BELOW 5"

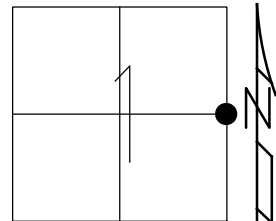
OFFSET \varnothing PAVEMENT 1.8' \perp : RT

10.6' TO RT EDGE PAVEMENT

STATION: 609+19.32

HORZ.DATUM: NAD83(2011)

GEOID: NAVD88 2018

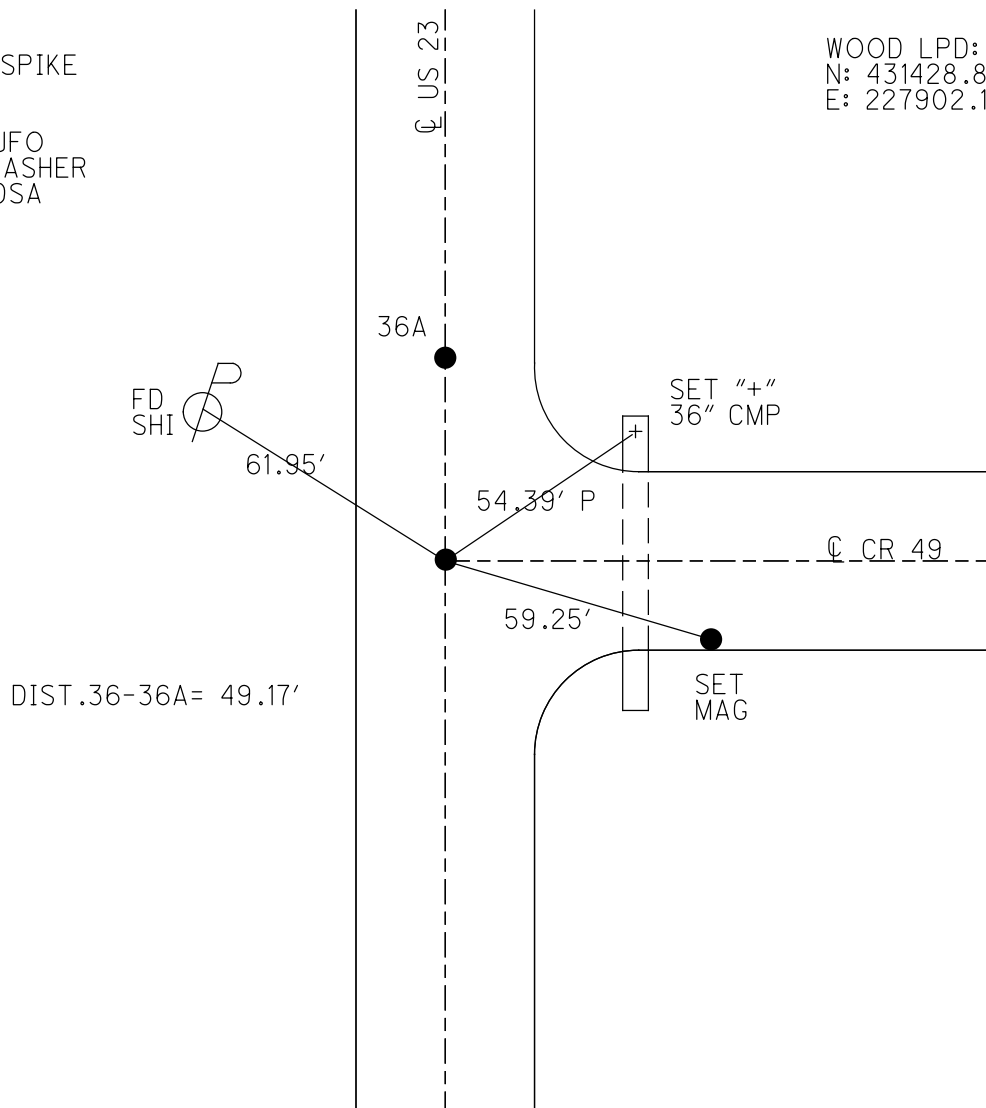


GRID: NORTHING: 608740.357

EASTING: 1716544.913

RECORD:
FD LG.R.R.SPIKE
5" DOWN
REF36
3/24/20, JFO
SET MAG/WASHER
9/26/22, DSA

WOOD LPD:
N: 431428.838
E: 227902.125

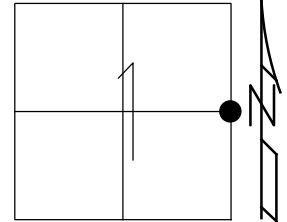


O.D.O.T. DISTRICT 2 SURVEY OFFICE (USE ONLY)

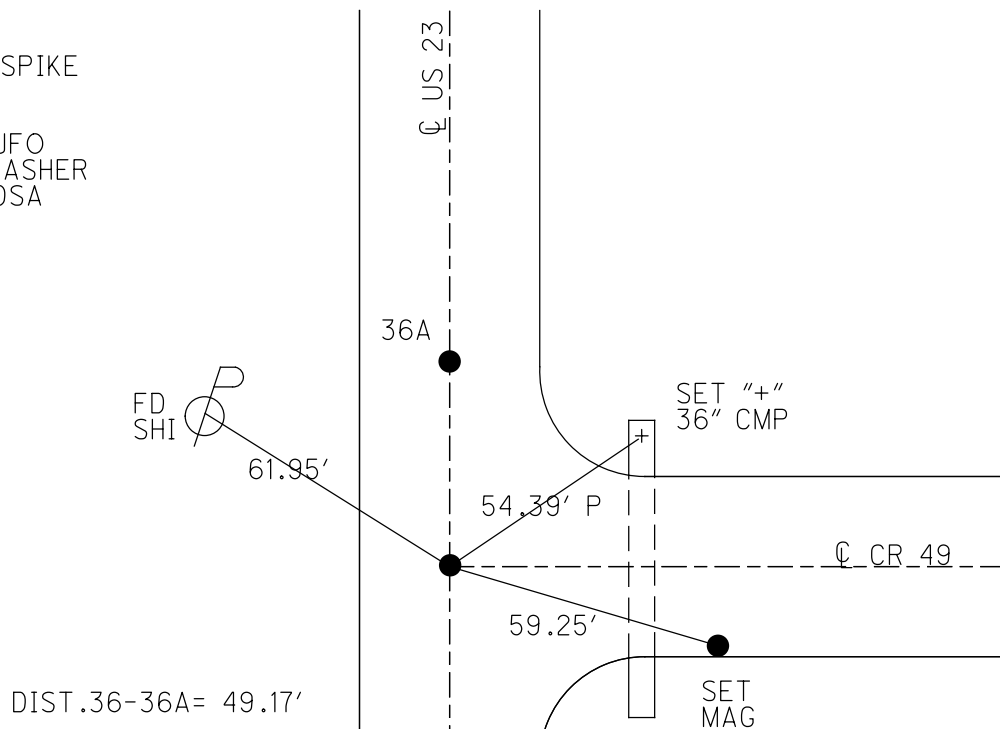
PERSONNEL _____ REFERENCE NO. 36 SHEET 45 OF 46
 NOTES RHOADES DATE 4/20/22 ROUTE US 23
 H.C. O'DONNELL WEATHER SUNNY COUNTY WOOD
 R.C. KETNER TEMP. 50° TOWNSHIP MONTGOMERY
AUBLE
 DWG BY RHOADES PID 102922 SECTION 1
T 4 N R 12 E

TYPE MONUMENT LG.R.R.SPIKE
~~ON SURFACE~~ - BELOW 5"
 OFFSET \bar{C} PAVEMENT 1.8' LT : RT
10.6' TO RT EDGE PAVEMENT
 STATION: 609+19.32

HORIZ.DATUM: NAD83(2011) GEOID: NAVD88 2018
 GRID: NORTHING: 608740.357 EASTING: 1716544.913



RECORD:
 FD LG.R.R.SPIKE
 5" DOWN
 REF36
 3/24/20, JFO
 SET MAG/WASHER
 9/26/22, DSA



DIST.36-36A= 49.17'