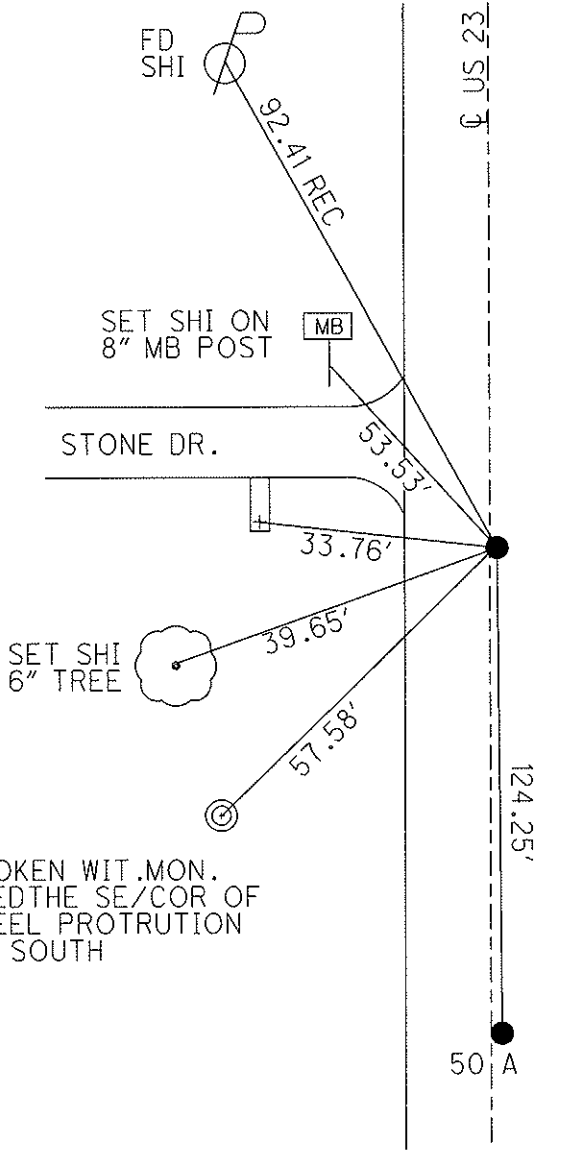
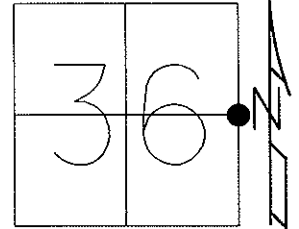


O.D.O.T. DISTRICT 2 SURVEY OFFICE (USE ONLY)

PERSONNEL	REFERENCE NO. <u>51</u>	SHEET <u>4</u> OF <u>13</u>
NOTES <u>HUSS</u>	DATE <u>4/20/12</u>	ROUTE <u>US 23</u>
H.C. <u>CANTERBURY</u>	WEATHER <u>CLEAR</u>	COUNTY <u>WOOD</u>
R.C. <u>HOMAN</u>	TEMP. <u>62°</u>	TOWNSHIP <u>TROY</u>
		SECTION <u>36</u>
		T <u>6</u> N R <u>12</u> E

TYPE MONUMENT R.R.SPIKE
~~ON SURFACE~~ - BELOW 2"
 LEFT - Q PAV'T - ~~RIGHT~~ 0.7'
10.7' TO LT EDGE PAVEMENT
 S.L.M. 979+72
 Grid: Northing: 645703.3 Easting: 1717522.0



SET R.R.SPIKE TO SURFACE, 6/15/90, DJC
 FD SM.R.R.SPIKE 7/2/10, MC
 GPS, CP51 8/10/10
 RESET MAG/WASHER 3/12/13. GPS, FIN51 3/13/13, MRC

BROKEN WIT.MON. USED THE SE/COR OF STEEL PROTRUTION TO SOUTH

50 A

O.D.O.T. DISTRICT 2 SURVEY OFFICE

PERSONNEL

REFERENCE NO. 50-A 51

SHEET 3 OF 10

NOTES 1, Stone

H.C. D. Curtis

DATE 3 May 90

ROUTE US #23

R.C. J. Hauschalter

WEATHER Cloudy

COUNTY Wood

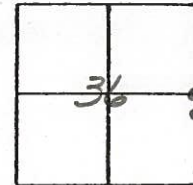
TEMP. 60°

TOWNSHIP Troy

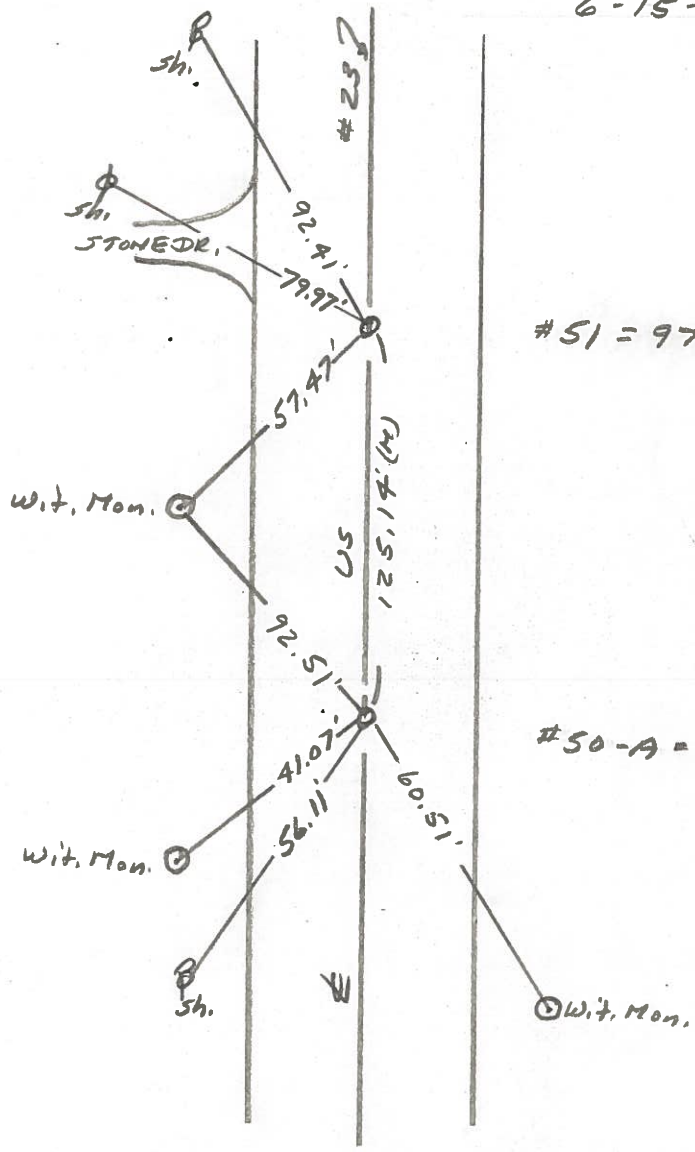
SECTION 36

T ___ R ___

TYPE MONUMENT RR Spk.
 ON SURFACE - BELOW 2" deep (both)
 LEFT - & PAV'T. - RIGHT _____
 _____ TO _____ EDGE PAVEMENT
 S.L.M. _____



SET R.R. SPK'S TO SURFACE
 6-15-90 D/C



#51 = 979+72

#50-A = 978+47

OD.O.T. DISTRICT 2 SURVEY OFFICE

Sht. 3 of 7
U.S. 23

County Wood - SAN.

Date 9-8-77

Township TROY

Weather CLEARING

Section 36

Temp. +78°

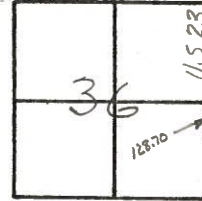
T6N, R12E

Personnel BURNSIDE

SMITH

BOWERS

KNAPE



P.I. STA. 978+99.10 **51**
 $\Delta = 0^\circ 12' LT.$
FD. P.K. NAIL
@ SURFACE

E. & W. INTERIOR LINE
SEC. 36
SHI. IN
12" ELM

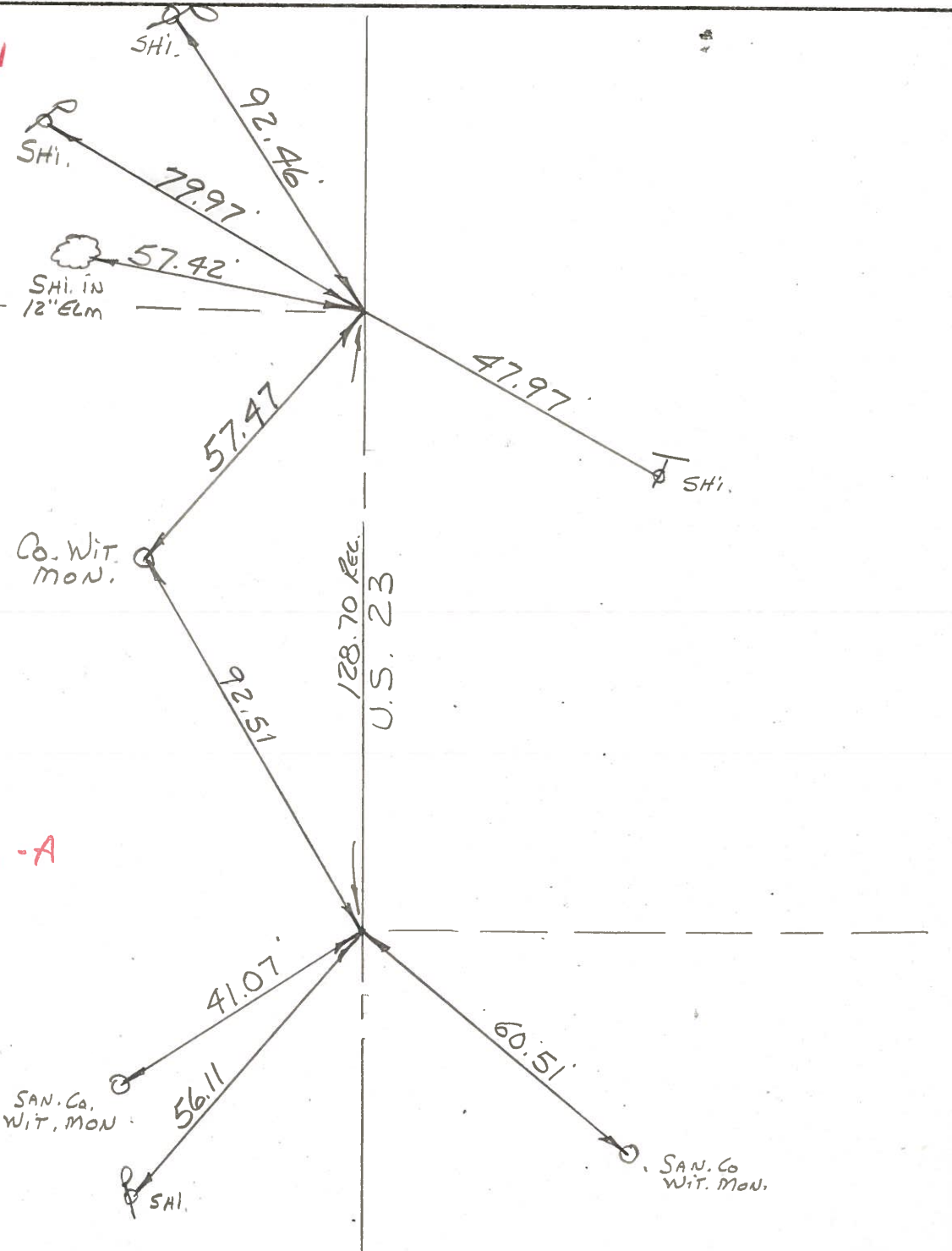
SAN Co. Wit.
MON.

50-A

FD. R.R. SPK.
@ SURFACE

SAN. Co.
WIT. MON.

SAN. Co.
WIT. Mon.



PERSONNEL	TITLE	PERSONNEL	TITLE	COUNTY	DATE
Sworder	Notes	Rice		San-Woo	6-30-60
Cronin				S. R. #199	WEATHER Clear
Hulcombe				SEC. U.S.#6 to U.S.#20	TEMP +80°
Sago					

DESCRIPTION Tie for Control Points JOB NO. _____

