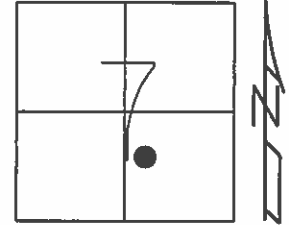


O.D.O.T. DISTRICT 2 SURVEY OFFICE (USE ONLY)

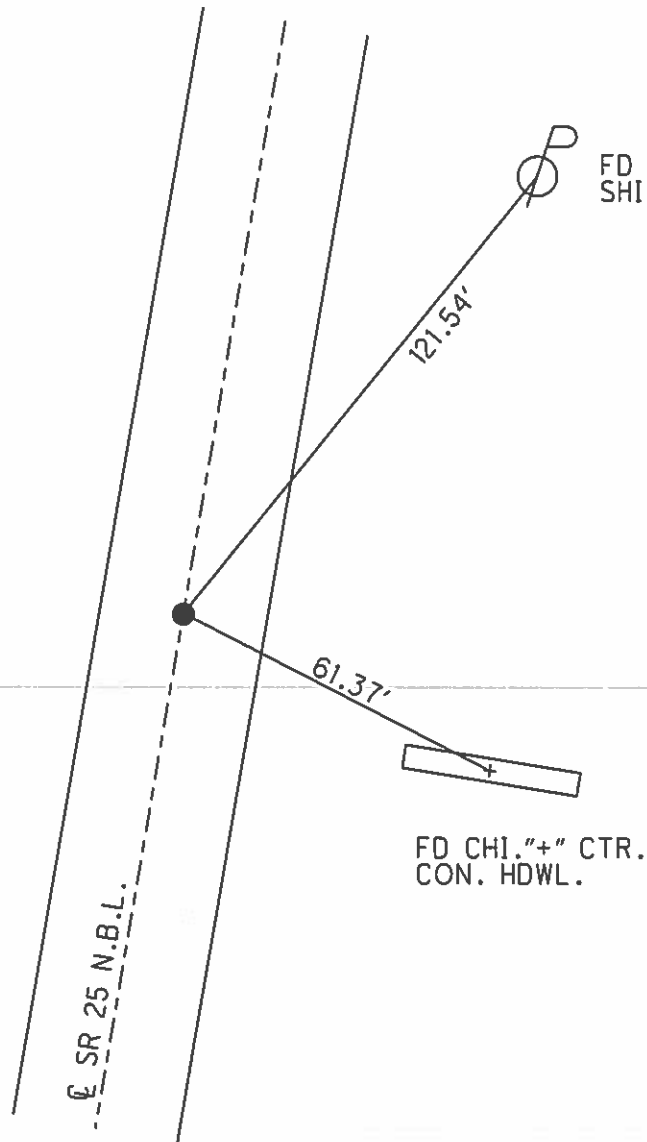
PERSONNEL	REFERENCE NO.	<u>53</u>	SHEET	<u>1</u>	OF	<u>6</u>
NOTES	<u>RHOADES</u>	DATE	<u>4/9/14</u>	ROUTE	<u>SR 25</u>	
H.C.	<u>ROUSOS</u>	WEATHER	<u>CLEAR</u>	COUNTY	<u>WOOD</u>	
R.C.	<u>HOMAN</u>	TEMP.	<u>41°</u>	TOWNSHIP	<u>PERRYSBURG</u>	
	<u>GABLE</u>			SECTION	<u>7</u>	
				T	<u>4</u>	R
					<u>N</u>	<u>E</u>

TYPE MONUMENT P.K.NAIL
 ON SURFACE - ~~BELOW~~ ON
 LEFT - ☉ PAV'T - RIGHT -
 - TO - EDGE PAVEMENT
 S.L.M. 1133+29.35

Grid: Northing: 685229.101 Easting: 1658000.461



RECORD:
 FD P.K.NAIL
 4/22/91, I.S.
 SET P.K.NAIL
 6/6/91, DJC
 GPS, REF53
 4/9/14, DCH



O.D.O.T. DISTRICT 2 SURVEY OFFICE

PERSONNEL

REFERENCE NO. 53

SHEET 23 OF 29

NOTES L. Stone

H.C. D. Curtis

R.C. J. Hausholder

DATE 22 April 91

WEATHER Cloudy

TEMP. 49°

ROUTE SR #25

COUNTY Wood

TOWNSHIP Perrysburg

SECTION _____

T _____ R _____

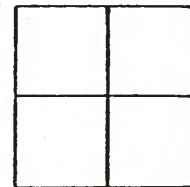
TYPE MONUMENT PK Nail

ON SURFACE - BELOW Surface

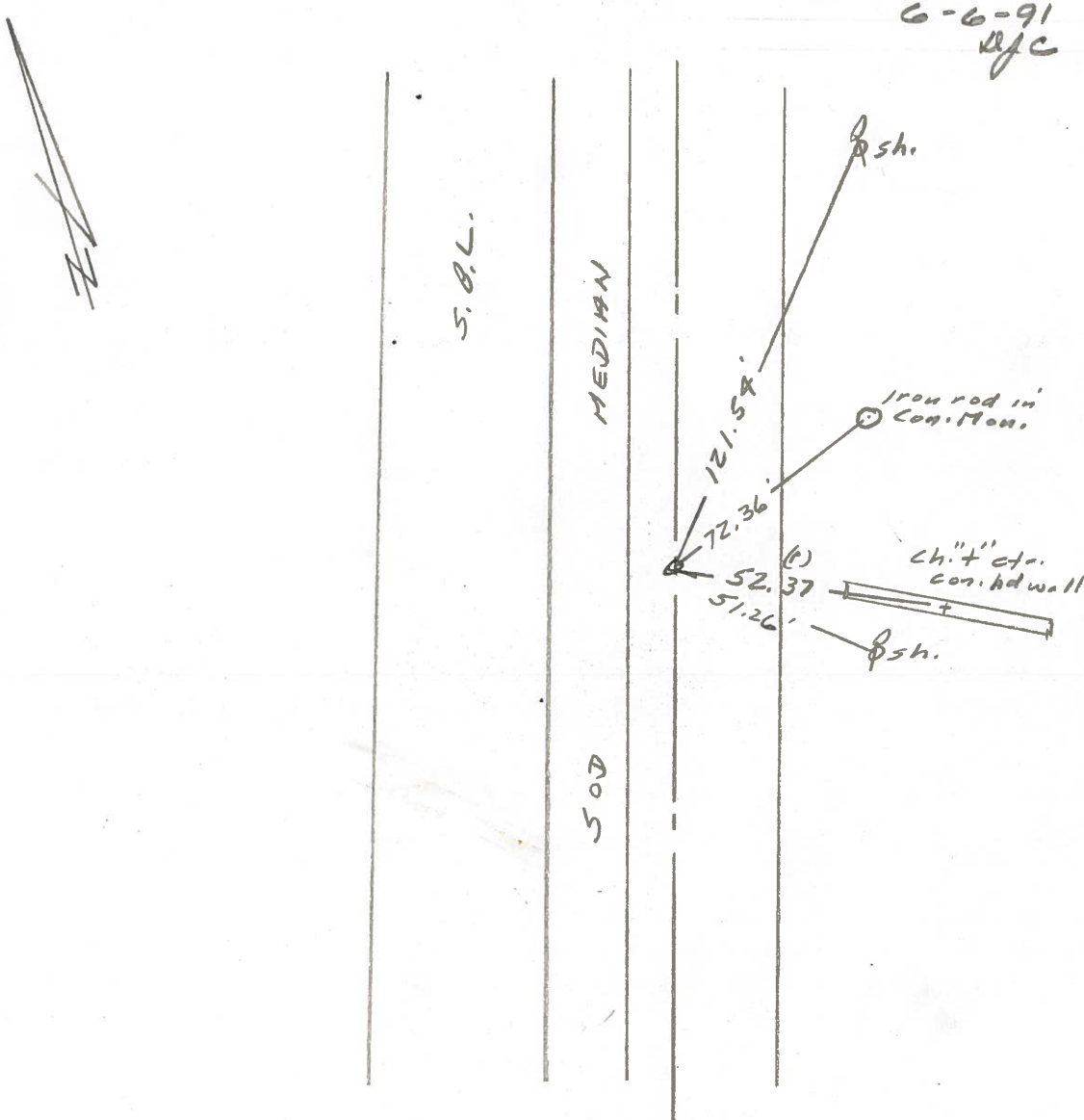
LEFT- & PAV'T. - RIGHT _____

_____ TO _____ EDGE PAVEMENT

S.L.M. 1134+93



SET P.K. NAIL TO SURFACE
6-6-91
DJC



County Wood S.R. 25

Township Perrysburg

Section @ Perrysburg

T1N, R1E

Personnel HOFFMAN

Householder

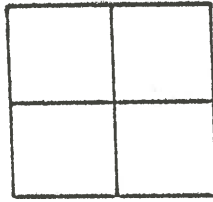
Loehrke

53

Date 11-20-81

Weather cloudy

Temp. +35°

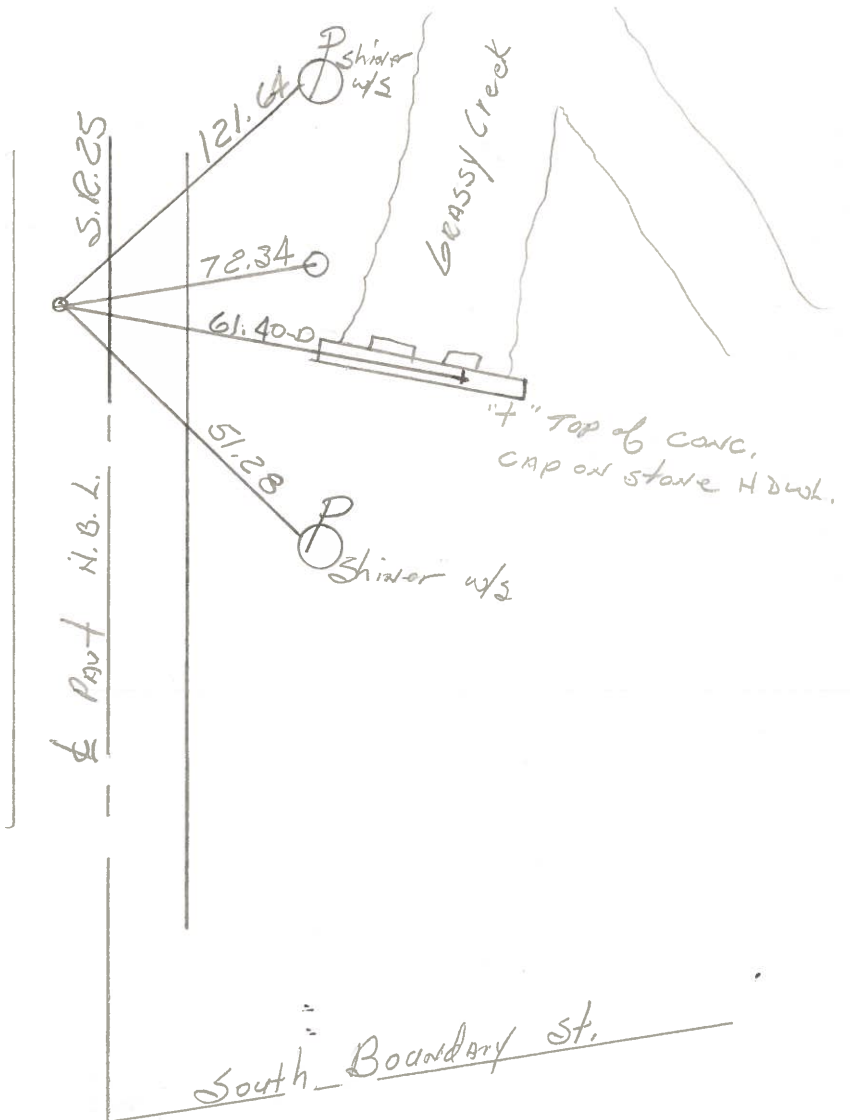


Fd. P.K. @ surface
5.8' W. of & N.B. to S.E. 25

Project STA ± 1135+32

Sta. 573+04.06
Δ = 0°-28' Lt Rec.

SET P.K./WASHER
B-5-B3
S.W.H.



PERSONNEL TITLE PERSONNEL TITLE

COUNTY Wood DATE 3-28-60

S. R. 11.S. #25 WEATHER

SEC. TEMP.

DESCRIPTION Mobora Mon. JOB NO.

LEFT CENTER LINE RIGHT

<p>Sta. 554+08.48 $\Delta = 0^\circ - 04' L$ <u>Set new mon</u> Eckel Jct. Rd. #282</p>			<p>E to "X" on Ring of Bell system M.H. 14.4 S.S.W. to x-on S.E. Cor. top #26 CB. 31.78 S.E. to shiner in P.P. 27.4 W.N.W. to shiner in T.P. 68.1 N.E. To 3" Gas pipe 1' above Gr. 66.45 N.N.E. to shiner P. Pole 103.64</p>
<p>Sta. 573+04.06 $\Delta = 0^\circ 28' L$ <u>Set mon.</u> #283</p>			<p>E.S.E. to x-on top End Stone hdwl 73. S.S.E. to shiner in N. Sign upright 77. N.E. to shiner in P.P. 48.6 S.S.E. to shiner in P. Pole 51.07 S.E. to "X" on top Hdwl (Center) 61.30 N.E. to Bolt in Conc. P/L Marker 72.19</p>
<p>Sta. 581+29.07 $\Delta = ?$ Iron pin #284</p>	<p>(Did Not Find) 3/28/60</p>		<p>S.E. to x N.W. side well curb 56.7 N.E. to shiner in 28" Locust 38.8 N.N.E. to shiner in 24" Hackberry 60.4</p>
<p>Sta. 581+34.42 $\Delta = 34^\circ 20' L$ <u>Set mon.</u> #285</p>			<p>S.E. to x N.W. side well curb 58.95 N.E. to shiner in 28" Locust 35.00 N.N.E. to shiner in 24" Hackberry 56.00 S.E. to shiner 14" Maple 44.68 N.N.E. to shiner 24" Maple 76.10 N.E. to shiner in 24" Hackberry 55.9</p>

52

53

54