

O.D.O.T. DISTRICT 2 SURVEY OFFICE (USE ONLY)

PERSONNEL

REFERENCE NO. 0

SHEET 1 OF 4

NOTES O'DONNELL

DATE 9/13/19

ROUTE SR 64

H.C. -----

WEATHER -----

COUNTY WOOD

R.C. -----

TEMP. -----

TOWNSHIP CENTER

SECTION 20

DWG BY BALBAUGH PID 101007

T 5 N R 11 E

TYPE MONUMENT CMON

ON SURFACE - BELOW -

OFFSET \odot PAVEMENT - LT : RT

- TO - EDGE PAVEMENT

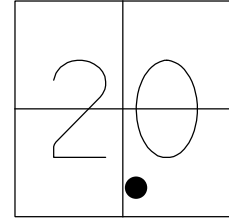
STATION: 20+38.08

HORZ. DATUM: NAD83(2011)

GEOID: 2012A

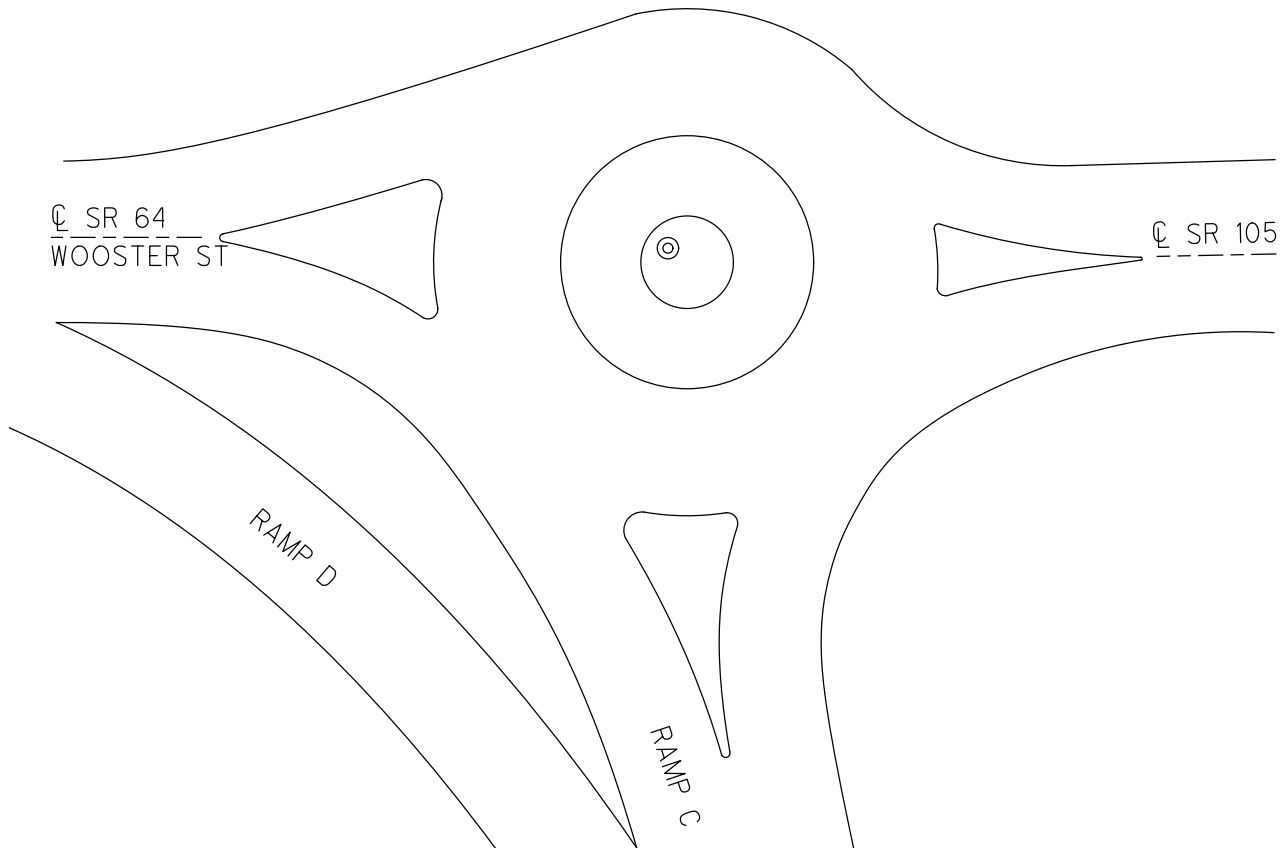
GRID: NORTHING: 624134.539

EASTING: 1662801.316



RECORD:
FD CMON
REFA1
9/13/19, JFO

NOTE: SR 105 REF A



O.D.O.T. DISTRICT 2 SURVEY OFFICE

PERSONNEL

REFERENCE NO. 01

SHEET OF

NOTES Hoffman

H.C. LOBARZE

DATE 4-7-88

ROUTE SR 64

R.C. BARNHISEL

WEATHER OVERCAST

COUNTY WOOD

ROED

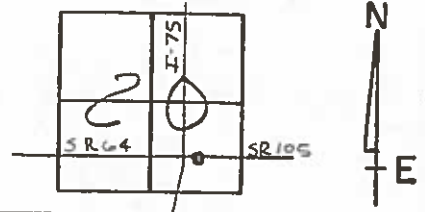
TEMP. 42°

TOWNSHIP Center

SECTION 20

T5 N R 11 E

TYPE MONUMENT Monument Box
 ON SURFACE - BELOW YES
 LEFT- & PAV'T. - RIGHT 10.5' Lt & Pavt E.B.L.
 TO EDGE PAVEMENT
 S.L.M. 16 + 93



NOTE: DID NOT OPEN MON. BOX

