

O.D.O.T. DISTRICT 2 SURVEY OFFICE (USE ONLY)

PERSONNEL

REFERENCE NO. 3 E

SHEET 10 OF 24

NOTES HOFFMAN

DATE 4/6/88

ROUTE SR 64

H.C. LOEHRKE

WEATHER OVERCAST

COUNTY WOOD

R.C. BARNHISEL

TEMP. 60°

TOWNSHIP CENTER

SECTION 19

DWG BY NIESE PID _____

T 5 N R 11 E

TYPE MONUMENT P.K.NAIL

ON SURFACE - ~~BELOW~~ ON

OFFSET \varnothing PAVEMENT ON LT : RT

15.8' TO LT EDGE PAVEMENT

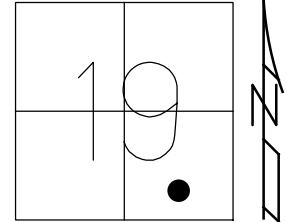
STATION: 69+54

HORZ.DATUM: _____

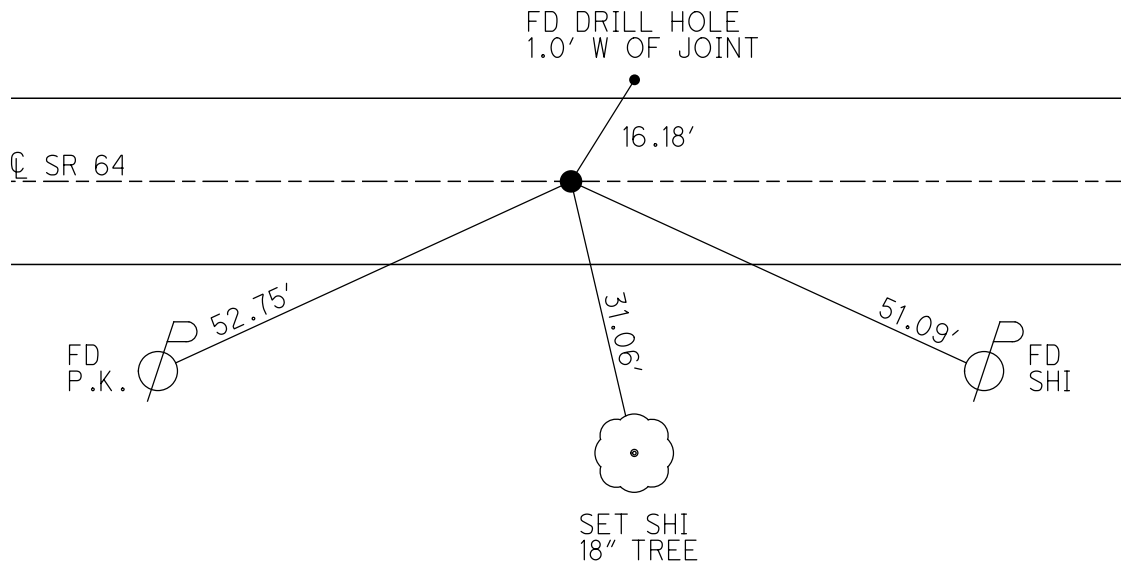
GEOID: _____

GRID: NORTHING: _____

EASTING: _____



RECORD:
P.K.NAIL
SET BY CITY
4/26/84
FD P.K.NAIL
4/6/88, CL
SET P.K./WASHER
6/10/88, SWN



O.D.O.T. DISTRICT 2 SURVEY OFFICE

PERSONNEL _____

REFERENCE NO. 3E

SHEET _____ OF _____

NOTES HOFFMAN

H.C. LOENHKE

DATE 4-6-88

ROUTE SR 69

R.G. BARNTISSEL

WEATHER OVERCAST

COUNTY HENRY

TEMP. 60°

TOWNSHIP Center

SECTION 19

T S N R 11 E

TYPE MONUMENT P.K.

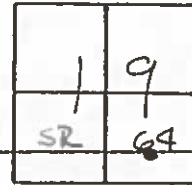
*Set P.K./washer
6-10-88 SWH*

ON SURFACE - BELOW YES

LEFT- & PAV'T. - RIGHT YES

15.8 TO LT. EDGE PAVEMENT

S.L.M. 69 + 54



Note: P.K. set by City
@ Δ on Wooster st.
ON PLAT LINE BTW
BALDWIN & WILLIAMS
REF TIES 4-26-84

