

O.D.O.T. DISTRICT 2 SURVEY OFFICE (USE ONLY)

PERSONNEL

REFERENCE NO. 3 B

SHEET 18 OF 40

NOTES RHOADES

DATE 3/29/22

ROUTE SR 65

H.C. NIESE

WEATHER CLEAR

COUNTY WOOD

R.C. KETNER

TEMP. 27°

TOWNSHIP GRAND RAPIDS

AUBLE, O'DONNELL

SECTION 8

DWG BY RHOADES

PID 95796

T 5 N R 9 E

TYPE MONUMENT MAG/WASHER

ON SURFACE - ~~BELOW~~ ON

OFFSET  $\oslash$  PAVEMENT 0.5' ~~LT~~ : RT

10.4' TO LT EDGE PAVEMENT

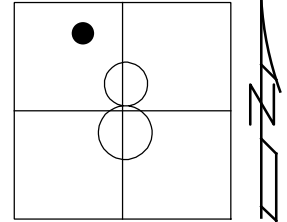
STATION: 76+25.87

HORIZ.DATUM: NAD83 2011

GEOID: NAVD88 2018

GRID: NORTHING: 639091.829

EASTING: 1596193.224



RECORD:

FD P.K./WASHER

6/18/04, DCH

SET MAG/WASHER

9-20-04, RGN

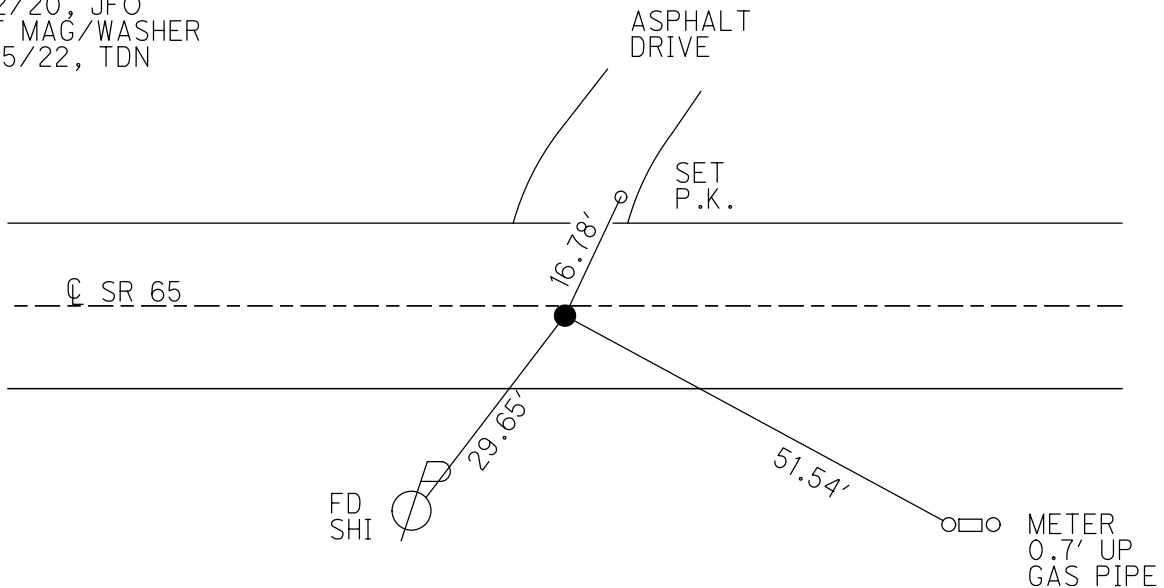
FD MAG/WASHER

REFB3

11/2/20, JFO

SET MAG/WASHER

10/5/22, TDN



O.D.O.T. DISTRICT 2 SURVEY OFFICE (USE ONLY)

PERSONNEL

REFERENCE NO. 3 B

SHEET 1 OF 23

NOTES HUSS

DATE 6/18/04

ROUTE SR 65

H.C. HOMAN

WEATHER CLOUDY

COUNTY WOOD

R.C. ADKINS

TEMP. 78° F

TOWNSHIP GRAND RAPIDS

DWG BY AUBLE

PID \_\_\_\_\_

SECTION 8

T 5 N R 9 E

TYPE MONUMENT P.K./WASHER

ON SURFACE - ~~BELOW~~ ON

OFFSET ☉ PAVEMENT 0.5' ~~LT~~ : RT

10.4' TO LT EDGE PAVEMENT

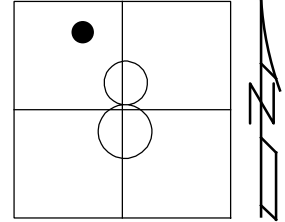
STATION: 76+32

HORZ.DATUM: -

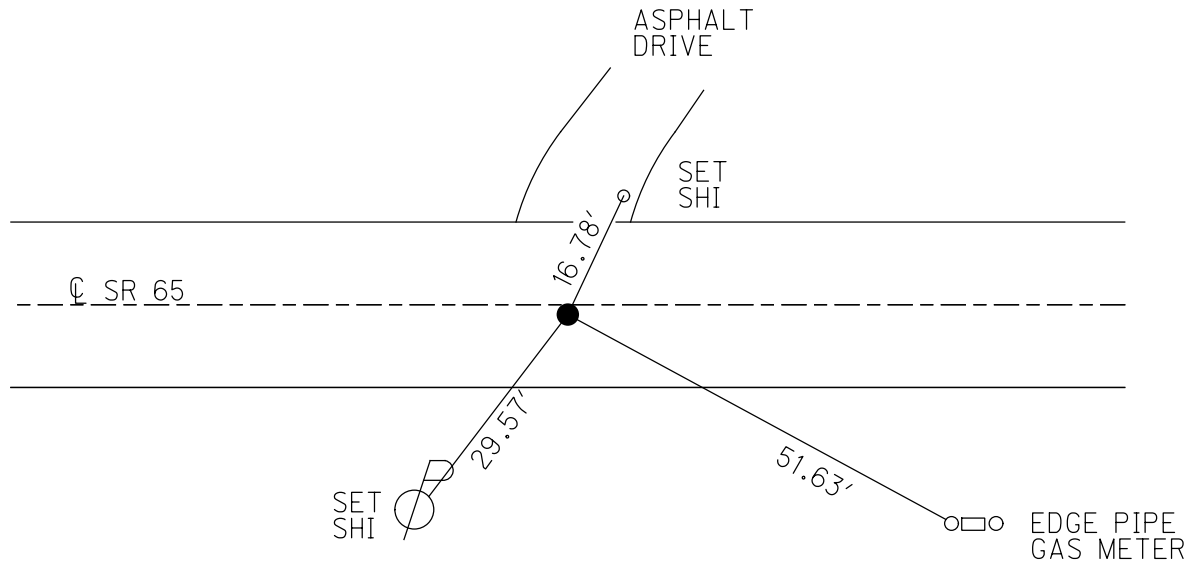
GEOID: -

GRID: NORTHING: -

EASTING: -



RECORD:  
 FD P.K./WASHER  
 6/18/04, DCH  
 SET MAG/WASHER  
 9-20-04, RGN



# O.D.O.T. DISTRICT 2 SURVEY OFFICE

PERSONNEL

REFERENCE NO. 3-B

SHEET 13 OF 49

NOTES Huss

H.C. Homan

R.C. Adkins

DATE 6-18-04

WEATHER Cldy

TEMP. +78°F

ROUTE S.R. 65

COUNTY Wood

TOWNSHIP Grand Rapids

SECTION 8

T 5 N R 9 E

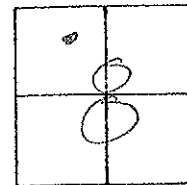
TYPE MONUMENT PK/W

~~ON SURFACE~~ ~~BELOW~~ Surf.

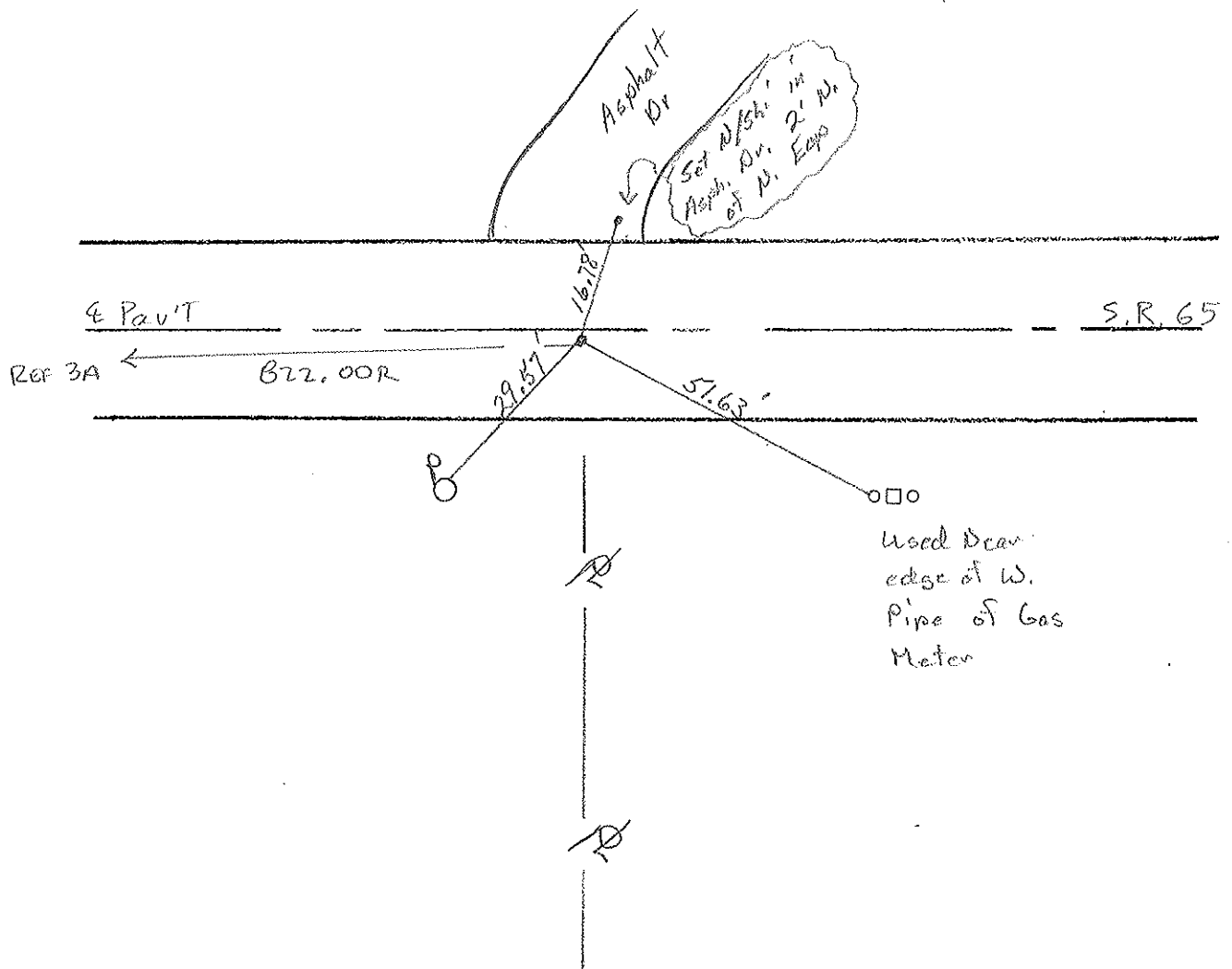
~~LEFT~~ ~~PAV'T.~~ RIGHT 0.50

10.4 TO Lt. EDGE PAVEMENT

S.L.M. 76 + 32



Set Mag/Wash  
9-20-04  
RGN



# O.D.O.T. DISTRICT 2 SURVEY OFFICE

PERSONNEL \_\_\_\_\_

REFERENCE NO. 3-B

SHEET 9 OF 12

NOTES HOFFMAN

H.C. LOEHLKE

DATE 9-11-89

ROUTE SR 65

R.C. \_\_\_\_\_

WEATHER CLEAR

COUNTY WOOD

\_\_\_\_\_

TEMP. 72°

TOWNSHIP GRAND RAPIDS

\_\_\_\_\_

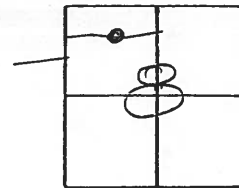
SECTION 8

T.S. N 9 E

TYPE MONUMENT P.K. NAIL

Set P.K./WASHER  
11-21-89  
SWK

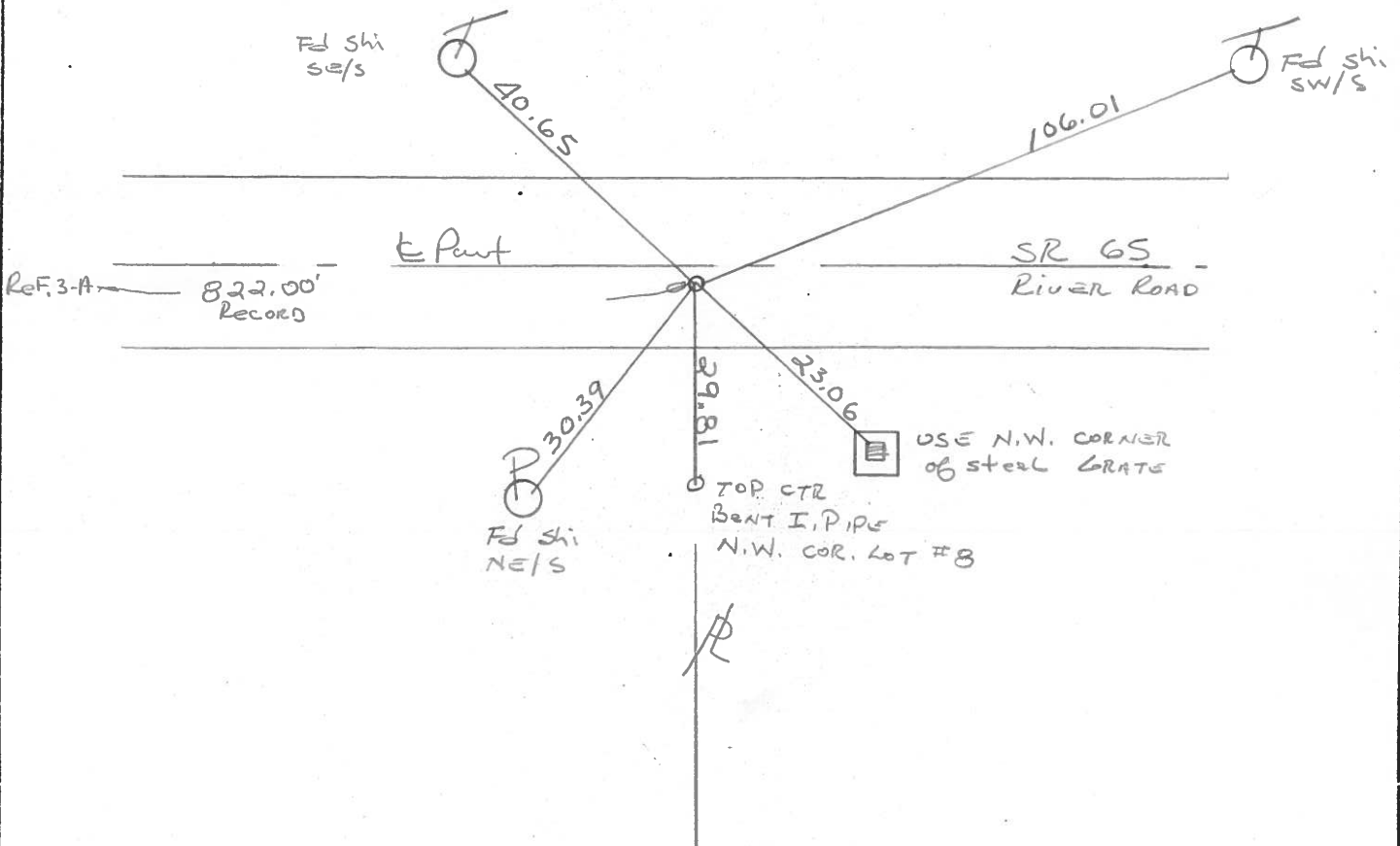
~~ON SURFACE~~ - BELOW 4"



~~LEFT~~ - ~~PAV'T.~~ - RIGHT 0.5

10.3 TO RT. EDGE PAVEMENT

S.L.M. 76+28



PERSONNEL	TITLE	PERSONNEL	TITLE
BURNSIDE		BAGDONAS	
SMITH			
BOWERS			
KIOWSKI			

COUNTY WOOD DATE 7-17-73  
 S. R. 65 WEATHER CLEAR  
 SEC. GRAND RAPIDS TEMP. +85°

DESCRIPTION \_\_\_\_\_ LEFT \_\_\_\_\_ CENTER LINE \_\_\_\_\_ RIGHT \_\_\_\_\_ JOB NO. \_\_\_\_\_

