

O.D.O.T. DISTRICT 2 SURVEY OFFICE (USE ONLY)

PERSONNEL

REFERENCE NO. 3 D

SHEET 20 OF 40

NOTES RHOADES DATE 3/28/22
 H.C. NIESE WEATHER CLEAR
 R.C. KETNER TEMP. 28°
AUBLE, O'DONNELL

ROUTE SR 65
 COUNTY WOOD
 TOWNSHIP GRAND RAPIDS
 SECTION 8
T 5 N R 9 E

DWG BY RHOADES PID 95796

TYPE MONUMENT MAG/WASHER

ON SURFACE - ~~BELOW~~ ON

OFFSET ☉ PAVEMENT 1.5' ~~±~~ : RT

9.8' TO RT EDGE PAVEMENT

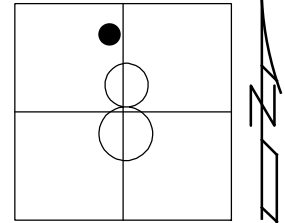
STATION: 80+32.9

HORIZ.DATUM: NAD83 2011

GEOID: NAVD88 2018

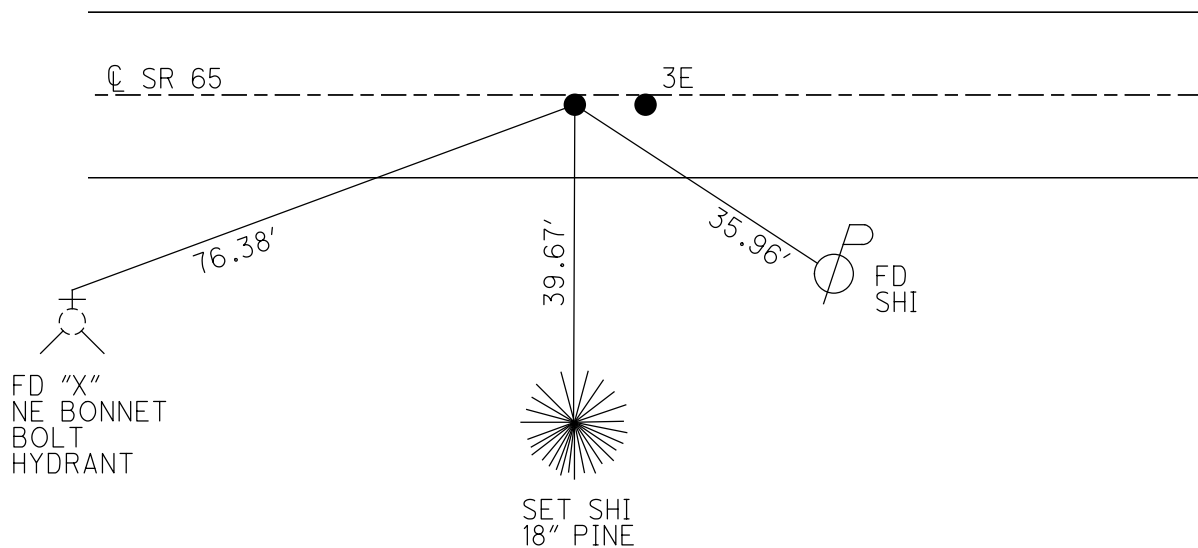
GRID: NORTHING: 639049.263

EASTING: 1596598.022



RECORD: P.C.
 STA.12+30.24
 1931 PLAN
 $\Delta = 34^\circ 52'$
 FD P.K./WASHER
 6/18/04, DCH
 SET MAG/WASHER
 9-20-04, RGN
 FD MAG/WASHER
 REFD3
 3/28/22, JFO
 SET MAG/WASHER
 10/5/22, TDN

DIST.3D-3E= 10.16'



O.D.O.T. DISTRICT 2 SURVEY OFFICE (USE ONLY)

PERSONNEL

REFERENCE NO. 3 D

SHEET 3 OF 23

NOTES HUSS

DATE 6/18/04

ROUTE SR 65

H.C. HOMAN

WEATHER CLOUDY

COUNTY WOOD

R.C. ADKINS

TEMP. 78° F

TOWNSHIP GRAND RAPIDS

SECTION 8

DWG BY AUBLE

PID _____

T 5 N R 9 E

TYPE MONUMENT P.K./WASHER

ON SURFACE - ~~BELOW~~ ON

OFFSET ☉ PAVEMENT 1.0' ± : RT

9.8' TO RT EDGE PAVEMENT

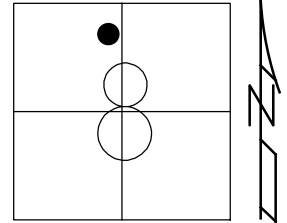
STATION: 80+37

HORZ. DATUM: _____ - _____

GEOID: _____ - _____

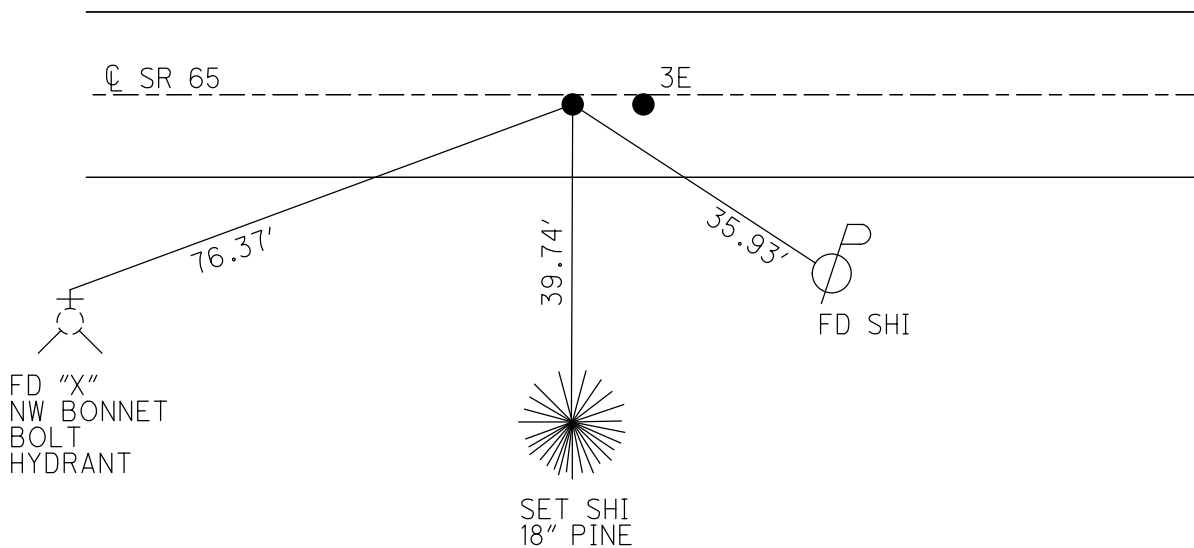
GRID: NORTHING: _____ - _____

EASTING: _____ - _____



RECORD: P.C.
 STA. 12+30.24
 1931 PLAN
 $\Delta = 34^\circ 52'$
 FD P.K./WASHER
 6/18/04, DCH
 SET MAG/WASHER
 9-20-04, RGN

DIST. 3D-3E = 10.16'



O.D.O.T. DISTRICT 2 SURVEY OFFICE

PERSONNEL

REFERENCE NO. 3-D

SHEET 15 OF 49

NOTES Huss

H.C. Homan

R.C. Adkins

DATE 6-18-04

WEATHER Cl'dy

TEMP. 78°F

ROUTE S.R. 65

COUNTY Wood

TOWNSHIP Grand Rapids

SECTION 8

T5 N R 9 E

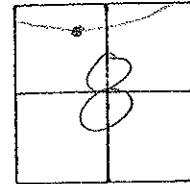
TYPE MONUMENT PK/W

~~ON SURFACE~~ - ~~BELOW~~ Surface

~~NEFT/NO PAINT~~ - RIGHT 1' Rt.

9.8' TO Rt. EDGE PAVEMENT

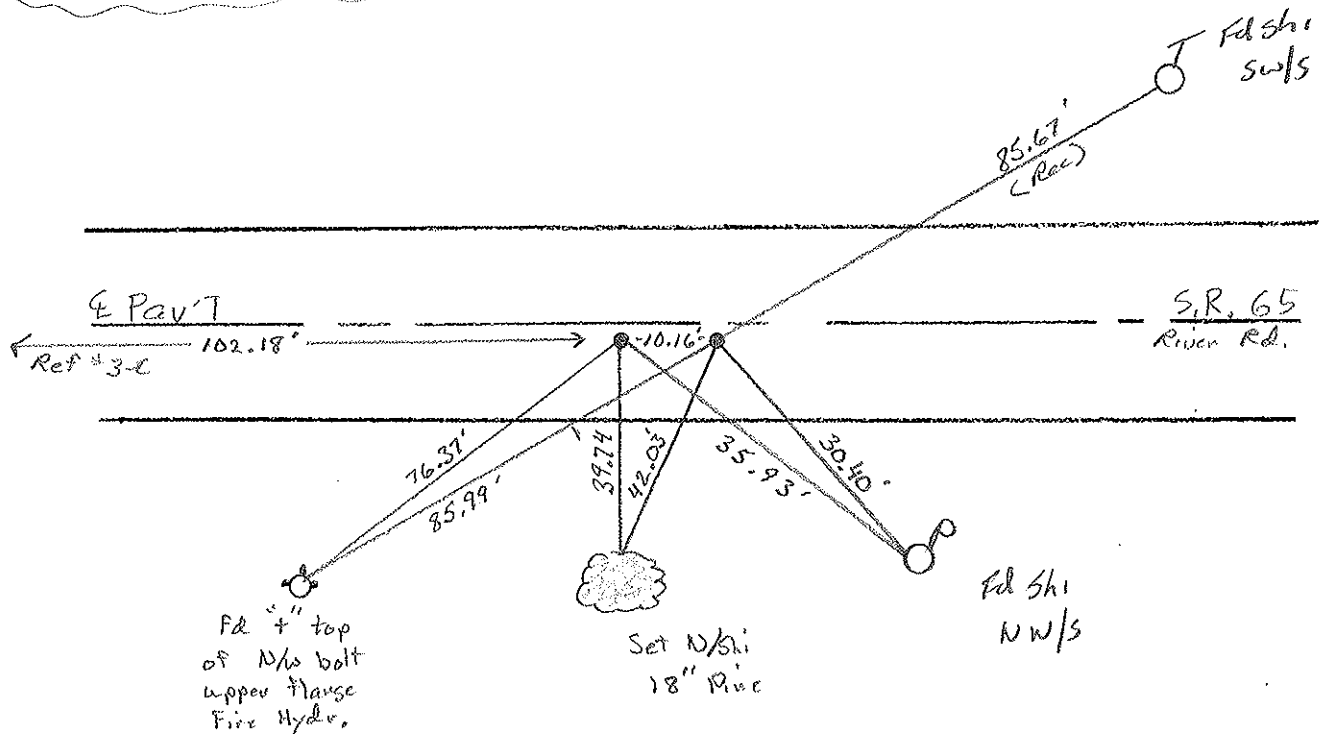
S.L.M. 80+37



Record:

P.C. (12+30.24 Plan of 1931)
 $\Delta = 34^\circ - 52'$ $E = 55.17'$
 $D = 5^\circ - 00'$ $L = 677.33'$
 $T = 359.95'$ $R = 1146.28'$

Set Mag/W
 9-20-04
 RBW



O.D.O.T. DISTRICT 2 SURVEY OFFICE

PERSONNEL _____

REFERENCE NO. 3-D

SHEET 11 OF 12

NOTES HOFFMAN

H.C. LOEHLKE

DATE 9-11-89

ROUTE SR 65

R.C. _____

WEATHER CLEAR

COUNTY WOOD

TEMP. 78°

TOWNSHIP Grand Rapids

SECTION 8

T5 N R 9 E

TYPE MONUMENT SMALL R.R. SPIKE

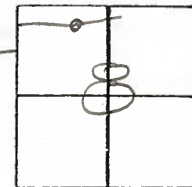
~~ON-SURFACE~~ - BELOW 1 1/2"

Set P.K./WASHER
11-21-89
SWH

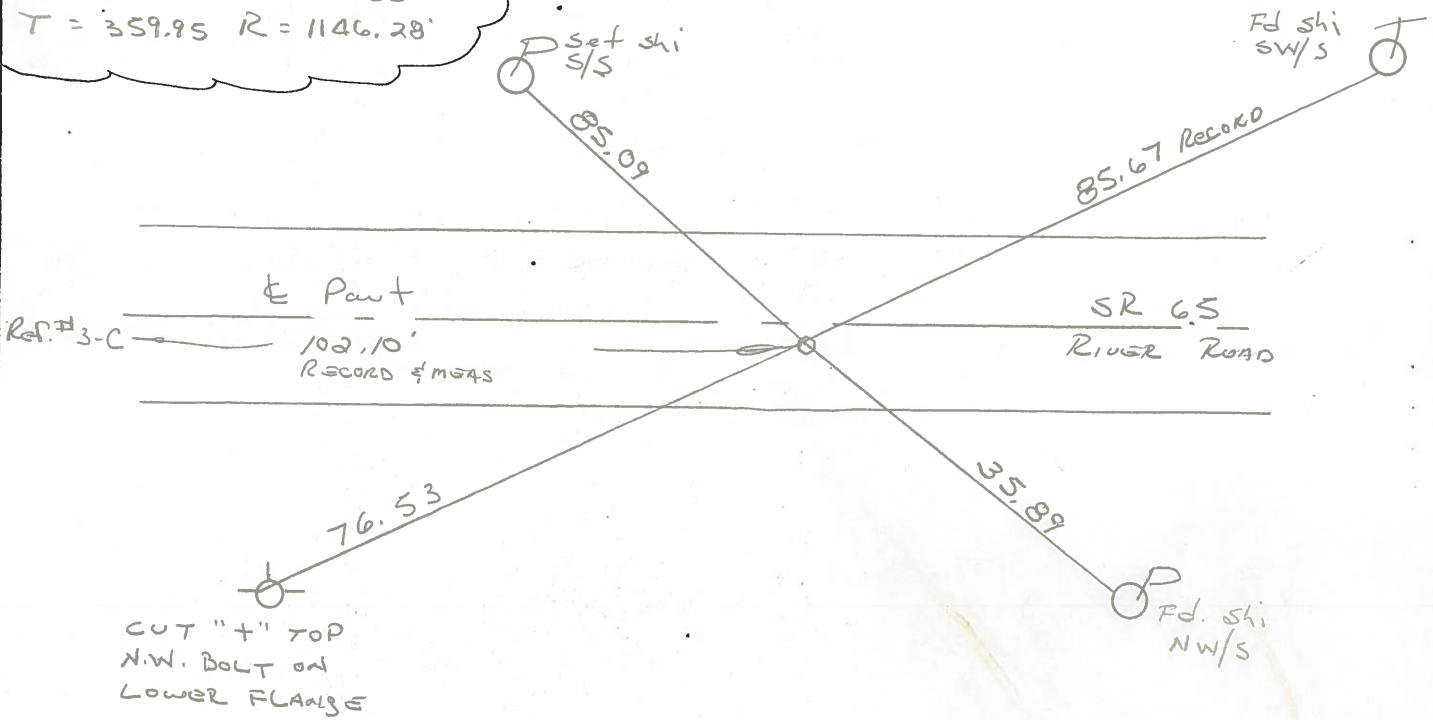
~~LEFT-C~~ PAV'T. - RIGHT 0.6'

9.3 TO RT EDGE PAVEMENT

S.L.M. 80+37



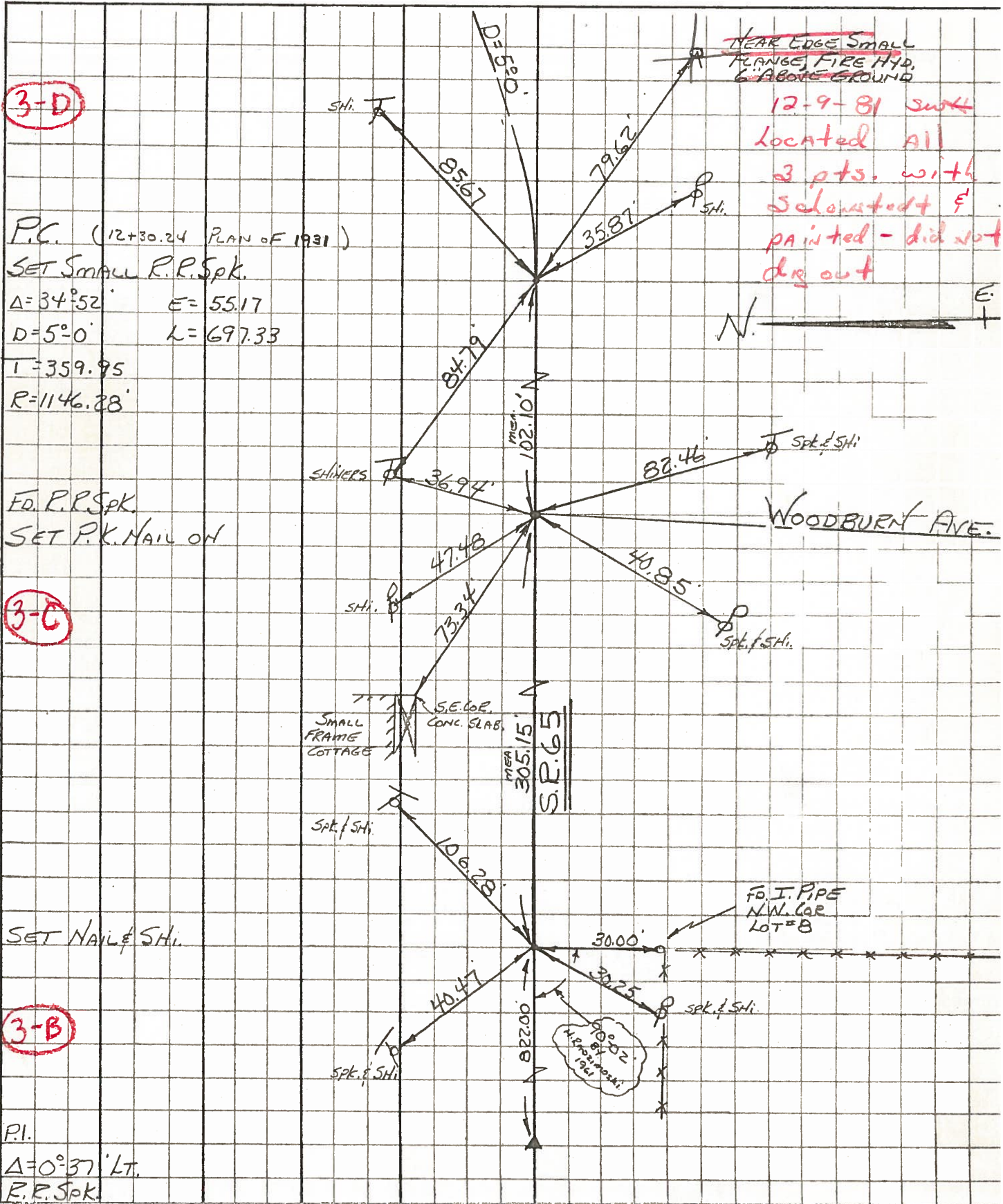
RECORD:
P.C. (12+30.24 PLAN OF 1931)
 $\Delta = 34^\circ - 52'$ $E = 55.17$
 $D = 5^\circ - 00'$ $L = 697.33$
 $T = 359.95$ $R = 1146.28'$



PERSONNEL TITLE PERSONNEL TITLE
 BURNSIDE _____ BAGDONAS _____
 SMITH _____
 POWERS _____
 KIWOWSKI _____

COUNTY WOOD DATE 7-17-73
 S. R. 65 WEATHER CLEAR
 SEC. GRAND RAPIDS TEMP. +85°

DESCRIPTION LEFT CENTER LINE RIGHT JOB NO. _____



NEAR EDGE SMALL RANGE FIRE HYD. 6' ABOVE GROUND
 12-9-81 SWK
 located all 3 pts. with setonets & painted - did not dig out

P.C. (12+30.24 PLAN OF 1931)
 SET SMALL R.P. Spk.
 $\Delta = 34^{\circ}52'$ $E = 55.17$
 $D = 5^{\circ}0'$ $L = 697.33$
 $T = 359.95$
 $R = 1146.28'$

F.O. P.P. Spk.
 SET P.K. NAIL ON

SET NAIL & SHI.

P.I.
 $\Delta = 0^{\circ}37' LT.$
 R.P. Spk.

