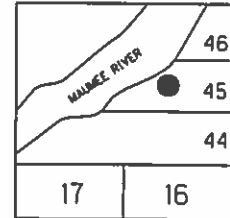


O.D.O.T. DISTRICT 2 SURVEY OFFICE (USE ONLY)

PERSONNEL	REFERENCE NO. <u>19 A</u>	SHEET <u>52</u> OF <u>63</u>
NOTES	LEU	DATE <u>4/30/15</u>
H.C.	O'DONNELL	WEATHER <u>CLOUDY</u>
R.C.	RHOADES	TEMP. <u>50°</u>
		ROUTE <u>SR 65</u>
		COUNTY <u>WOOD</u>
		TOWNSHIP <u>MIDDLETON</u>
		SECTION <u>RT 45</u>
		T <u>1</u> R <u>10</u> E

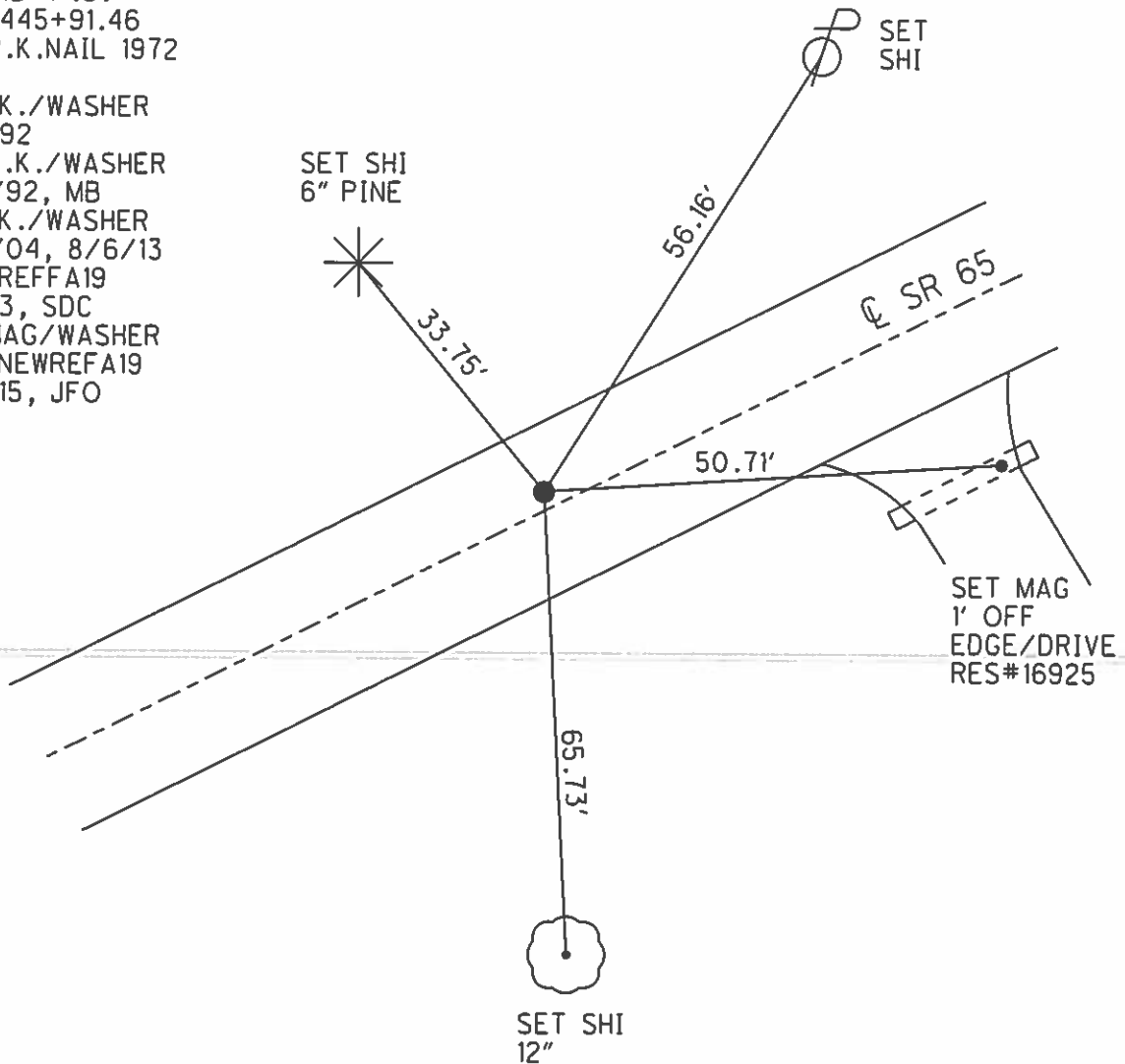
TYPE MONUMENT P.K.NAIL
 ON SURFACE - ~~BELOW~~ ON
 LEFT - PAV'T - ~~RIGHT~~ 1.6'
8.8' TOLT EDGE PAVEMENT
 S.L.M. 545+83.49



Grid: Northing: 663978.412 Easting: 1632306.615

RECORD: P.C.
 STA. 445+91.46
 SET P.K.NAIL 1972

FD P.K./WASHER
 7/13/92
 SET P.K./WASHER
 7/28/92, MB
 FD P.K./WASHER
 5/25/04, 8/6/13
 GPS, REFFA19
 9/5/13, SDC
 SET MAG/WASHER
 GPS, NEWREFA19
 9/14/15, JFO



County Wood S.R. 65

Date 4-12-84

Township MIDDLETON

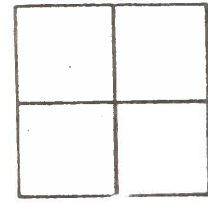
Weather Clear

Section R.T. 45

Temp. 45°

T6N, R10E

Personnel HOFFMAN



- 19-A**
- 19-B**
- 19-C**

HOUSEHOLDER	H.C.
BARHISEL	R.C.

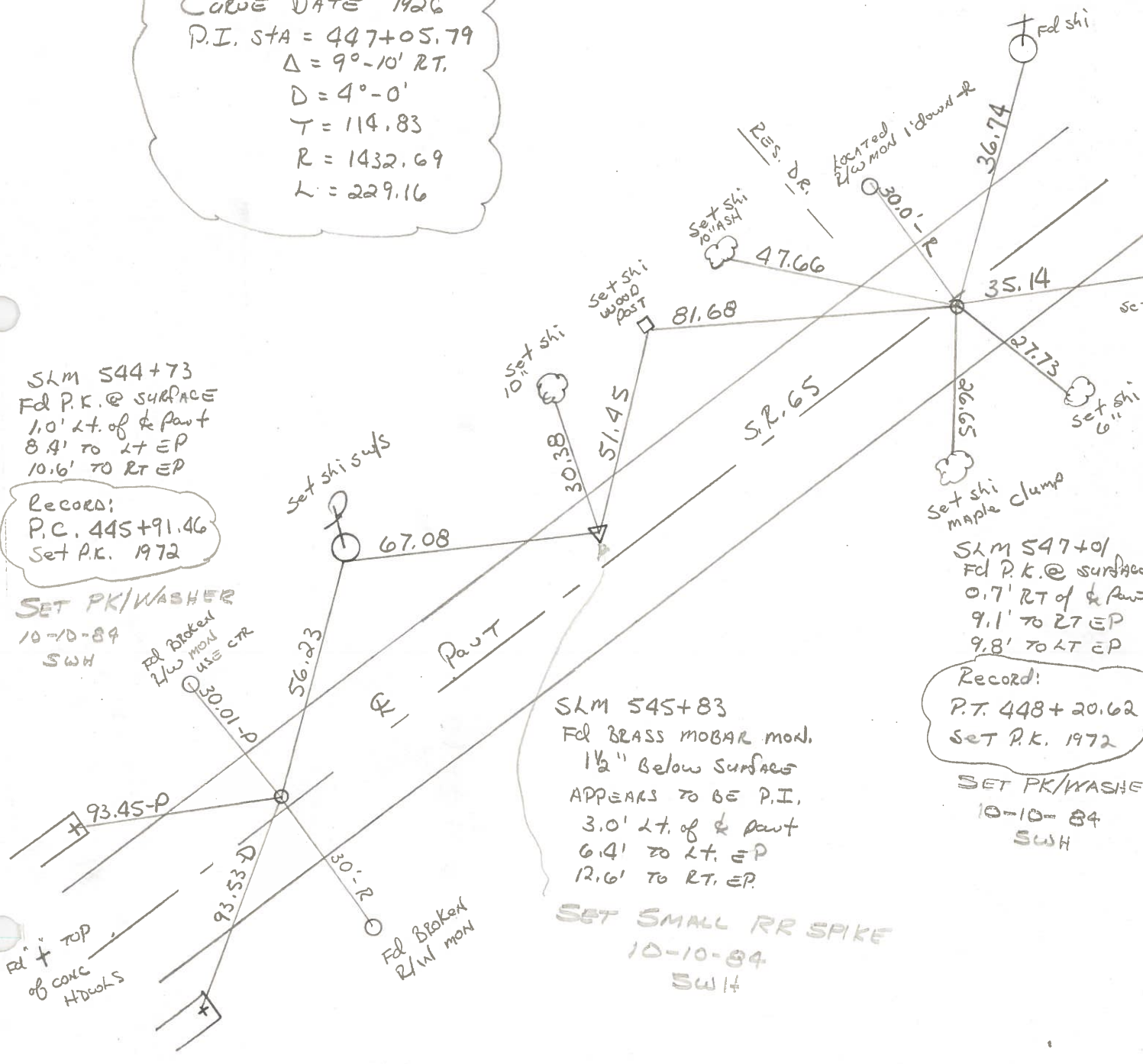
CURVE DATE 1926
 P.I. STA = 447+05.79
 $\Delta = 9^{\circ}-10'$ RT.
 $D = 4^{\circ}-0'$
 $T = 114.83$
 $R = 1432.69$
 $L = 229.16$

SLM 544+73
 Fd P.K. @ SURFACE
 1.0' LT. of & Pavt
 8.9' TO LT EP
 10.6' TO RT EP

Record:
 P.C. 445+91.46
 Set P.K. 1972

SET PK/WASHER
 10-10-84
 SWH

Fd Broken
 2 1/2" MOD
 USE CTR



SLM 545+83
 Fd BRASS MOBAR mod.
 1 1/2" Below surface
 APPEARS TO BE P.I.
 3.0' LT. of & Pavt
 6.4' TO LT. EP
 12.6' TO RT. EP

SLM 547+01
 Fd P.K. @ SURFACE
 0.7' RT of & Pavt
 9.1' TO RT EP
 9.8' TO LT EP

Record:
 P.T. 448+20.62
 Set P.K. 1972

SET PK/WASHER
 10-10-84
 SWH

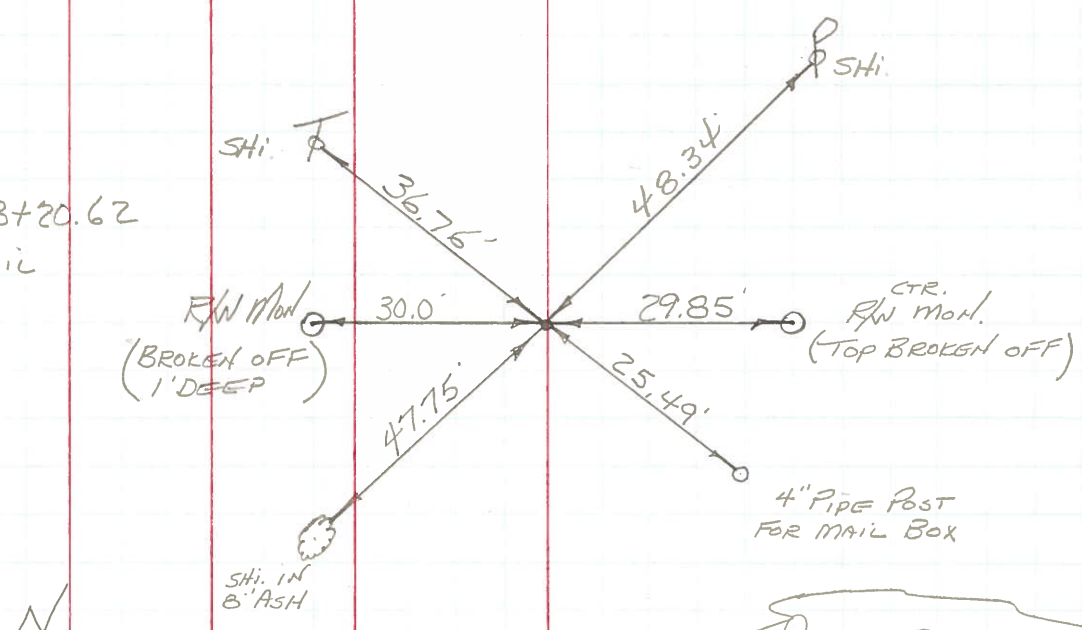
SET SMALL RR SPIKE
 10-10-84
 SWH

PERSONNEL	TITLE	PERSONNEL	TITLE	COUNTY	WOOD	DATE	11-13-72
BURNSIDE				S. R.	65	WEATHER	Cloudy
SMITH				SEC.	MIDDLETON TWP	TEMP.	+38°
BOWERS							
KIOWSKI							

DESCRIPTION ESTABLISH & REF & CONTROL POINTS
 LEFT CENTER LINE RIGHT JOB NO.

19-C

P.T. STA. 448+20.62
 SET P.K. NAIL



CURVE DATA:
 PLAN OF 1926
 P.I. STA. 447+05.79
 $\Delta = 9^\circ 10' RT.$
 $D = 4^\circ 0'$
 $T = 114.83$
 $R = 1432.69$
 $L = 229.16$

P.C. STA. 445+91.46
 SET P.K. NAIL

19-A

