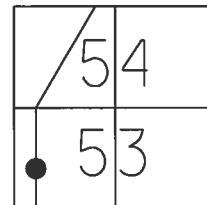


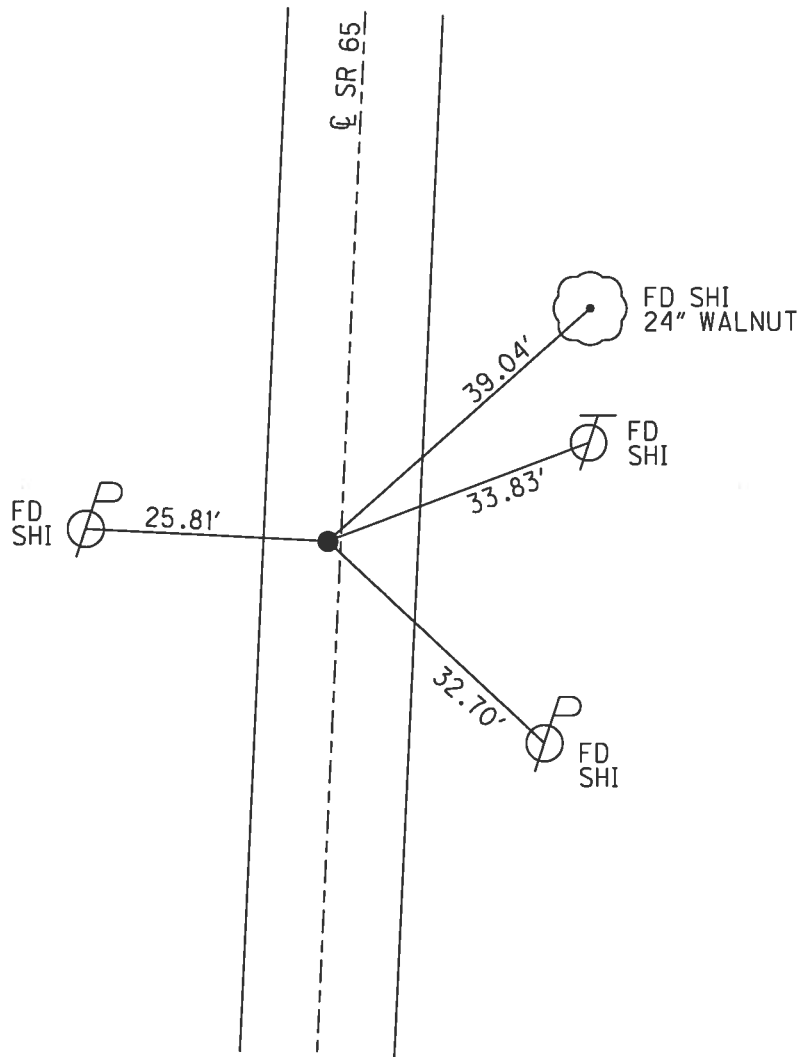
O.D.O.T. DISTRICT 2 SURVEY OFFICE (USE ONLY)

PERSONNEL \_\_\_\_\_ REFERENCE NO. 23 C SHEET 12 OF 44  
 NOTES HOMAN DATE 5/12/14 ROUTE SR 65  
 H.C. LEU WEATHER CLOUDY COUNTY WOOD  
 R.C. HOMAN TEMP. 70° TOWNSHIP MIDDLETON  
 SECTION RT 53  
 T 6 N R 10 E

TYPE MONUMENT MAG NAIL  
 ON SURFACE - ~~BELOW~~ ON \_\_\_\_\_  
 LEFT - ☉ PAV'T - ~~RIGHT~~ 1.0'  
8.9' TO LT EDGE PAVEMENT  
 S.L.M. 680+78.44



RECORD:  
 STA. 678+78  
 FD SM.R.R.SPIKE  
 FD P.K./WASHER  
 5/24/95, SAH  
 SET P.K./WASHER  
 8/7/95, SAH  
 FD MAG NAIL  
 REFC23  
 9/17/12, SDC  
 FD MAG NAIL  
 CKREFCC23  
 5/12/14, DCH  
 SET MAG/WASHER  
 3/16/16, DCH

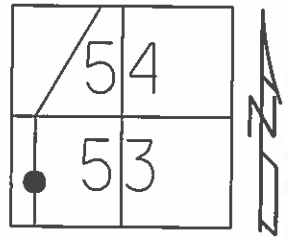


Grid: Northing: 674896.570 Easting: 1637501.927

O.D.O.T. DISTRICT 2 SURVEY OFFICE (USE ONLY)

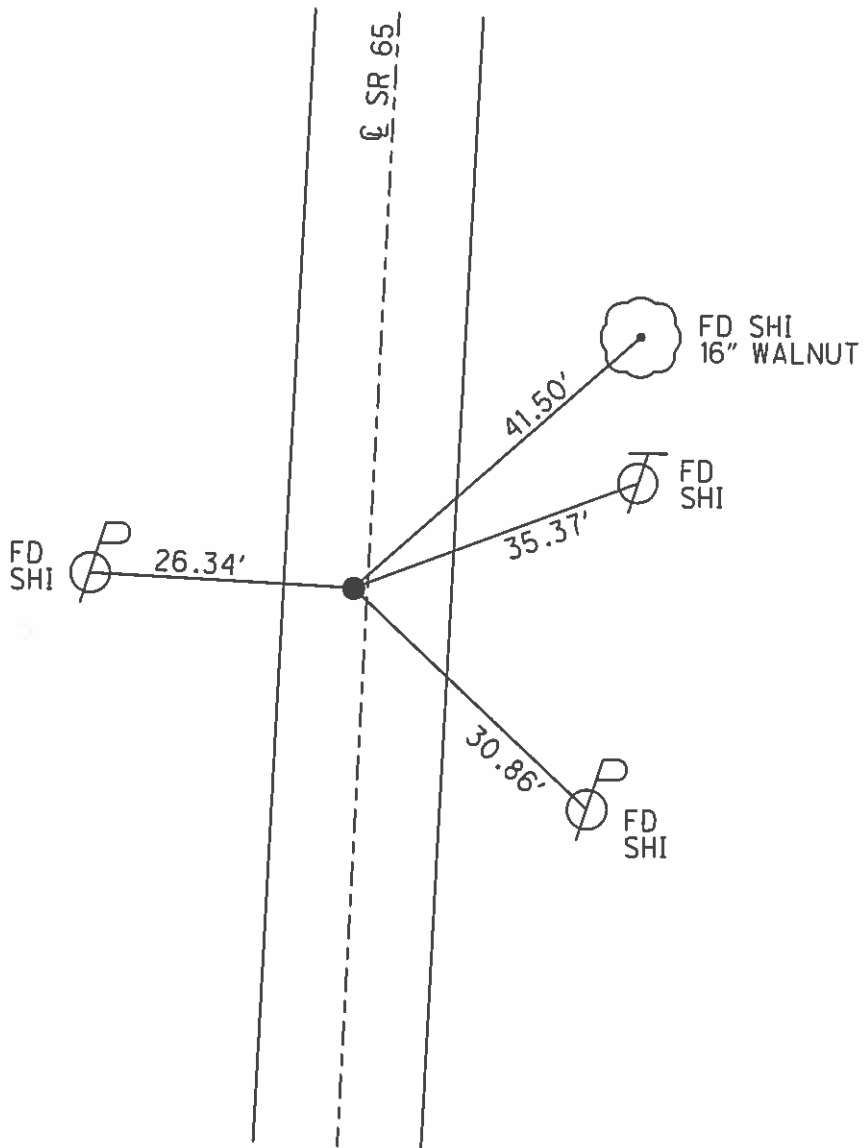
PERSONNEL \_\_\_\_\_ REFERENCE NO. 23 C SHEET 12 OF 44  
 NOTES VAN DUSEN DATE 5/24/95 ROUTE SR 65  
 H.C. MOSER WEATHER CLOUDY COUNTY WOOD  
 R.C. HUSS TEMP. 60° TOWNSHIP MIDDLETON  
 SECTION RT 53  
 T 6 N R 10 E

TYPE MONUMENT MAG NAIL  
 ON SURFACE - ~~BELOW~~ ON \_\_\_\_\_  
 LEFT - ☉ PAV'T - ~~RIGHT~~ 1.0'  
8.9' TO LT EDGE PAVEMENT  
 S.L.M. 680+78.44



Grid: Northing: 674896.570 Easting: 1637501.927

GPS C23



# O.D.O.T. DISTRICT 2 SURVEY OFFICE

PERSONNEL \_\_\_\_\_

REFERENCE NO. \_\_\_\_\_

SHEET 46 OF 91

NOTES VAN DUSEN

H.C. MOSEER

R.C. HUSS

DATE 5-24-95

WEATHER CLOUDY

TEMP. +60°F

ROUTE SR65

COUNTY WOOD

TOWNSHIP MIDDLETON

SECTION R.T. 53 & 54

T6 N R 10 E

TYPE MONUMENT P.K. / WASHER

ON SURFACE - ~~BELOW~~

LEFT- ~~C~~ ~~PAV'T.~~ - RIGHT A+B+C 1.0' LT

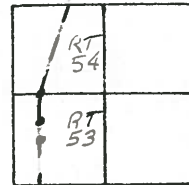
TO LT EDGE PAVEMENT

S.L.M. A=678+78 B=681+65 C=683+30

23-C

23-D

23-E



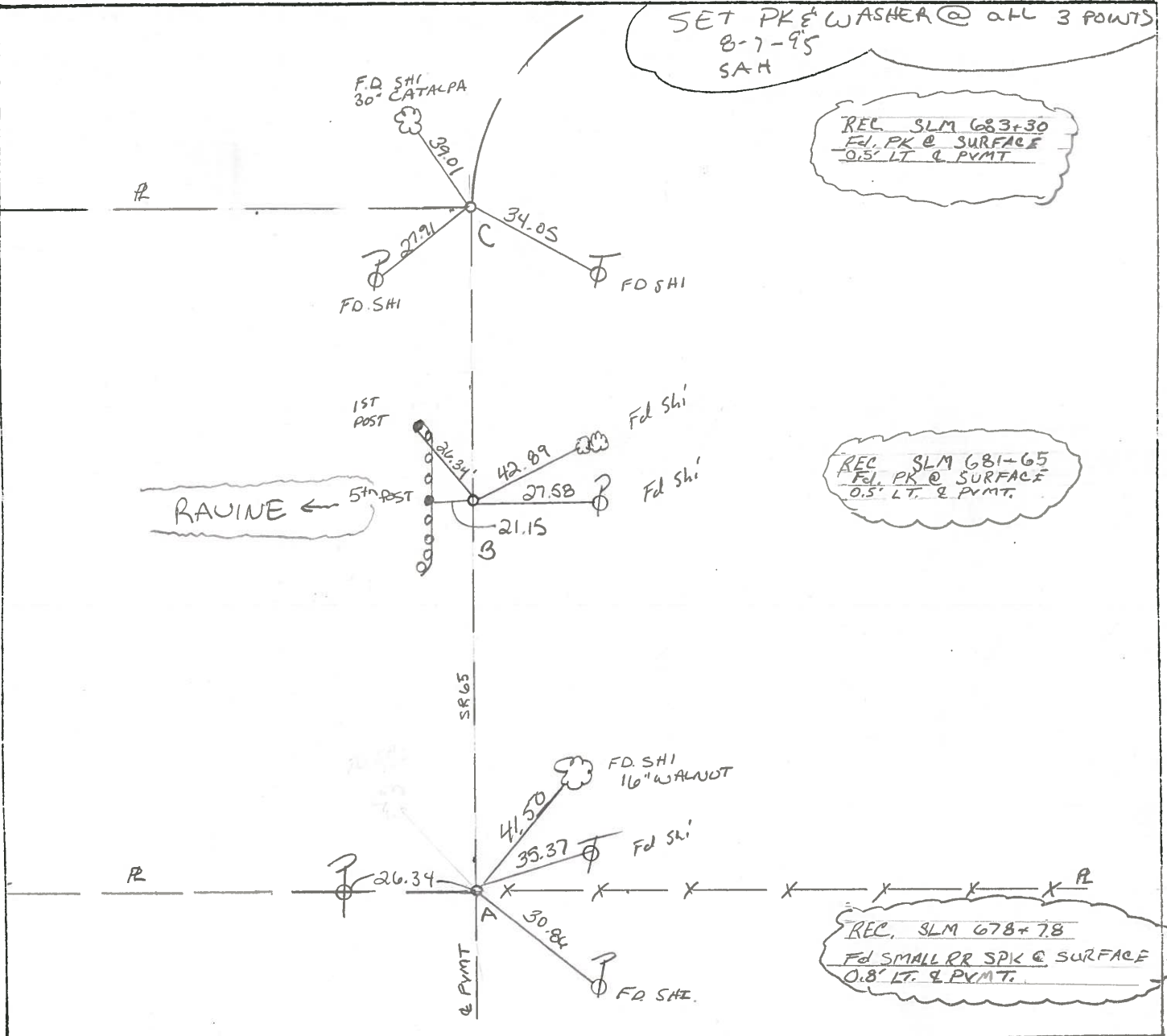
CLOSURE  
1.08  
2.04  
3.3

SET PK & WASHER @ ALL 3 POINTS  
8-7-95  
SAH

REC. SLM 683+30  
Fd. PK @ SURFACE  
0.5' LT. & PVMT.

REC. SLM 681+65  
Fd. PK @ SURFACE  
0.5' LT. & PVMT.

REC. SLM 678+78  
Fd. SMALL RR SPIK @ SURFACE  
0.8' LT. & PVMT.



County WOOD S.R. 65

Date 4-13-84

Township MIDDLETON

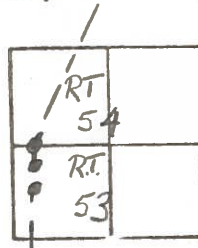
Weather P. Clear

Section R.T. 53 & 54

Temp. 50°

T&N, R10E

Personnel HOFFMAN



23-C

LOEHRE

23-D

HOUSEHOLDER H.C.

23-E

BAERNHISEL R.C.

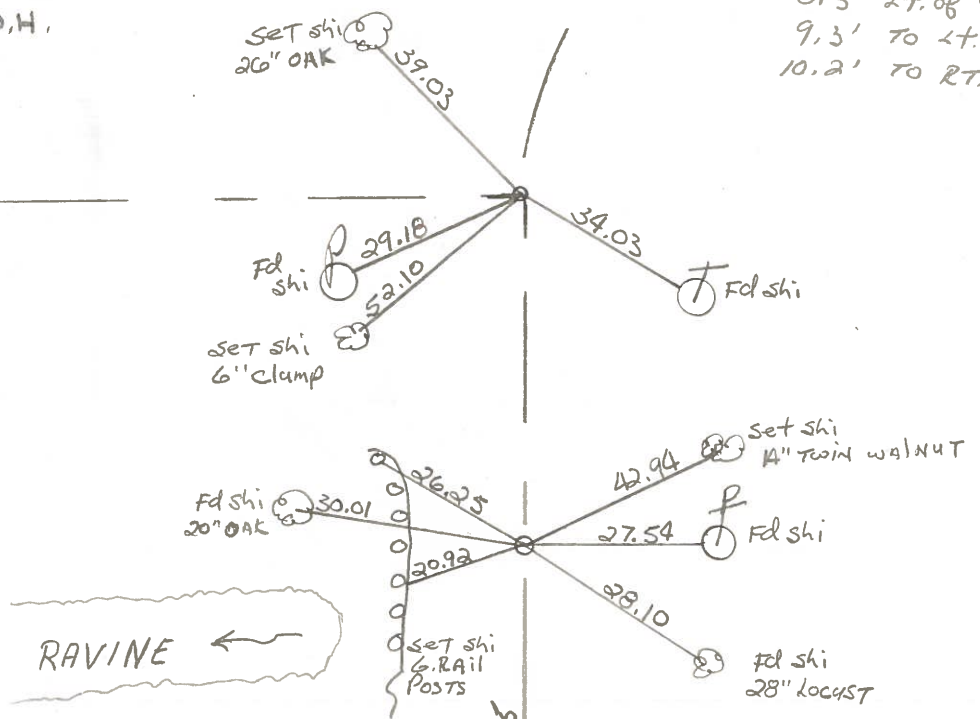
SET PK/WASHER

@ ALL 3 POINTS

10-17-84

S.W.H.

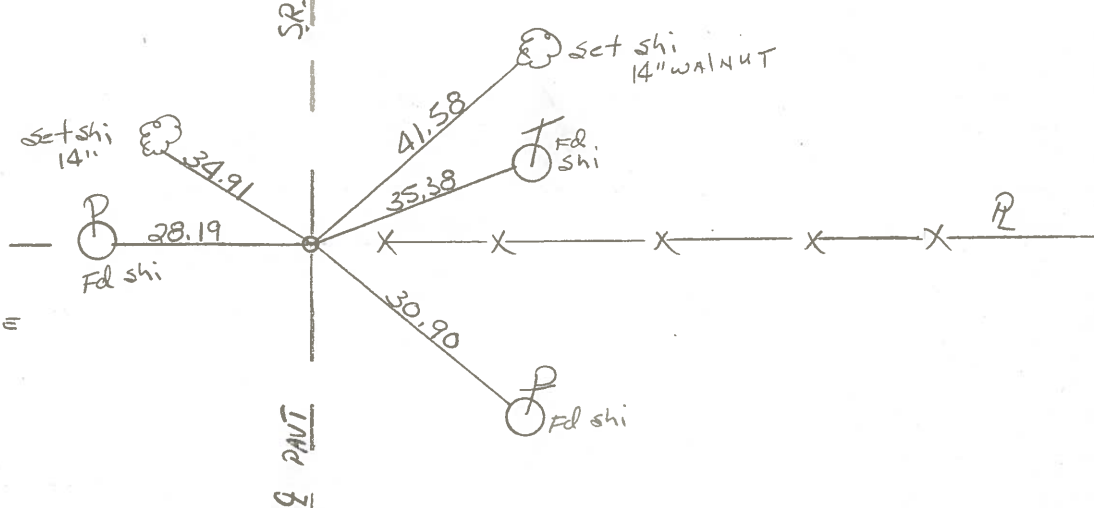
SLM 683+30  
 Fd P.K. @ surface  
 0.5' Lt. of & Pawt  
 9.3' TO Lt. EP.  
 10.2' TO RT. EP.



SLM 681+65  
 Fd P.K. @ surface  
 0.5' Lt. of & Pawt  
 9.1' TO Lt. EP.  
 10.8' TO RT. EP.

SLM 678+78

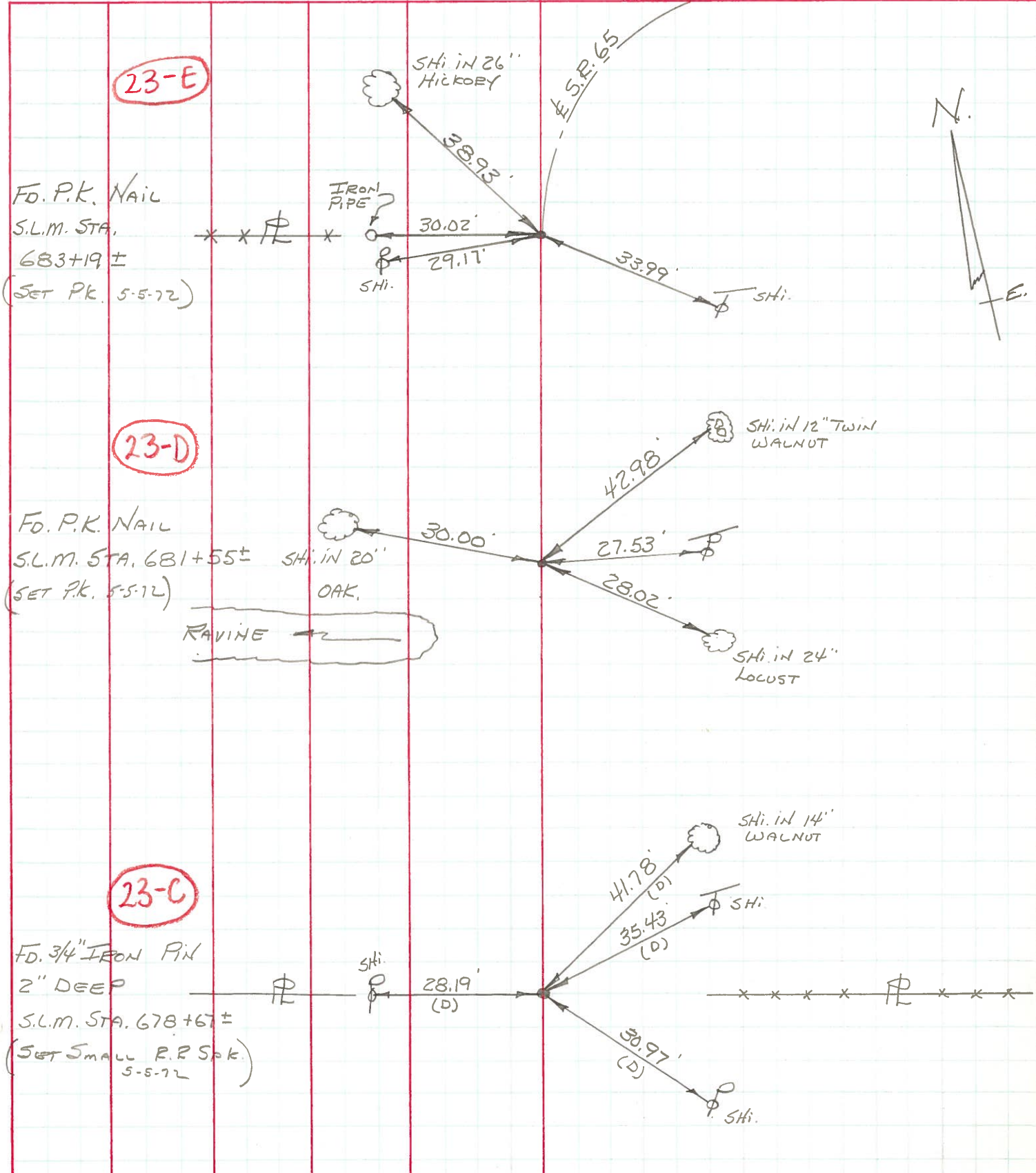
Fd small R.R. spk @ surface  
 0.8' Lt. of & Pawt  
 6.7' TO Lt. EP.  
 9.9' TO RT. EP.





PERSONNEL	TITLE	PERSONNEL	TITLE	COUNTY	DATE	WEATHER	TEMP.
BURNSIDE				Wood	4-18-72	CLEAR	+77°
SMITH				S. R. 65			
BOWERS				SEC MIDDLETON TWP			

DESCRIPTION \_\_\_\_\_ LEFT \_\_\_\_\_ CENTER LINE \_\_\_\_\_ RIGHT \_\_\_\_\_ JOB NO. \_\_\_\_\_





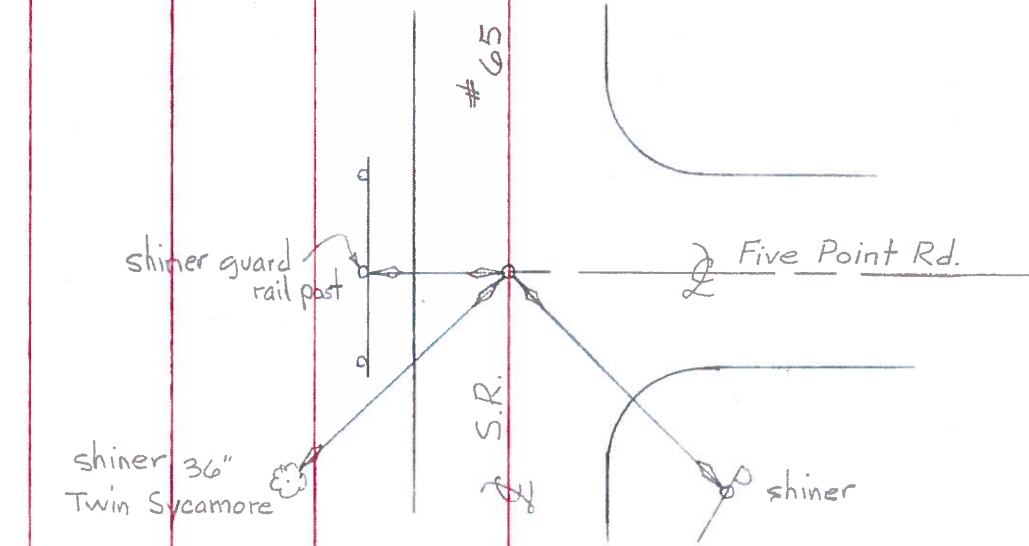
PERSONNEL	TITLE	PERSONNEL	TITLE
Tomsic		Jackson	
Neuser			
Vanya			
Granata			

COUNTY Wood DATE Aug. 3, 1971  
 S. R. #65 WEATHER Fair  
 SEC. \_\_\_\_\_ TEMP. 70's

DESCRIPTION Reference Monumenting S.R. #65 JOB NO. \_\_\_\_\_

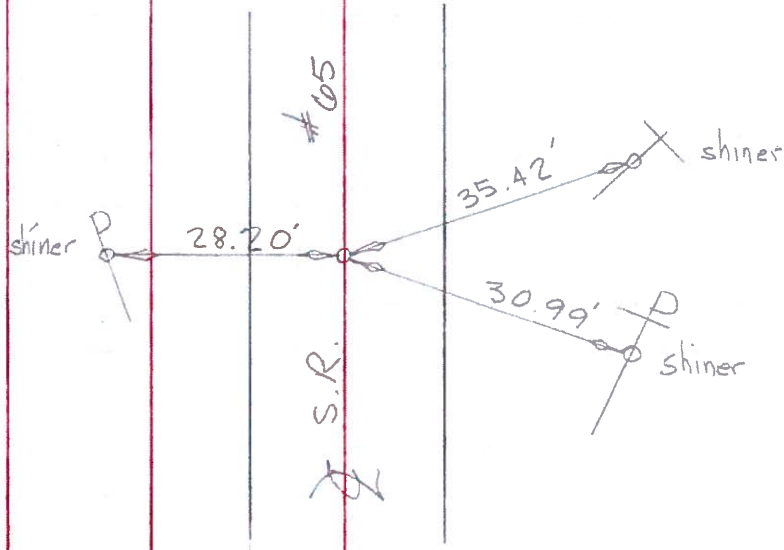
LEFT CENTER LINE RIGHT

**23-B**



Found P. K. Nail at Surface (sta. 658+11±)

**23-C**



Found R.R. Spike at Surface (678+67±)