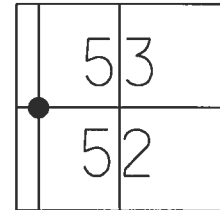


O.D.O.T. DISTRICT 2 SURVEY OFFICE (USE ONLY)

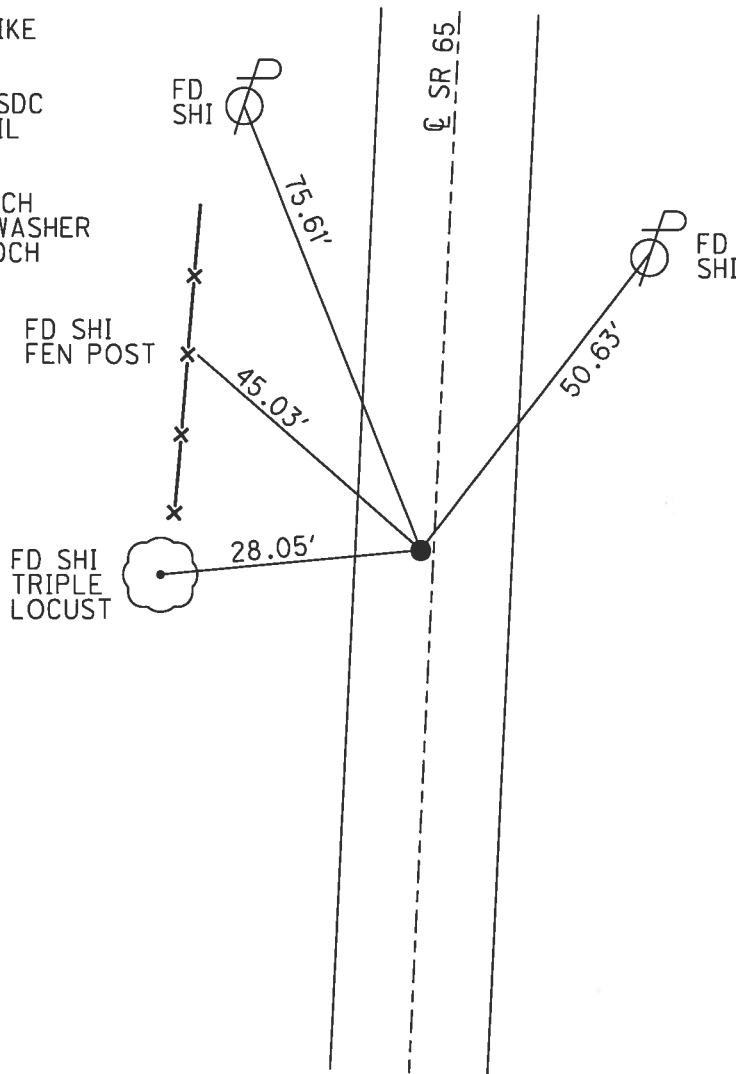
PERSONNEL _____ REFERENCE NO. 23 BB SHEET 10 OF 44
 NOTES HOMAN DATE 5/12/14 ROUTE SR 65
 H.C. LEU WEATHER CLOUDY COUNTY WOOD
 R.C. HOMAN TEMP. 70° TOWNSHIP MIDDLETON
 SECTION RT 52, 53
 T 6 N R 10 E

TYPE MONUMENT P.K.NAIL
~~ON SURFACE~~ - BELOW 3"
 LEFT - ☉ PAV'T - ~~RIGHT~~ 0.3'
9.3' TO LT EDGE PAVEMENT
 S.L.M. 674+09.81

Grid: Northing: 674228.946 Easting: 1637465.338



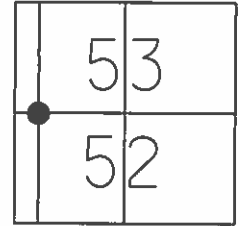
RECORD:
 FD R.R.SPIKE
 0.2' DOWN
 RP5
 10/19/12, SDC
 FD P.K.NAIL
 3" DOWN
 CKREFC23
 5/12/14, DCH
 SET MAG/WASHER
 7/28/15, DCH



O.D.O.T. DISTRICT 2 SURVEY OFFICE (USE ONLY)

PERSONNEL _____ REFERENCE NO. 23 BB SHEET 10 OF 44
 NOTES CODER _____ DATE 10/19/12 ROUTE SR 65
 H.C. HUSS WEATHER RAINY COUNTY WOOD
 R.C. CANTERBURY TEMP. 50° TOWNSHIP MIDDLETON
 _____ SECTION RT 52, 53
 _____ T 6 N R 10 E

TYPE MONUMENT R.R.SPIKE
~~ON SURFACE~~ - BELOW 0.2'
 LEFT - ☉ PAV'T - ~~RIGHT~~ 0.3'
9.3' RT TO LT EDGE PAVEMENT
 S.L.M. 674+09.81
 Grid: Northing: 674228.946 Easting: 1637465.338



GPS RP5

