

O.D.O.T. DISTRICT 2 SURVEY OFFICE (USE ONLY)

PERSONNEL

REFERENCE NO. 24

SHEET 22 OF 44

NOTES VAN DUSEN

DATE 5/23/95

ROUTE SR 65

H.C. MOSER

WEATHER SUNNY

COUNTY WOOD

R.C. HUSS

TEMP. 80°

TOWNSHIP MIDDLETON

CORDES

SECTION RT 55

DWG BY RHOADES

PID 93680_R

T 7 N R 10 E

TYPE MONUMENT P.K./WASHER

ON SURFACE - ~~BELOW~~ ON

OFFSET \odot PAVEMENT ON LT : RT

9.7' TO LT EDGE PAVEMENT

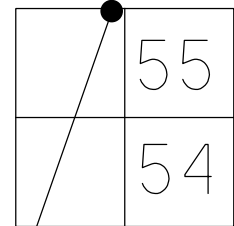
STATION: 718+12.32

HORZ.DATUM: NAD83 2011

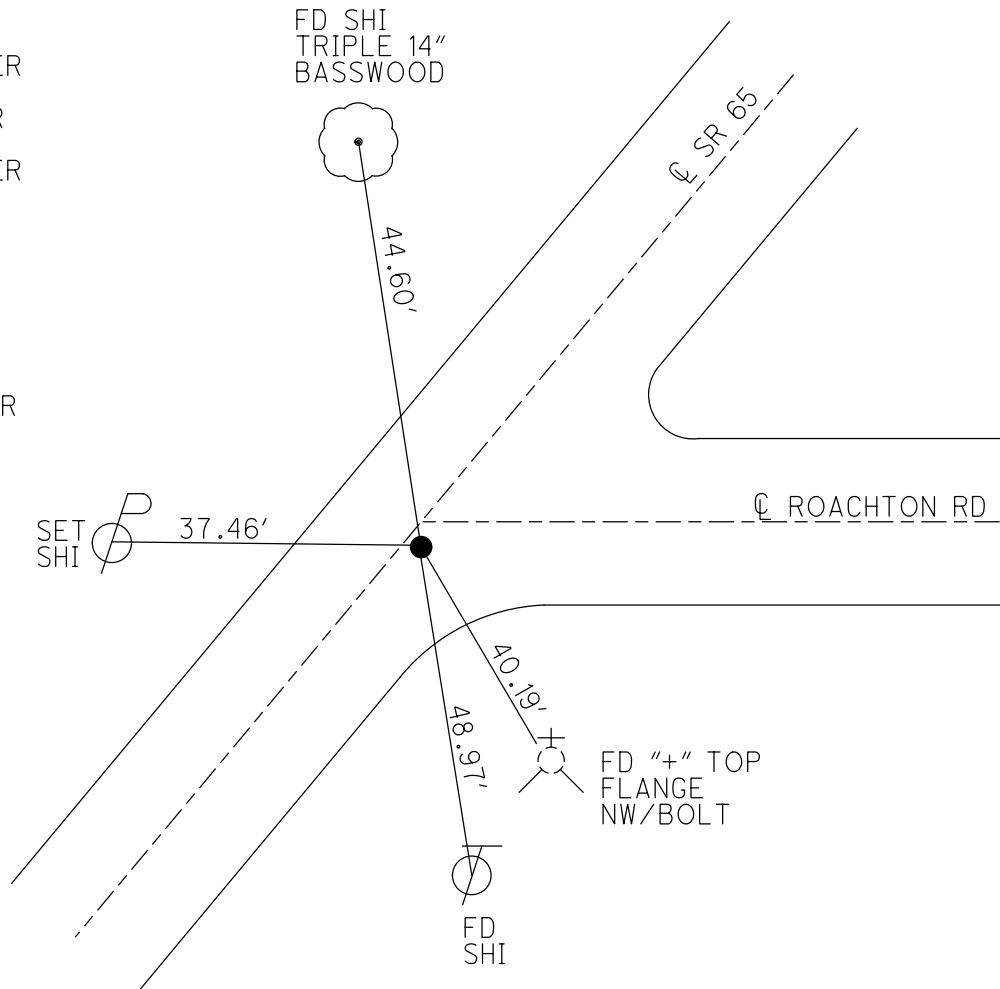
GEOID: NAVD88 2018

GRID: NORTHING: 678109.626

EASTING: 1639270.545



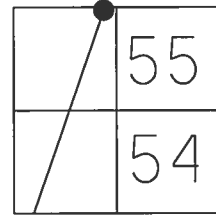
RECORD:
 FD R.R.SPIKE
 4/16/84
 SET P.K./WASHER
 10/17/84
 FD P.K./WASHER
 5/23/95, SAH
 SET P.K./WASHER
 8/8/95, SAH
 FD P.K.NAIL
 REF24
 9/18/12, SAH
 FD R.R.SPIKE
 3" DOWN
 REF24
 6/12/14, DCH
 SET MAG/WASHER
 6/2/17, DCH
 FD MAG/WASHER
 REF24
 3/16/23, DSA



O.D.O.T. DISTRICT 2 SURVEY OFFICE (USE ONLY)

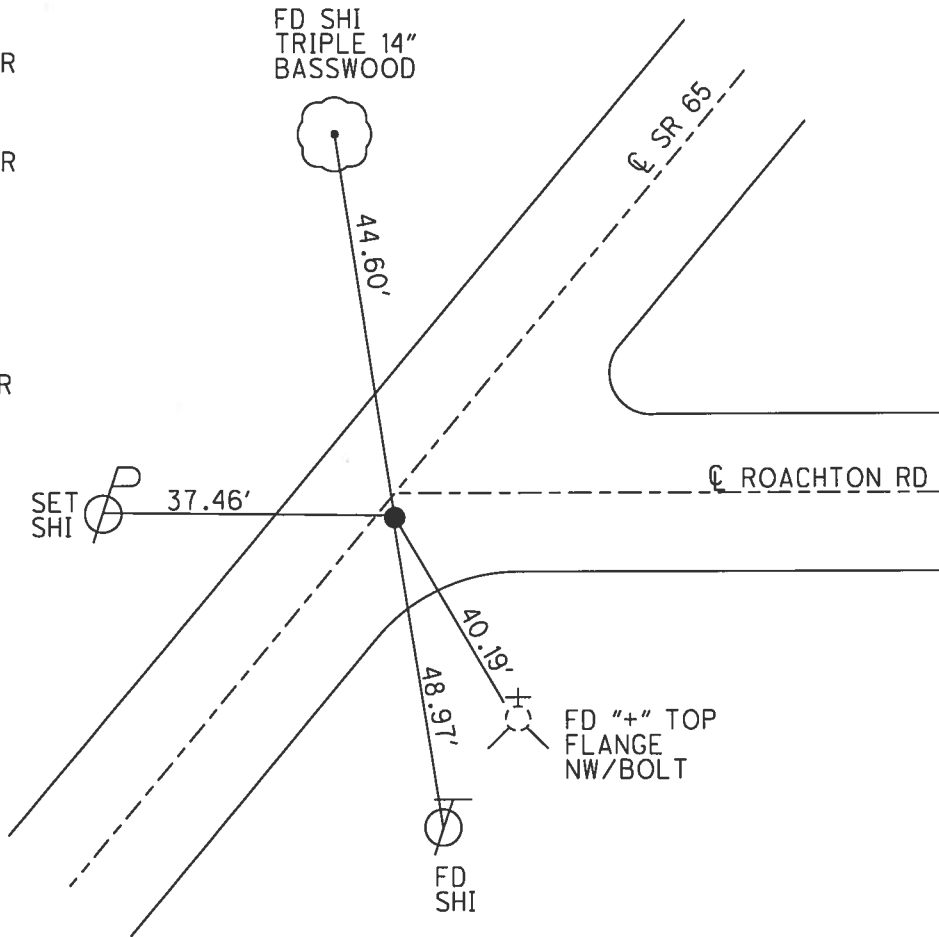
PERSONNEL _____ REFERENCE NO. 24 SHEET 22 OF 44
 NOTES VAN DUSEN DATE 5/23/95 ROUTE SR 65
 H.C. MOSER WEATHER SUNNY COUNTY WOOD
 R.C. HUSS TEMP. 80° TOWNSHIP MIDDLETON
 _____ CORDES SECTION RT 55
 _____ T 7 N R 10 E

TYPE MONUMENT P.K./WASHER
 ON SURFACE - ~~BELOW~~ ON
 LEFT - ☉ PAV'T - RIGHT ON
9.7' TO LT EDGE PAVEMENT
 S.L.M. 718+12.32



Grid: Northing: 678109.609 Easting: 1639270.521

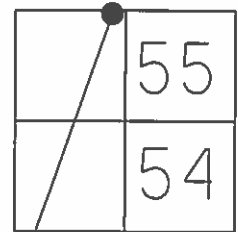
RECORD:
 FD R.R.SPIKE
 4/16/84
 SET P.K./WASHER
 10/17/84
 FD P.K./WASHER
 5/23/95, SAH
 SET P.K./WASHER
 8/8/95, SAH
 FD P.K.NAIL
 REF24
 9/18/12, SAH
 FD R.R.SPIKE
 3" DOWN
 REF24
 6/12/14, DCH
 SET MAG/WASHER
 6/2/17, DCH



O.D.O.T. DISTRICT 2 SURVEY OFFICE (USE ONLY)

PERSONNEL _____ REFERENCE NO. 24 SHEET 22 OF 44
 NOTES VAN DUSEN DATE 5/23/95 ROUTE SR 65
 H.C. MOSER WEATHER SUNNY COUNTY WOOD
 R.C. HUSS TEMP. 80° TOWNSHIP MIDDLETON
 _____ SECTION RT 55
 _____ T 7 N R 10 E

TYPE MONUMENT P.K./WASHER
 ON SURFACE - ~~BELOW~~ ON
 LEFT - ☉ PAV'T - RIGHT ON
9.7' TO LT EDGE PAVEMENT
 S.L.M. 718+12.32



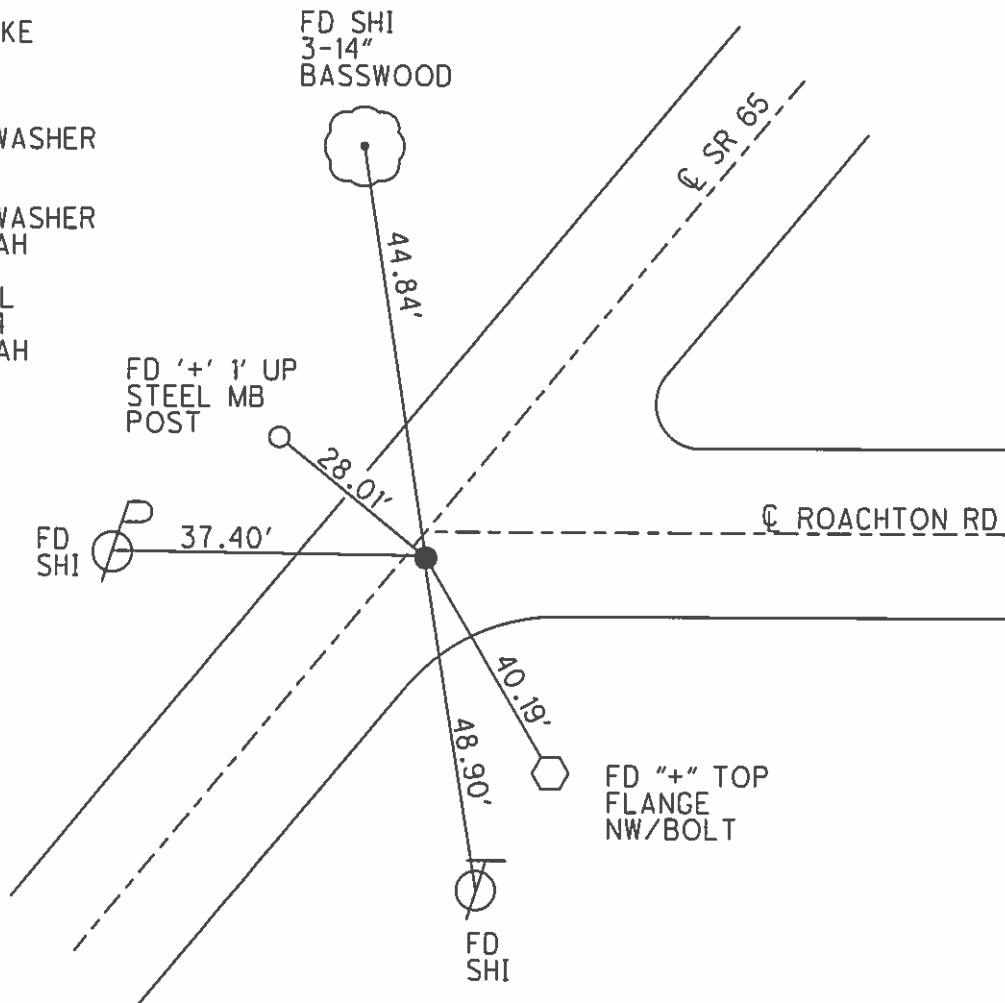
Grid: Northing: 678109.609 Easting: 1639270.521

RECORD:
 FD R.R.SPIKE
 @ SURFACE
 4/16/84

SET P.K./WASHER
 10/17/84

SET P.K./WASHER
 8/8/95, SAH

FD P.K.NAIL
 GPS, REF24
 9/18/12, SAH



O.D.O.T. DISTRICT 2 SURVEY OFFICE

PERSONNEL

REFERENCE NO. 24

SHEET 51 OF 91

NOTES VANDUSEN

H.C. MOSEY

DATE 5-23-95

ROUTE SR-65

R.C. HUSS

WEATHER Sunny

COUNTY Wood

COLDES

TEMP. +80°F

TOWNSHIP Middleton

SECTION R.T. 55

T 7 N R 10 E

TYPE MONUMENT PK/WASHER

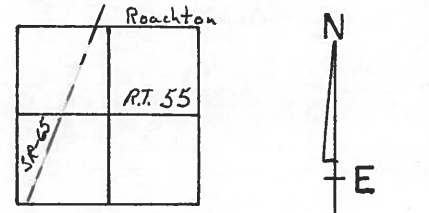
24

ON SURFACE - ~~BELOW~~

~~LEFT~~ - ☐ PAV'T. - ~~RIGHT~~

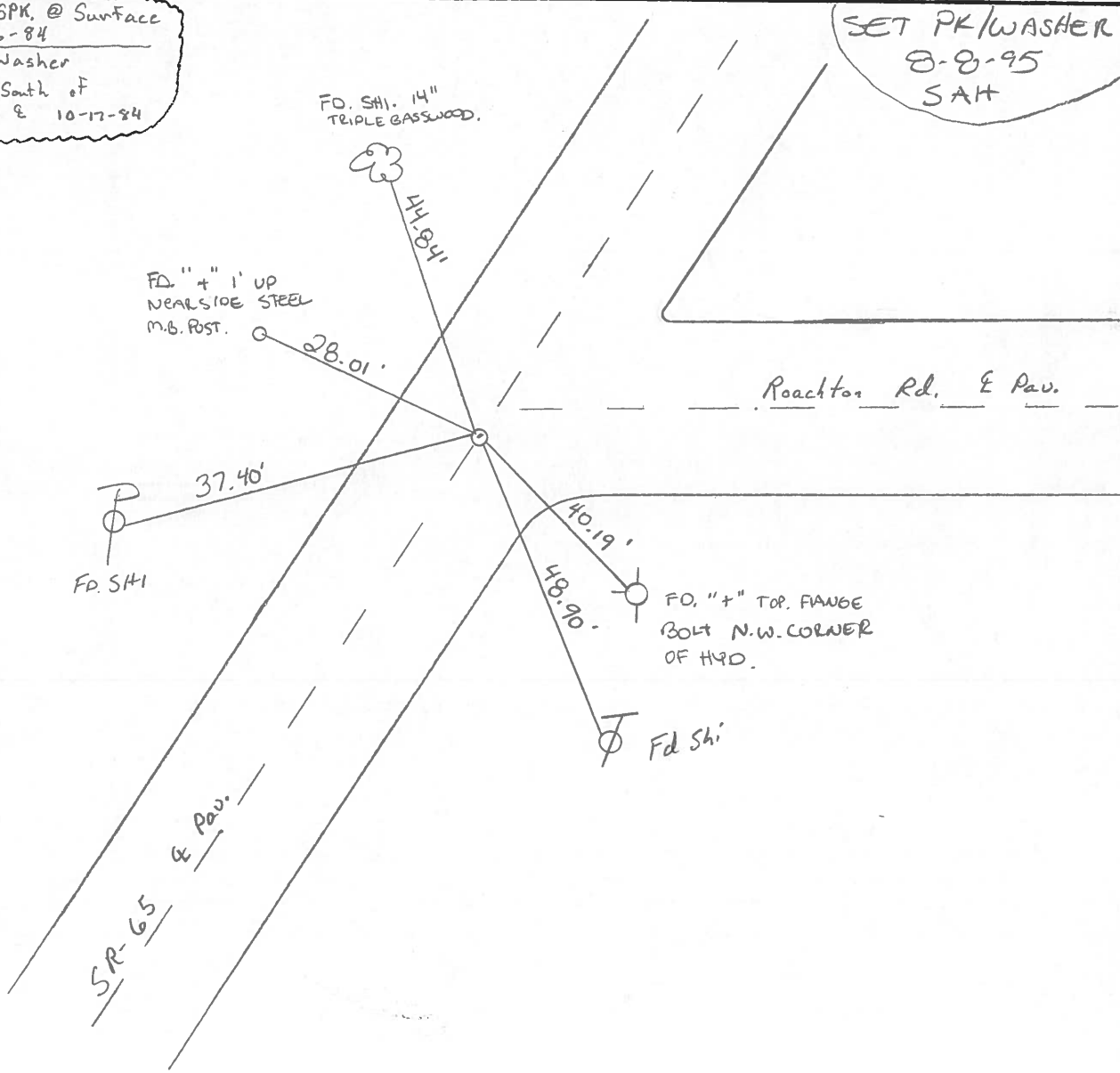
9.7 TO LT EDGE PAVEMENT

S.L.M. 716 + 11



Fd RR SPK. @ Surface
 4-16-84
 Set PK/Washer
 + 12' South of
 Roachton & 10-17-84

SET PK/WASHER
 8-8-95
 SAH



County WOOD S.R. 65

Township MIDDLETON

Section R.T. 55

T7N, R10E

Personnel HOFFMAN

LOENRKE

HOUSEHOLDER H.C.

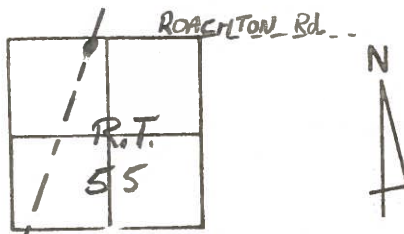
BARNTISEL R.C.

Date 4-16-84

Weather cloudy

Temp. 45°

24



Fd R.R. SPK @ SURFACE
ON ϕ of PAVT
9.4' TO L.H.P.

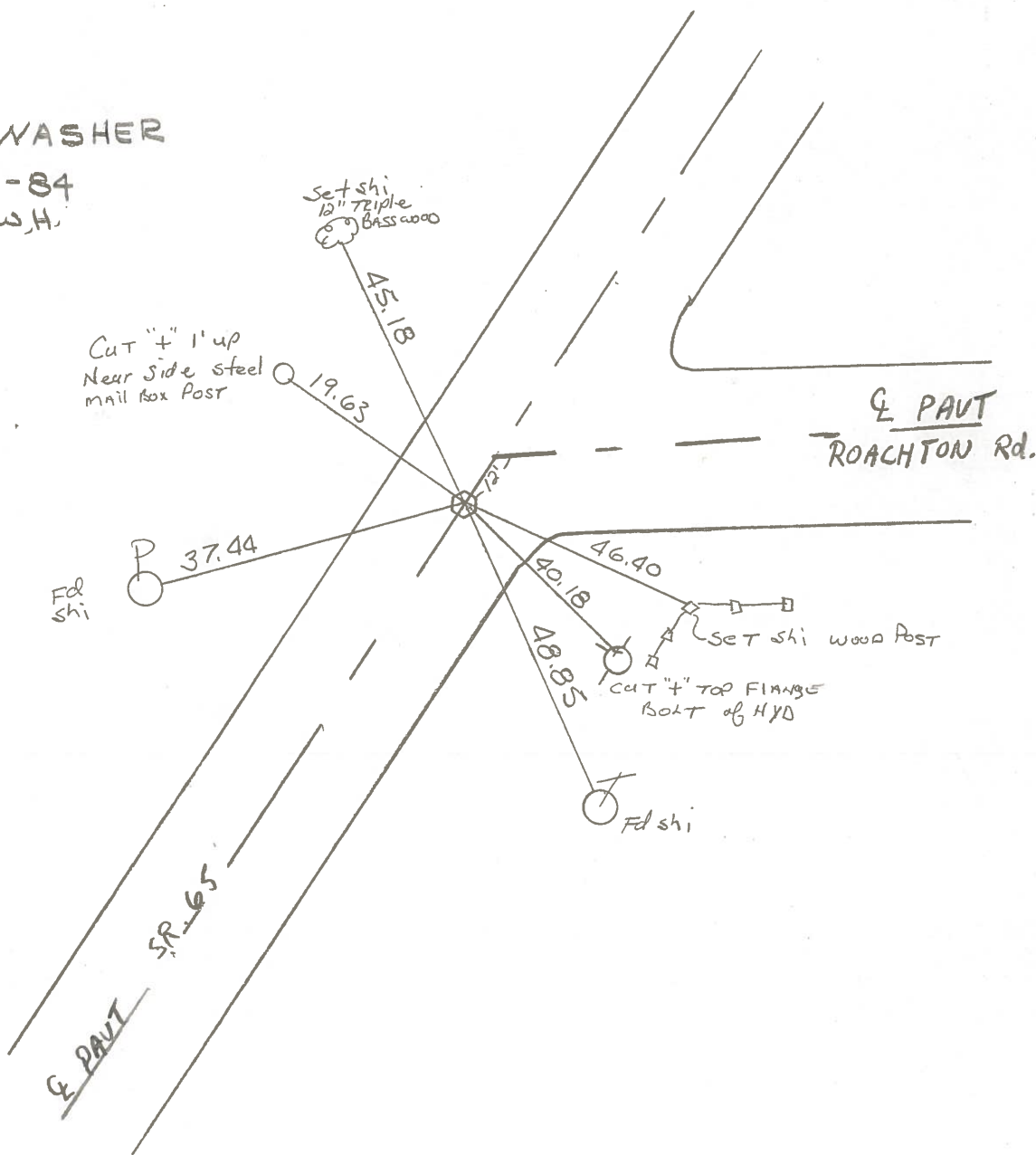
SLM 716+11

#24

SET PK/WASHER

10-17-84

S.W.H.



County WOOD S.R. _____

Date 7-18-80

Township MIDDLETON

Weather FAIR

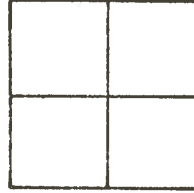
Section R.T. 55

Temp. 85°

T N, R E

Personnel SMITH

BOWERS



#24

FOUND R.R. SPK.
10'± SOUTH OF
INTER. E. PAUT. OF
ROACHTON ROAD
S.L.M. 716+00 ±

SHI. 3-12"
BASSWOOD

45.45'

SHI. 26"
BOX ELDER
GONE

23.17'

37.44'
SHI.

65

S.R.

E. PAUT. ROACHTON
ROAD

88.27'
SHI. 12"
HICKORY

FD. P.K. NAIL .55' NORTH
OF R.R. SPK. ON E 65

40.25'

48.83'

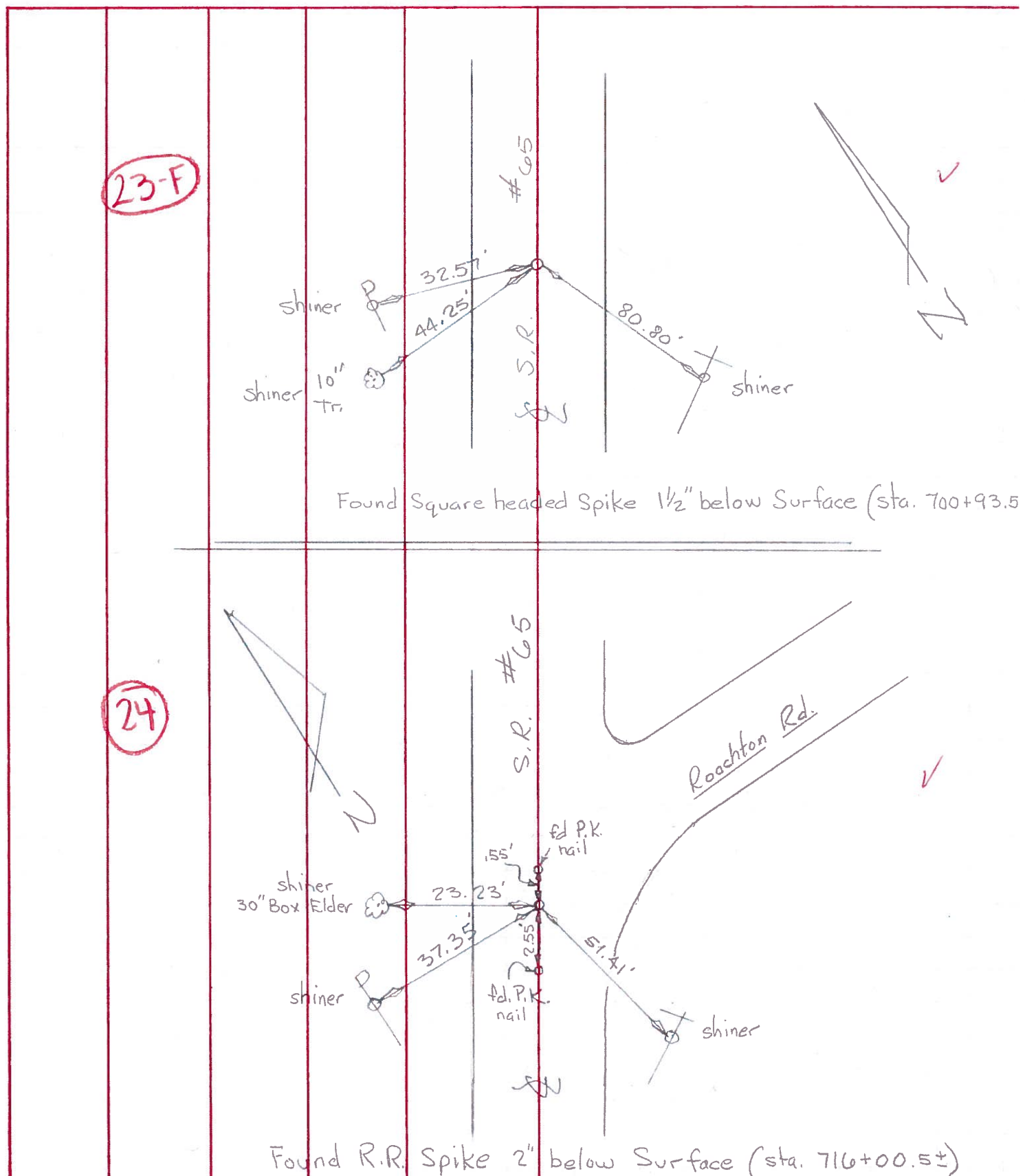
BODY OF FIRE HYDRANT

SHI.

PERSONNEL	TITLE	PERSONNEL	TITLE
Tomsic		Jackson	
Neuser			
Vanya			
Granata			

COUNTY Wood DATE Aug. 3, 1971
 S. R. #65 WEATHER P. Cloudy
 SEC. _____ TEMP. 70's

DESCRIPTION Reference Monumenting S.R. #65 JOB NO. _____



PERSONNEL	TITLE	PERSONNEL	TITLE
BURNSIDE			
SMITH			
BOWERS			
SARDEJA			

COUNTY WOOD DATE 4-28-71

S. R. # 65 WEATHER LT RAIN

SEC. PERRYSBURG TWP TEMP. +55°

DESCRIPTION POINTS FOUND BEFORE RESURFACING

JOB NO. _____

LEFT

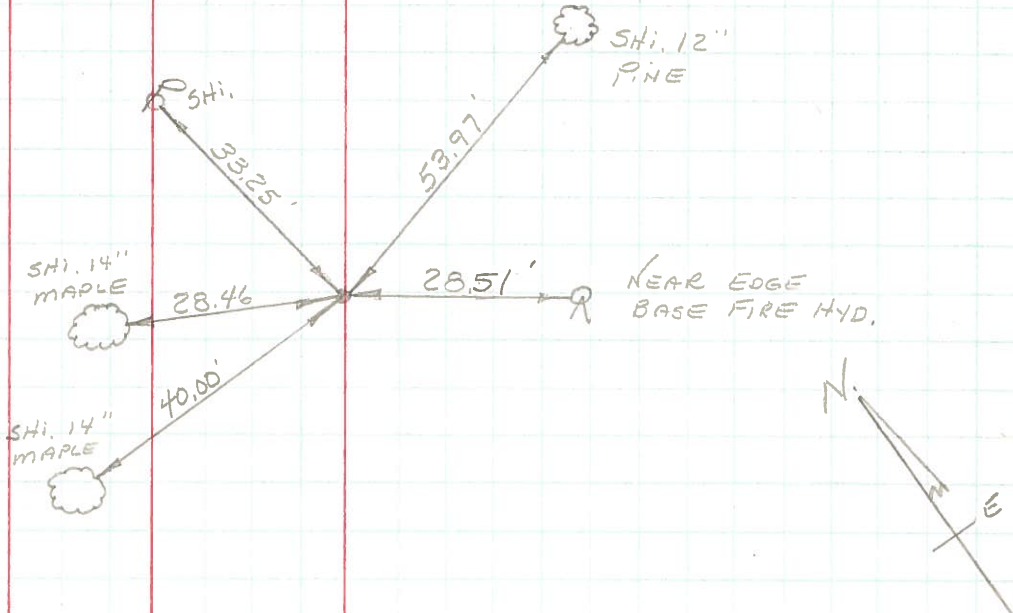
CENTER LINE

RIGHT

24-A

DK 4-19-72

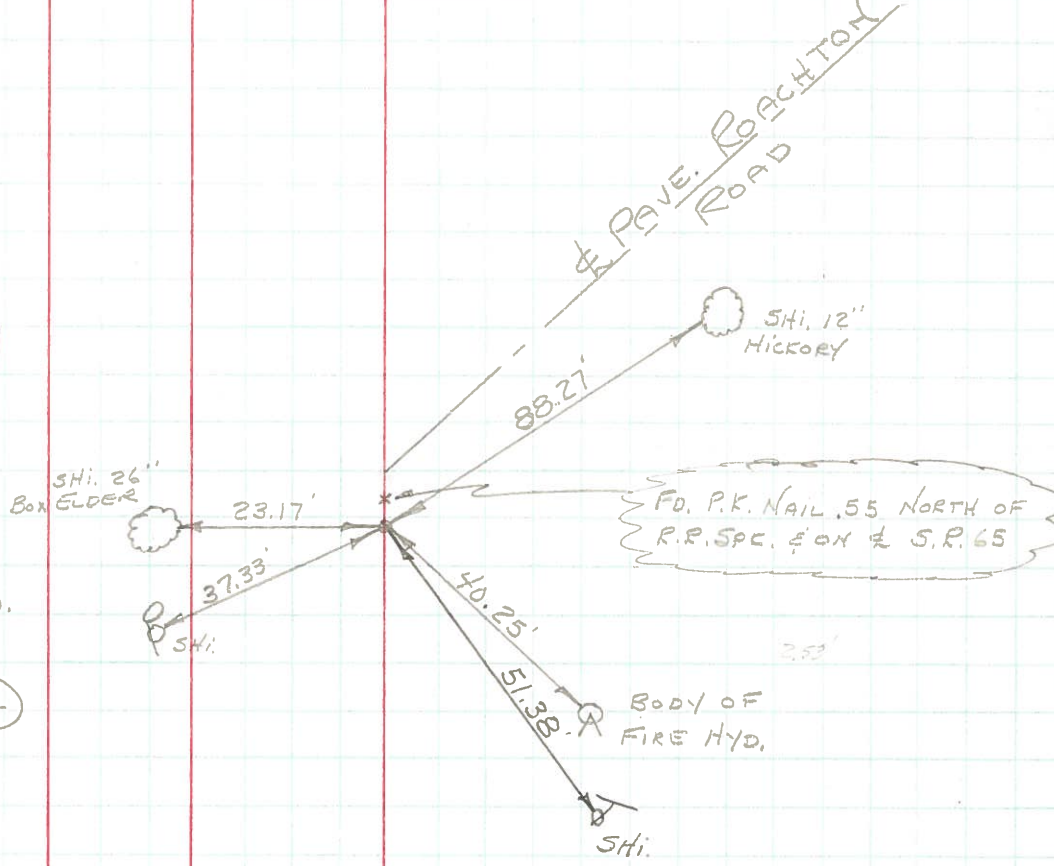
FD. P.K. NAIL
 S.L.M. 732+38±
 (SET P.K. 5-5-72)
 # 746



24

DK 4-19-72

FD. R.R. Spk. 10'±
 SOUTH OF INTER.
 & PAVE. ROACHTON RD.
 S.L.M. 716+0±
 (SET SMALL R.R. Spk 5-5-72)
 # 745



FD. P.K. NAIL .55 NORTH OF
 R.R. SPK. & ON & S.R. 65

PERSONNEL	TITLE	PERSONNEL	TITLE
Delventhal	Hoover		
Young	Ruffer		
	Delventhal		
	Young		
	Hoff		

COUNTY Wood DATE 8-17-60
 S. R. 65 WEATHER Clear
 SEC. 11.96-17.65 TEMP. 80's

DESCRIPTION _____ CONTROL POINTS _____ JOB NO. _____

