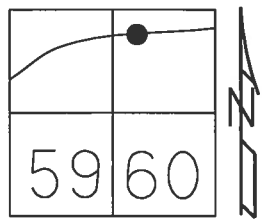


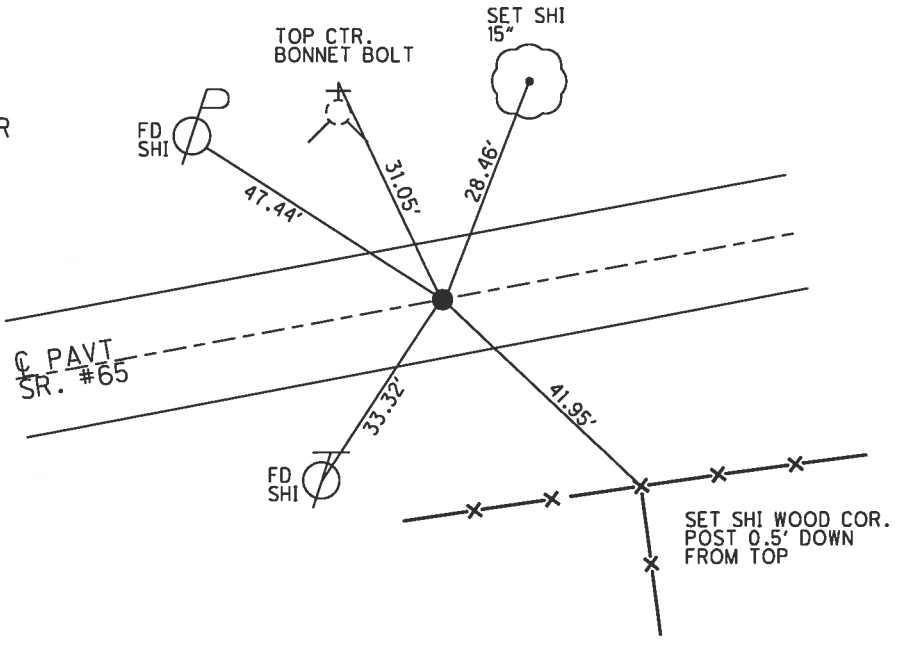
O.D.O.T. DISTRICT 2 SURVEY OFFICE (USE ONLY)

PERSONNEL _____ REFERENCE NO. 24 V SHEET 39 OF 44
 NOTES HOMAN DATE 6-23-14 ROUTE SR 65
 H.C. LEU WEATHER CLOUDY COUNTY WOOD
 R.C. THOMAS TEMP. 80°F TOWNSHIP PERRYSBURG
 _____ SECTION RT 60
 _____ T 7 N R 10 E

TYPE MONUMENT P.K./WASHER
~~ON SURFACE~~ - BELOW 1.5"
~~LEFT~~ - ℄ PAV'T - RIGHT 0.5
9.5' TO RT EDGE PAVEMENT
 S.L.M. 804+67.42
 Grid: Northing: 684743.628 Easting: 1644488.942



RECORD:
 STA. 802+63
 FD P.K.NAIL
 SET P.K./WASHER
 10-19-84, SWH
 FD P.K./WASHER
 5/23/95, SAH
 SET PK/WASHER
 8-8-95, SAH
 FD P.K./WASHER
 REFV24
 9/21/12, SAH
 6-23-14, JLL
 SET MAG/WASHER
 08-03-15, JLL



O.D.O.T. DISTRICT 2 SURVEY OFFICE

PERSONNEL _____

REFERENCE NO. _____

SHEET 67 OF 91

NOTES VAN DUSEN

H.C. MOSEK

R.C. CORDES

HUSS

DATE 5-23-95

WEATHER Sunny

TEMP. +80°F

ROUTE SR-65

COUNTY Wood

TOWNSHIP Perrysburg

SECTION RT 61

T 7 N R 10 E

TYPE MONUMENT PK/WASHER

ON SURFACE - ~~BELOW~~

~~LEFT - C PAV'T.~~ - RIGHT 0.5 FT

9.5 TO RT EDGE PAVEMENT

S.L.M. 802 + 63

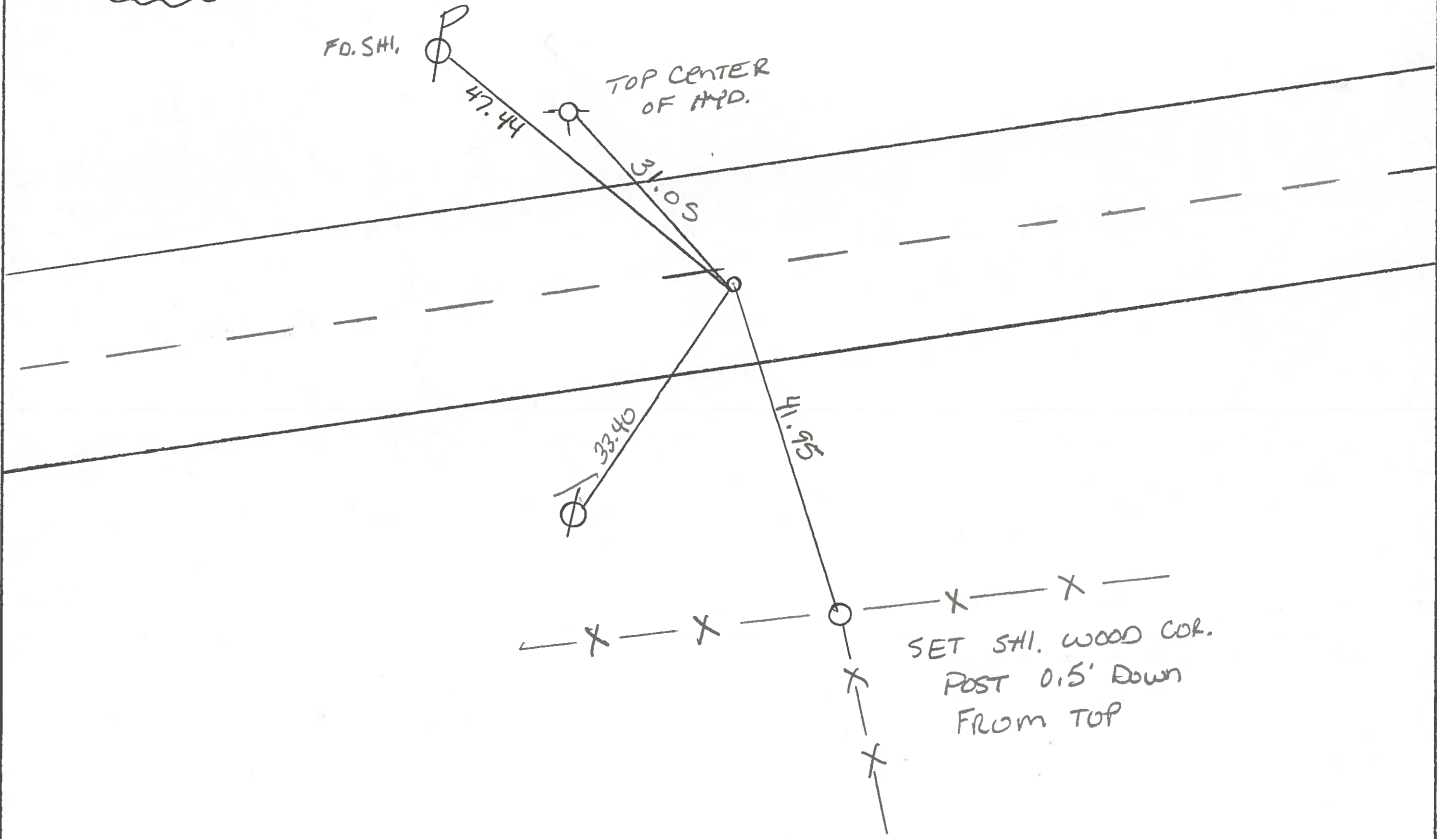
24-V

RT 60	RT 61
----------	----------



Record : Believe to have
 Fd PK @ surface been set by
 0.5' Rt & Pav Farnham &
 9.3' to Rt E.P. Wirries
 10.4 to Lt.EP
 Set PK/Washer
 10-19-84
 SWH

SET PK/WASHER
 8-8-95
 SAH



County Wood S.R. 65

Township PERRYSBURG

Section RT 61

T7N, R10E

Personnel HOFFMANN

HOUSEHOLDER HC

BARNHISEL RC

24-V

Date 5-9-84

Weather OVERCAST

Temp. 40°

RT	RT
60	61



Fd P.K. @ surface, Believe IT TO HAVE
 been set by FARNHAM,
 WIRRIES
 &
 BERNING

0.5' RT & PAUT
 9.3' TO RT. CR
 10.4' TO LTERP

SLM 802+63

SET PK/WASHER
 10-19-84
 S.W.H.

