

O.D.O.T. DISTRICT 2 SURVEY OFFICE (USE ONLY)

PERSONNEL _____ REFERENCE NO. 26 V SHEET 20 OF 25

NOTES LEU DATE 8/20/14 ROUTE SR 65
 H.C. HOMAN WEATHER PTLY CLOUDY COUNTY WOOD
 R.C. WESTFALL TEMP. 80° TOWNSHIP PERRYSBURG
 _____ SECTION RT 65
 _____ T 7 N R 10 E

TYPE MONUMENT MONBOX

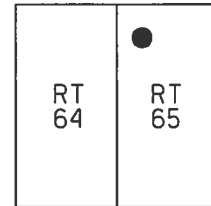
ON SURFACE - ~~BELOW~~ ON _____

LEFT - ☉ PAV'T - RIGHT ON

11.3' TO RT EDGE PAVEMENT

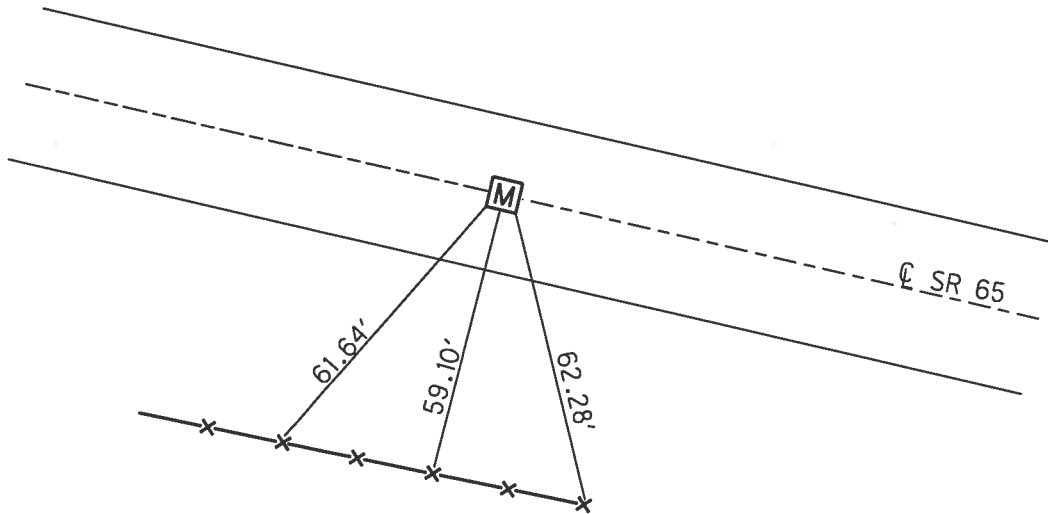
S.L.M. 898+92.56

Grid: Northing: 688129.783 Easting: 1653131.932



DIST. 26V-26W= 150.53'

RECORD:
 FD MONBOX
 5/18/95, SAH
 8/15/95, CL
 FD MONBOX
 "+" ON LID
 REFV26
 9/24/12, SAH
 REFQ26
 8/20/14, DCH



SET TACKS
 2.5' UP FACE
 SPLIT RAIL FEN

O.D.O.T. DISTRICT 2 SURVEY OFFICE

PERSONNEL _____

REFERENCE NO. _____

SHEET 87 OF 91

NOTES Van Dusen

H.C. Moser

R.C. Huss

DATE 5-18-95

WEATHER Cloudy

TEMP. +55° F

ROUTE SR-65

COUNTY Wood

TOWNSHIP Perrysburg

SECTION RT-65

T 7 N R 10 E

TYPE MONUMENT Mon Box's

ON SURFACE - BELOW on surface

LEFT - (C) PAV'T - RIGHT on E

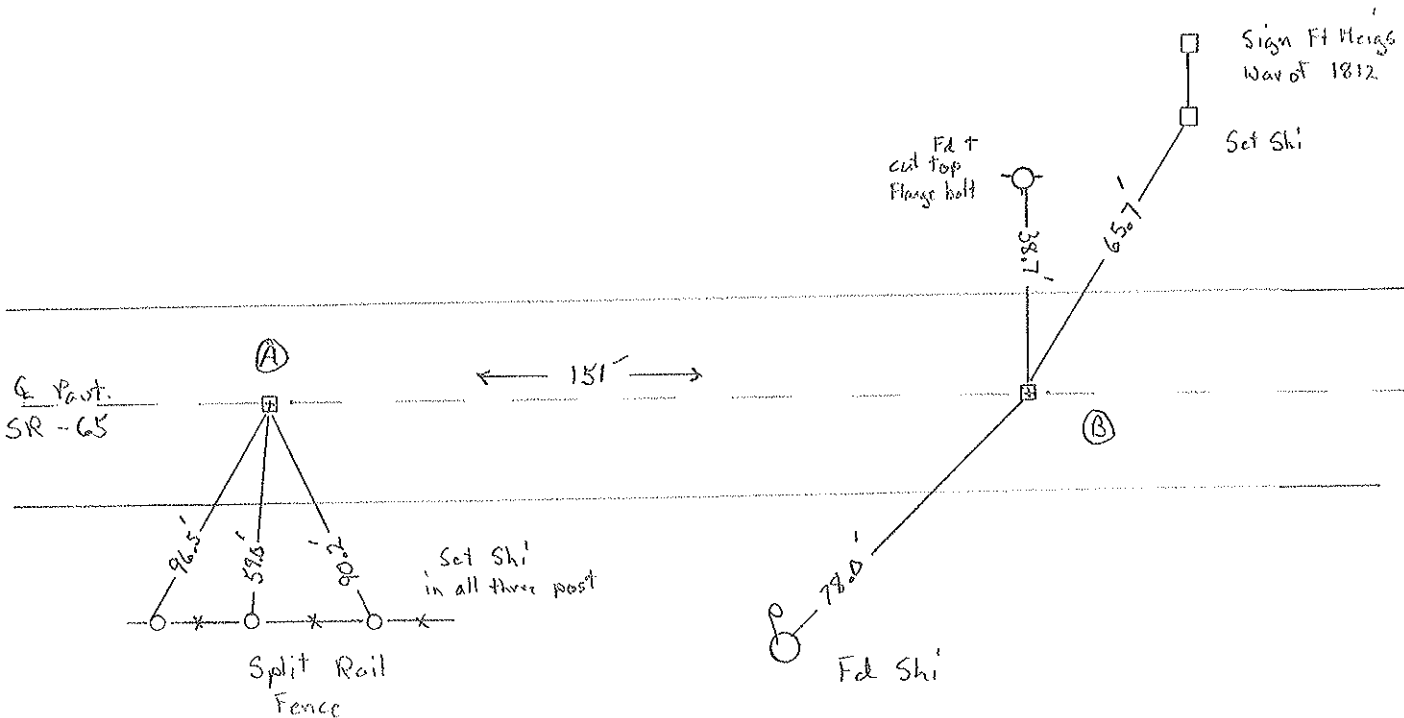
RT 64	RT 65
----------	----------



Ⓐ 11.3 TO RT EDGE PAVEMENT Ⓑ 10.9 to Rt. EOP

S.L.M. Ⓐ - 896+85 Ⓑ 898+36

Both Box's OK
8-15-95 C.L.



(Record)

Ⓐ
Ref. to + did not open box
0.5' Lt of E
11.8' Lt EOP
12.0' Rt EOP

Ⓑ
Ref. to + did not open box
0.5' Lt of E
11.2' Lt EOP
12.4' Rt EOP

County Wood S.R. 65

Date 5-11-84

Township Perrysburg

Weather P. CLEAR

Section R.T. 65

Temp. 60°

T7N, R10E

Personnel HOFFMAN

RT 64	RT 65
----------	----------



26-V

26-W

LOHRKE

HOUSEHOLDER H.C.

BARNHISEL R.C.

"A" Fd mon Box w/"+" on lid @ surface

SLM = 896 + 85

Ref. to "+" DID NOT OPEN BOX

0.5' LT. of ♀ PAUT

11.8' TO LT. EP.

12.0' TO RT. EP.

BOTH BOXES @ SURFACE

11-5-84

SWH

"B" Fd mon Box w/"+" on lid @ surface

SLM = 898 + 36

Ref. to "+" DID NOT OPEN BOX

0.5' LT. of ♀ PAUT

11.2' TO LT. EP.

12.4' TO RT. EP.

CUT "+"
TOP FLANGE
BOLT

FT. MEIGS
WAR of 1812

Set shi sign Post

