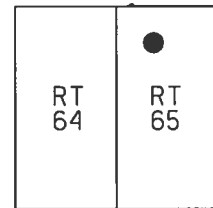


O.D.O.T. DISTRICT 2 SURVEY OFFICE (USE ONLY)

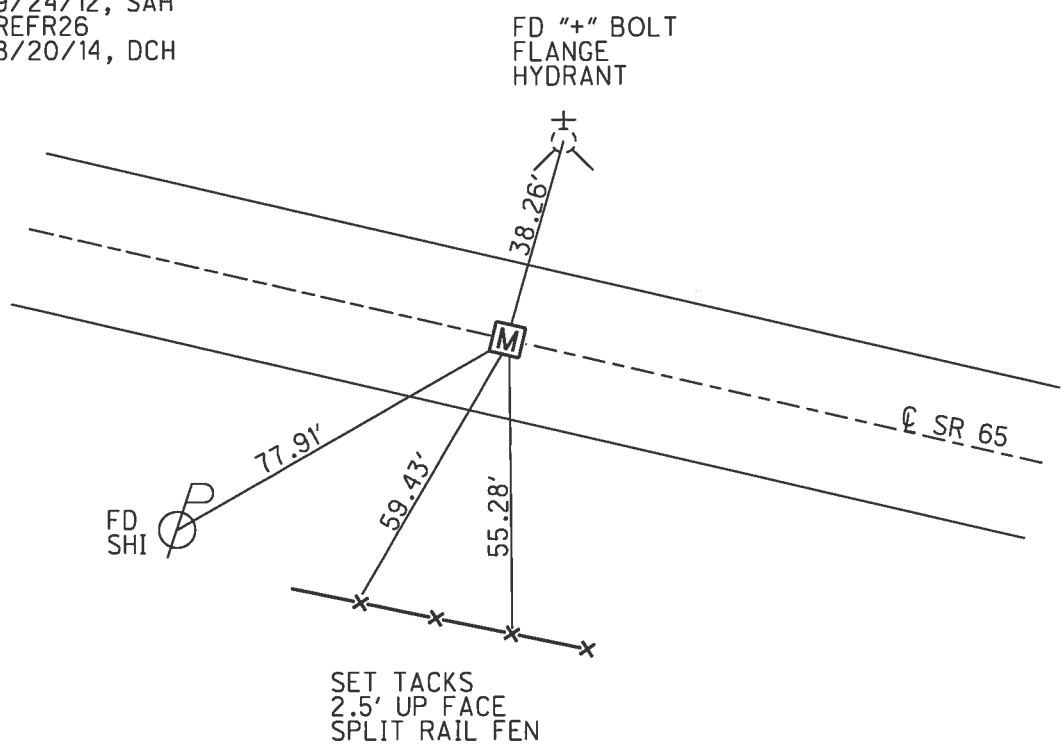
PERSONNEL \_\_\_\_\_ REFERENCE NO. 26 W SHEET 21 OF 25  
 NOTES LEU DATE 8/20/14 ROUTE SR 65  
 H.C. HOMAN WEATHER PTLY CLOUDY COUNTY WOOD  
 R.C. WESTFALL TEMP. 80° TOWNSHIP PERRYSBURG  
 SECTION RT 65  
 T 7 N R 10 E

TYPE MONUMENT MONBOX  
 ON SURFACE - ~~BELOW~~ ON  
 LEFT - ☉ PAV'T - RIGHT ON  
10.9' TO RT EDGE PAVEMENT  
 S.L.M. 900+40.58  
 Grid: Northing: 688094.501 Easting: 1653275.680



RECORD:  
 FD MONBOX  
 5/18/95, SAH  
 8/15/95, CL  
 FD MONBOX  
 "+" ON LID  
 REFW26  
 9/24/12, SAH  
 REFR26  
 8/20/14, DCH

DIST. 26V-26W= 150.53'



# O.D.O.T. DISTRICT 2 SURVEY OFFICE

PERSONNEL \_\_\_\_\_

REFERENCE NO. \_\_\_\_\_

SHEET 87 OF 91

NOTES Van Dusen

H.C. Moser

R.C. Huss

DATE 5-18-95

WEATHER Cloudy

TEMP. +55° F

ROUTE SR-65

COUNTY Wood

TOWNSHIP Perrysburg

SECTION RT-65

T 7 N R 10 E

TYPE MONUMENT Mon Box's

ON SURFACE - BELOW on surface

LEFT - (C) PAV'T - RIGHT on E

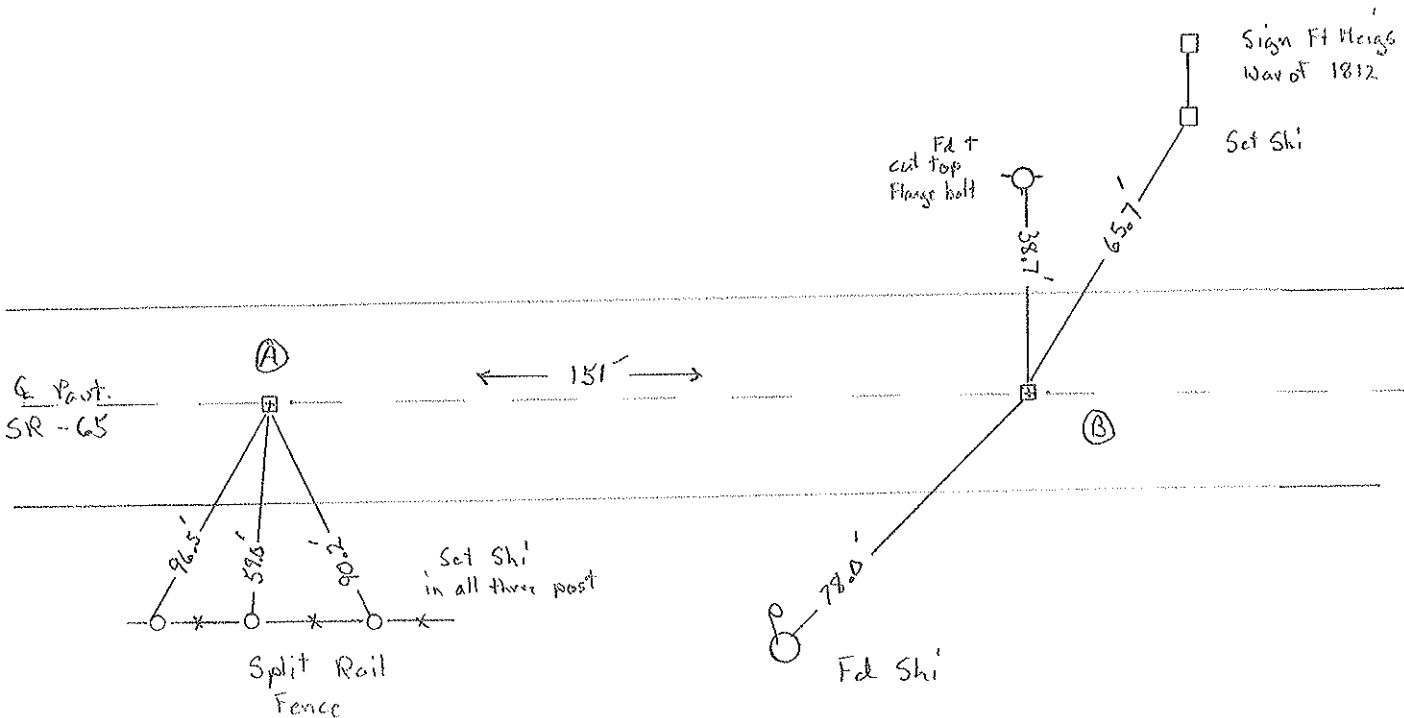
RT	RT
64	65



Ⓐ 11.3 TO RT EDGE PAVEMENT Ⓑ 10.9 to Rt. EOP

S.L.M. Ⓐ - 896+85 Ⓑ 898+36

Both Box's OK  
8-15-95 C.L.



(Record)

Ⓐ  
Ref. to + did not open box  
0.5' Lt of E  
11.8' Lt EOP  
12.0' Rt EOP

Ⓑ  
Ref. to + did not open box  
0.5' Lt of E  
11.2' Lt EOP  
12.4' Rt EOP

County Wood S.R. 65

Township PERRYSBURG

Section R.T. 65

T7N, R10E

Personnel HOFFMAN

LOHRKE

HOUSEHOLDER H.C.

BARNHISEL R.C.

Date 5-11-84

Weather P. CLEAR

Temp. 60°

26-V

26-W

RT 64	RT 65
----------	----------



"A" Fd mon Box w/"+" on lid @ surface SLM = 896 + 85  
 Ref. to "+" DID NOT OPEN BOX  
 0.5' LT. of ♀ PAUT  
 11.8' TO LT. EP.  
 12.0' TO RT. EP.

SLM = 896 + 85

BOTH BOXES @ SURFACE

11-5-84  
SWH

"B" Fd mon Box w/"+" on lid @ surface SLM = 898 + 36  
 Ref. to "+" DID NOT OPEN BOX  
 0.5' LT. of ♀ PAUT  
 11.2' TO LT. EP.  
 12.4' TO RT. EP.

SLM = 898 + 36

CUT "+"  
TOP FLANGE  
BOLT

FT. MEIGS  
WAR of 1812

Set shi sign Post

