

O.D.O.T. DISTRICT 2 SURVEY OFFICE (USE ONLY)

PERSONNEL \_\_\_\_\_ REFERENCE NO. 32 B SHEET 11 OF 21  
 NOTES AUBLE DATE 5-8-23 ROUTE SR 65  
 H.C. NIESE WEATHER CLOUDY COUNTY WOOD  
 R.C. AUBLE TEMP. 55° F TOWNSHIP PERRYSBURG  
 SECTION RT 75  
 DWG BY RHOADES PID PAVING TRAIN T 3 12 MILE RESERVE

TYPE MONUMENT MAG/WASHER

ON SURFACE - ~~BELOW~~ ON

OFFSET Q PAVEMENT 5.7' LT : RT

8.3' TO LT EDGE PAVEMENT

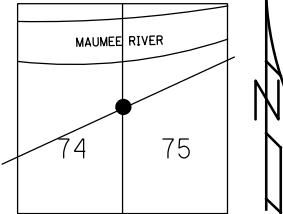
STATION: 1142+70

HORIZ.DATUM: NAD83 2011

GEOID: NAVD88 2018

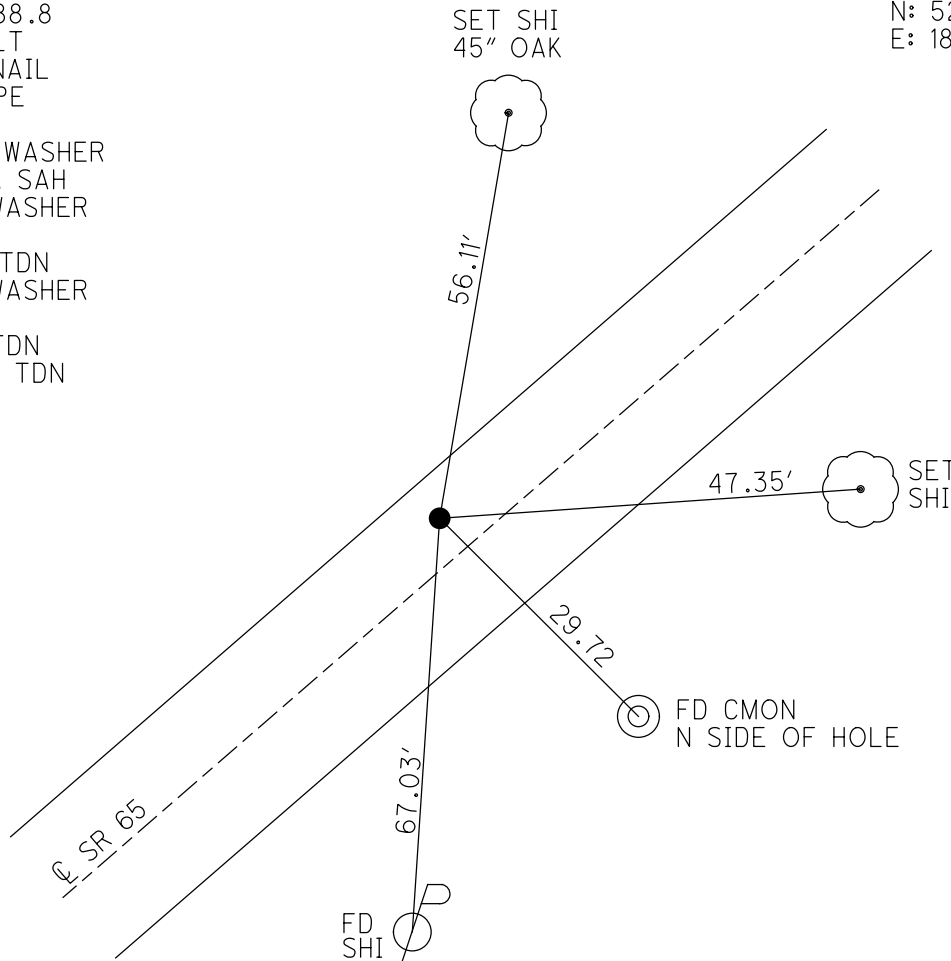
GRID: NORTHING: 701287.946

EASTING: 1670654.892



RECORD: P.I.  
 STA.138+88.8  
 $\Delta=0^{\circ}30'$  LT  
 SET P.K.NAIL  
 ATOP IPIPE  
 1937  
 SET MAG/WASHER  
 10-27-05, SAH  
 FD MAG/WASHER  
 REF32B  
 11-17-22, TDN  
 FD MAG/WASHER  
 REF32B  
 5-8-23, TDN  
 10/12/23, TDN

WOOD LPD:  
 N: 525066.922  
 E: 182597.864



O.D.O.T. DISTRICT 2 SURVEY OFFICE

PERSONNEL \_\_\_\_\_

REFERENCE NO. 32-B SHEET 12 OF 14

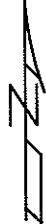
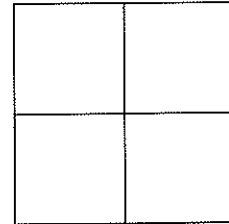
NOTES \_\_\_\_\_  
 H.C. HUSS  
 R.C. HOMAN  
MIKLOVIC

DATE 9-13-05  
 WEATHER SUNNY  
 TEMP. 86°

ROUTE S.R. 65  
 COUNTY WOOD  
 TOWNSHIP PERRYSBURG  
 SECTION RIVER TRACT

~~T-7-N~~ ~~R-11-E~~  
 TOWN 3, 12 mile Res.

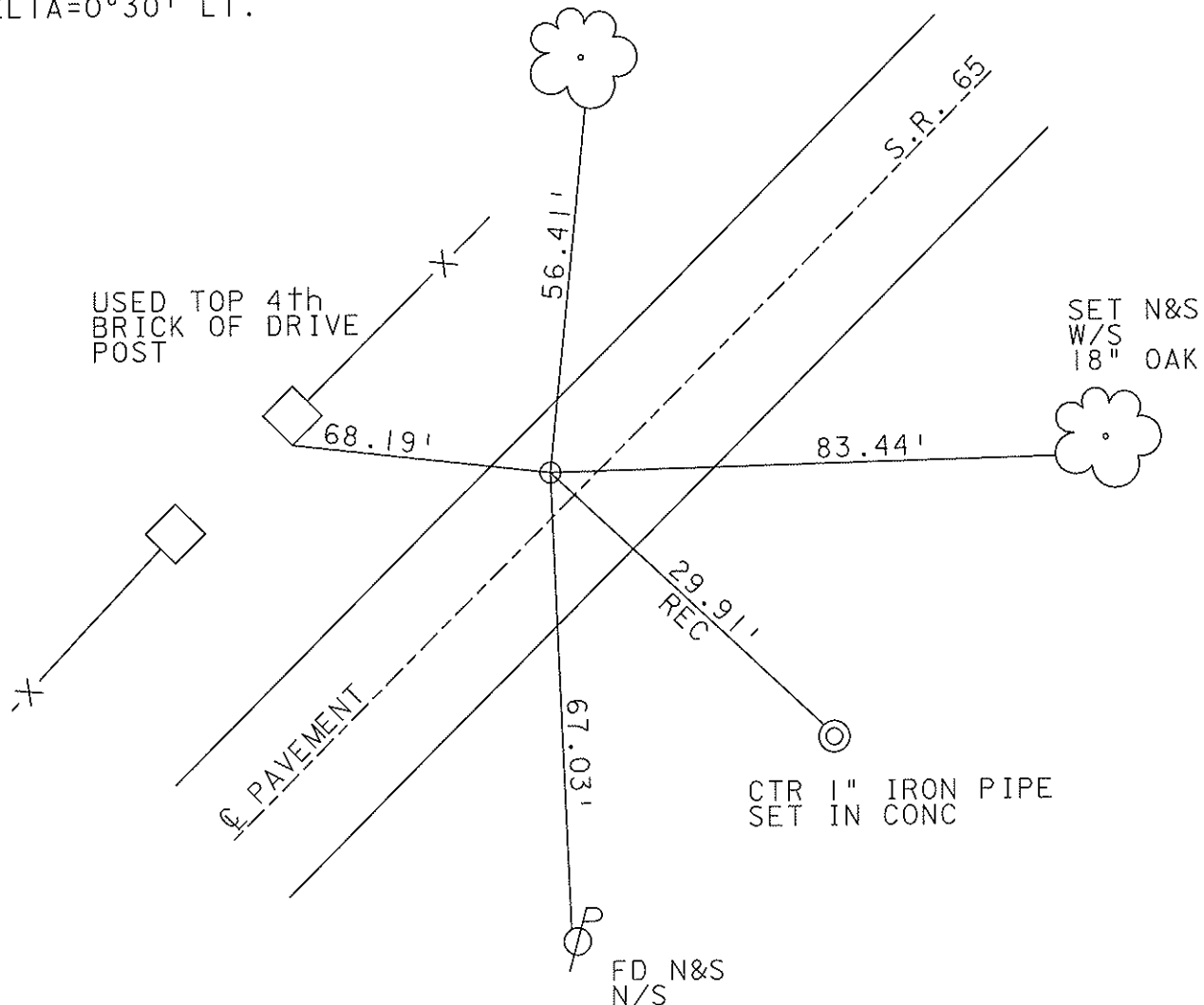
TYPE MONUMENT \_\_\_\_\_ PK NAIL  
 ON SURFACE - ~~BELOW~~ \_\_\_\_\_ ON  
 LEFT - ~~Q PAVT~~ ~~RIGHT~~ \_\_\_\_\_ S.7' LT.  
8.3' TO LT EDGE PAVEMENT  
 S.L.M. \_\_\_\_\_ 1142+70



RECORD  
 PK NAIL WAS SET  
 OVER I. PIPE  
 P.I. STA 138+88.8 (1937)  
 DELTA=0°30' LT.

FD N&S  
 SW/S  
 30" OAK

SET MAG NAILS  
 & WASHERS  
 10-27-05  
 SAH



# O.D.O.T. DISTRICT 2 SURVEY OFFICE

PERSONNEL

REFERENCE NO. 32 B

SHEET      OF     

NOTES BARNHISEL

H.C. Reed

DATE 5-3-88

ROUTE 65

R.C. Loehrke

WEATHER SUNNY

COUNTY WOODS

HOFFMAN

TEMP. +62°

TOWNSHIP Perryburg

SECTION R.T. 74

T. 8 N. R. 11 E

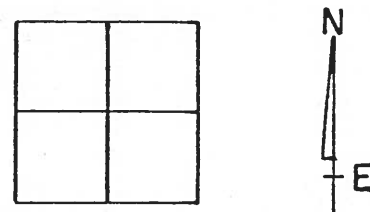
TYPE MONUMENT P.K. NAIL

ON SURFACE - BELOW yes

LEFT - ☉ PAV'T. - RIGHT 4.5

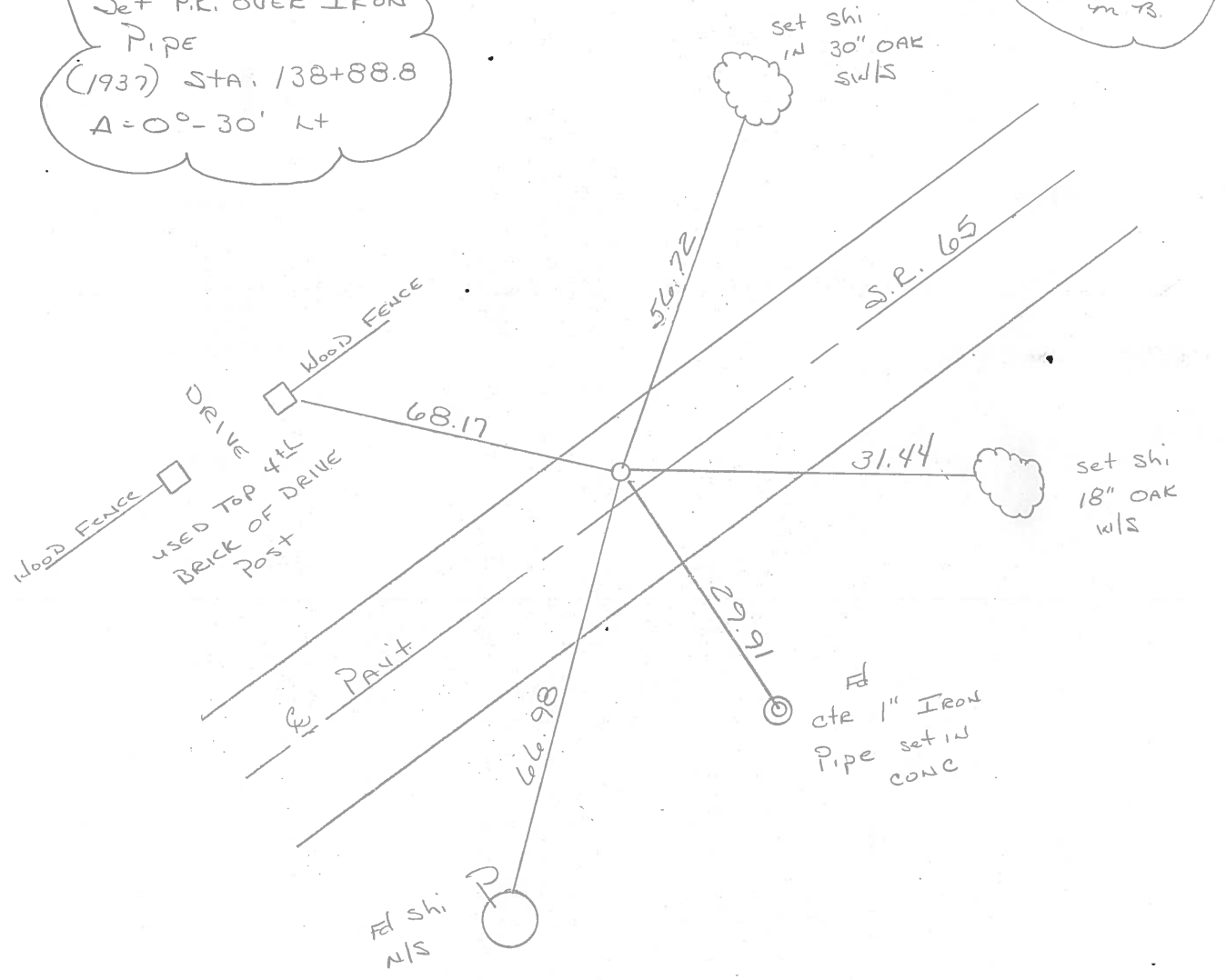
11.1 TO Lt EDGE PAVEMENT

S.L.M. 1142+70



RECORD  
Set P.K. OVER IRON  
PIPE  
(1937) STA. 138+88.8  
A = 0° - 30' Lt

Set P.K. & Washer  
8-29-88  
m 73



O.D.O.T. DISTRICT 2 SURVEY OFFICE

SHEET \_\_\_\_\_ OF \_\_\_\_\_

County Wood S.R. 65

Date 17 Nov. 80

Township \_\_\_\_\_

Weather Cloudy

Section \_\_\_\_\_

Temp. 36°

T    N, R    E

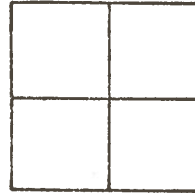
Personnel L. Stone

R. Michalade

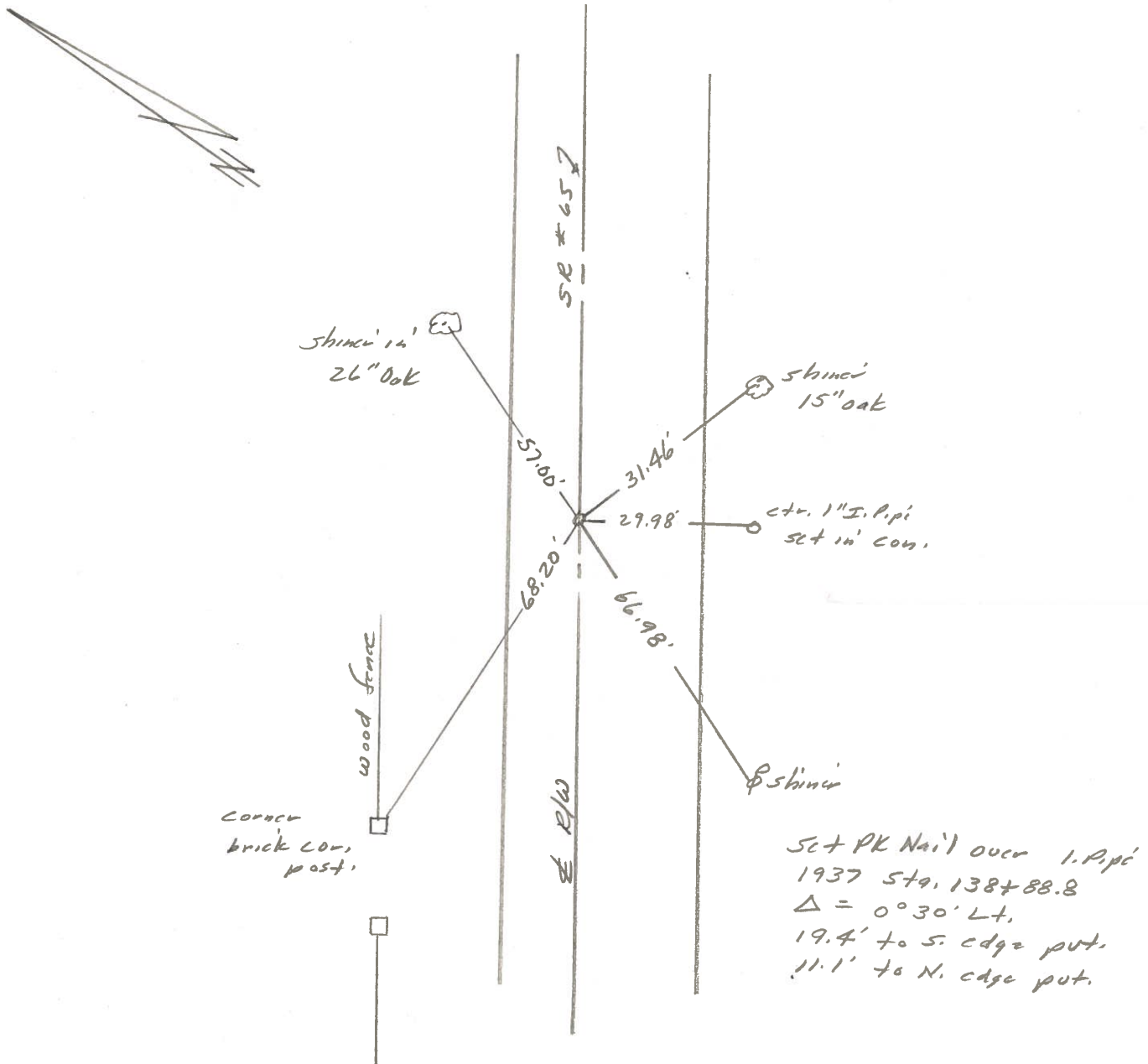
P. Neusev

D. Curtis

H. Mead



REF. NO. 32 B



O.D.O.T. DISTRICT 2 SURVEY OFFICE

Sht. 18 of 20  
5.2.65

County WOOD

Date 8-1-78

Township PERRYSBURG

Weather CLEAR

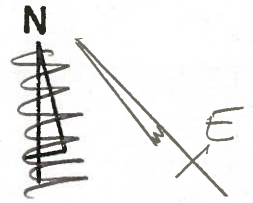
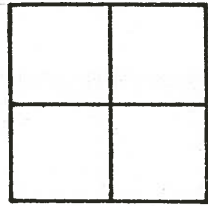
Section \_\_\_\_\_

Temp. +70°

T N, R E

Personnel BURNSIDE  
BOWERS

32-B



P.I.  
S.L.M. STA = 1142+59.00  
OLD STA 138+88.8  
 $\Delta = 0^\circ - 30' \text{ LT.}$   
OLD TIES TO I. PIPE  
GOOD - USED SAME  
TO EST. & R/W  
SET NAIL & SHI,  
4' LT OF CTR. PAVE.

