

O.D.O.T. DISTRICT 2 SURVEY OFFICE (USE ONLY)

PERSONNEL

REFERENCE NO. A

SHEET 1 OF 30

NOTES O'DONNELL DATE 9/13/19

ROUTE SR 105

H.C. ----- WEATHER -----

COUNTY WOOD

R.C. ----- TEMP. -----

TOWNSHIP CENTER

DWG BY BALBAUGH PID 101007

SECTION 20

T 5 N R 11 E

TYPE MONUMENT CMON

ON SURFACE - BELOW -

OFFSET \odot PAVEMENT - LT : RT

- TO - EDGE PAVEMENT

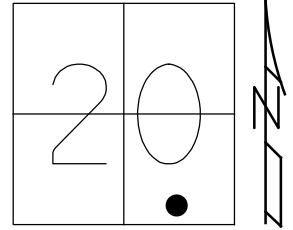
STATION: 20+38.08

HORZ.DATUM: NAD83(2011)

GEOID: 2012A

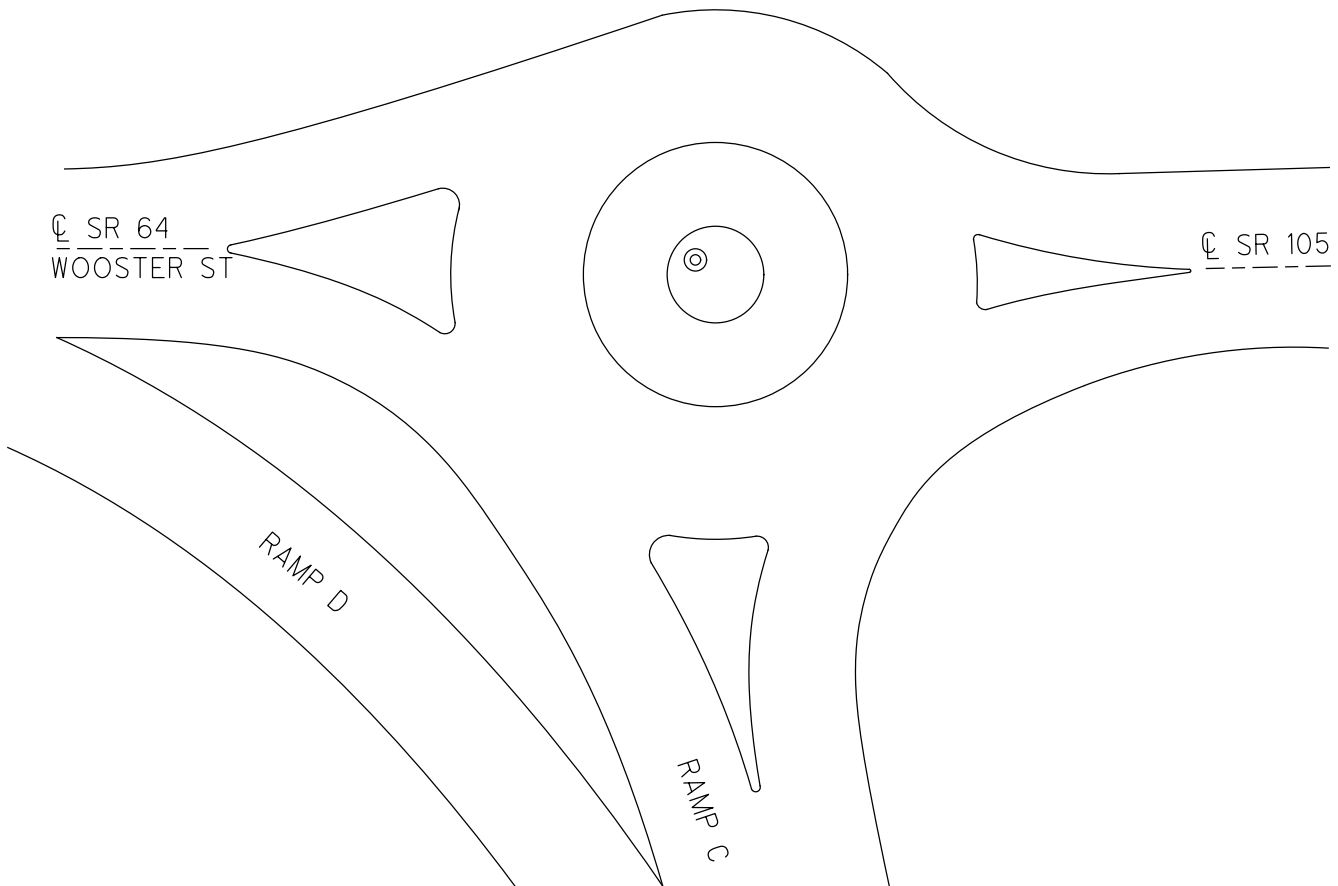
GRID: NORTHING: 624134.539

EASTING: 1662801.316



RECORD:
FD CMON
REFA1
9/13/19, JFO

NOTE: SR 64 REF 0



County WOOD S.R. 105

Date 6-14-71

Township CENTER

Weather CLOUDY

Section 20

Temp. ± 72°

T N, R E

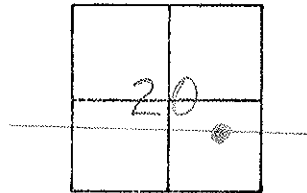
Personnel BURNSIDE

SMITH

BOWERS

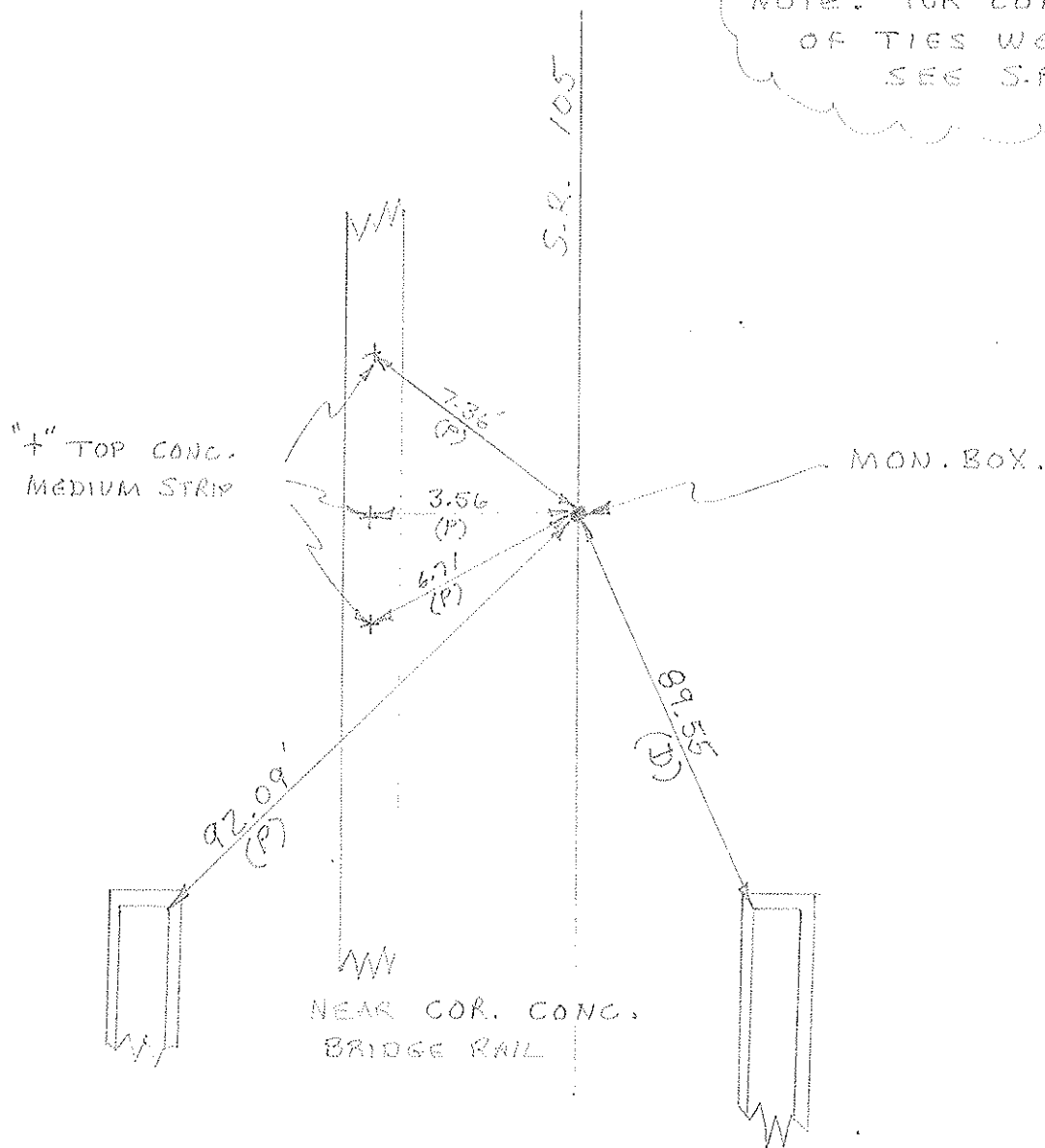
HOLCOMBE

ROCHINE



A

NOTE: FOR CONTINUATION
OF TIES WEST
SEE S.R. #64



I-75

COPIED

SHEET NO. 1

PERSONNEL	TITLE	PERSONNEL	TITLE
BURNSIDE		Rocchini	
SMITH			
BOWERS			
HOLCOMBE			

COUNTY Wood DATE 6-14-71

S. R. 105 WEATHER Cloudy

SEC. _____ TEMP. +72°

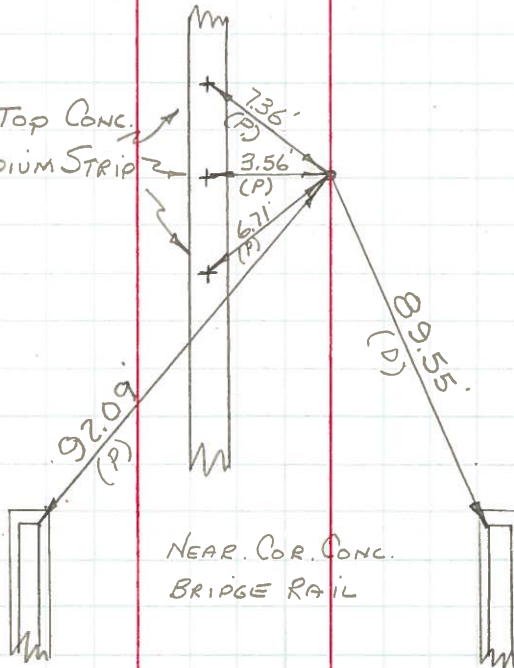
DESCRIPTION _____ LEFT _____ CENTER LINE _____ RIGHT _____ JOB NO. _____



#1
A

Mon. Box.

4" Top Conc.
MEDIUM STRIP



NEAR. COR. CONC.
BRIDGE RAIL

I-75

NOTE: FOR CONTINUATION OF TIES
WEST, SEE S.R. 64