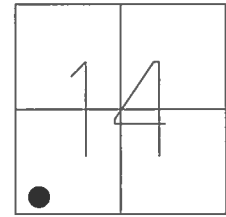


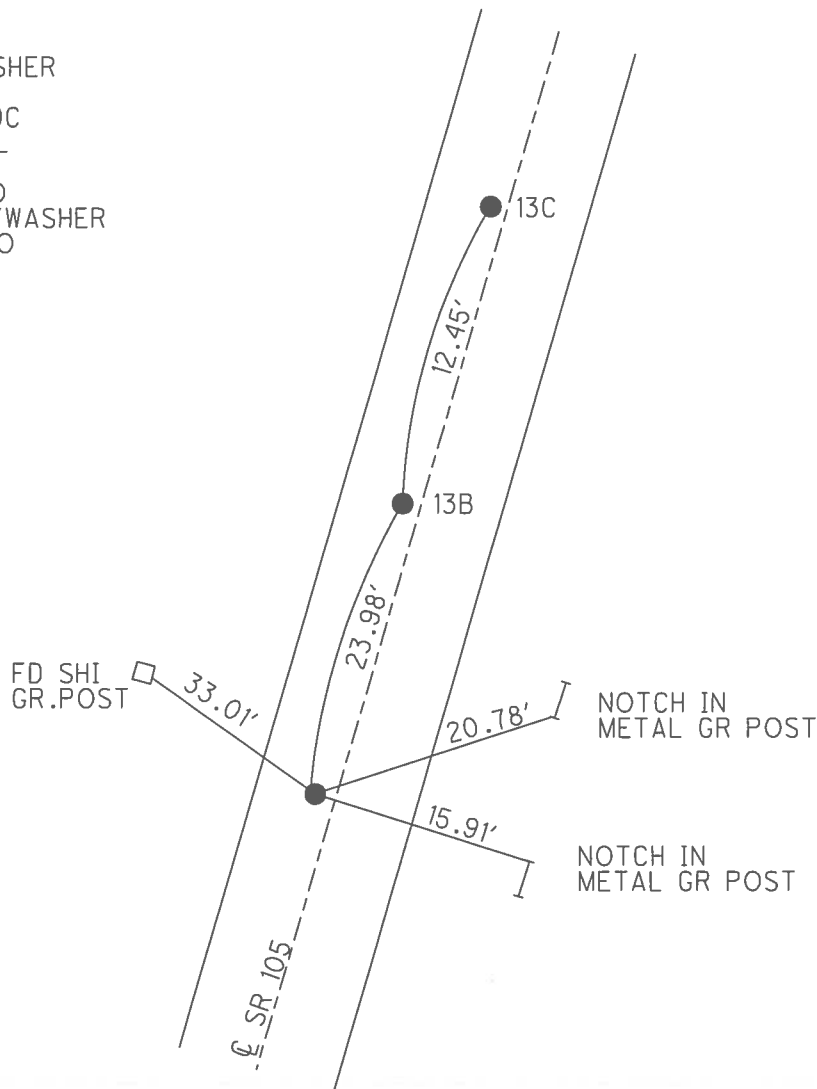
O.D.O.T. DISTRICT 2 SURVEY OFFICE (USE ONLY)

PERSONNEL	REFERENCE NO.	13 A	SHEET	23	OF	28
NOTES	RHOADES	DATE	5/31/17	ROUTE	SR 105	
H.C.	O'DONNELL	WEATHER	WINDY	COUNTY	WOOD	
R.C.	RHOADES	TEMP.	65°	TOWNSHIP	WEBSTER	
				SECTION	14	
				T	5	N
				R	11	E

TYPE MONUMENT 1" MAG/WASHER  
 ON SURFACE - ~~BELOW~~ ON  
 LEFT - Q PAV'T - ~~RIGHT~~ 0.6'  
 10.85' TO LT EDGE PAVEMENT  
 S.L.M. 157+00  
 GRID: NORTHING: 627985.615 EASTING: 1674578.240



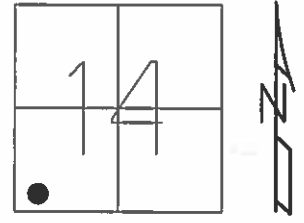
RECORD:  
 FD MAG/WASHER  
 FINRE06  
 7/25/12, SDC  
 FD MAG NAIL  
 REFA13  
 6/3/16, JFO  
 SET 1" MAG/WASHER  
 5/31/17, JFO



O.D.O.T. DISTRICT 2 SURVEY OFFICE (USE ONLY)

PERSONNEL \_\_\_\_\_ REFERENCE NO. 13 A SHEET 2 OF 7  
 NOTES CODER \_\_\_\_\_ DATE 7/25/12 ROUTE SR 105  
 H.C. RHOADES WEATHER CLEAR COUNTY WOOD  
 R.C. COUTCHER TEMP. 80° TOWNSHIP WEBSTER  
 \_\_\_\_\_ SECTION 14  
 \_\_\_\_\_ T 5 N R 11 E

TYPE MONUMENT MAG/WASHER  
 ON SURFACE - ~~BELOW~~ ON  
 LEFT - ☉ PAV'T - ~~RIGHT~~ 0.6'  
10.85' TO LT. EDGE PAVEMENT  
 S.L.M. 157+00



GRID: NORTHING: 627985.661 EASTING: 1674578.117

RECORD:  
 LT. SAME WD  
 GR PAST N/S  
 1' FROM GRND.  
 GPS, FINRE06  
 SDC, 7-25-12

