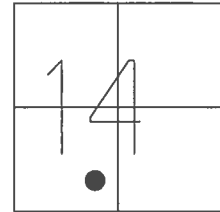


**O.D.O.T. DISTRICT 2 SURVEY OFFICE (USE ONLY)**

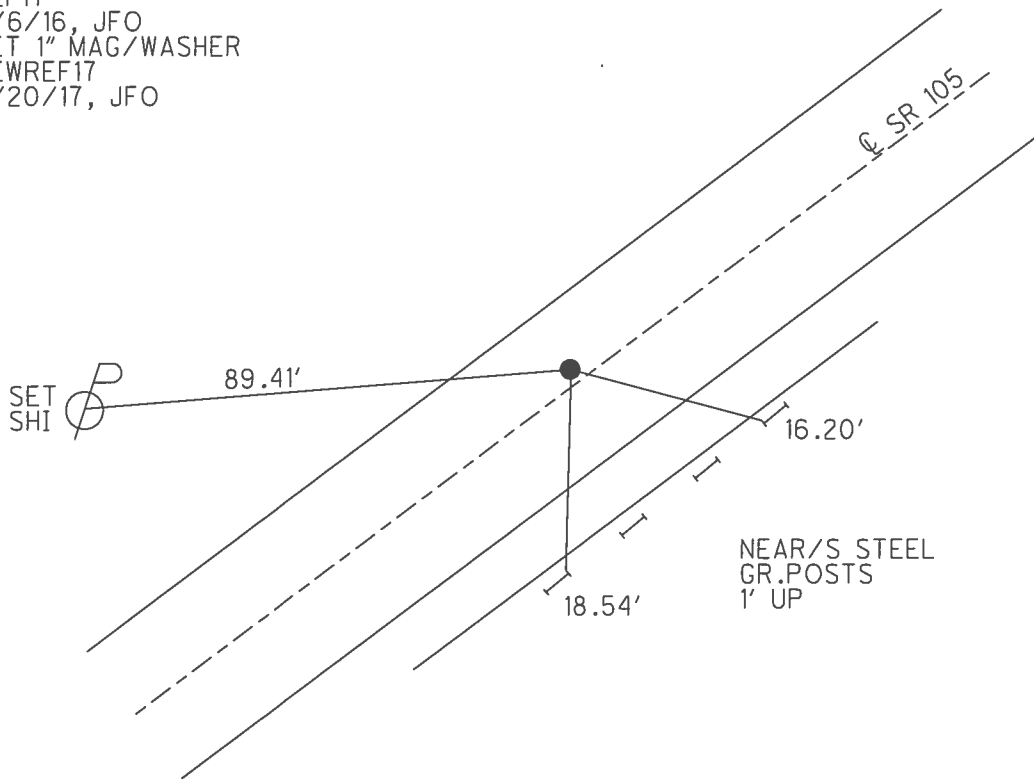
PERSONNEL	REFERENCE NO.	17	SHEET	6	OF	54
NOTES	RHOADES	DATE	9/12/16	ROUTE	SR 105	
H.C.	O'DONNELL	WEATHER	SUNNY	COUNTY	WOOD	
R.C.	RHOADES	TEMP.	55°	TOWNSHIP	WEBSTER	
				SECTION	14	
				T	5	N
				R	11	E

TYPE MONUMENT P.K./WASHER  
 ON SURFACE - ~~BELOW~~ ON  
 LEFT - ☉ PAV'T - ~~RIGHT~~ 0.6'  
8.5' TO LT EDGE PAVEMENT  
 S.L.M. 172+11



GRID: NORTHING: 628617.619 EASTING: 1675980.362

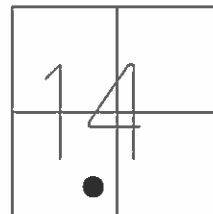
RECORD: P.I.  
 STA. 173+06.39  
 $\Delta = 6^{\circ}-13'-20''$  RT.  
 FD P.K./WASHER  
 4/1/02, KPM  
 SET P.K./WASHER  
 5/28/02, DCH  
 FD P.K./WASHER  
 REF17  
 6/6/16, JFO  
 SET 1" MAG/WASHER  
 NEWREF17  
 6/20/17, JFO



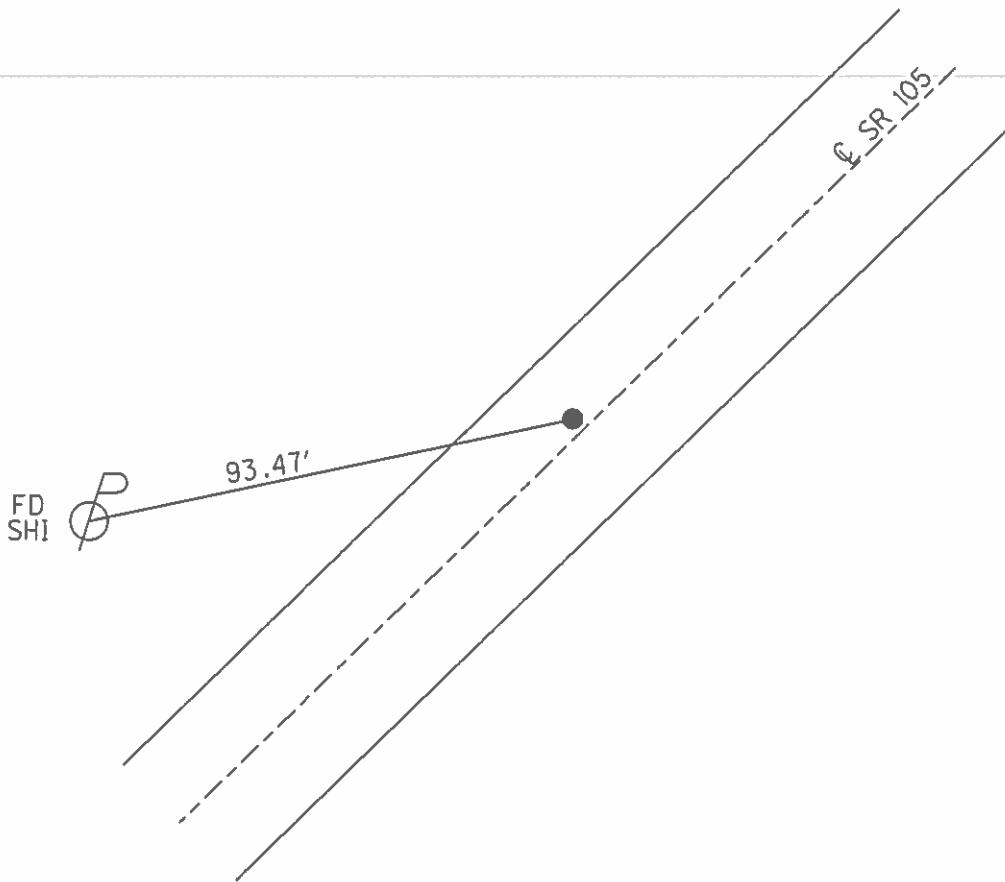
O.D.O.T. DISTRICT 2 SURVEY OFFICE (USE ONLY)

PERSONNEL \_\_\_\_\_ REFERENCE NO. 17 SHEET 6 OF 54  
 NOTES MOSE DATE 4/15/02 ROUTE SR 105  
 H.C. CANTERBURY WEATHER SUNNY COUNTY WOOD  
 R.C. BARNHISEL TEMP. 75° TOWNSHIP WEBSTER  
 SECTION 14  
T 5 N R 11 E

TYPE MONUMENT P.K./WASHER  
 ON SURFACE - ~~BELOW~~ ON \_\_\_\_\_  
 LEFT - ☉ PAV'T - ~~RIGHT~~ 1.5'  
8.5' TOLT EDGE PAVEMENT  
 S.L.M. 172+11  
 GRID: NORTHING: \_\_\_\_\_ EASTING: \_\_\_\_\_



RECORD: P.I.  
 STA. 173+06.39  
 $\Delta = 6^{\circ}-13'-20''$  RT.  
 SET P.K./WASHER  
 5/28/02, DCH



# O.D.O.T. DISTRICT 2 SURVEY OFFICE

PERSONNEL

REFERENCE NO. 17

SHEET 22 OF 57

NOTES LONG

H.C. VANDUSEN

DATE 8-19-91

ROUTE 105

R.C. BARNHISEL

WEATHER cloudy

COUNTY WOOD

TEMP. 75°

TOWNSHIP WEBSTER

SECTION 14

T 5 N R 11 E

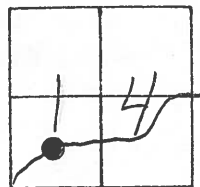
TYPE MONUMENT PK/WASHER

ON SURFACE - BELOW YES

LEFT-C PAV'T. - RIGHT 1.4'

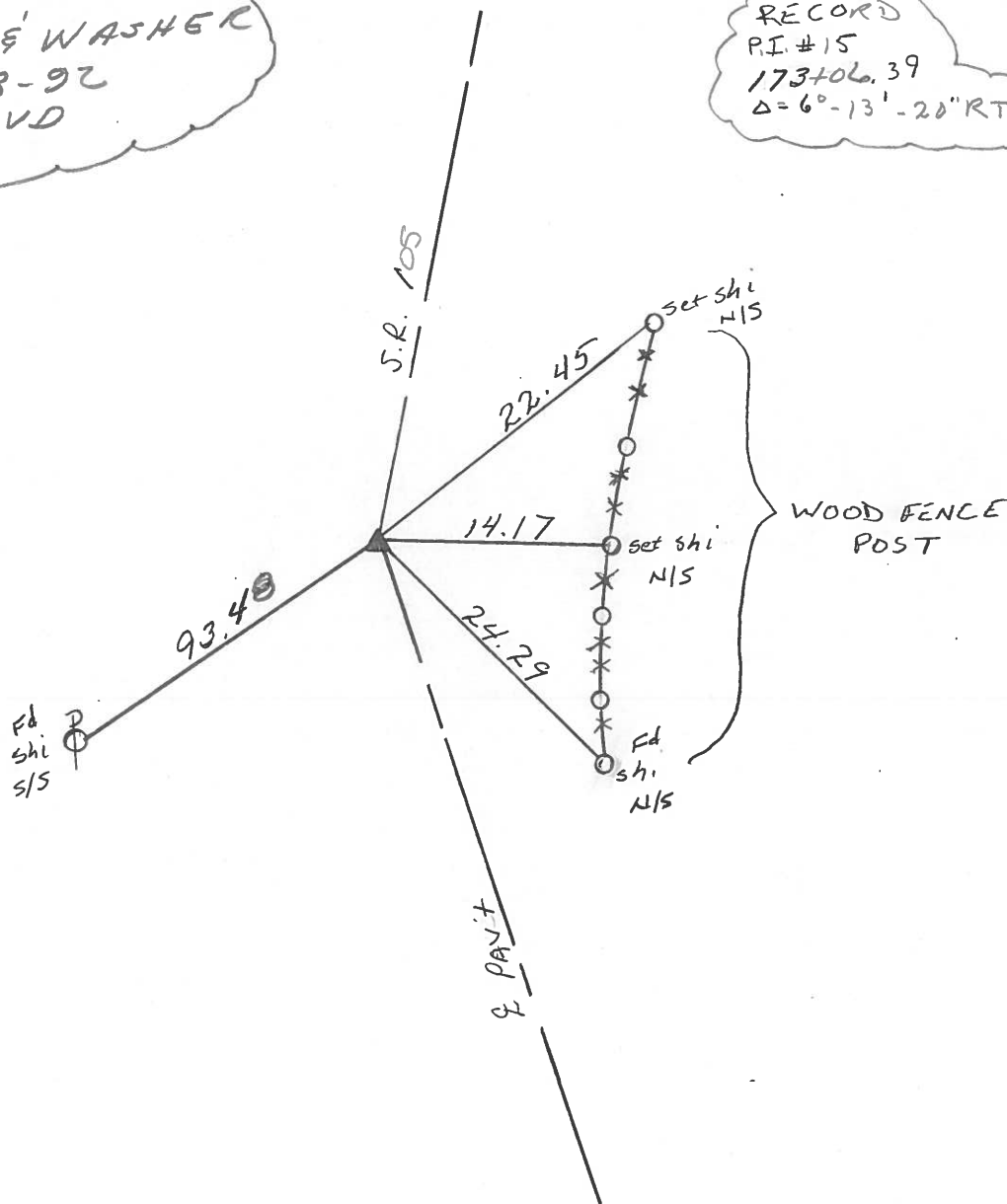
11.4' TO RT EDGE PAVEMENT

S.L.M. 172+11



SET. PK & WASHER  
9-8-92  
BVD

RECORD  
P.I. #15  
173+06.39  
Δ = 6°-13'-20" RT



County WOOD S.R. 105

Date 4-20-82

Township WEBSTER

Weather CLOUDY

Section 14

Temp. +50°

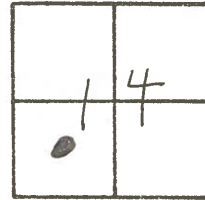
T N, R E

Personnel HOFFMAN

HOUSEHOLDER

LOEHRKE

#17



P.I. #15

173+06.39

$\Delta = 6^{\circ}-13'-20''$  RT.

SET P.K./WASHER

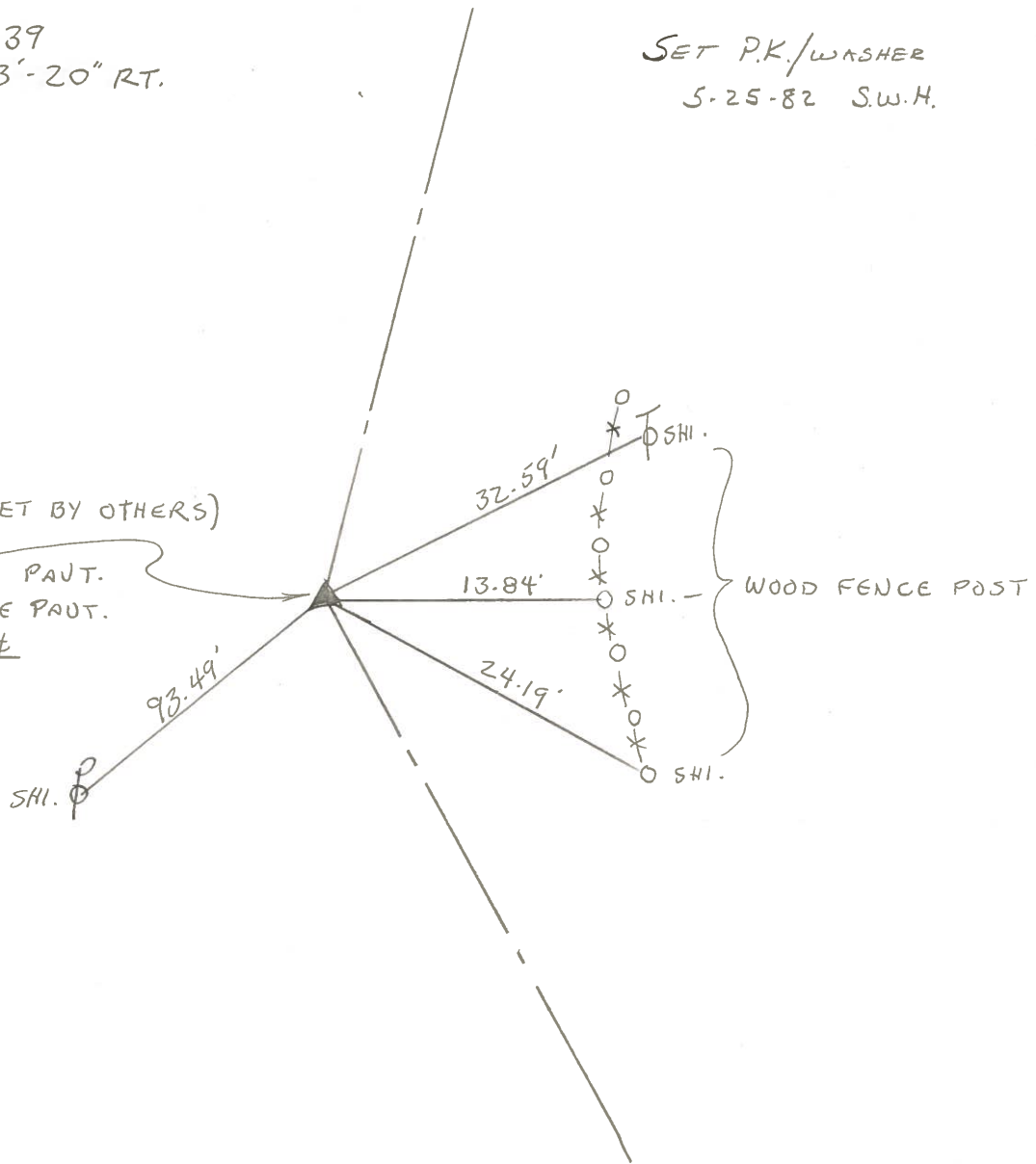
5-25-82 S.W.H.

FD. P.K. NAIL (SET BY OTHERS)

10.9' - E. EDGE PAUT.

8.5' - TO W. EDGE PAUT.

1.0' LT. OF  $\Phi$



PERSONNEL	TITLE	PERSONNEL	TITLE	COUNTY	DATE
Stone	Notes			Wood	22 Sept. 72
Michalak	R.C.			S. R. #105	WEATHER Cool
Dennis	H.C.				
Curtis	SA			SEC. 17	TEMP. 65°

DESCRIPTION References to Control Points JOB NO. \_\_\_\_\_

