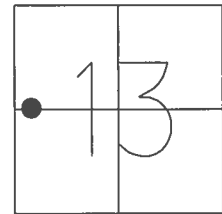


O.D.O.T. DISTRICT 2 SURVEY OFFICE (USE ONLY)

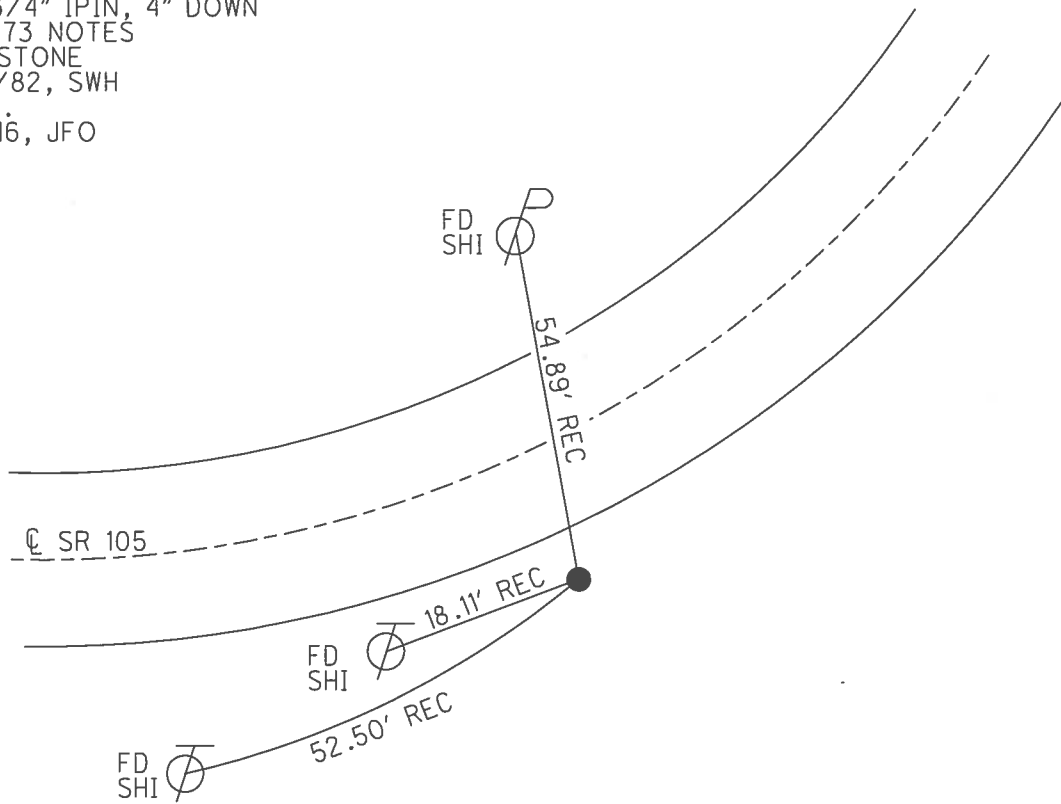
PERSONNEL _____ REFERENCE NO. 26 SHEET 24 OF 54
 NOTES LONG DATE 8/26/91 ROUTE SR 105
 H.C. VAN DUSEN WEATHER SUNNY COUNTY WOOD
 R.C. BARNHESEL TEMP. 85° TOWNSHIP WEBSTER
 _____ SECTION 13
 _____ T 5 N R 11 E

TYPE MONUMENT 3/4" IPIN
~~ON SURFACE~~ - BELOW 5"
~~LEFT~~ - CL PAV'T - RIGHT 6.2'
5.4' TO S EDGE PAVEMENT
 S.L.M. 217+58



GRID: NORTHING: _____ EASTING: _____

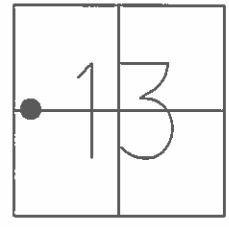
RECORD: P.I.
 STA. 218+67.27
 $\Delta = 31^\circ - 42' - 20''$ LT
 SET 3/4" IPIN, 4" DOWN
 FR/1973 NOTES
 BY I.STONE
 5/27/82, SWH
 D.N.F.
 6/9/16, JFO



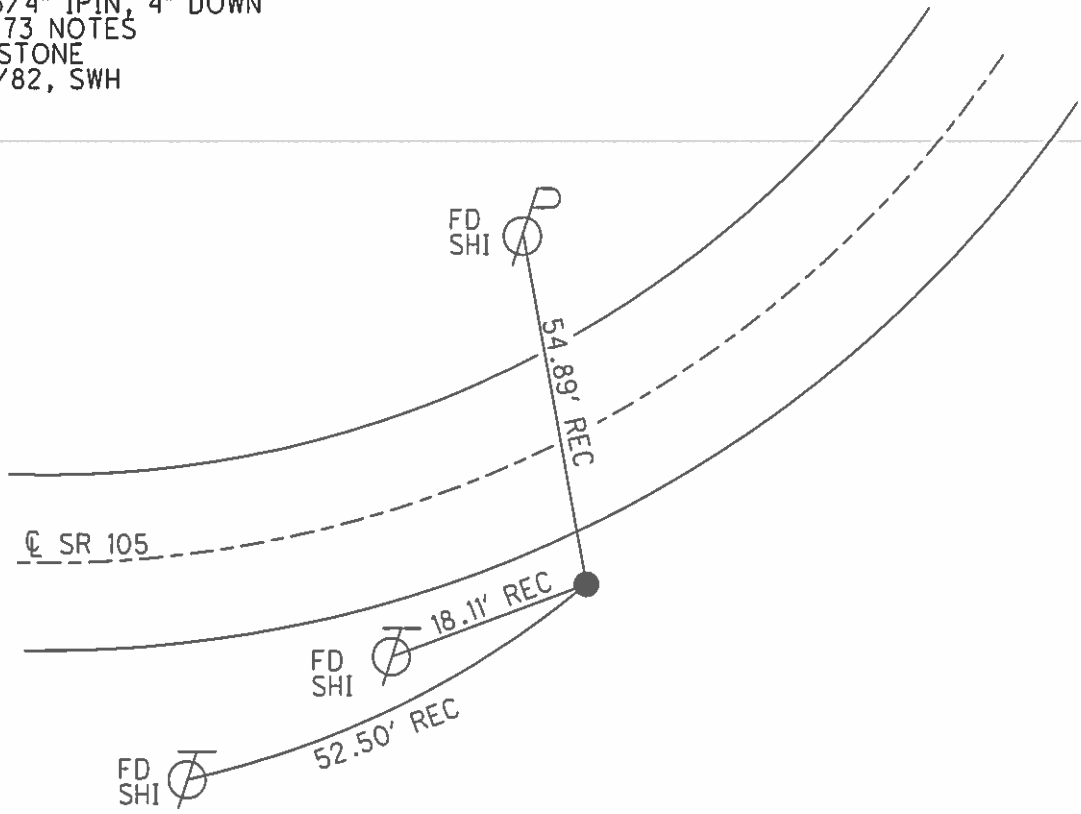
O.D.O.T. DISTRICT 2 SURVEY OFFICE (USE ONLY)

PERSONNEL _____ REFERENCE NO. 26 SHEET 24 OF 54
 NOTES LONG DATE 8/26/91 ROUTE SR 105
 H.C. VAN DUSEN WEATHER SUNNY COUNTY WOOD
 R.C. BARNHISEL TEMP. 85° TOWNSHIP WEBSTER
 SECTION 13
T 5 N R 11 E

TYPE MONUMENT 3/4" IPIN
~~ON SURFACE~~ - BELOW 5"
~~LEFT~~ - CL PAV'T - RIGHT 6.2'
5.4' TO S EDGE PAVEMENT
 S.L.M. 217+58
 GRID: NORTHING: _____ EASTING: _____



RECORD: P.I.
 STA. 218+67.27
 $\Delta = 31^\circ - 42' - 20''$ LT
 SET 3/4" IPIN, 4" DOWN
 FR/1973 NOTES
 BY I.STONE
 5/27/82, SWH



O.D.O.T. DISTRICT 2 SURVEY OFFICE

PERSONNEL

REFERENCE NO. 26

SHEET 36 OF 57

NOTES LONG

H.C. VANDUSEN

R.C. BARNHISEL

DATE 8-26-91

WEATHER SUNNY

TEMP. 85°

ROUTE 105

COUNTY WOOD

TOWNSHIP WEBSTER

SECTION 13

T5 N R 11 E

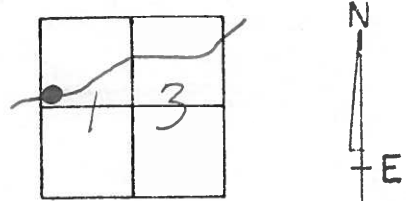
TYPE MONUMENT 3/4" I. ROD TRK

ON SURFACE - BELOW 5"

LEFT - C PAV'T. - RIGHT 16.2"

5.4' TO S EDGE PAVEMENT

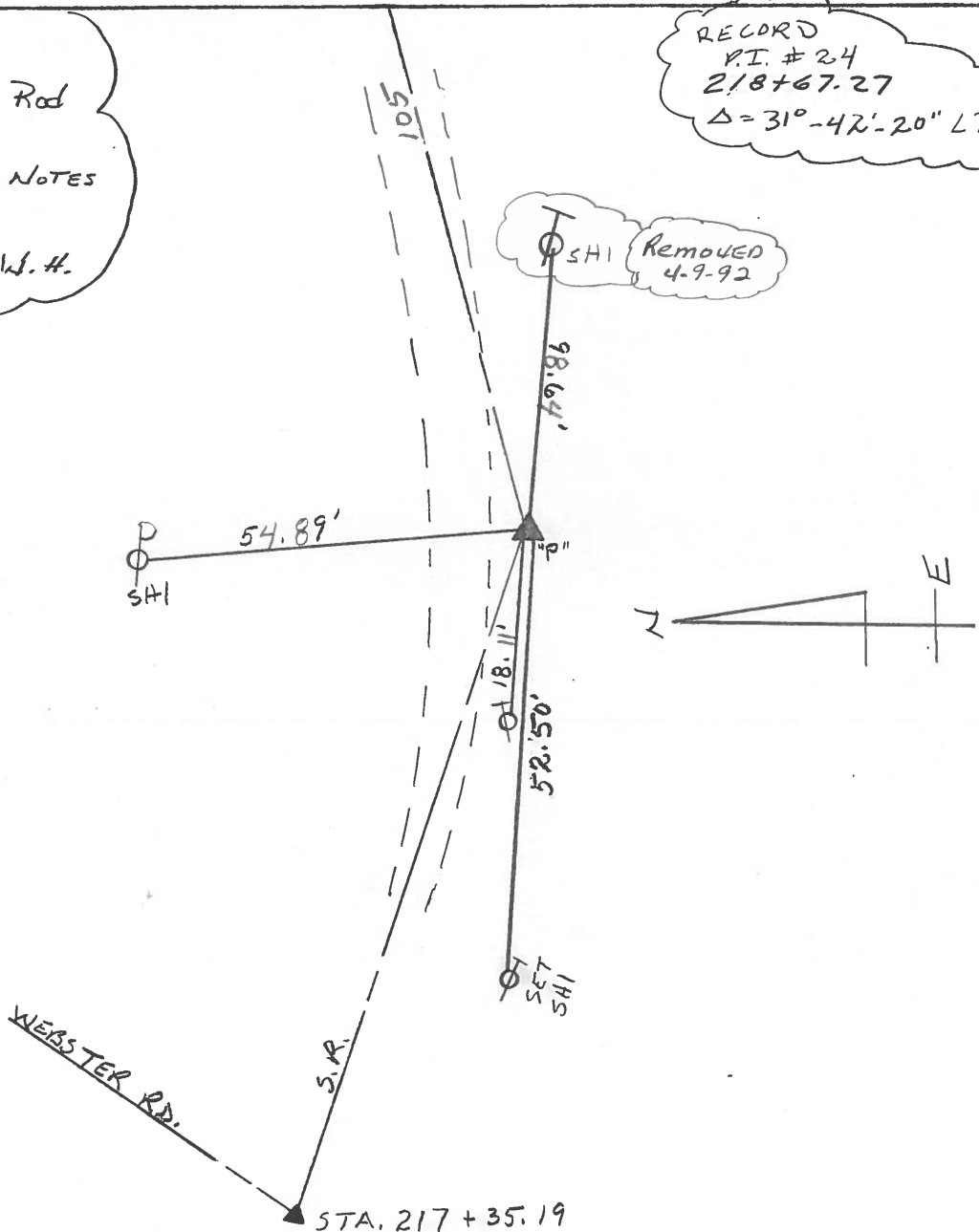
S.L.M. 217+58



RECORD:
 SET 3/4" IRON Rod
 4" DEEP.
 SET FROM 1973 NOTES
 BY I. STONE
 5-27-82 S.W.H.

RECORD
 P.I. # 24
 218+67.27
 Δ = 31°-42'-20" LT.

SH1 Removed
 4-9-92



County WOOD S.R. 105

Date MAY-15-73

Township WEBSTER

Weather FAIR

Section 13

Temp. 55°

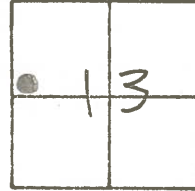
T N, R E

Personnel STONE

MICHALAK

CURTIS

DENNO



#26

P.I. #24

218+67.27'

$\Delta = 31^\circ - 42' - 20''$ LT.

THIS POINT SHOULD BE RESET

SET 3/4" I. ROD 4" DEEP.
 SET FROM 1973 NOTES BY
 I. STONE
 5-27-82 S.W.H.

SET STAKE AND TACK
4.4' TO S. EDGE PUT.

