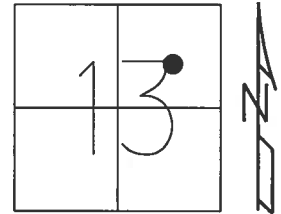


O.D.O.T. DISTRICT 2 SURVEY OFFICE (USE ONLY)

PERSONNEL	REFERENCE NO.	<u>37</u>	SHEET	<u>37</u>	OF	<u>54</u>
NOTES	<u>RHOADES</u>	DATE	<u>10/17/17</u>	ROUTE	<u>SR 105</u>	
H.C.	<u>O'DONNELL</u>	WEATHER	<u>FAIR</u>	COUNTY	<u>WOOD</u>	
R.C.	<u>FARKAS</u>	TEMP.	<u>65°</u>	TOWNSHIP	<u>WEBSTER</u>	
				SECTION	<u>13</u>	
				T	<u>5</u>	N
				R	<u>11</u>	E
				E		

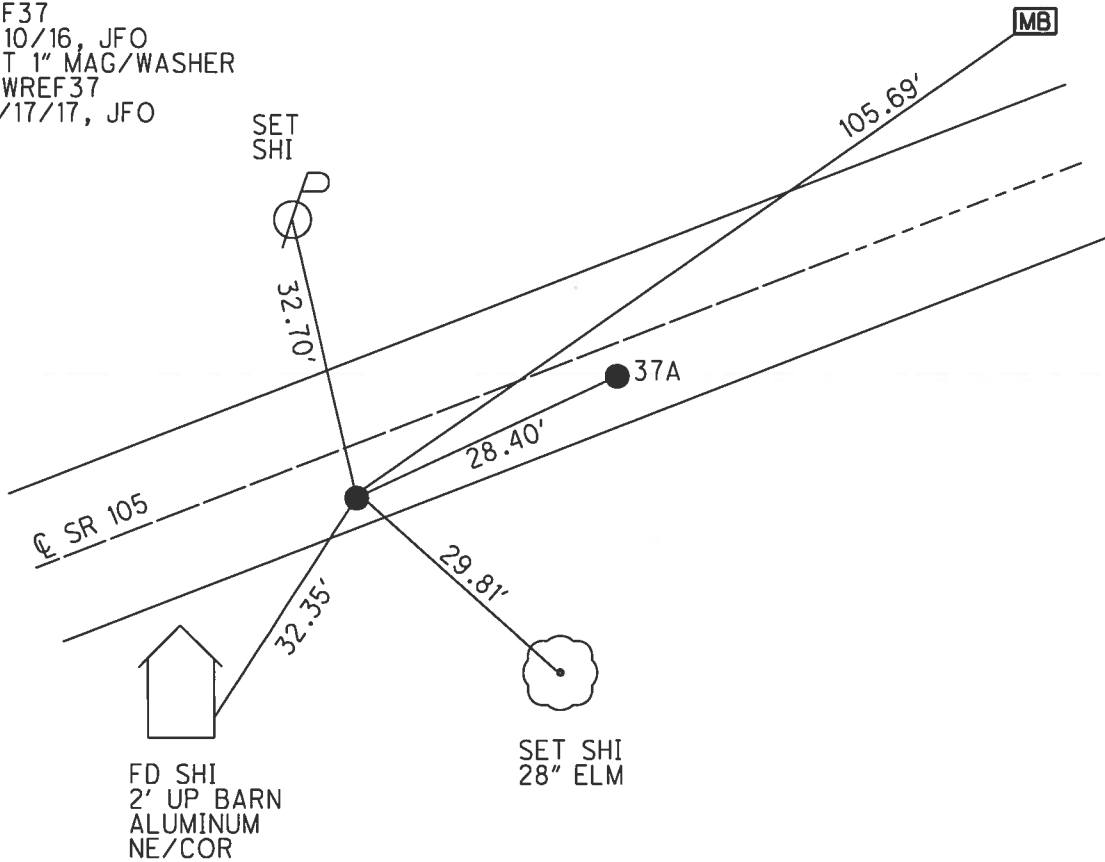
TYPE MONUMENT 1" MAG/WASHER
 ON SURFACE - ~~BELOW~~ ON
~~LEFT~~ - CL PAV'T - RIGHT 9'
1.2' TO RT EDGE PAVEMENT
 S.L.M. 266+15



GRID: NORTHING: 631923.403 EASTING: 1684338.324

RECORD: P.I.
 STA. 267+31.16
 $\Delta = 12^\circ-30'-00''$ LT
 FD P.K./WASHER
 4/15/02, DCH
 SET P.K./WASHER
 5/28/02, DCH
 FD P.K./WASHER
 REF37
 6/10/16, JFO
 SET 1" MAG/WASHER
 NEWREF37
 10/17/17, JFO

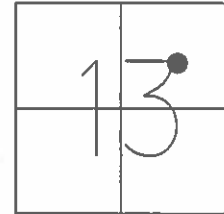
BOTTOM BOLT
 ADDRESS SIGN
 ON MB "7065"



O.D.O.T. DISTRICT 2 SURVEY OFFICE (USE ONLY)

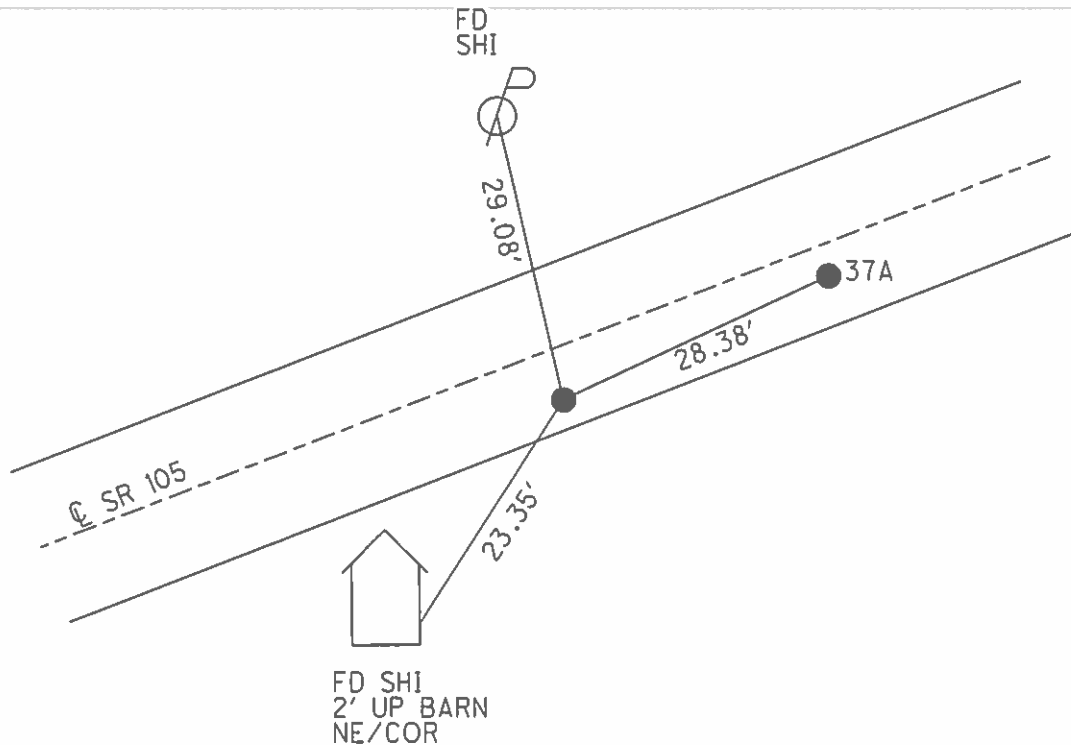
PERSONNEL	REFERENCE NO.	<u>37</u>	SHEET	<u>37</u>	OF	<u>54</u>
NOTES	<u>ROUSOS</u>	DATE	<u>4/15/02</u>	ROUTE	<u>SR 105</u>	
H.C.	<u>HOMAN</u>	WEATHER	<u>SUNNY</u>	COUNTY	<u>WOOD</u>	
R.C.	<u>BROWN</u>	TEMP.	<u>62°</u>	TOWNSHIP	<u>WEBSTER</u>	
				SECTION	<u>13</u>	
				T	<u>5</u>	N
				R	<u>11</u>	E

TYPE MONUMENT P.K./WASHER
 ON SURFACE - ~~BELOW~~ ON
~~LEFT~~ - Q PAV'T - RIGHT 9'
1.2' TO RT EDGE PAVEMENT
 S.L.M. 266+15



GRID: NORTHING: _____ EASTING: _____

RECORD: P.I.
 STA. 267+31.16
 $\Delta = 12^{\circ}-30'-00''$ LT
 SET P.K./WASHER
 5/28/02, DCH



O.D.O.T. DISTRICT 2 SURVEY OFFICE

PERSONNEL

REFERENCE NO. 37

SHEET 48 OF 57

NOTES LONG

H.C. VANDUSEN

R.C. BARNHISEL

DATE 8-27-91

WEATHER SUNNY

TEMP. 85°

ROUTE 105

COUNTY WOOD

TOWNSHIP WEBSTER

SECTION 13

T5 N R 11 E

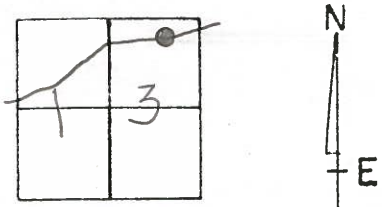
TYPE MONUMENT P.K. / WASHER

ON SURFACE - BELOW YES

~~LEFT~~ - ℄ PAV'T. - RIGHT 9.0'

1.2' TO RT EDGE PAVEMENT

S.L.M. 266+15

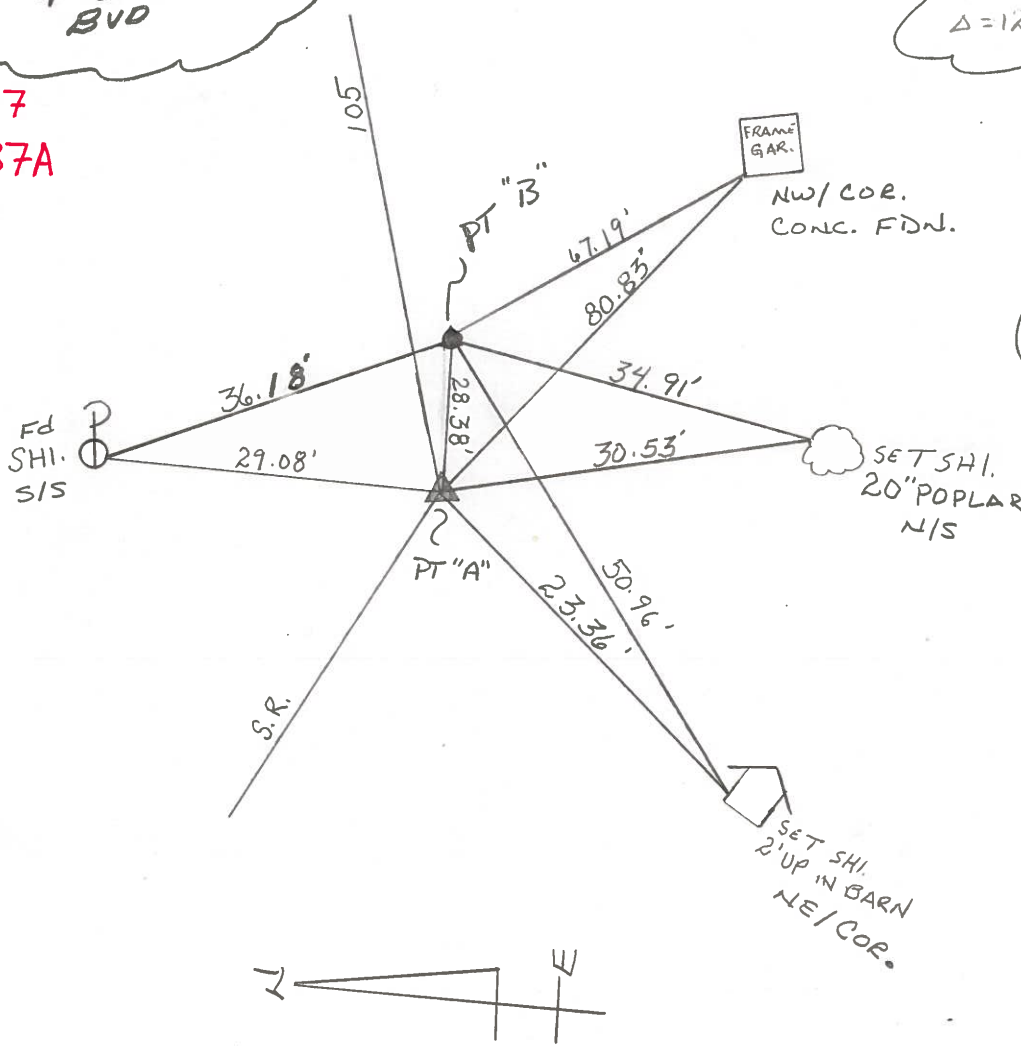


SET PK & WASHER
4-9-92
BVD

A = 37
B = 37A

RECORD
P.I. #34
267+31.16
Δ = 12°-30'-00" LT

PT. "B"
ORIGIN UNKNOWN
4.8 To RT Edge
5.8 RT of ℄
Fd P.K.



County WOOD S.R. 105

Township WEBSTER

Section 13

T N, R E

Personnel HOFFMAN

HOUSEHOLDER

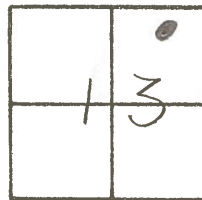
LOEHRKE

37

Date 4-21-82

Weather WINDY

Temp. +45°

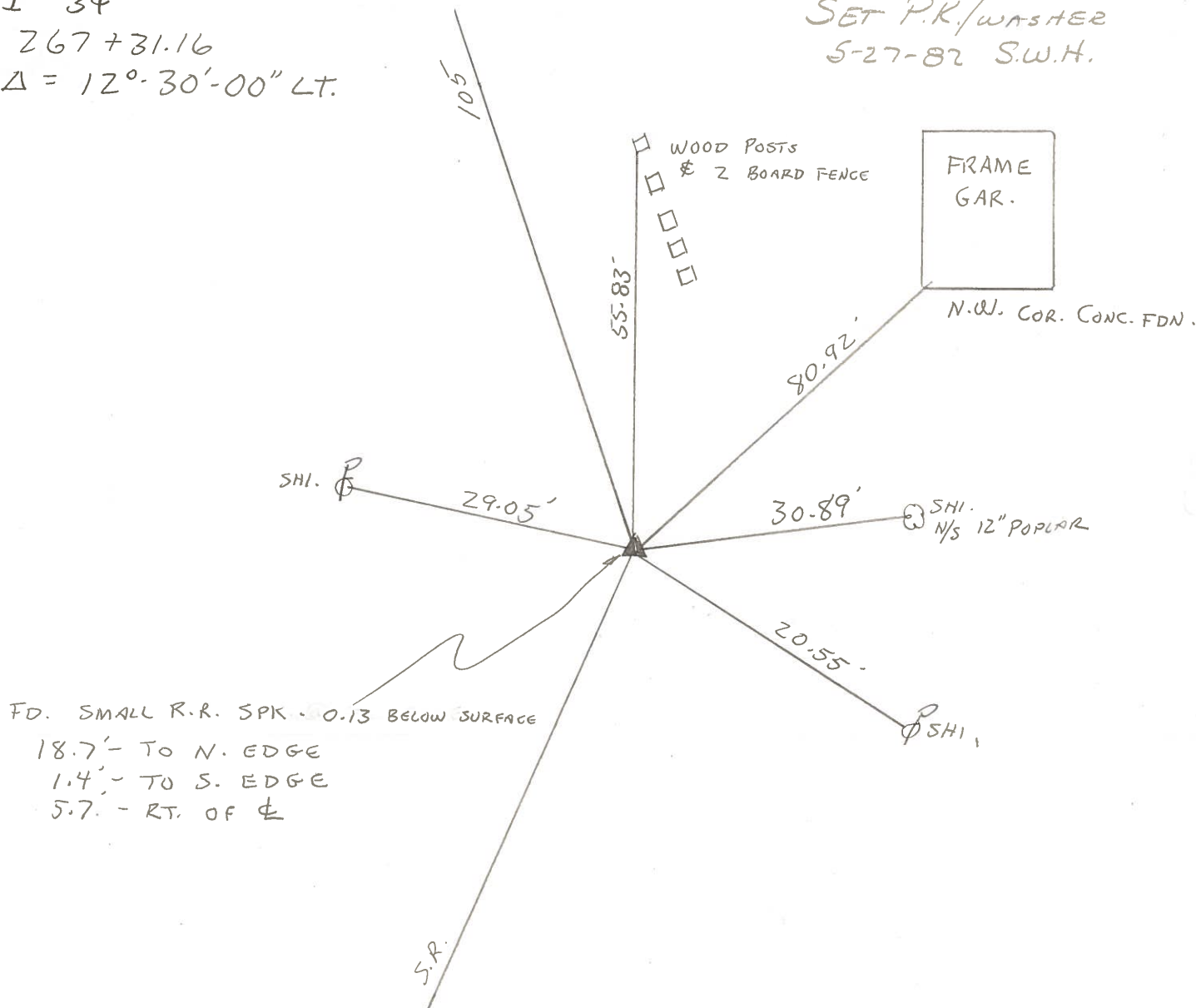


P-I # 34

267 + 31.16

$\Delta = 12^{\circ} - 30' - 00''$ LT.

SET P.K./WASHER
5-27-82 S.W.H.



FD. SMALL R.R. SPK - 0.13 BELOW SURFACE
 18.7' - TO N. EDGE
 1.4' - TO S. EDGE
 5.7' - RT. OF ϕ

PERSONNEL TITLE PERSONNEL TITLE

Stone Brannon
Michalak
Dennis
Curtis

COUNTY Wood DATE 16 July 73

S. R. # 105 WEATHER Fair

SEC. Webster Twp. TEMP. 75°

DESCRIPTION References to Control Points JOB NO.

LEFT CENTER LINE RIGHT

