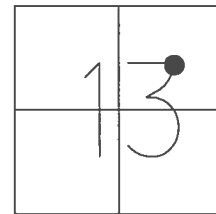


O.D.O.T. DISTRICT 2 SURVEY OFFICE (USE ONLY)

PERSONNEL _____ REFERENCE NO. 37 A SHEET 38 OF 54
 NOTES RHOADES DATE 10/17/17 ROUTE SR 105
 H.C. O'DONNELL WEATHER FAIR COUNTY WOOD
 R.C. FARKAS TEMP. 65° TOWNSHIP WEBSTER
 _____ SECTION 13
 _____ T 5 N R 11 E

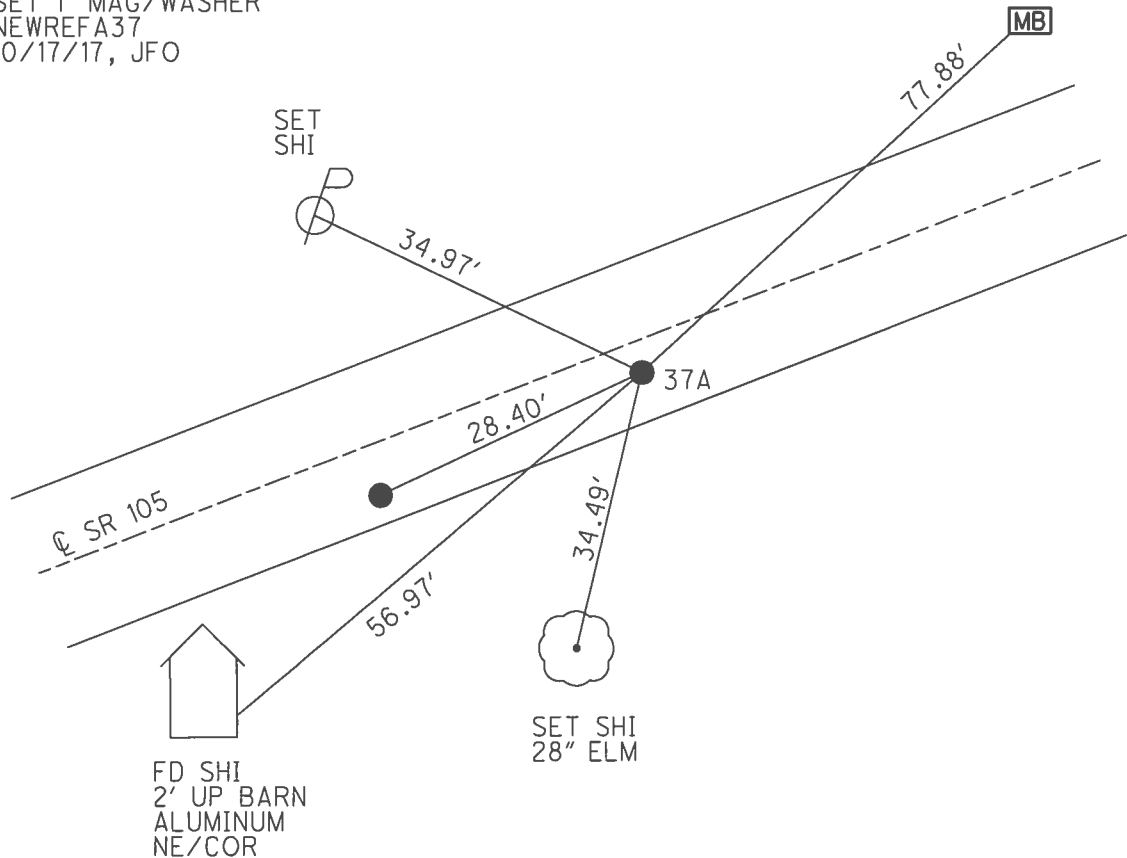
TYPE MONUMENT 1" MAG/WASHER
 ON SURFACE - ~~BELOW~~ ON _____
~~LEFT~~ - ☉ PAV'T - RIGHT 5.8'
4.8' TO RT EDGE PAVEMENT
 S.L.M. 266+44



GRID: NORTHING: 631933.772 EASTING: 1684364.737

RECORD:
 ORIGIN UNKNOWN
 FD P.K./WASHER
 4/15/02, DCH
 SET P.K./WASHER
 5/28/02, DCH
 FD P.K.NAIL
 REFA37
 6/10/16, JFO
 SET 1" MAG/WASHER
 NEWREFA37
 10/17/17, JFO

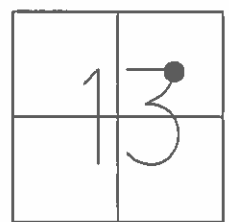
BOTTOM BOLT
 ADDRESS SIGN
 ON MB "7065"



O.D.O.T. DISTRICT 2 SURVEY OFFICE (USE ONLY)

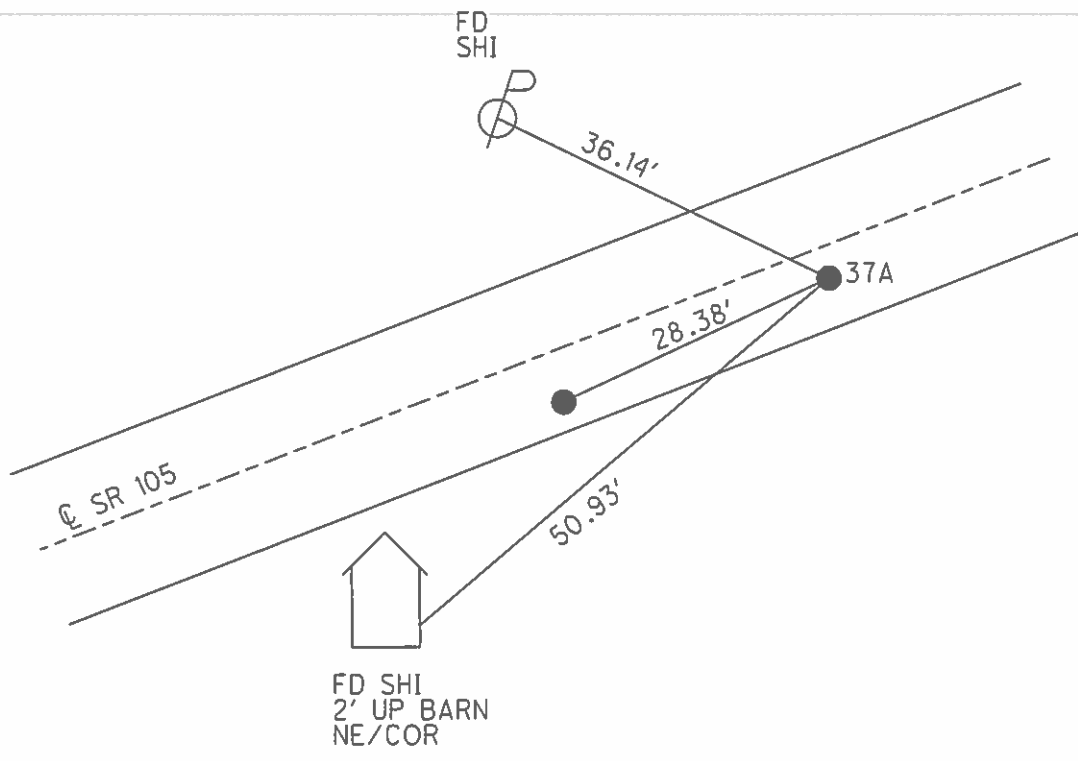
PERSONNEL _____ REFERENCE NO. 37 A SHEET 38 OF 54
 NOTES ROUSOS DATE 4/15/02 ROUTE SR 105
 H.C. HOMAN WEATHER SUNNY COUNTY WOOD
 R.C. BROWN TEMP. 62° TOWNSHIP WEBSTER
 SECTION 13
 T 5 N R 11 E

TYPE MONUMENT P.K./WASHER
 ON SURFACE - ~~BELOW~~ ON
~~LEFT~~ - CL PAV'T - RIGHT 5.8'
4.8' TO RT EDGE PAVEMENT
 S.L.M. 266+15



GRID: NORTHING: _____ EASTING: _____

RECORD:
 ORIGIN UNKNOWN
 SET P.K./WASHER
 5/28/02, DCH



O.D.O.T. DISTRICT 2 SURVEY OFFICE

PERSONNEL

REFERENCE NO. 37

SHEET 48 OF 57

NOTES LONG

H.C. VANDUSEN

R.C. BARNHISEL

DATE 8-27-91

WEATHER SUNNY

TEMP. 85°

ROUTE 105

COUNTY WOOD

TOWNSHIP WEBSTER

SECTION 13

T5 N R 11 E

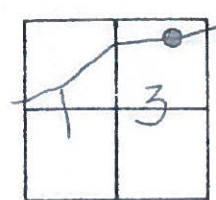
TYPE MONUMENT P.K. / WASHER

ON SURFACE - ~~BELOW~~ YES

~~LEFT~~ - CL. PAV'T. - RIGHT 9.0'

1.2' TO RT. EDGE PAVEMENT

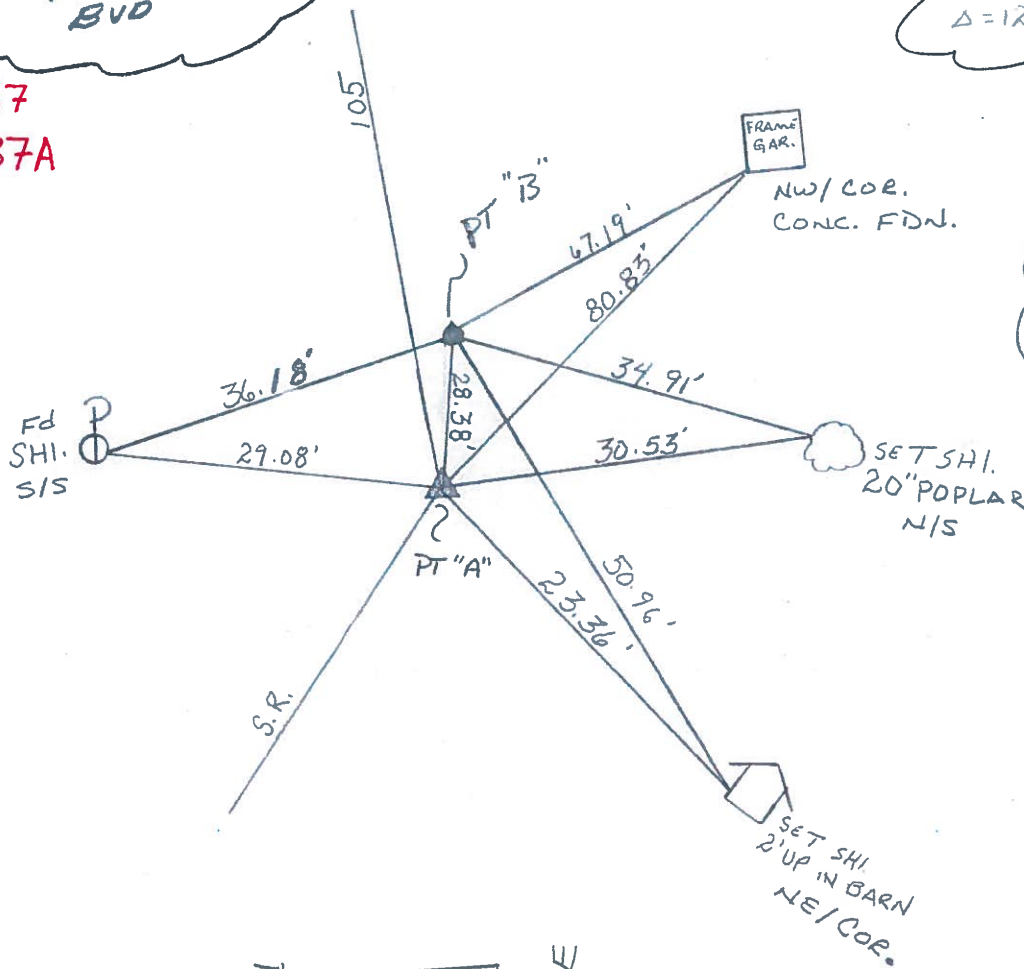
S.L.M. 266+15



SET PK & WASHER
4-9-92
BVD

RECORD
P.I. #34
267+31.16
 $\Delta = 12^{\circ} - 30' - 00''$ LT

A=37
B=37A



PT. "B"
ORIGIN UNKNOWN
4.8 To RT edge
5.8 RT of CL
Fd P.K.

