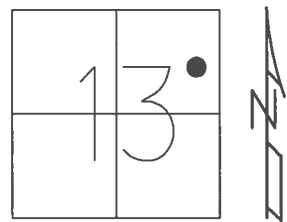


O.D.O.T. DISTRICT 2 SURVEY OFFICE (USE ONLY)

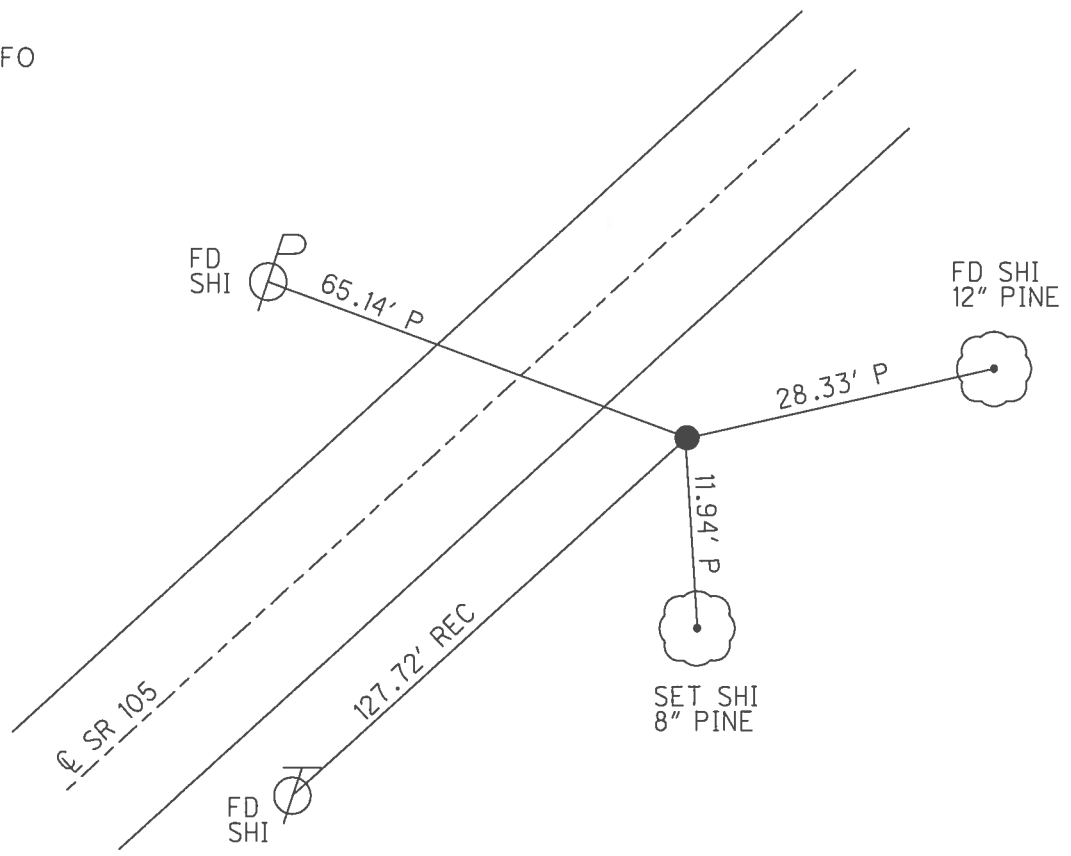
PERSONNEL _____ REFERENCE NO. 38 SHEET 39 OF 54
 NOTES LONG _____ DATE 8/27/91 ROUTE SR 105
 H.C. VAN DUSEN WEATHER SUNNY COUNTY WOOD
 R.C. BARNHISEL TEMP. 85° TOWNSHIP WEBSTER
 _____ SECTION 13
 _____ T 5 N R 11 E

TYPE MONUMENT 1/2" IPIN
 ON SURFACE - ~~BELOW~~ 6"
~~LEFT~~ - Q PAV'T - RIGHT 15.6'
5' TO S EDGE PAVEMENT
 S.L.M. 271+68



GRID: NORTHING: 632122.237 EASTING: 1684850.577

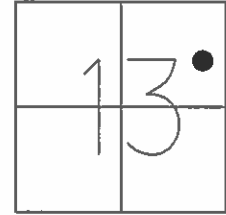
RECORD: P.I.
 STA. 272+86.73
 $\Delta = 18^\circ-17'-00''$ LT
 FD 1/2" IPIN
 2" DOWN
 REF38
 9/13/16, JFO



O.D.O.T. DISTRICT 2 SURVEY OFFICE (USE ONLY)

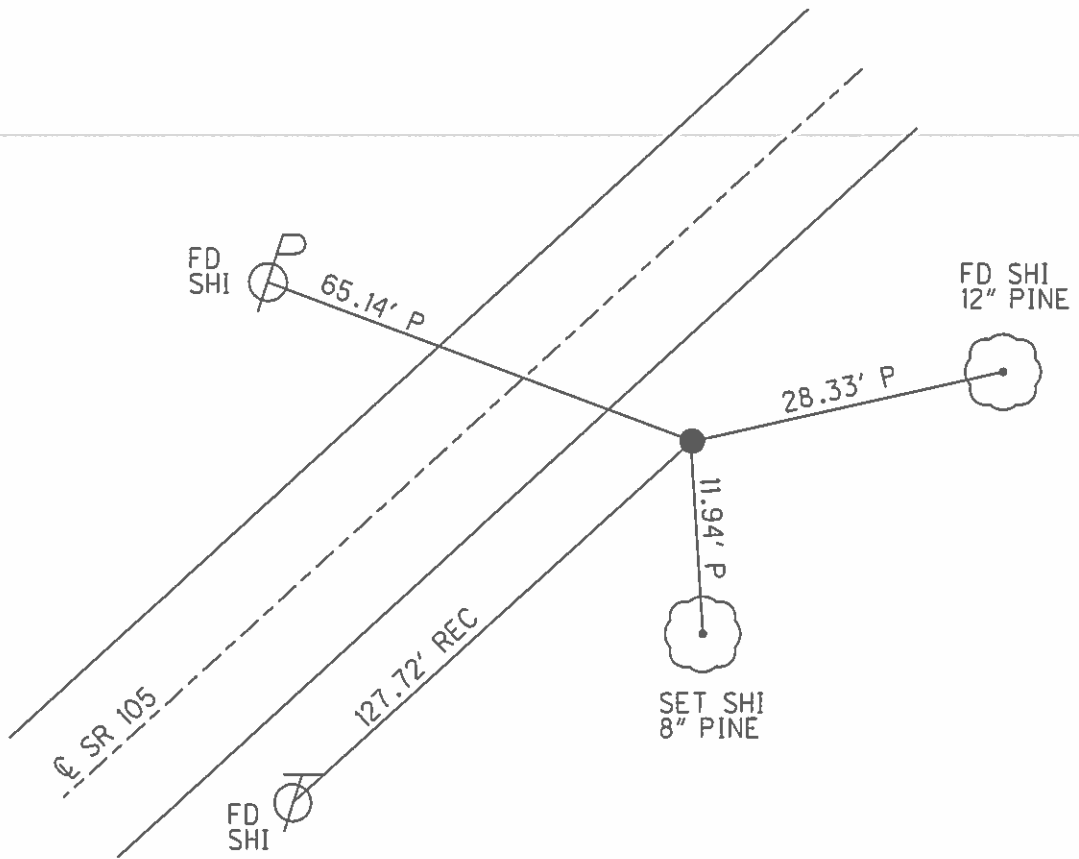
PERSONNEL _____ REFERENCE NO. 38 SHEET 39 OF 54
 NOTES LONG DATE 8/27/91 ROUTE SR 105
 H.C. VAN DUSEN WEATHER SUNNY COUNTY WOOD
 R.C. BARNHISEL TEMP. 85° TOWNSHIP WEBSTER
 SECTION 13
T 5 N R 11 E

TYPE MONUMENT IPIN
 ON SURFACE - ~~BELOW~~ 6"
~~LEFT~~ - C PAV'T - RIGHT 15.6'
5' TO S EDGE PAVEMENT
 S.L.M. 271+68



GRID: NORTHING: _____ EASTING: _____

RECORD: P.1.
 STA. 272+86.73
 $\Delta = 18^{\circ}-17'-00''$ LT



OK-5-27-82

County WOOD S.R. 105

Date 4-21-82

Township WEBSTER

Weather CLEAR

Section 13

Temp. +45°

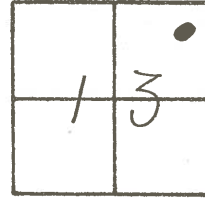
T N, R E

Personnel HOFFMAN

HOUSEHOLDER

LOEHRKE

38

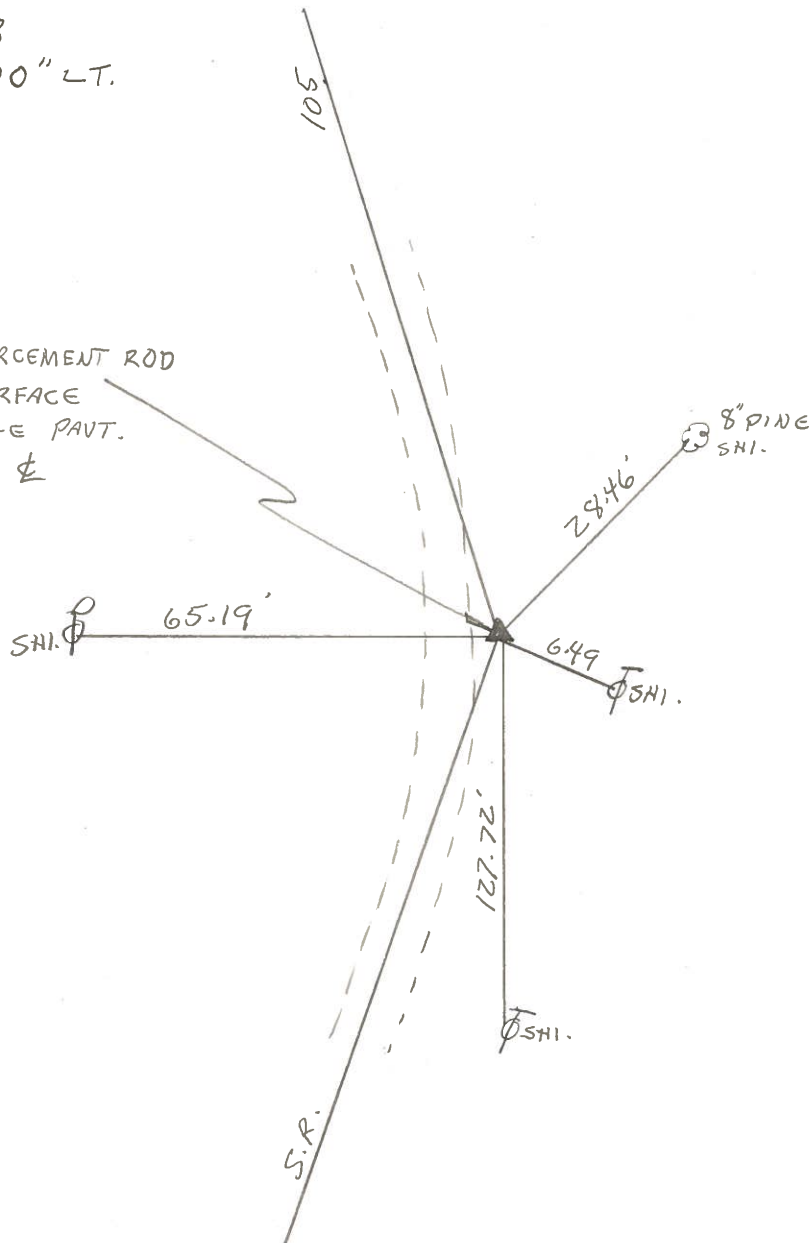


P.I. #35

272+86.73

$\Delta = 18^{\circ}-17'-00''$ LT.

FD. IRON REINFORCEMENT ROD
 6" BELOW SURFACE
 5' - TO S. EDGE PAVT.
 15.0' - RT. OF Φ



PERSONNEL	TITLE	PERSONNEL	TITLE	COUNTY	DATE	WEATHER	TEMP.
Stone		Brannon		Wood	16 July 73	Fair	75°
Michalak				S. R. # 105			
Danna				SEC. Webster Twp.			
Curtis							

DESCRIPTION References to Control Points LEFT CENTER LINE RIGHT JOB NO.

