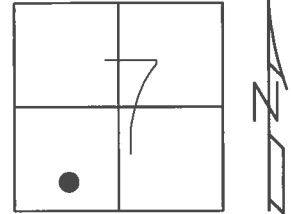


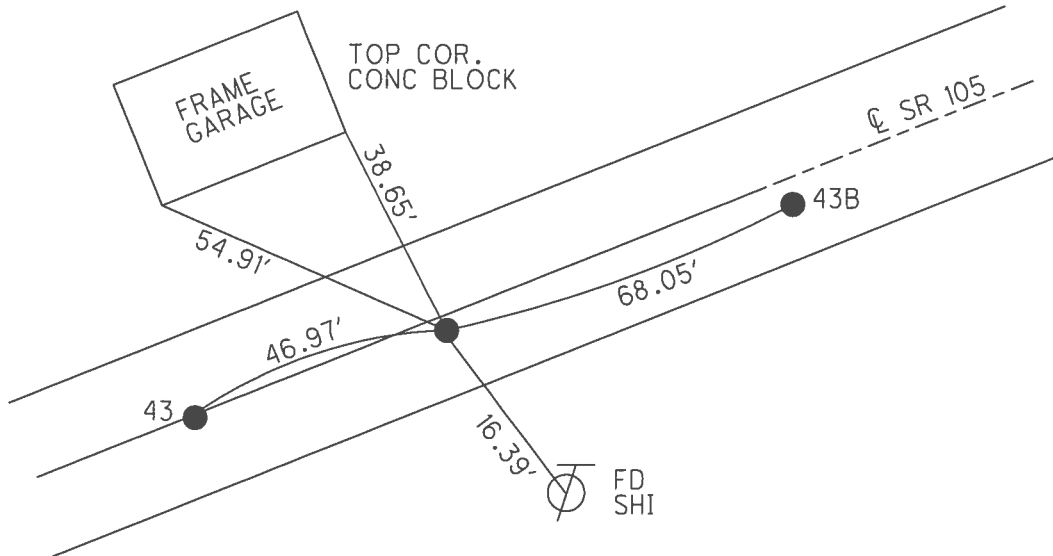
O.D.O.T. DISTRICT 2 SURVEY OFFICE (USE ONLY)

PERSONNEL _____ REFERENCE NO. 43 A SHEET 47 OF 54
 NOTES RHOADES DATE 9/13/16 ROUTE SR 105
 H.C. O'DONNELL WEATHER FAIR COUNTY WOOD
 R.C. TODD TEMP. 58° TOWNSHIP WEBSTER
 SECTION 7
 T 5 N R 11 E

TYPE MONUMENT MAG/WASHER
 ON SURFACE - ~~BELOW~~ ON _____
~~LEFT~~ - ☉ PAV'T - RIGHT 1.9'
8.9' TORT EDGE PAVEMENT
 S.L.M. 291+27
 GRID: NORTHING: 633285.950 EASTING: 1686421.504



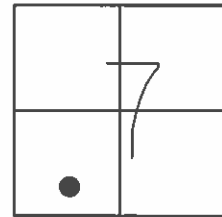
RECORD: PI
 STA. 292+46.86
 $\Delta = 1^\circ 10' 40''$ LT
 FD P.K./WASHER
 4/15/02, DCH
 SET P.K./WASHER
 6/13/02, DCH
 SET MAG/WASHER
 REFA43
 6/10/16, JFO
 SET 1" MAG/WASHER
 8/2/17, DCH



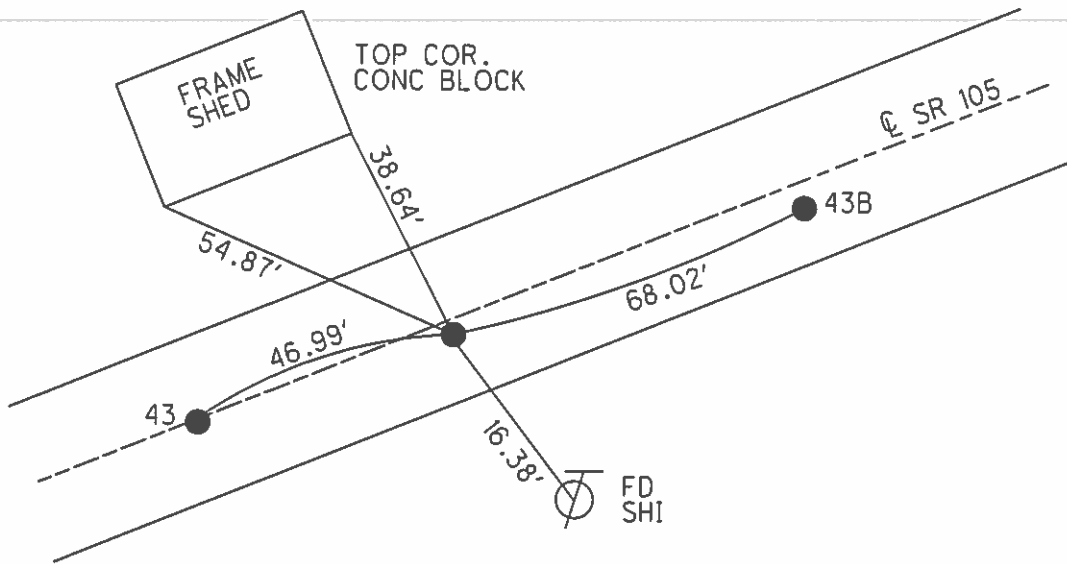
O.D.O.T. DISTRICT 2 SURVEY OFFICE (USE ONLY)

PERSONNEL _____ REFERENCE NO. 43 A SHEET 47 OF 54
 NOTES ROUSOS DATE 4/15/02 ROUTE SR 105
 H.C. HOMAN WEATHER SUNNY COUNTY WOOD
 R.C. BROWN TEMP. 74° TOWNSHIP WEBSTER
 SECTION 7
T 5 N R 11 E

TYPE MONUMENT P.K./WASHER
 ON SURFACE - ~~BELOW~~ ON _____
~~LEFT~~ - ☉ PAV'T - RIGHT 1.9'
8.9' TORT EDGE PAVEMENT
 S.L.M. 291+27
 GRID: NORTHING: _____ EASTING: _____



RECORD: P1
 STA. 292+46.86
 $\Delta = 1^\circ 10' 40''$ LT
 SET P.K./WASHER
 6/13/02, DCH



O.D.O.T. DISTRICT 2 SURVEY OFFICE

PERSONNEL

REFERENCE NO. 43

SHEET 53 OF 57

NOTES LONG

H.C. VANDUSEN

R.C. BARNHISEL

DATE 8-27-91

WEATHER SUNNY

TEMP. 88°

ROUTE 105

COUNTY WOOD

TOWNSHIP WEBSTER

SECTION 7

T 5 N R 11 E

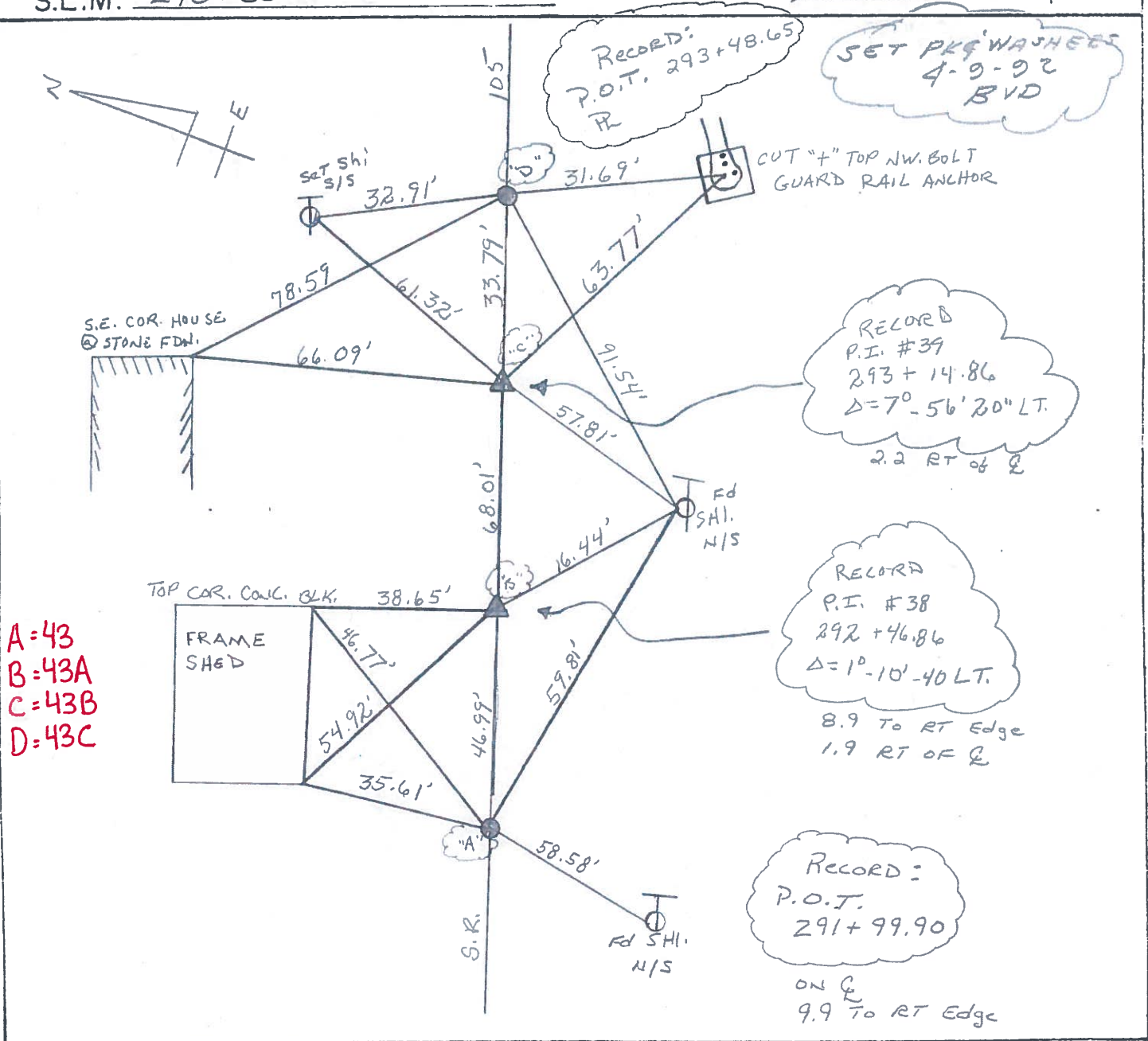
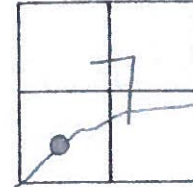
TYPE MONUMENT P.K. & WASHER ~ PT. "A"

ON SURFACE - ~~BELOW~~ YES

~~LEFT - & PAV'T. - RIGHT~~ yes

9.9 TO RT EDGE PAVEMENT

S.L.M. 290+80



A=43
B=43A
C=43B
D=43C

County WOOD S.R. 105

Date 4-21-82

Township WEBSTER

Weather WINDY

Section 7

Temp. +45°

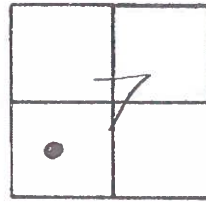
T, N, R, E

Personnel HOFFMAN

HOUSEHOLDER

LOEHRKE

43



A=43
B=43A
C=43B
D=43C

