

O.D.O.T. DISTRICT 2 SURVEY OFFICE (USE ONLY)

PERSONNEL

REFERENCE NO. 67

SHEET 25 OF 33

NOTES HOMAN

DATE 6/11/13

ROUTE SR 105

H.C. HOMAN

WEATHER SUNNY

COUNTY WOOD

R.C. CODER

TEMP. 84°

TOWNSHIP FREEDOM

SECTION 9

DWG BY RHOADES PID _____

T 5 N R 12 E

TYPE MONUMENT R.R.SPIKE

~~ON SURFACE~~ - BELOW 0.6'

OFFSET \odot PAVEMENT 14.5' ~~LT~~ : RT

5' TO RT EDGE PAVEMENT

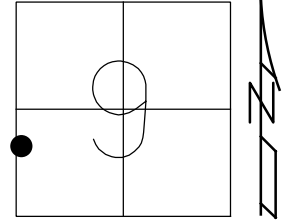
STATION: 399+52.90

HORZ.DATUM: NAD83

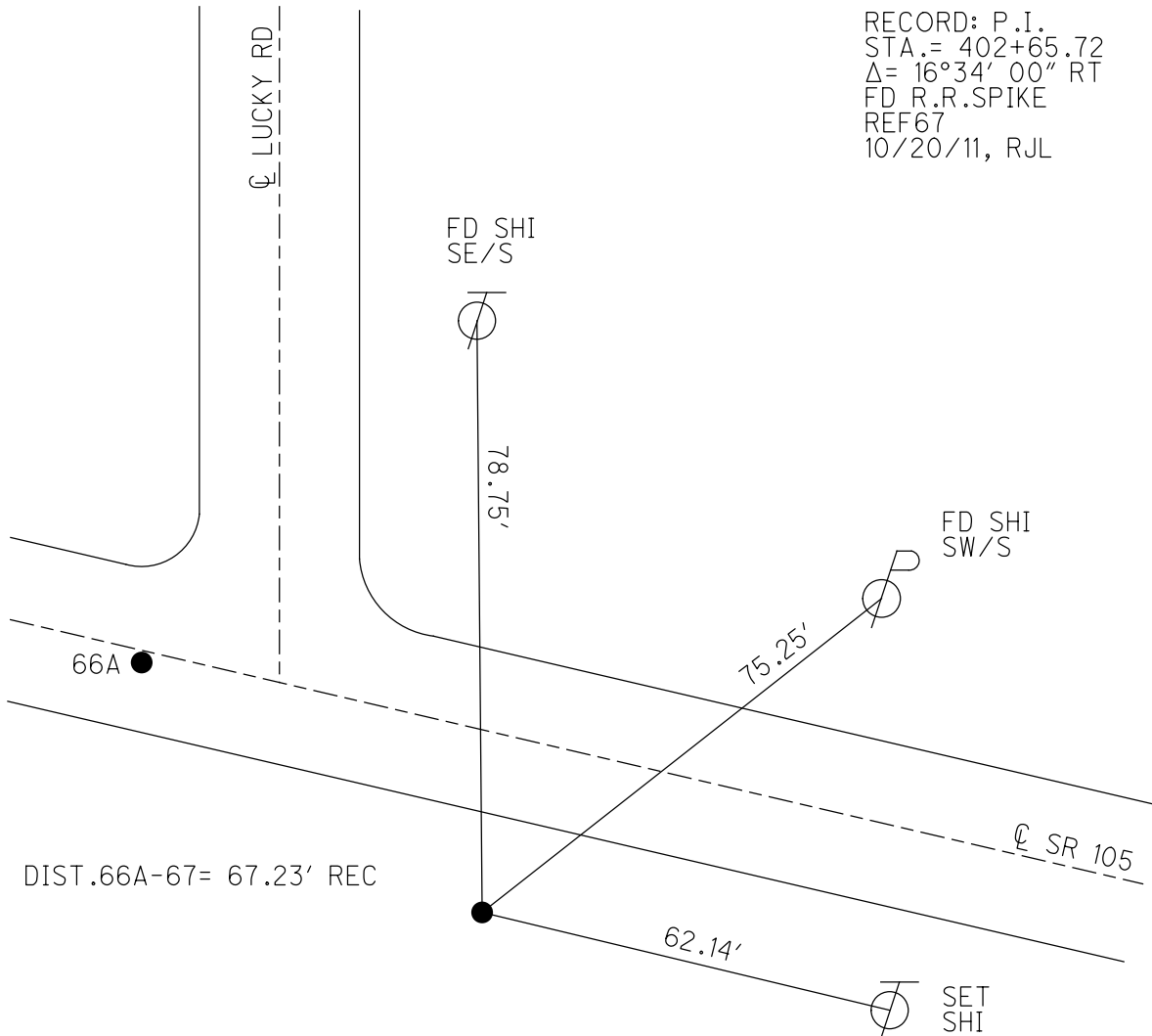
GEOID: NAVD88 2009

GRID: NORTHING: 634443.799

EASTING: 1696101.850



RECORD: P.I.
 STA.= 402+65.72
 $\Delta = 16^{\circ}34'00''$ RT
 FD R.R.SPIKE
 REF67
 10/20/11, RJL

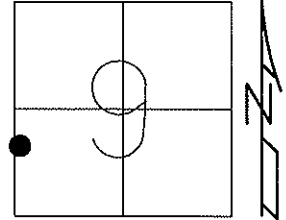


O.D.O.T. DISTRICT 2 SURVEY OFFICE (USE ONLY)

| | | |
|---------------------|-------------------------|------------------------------|
| PERSONNEL | REFERENCE NO. <u>67</u> | SHEET <u>25</u> OF <u>33</u> |
| NOTES <u>HOMAN</u> | DATE <u>6/11/13</u> | ROUTE <u>SR 105</u> |
| H.C. <u>HOMAN</u> | WEATHER <u>PT.CLDY.</u> | COUNTY <u>WOOD</u> |
| R.C. <u>RHOADES</u> | TEMP. <u>84°</u> | TOWNSHIP <u>freedom</u> |
| | | SECTION <u>9</u> |
| | | T <u>5</u> N R <u>12</u> E |

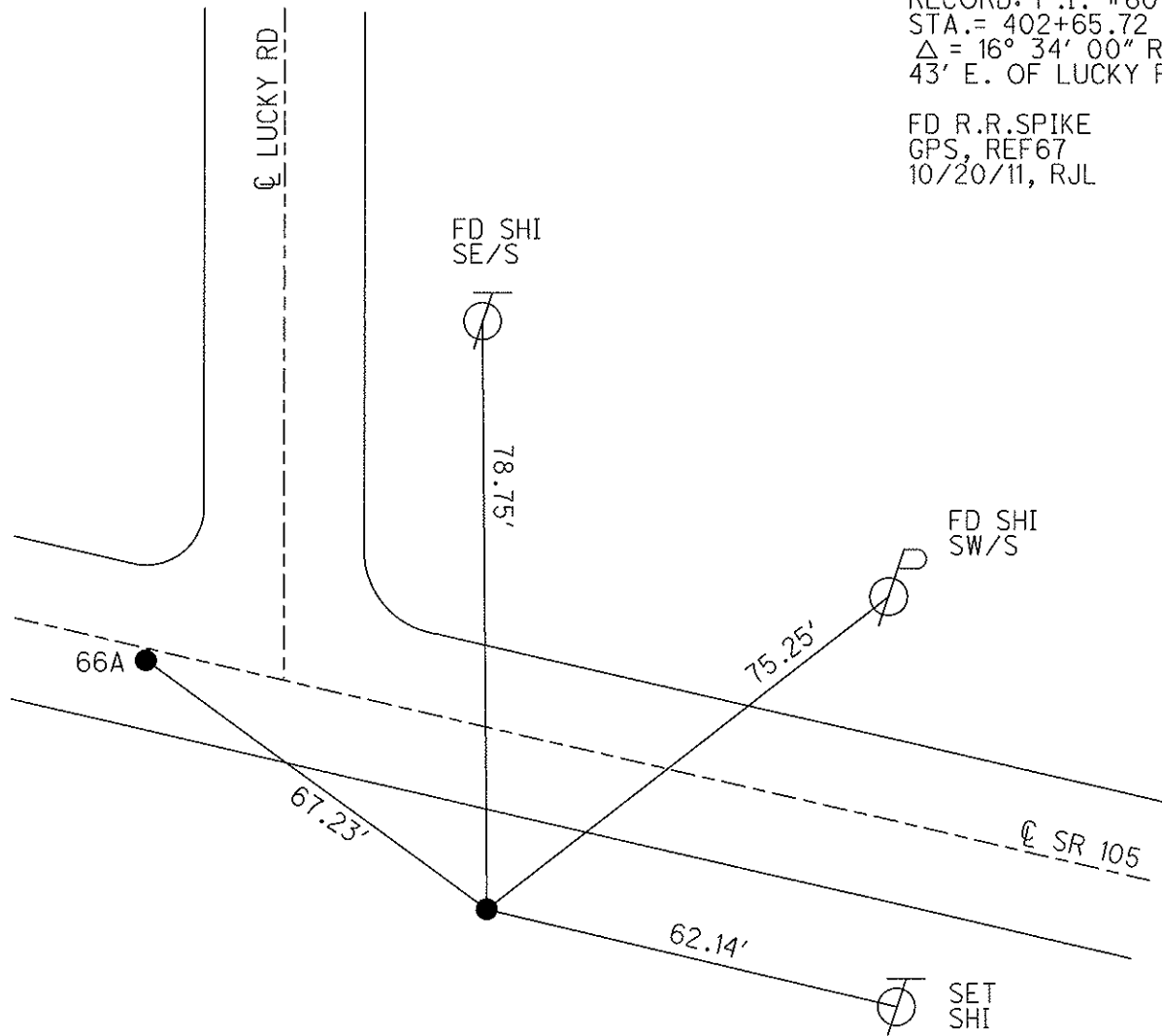
TYPE MONUMENT R.R.SPIKE
~~ON SURFACE~~ - BELOW 0.6'
~~LEFT~~ - Q PAV'T - RIGHT 14.5'
5' TO RT EDGE PAVEMENT
 S.L.M. 401+01

Grid: Northing: 634443.799 Easting: 1696101.850



RECORD: P.I. #60
 STA. = 402+65.72
 $\Delta = 16^\circ 34' 00''$ RT
 43' E. OF LUCKY RD.

FD R.R.SPIKE
 GPS, REF67
 10/20/11, RJL



O.D.O.T. DISTRICT 2 SURVEY OFFICE

PERSONNEL

REFERENCE NO. 67

SHEET 19 OF 49

NOTES CHANEY

DATE 8-1-94

ROUTE S.R. 105

H.C. RIPPLE

WEATHER FAIR

COUNTY WOOD

R.C. BARBOUR

TEMP. +80°

TOWNSHIP WEBSTER

updated 01.10.07 MB

SECTION 9

T 5 N R 12 E

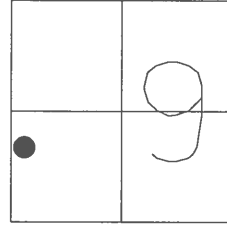
TYPE MONUMENT RR SPIKE

ON SURFACE - BELOW 0.6' BELOW

LEFT - ℄ PAV'T - RIGHT 14.5' RT. ℄

5.0' TO RT. EDGE PAVEMENT

S.L.M. 401+01

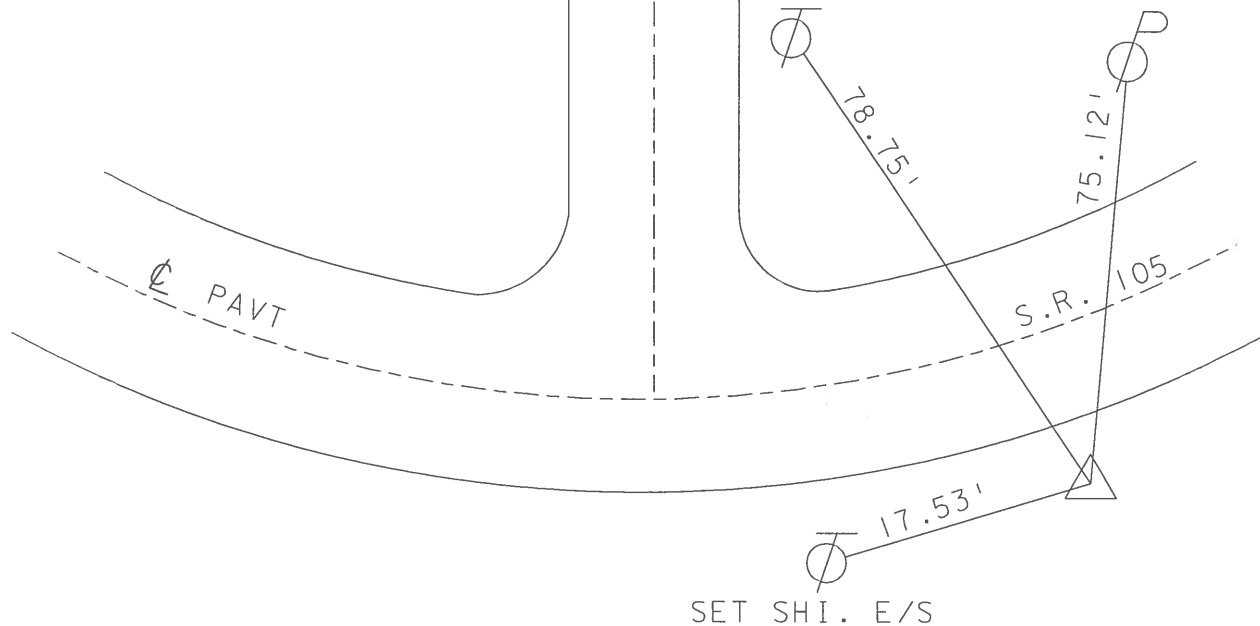


RECORD: P.I. 60
Sta. - 402+65.72
 $\Delta = 16^{\circ}34'00''$ RT.
43' E ℄ of Lucky Rd.

NOTE: THIS POINT IS NOT ON THE NORTH-SOUTH SECTION LINE.

℄ LUCKEY RD.

SET SHI SE/S FD. SHI. SW/S



County WOOD S.R. 105

Township WEBSTER

Section 8

T₅N, R₁₂E

Personnel BARLY HC

HOUSEHOLDER RL

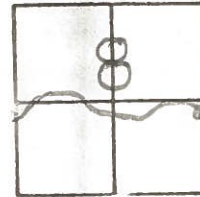
LOEHRKE □

HOPMAN P

Date 8-8-84

Weather CLOUDY

Temp. + 85



#67

RECORDED
P.I. # 60

402+65.72

Δ = 160 - 34' - 00" Lt.

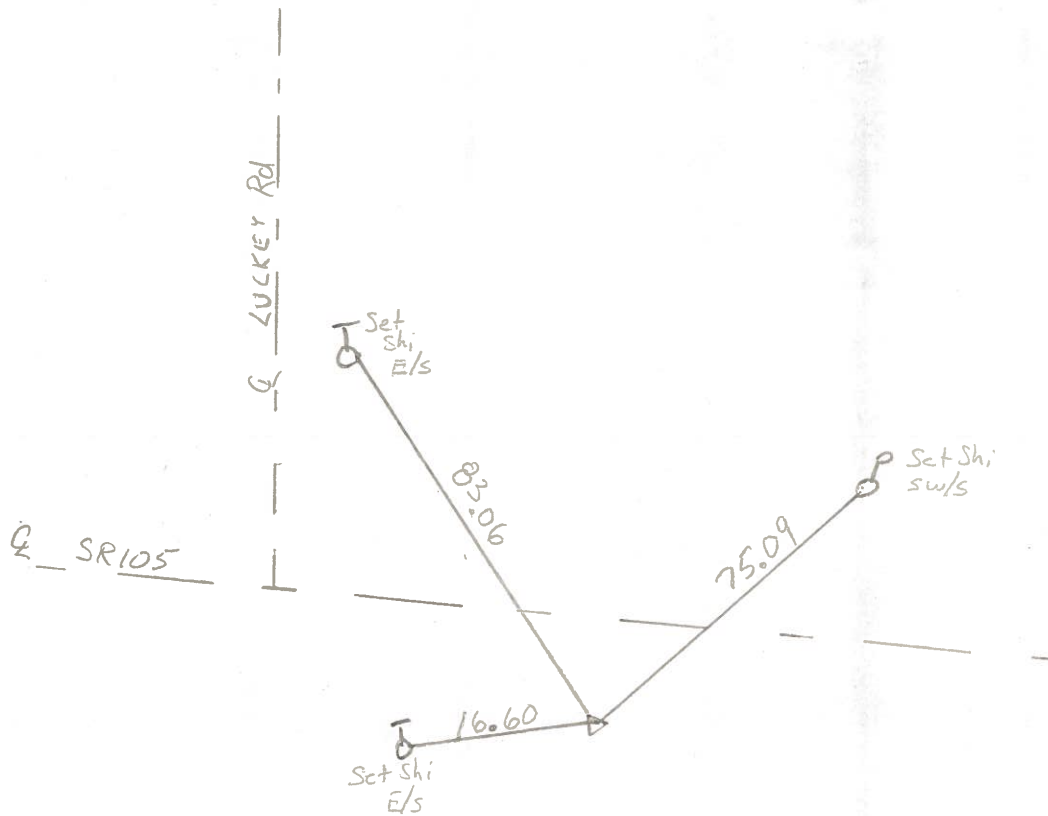
Fd: RR SPIKE 1' Below

3.9. Rt of REP

14.2 Rt of Q PAVT SR105

+ 43' E of LUCKY Rd.

SLM 399+35



O.D.O.T. DISTRICT 2 SURVEY OFFICE

SHEET ___ OF ___

County WOOD S.R. 105

Date OCT-31-73

Township WEBSTER

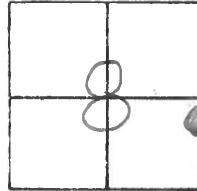
Weather CLOUDY

Section 8

Temp. 50°

T N, R E

Personnel STONE
MICHALAK
CURTIS
DENNO



#67
 P.I. #60
 402+65.72
 Δ = 16°-34'-00" LT.

