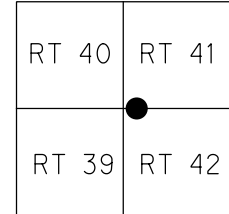


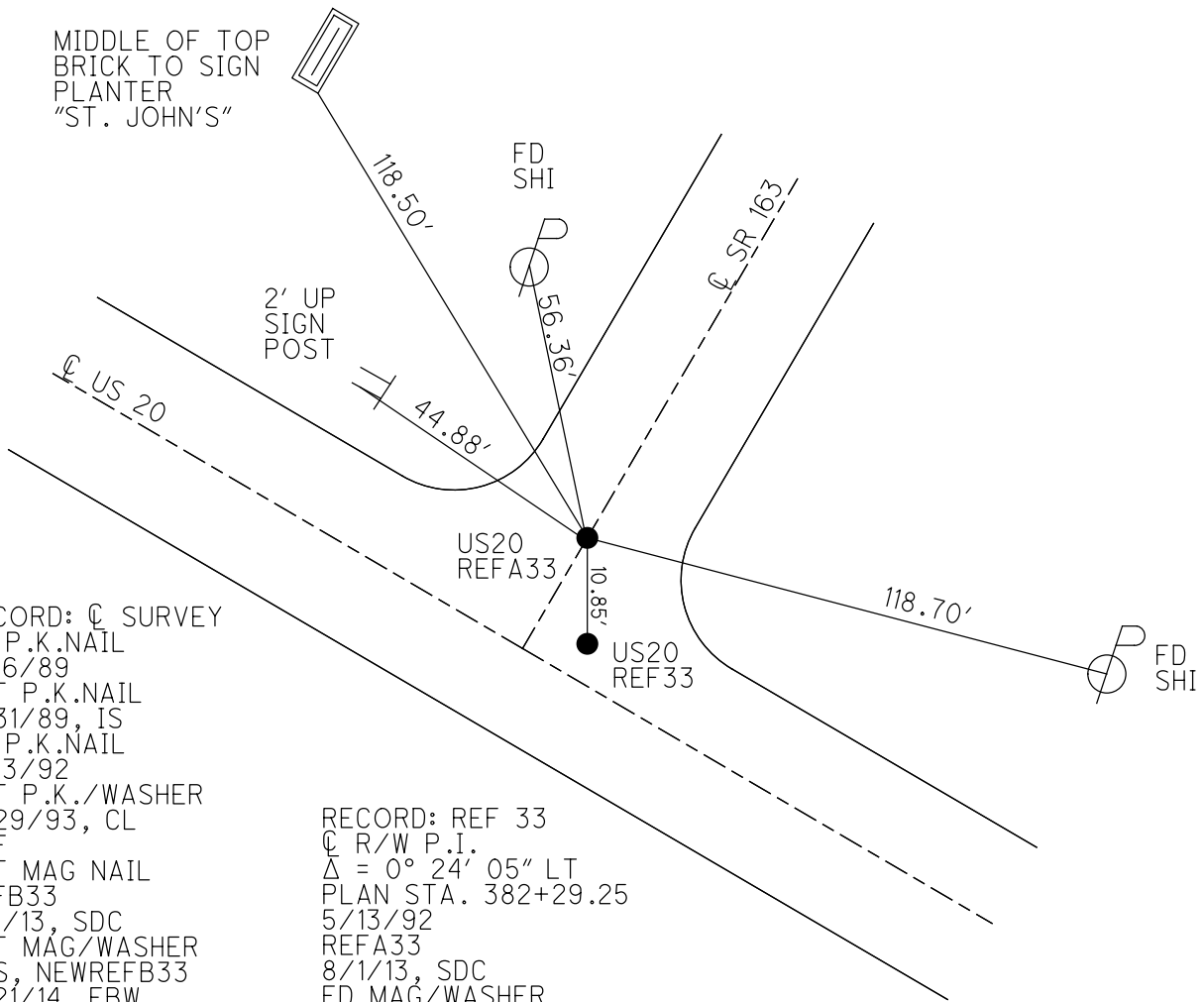
O.D.O.T. DISTRICT 2 SURVEY OFFICE (USE ONLY)

PERSONNEL \_\_\_\_\_ REFERENCE NO. 0 SHEET 1 OF 21  
 NOTES RHOADES DATE 8/1/13 ROUTE SR 163  
 H.C. CODER WEATHER CLOUDY COUNTY WOOD  
 R.C. RHOADES TEMP. 80° TOWNSHIP TROY  
 SECTION RT 41  
 DWG BY NIESE PID NO PID T 6 N R 12 E

TYPE MONUMENT P.K. NAIL  
 ON SURFACE - ~~BELOW~~ ON  
 OFFSET Q PAVEMENT - LT : RT  
- TO - EDGE PAVEMENT  
 STATION: 0+10.85



HORZ. DATUM: NAD83(2011) GEOID: 2012A  
 GRID: NORTHING: 672291.008 EASTING: 1694090.089



RECORD: Q SURVEY  
 FD P.K.NAIL  
 5/16/89  
 SET P.K.NAIL  
 7/31/89, IS  
 FD P.K.NAIL  
 5/13/92  
 SET P.K./WASHER  
 6/29/93, CL  
 DNF  
 SET MAG NAIL  
 REFB33  
 8/1/13, SDC  
 SET MAG/WASHER  
 GPS, NEWREFB33  
 8/21/14, EBW  
 FD MAG/WASHER  
 REF33  
 9/10/19, JFO

RECORD: REF 33  
Q R/W P.I.  
 $\Delta = 0^\circ 24' 05''$  LT  
 PLAN STA. 382+29.25  
 5/13/92  
 REFA33  
 8/1/13, SDC  
 FD MAG/WASHER  
 9/10/19, JFO  
 N = 672280.344  
 E = 1694091.699

O.D.O.T. DISTRICT 2 SURVEY OFFICE (USE ONLY)

PERSONNEL \_\_\_\_\_

REFERENCE NO. 0 A

SHEET 2 OF 21

NOTES ASTON

DATE 10/12/23

ROUTE SR 163

H.C. NIESE

WEATHER CLOUDY

COUNTY WOOD

R.C. ASTON

TEMP. 60°

TOWNSHIP TROY

SECTION RT 41

DWG BY ASTON

PID CHIP SEAL

T 6 N R 12 E

TYPE MONUMENT MAG/WASHER

ON SURFACE - ~~BELOW~~ ON

OFFSET 5.1' TO LT EDGE PAVEMENT

5.1' TO LT EDGE PAVEMENT

STATION: 17+50.30

HORIZ.DATUM: NAD83(2011)

GEOID: NAVD88 2018

GRID: NORTHING: 673792.026

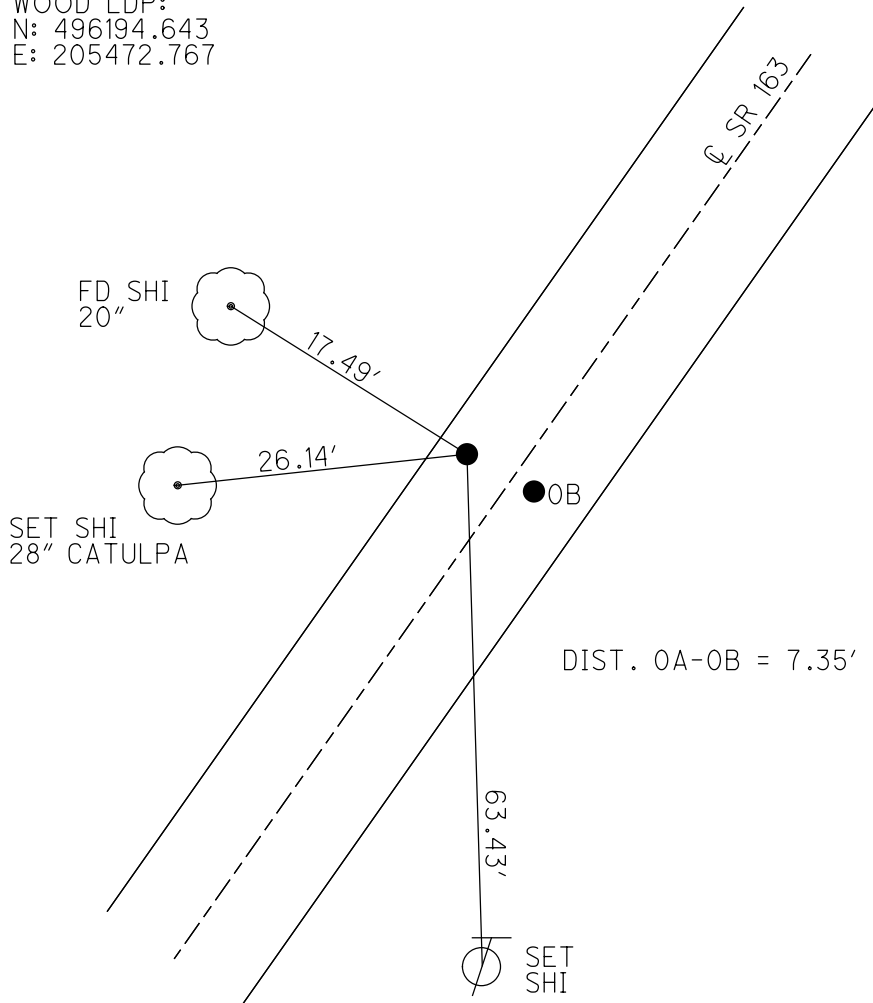
EASTING: 1694973.912

RT 40	RT 41
RT 39	RT 42



WOOD LDP:  
N: 496194.643  
E: 205472.767

RECORD:  
STA.17+50.45  
(RECORD AT WOOD CO.)  
FD R.R.SPIKE  
8/23/78, BURNSIDE  
FD P.K.NAIL  
5/16/89  
SET P.K.NAIL  
8/2/89, IS  
FD P.K.NAIL  
REFAO  
8/1/13, SDC  
SET MAG/WASHER  
NEWREFAO  
8/21/14, EBW  
FD MAG/WASHER  
REFAO  
9/10/19, JFO  
FD MAG/WASHER  
REFOA  
6-14-23, JMR  
FD MAG/WASHER  
10-12-23, TDN



O.D.O.T. DISTRICT 2 SURVEY OFFICE (USE ONLY)

PERSONNEL \_\_\_\_\_ REFERENCE NO. 0 B SHEET 3 OF 21  
 NOTES ASTON DATE 10/12/23 ROUTE SR 163  
 H.C. NIESE WEATHER CLOUDY COUNTY WOOD  
 R.C. ASTON TEMP. 60° TOWNSHIP TROY  
 SECTION RT 41  
 DWG BY ASTON PID CHIP SEAL T 6 N R 12 E

TYPE MONUMENT MAG/WASHER  
 ON SURFACE - ~~BELOW~~ ON  
 OFFSET CL PAVEMENT ON \_\_\_\_\_ LT : RT  
 \_\_\_\_\_ TO \_\_\_\_\_ EDGE PAVEMENT  
 STATION: 17+50.30

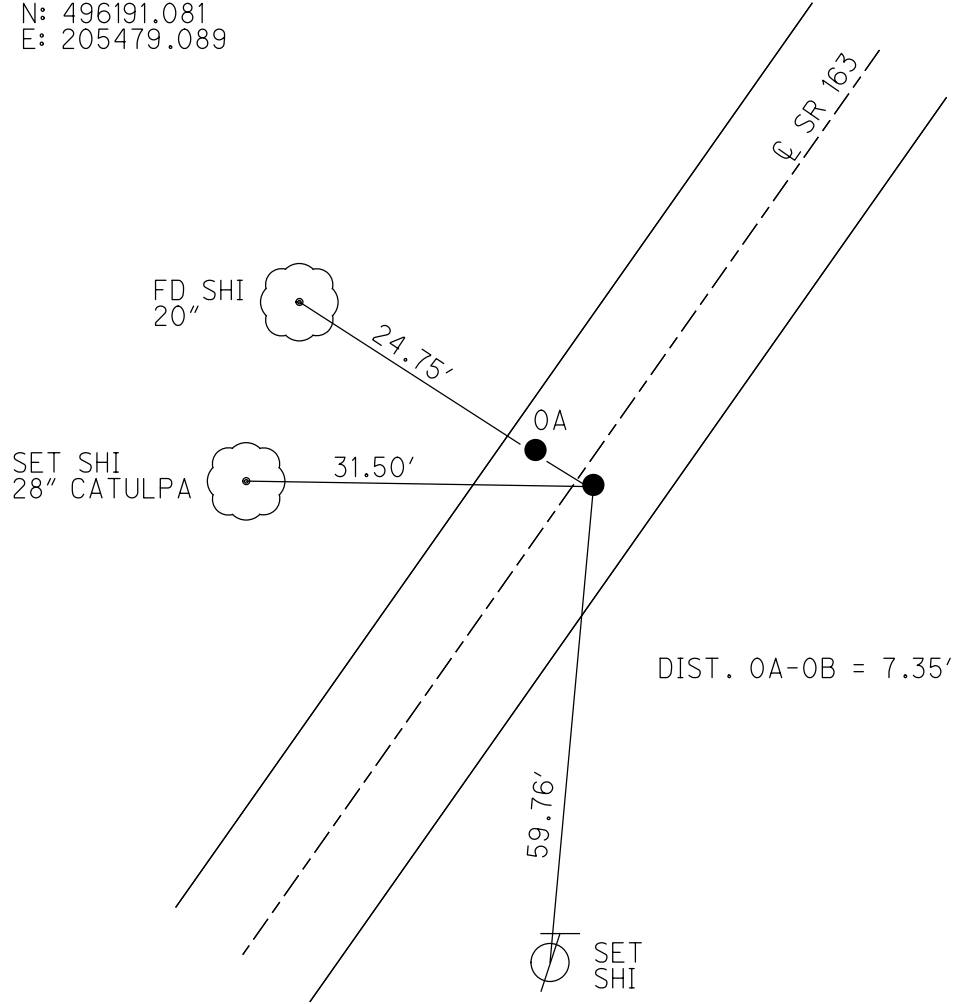
RT 40	RT 41
RT 39	RT 42



HORZ.DATUM: NAD83(2011) GEOID: NAVD88 2018  
 GRID: NORTHING: 673788.417 EASTING: 1694980.284

WOOD LDP:  
 N: 496191.081  
 E: 205479.089

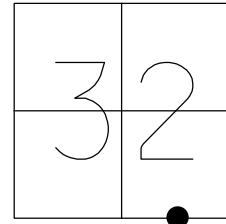
RECORD:  
 FD P.K.NAIL  
 5/16/89  
 SET P.K.NAIL  
 8/2/89, IS  
 DNF  
 8/1/13, SDC  
 SET MAG/WASHER  
 NEWREFBO  
 8/21/14, EBW  
 FD MAG NAIL  
 REFBO  
 9/10/19, JFO  
 FD MAG/ WASHER  
 REFOB  
 6/14/23, JMR  
 FD MAG/WASHER  
 10-12-23, TDN



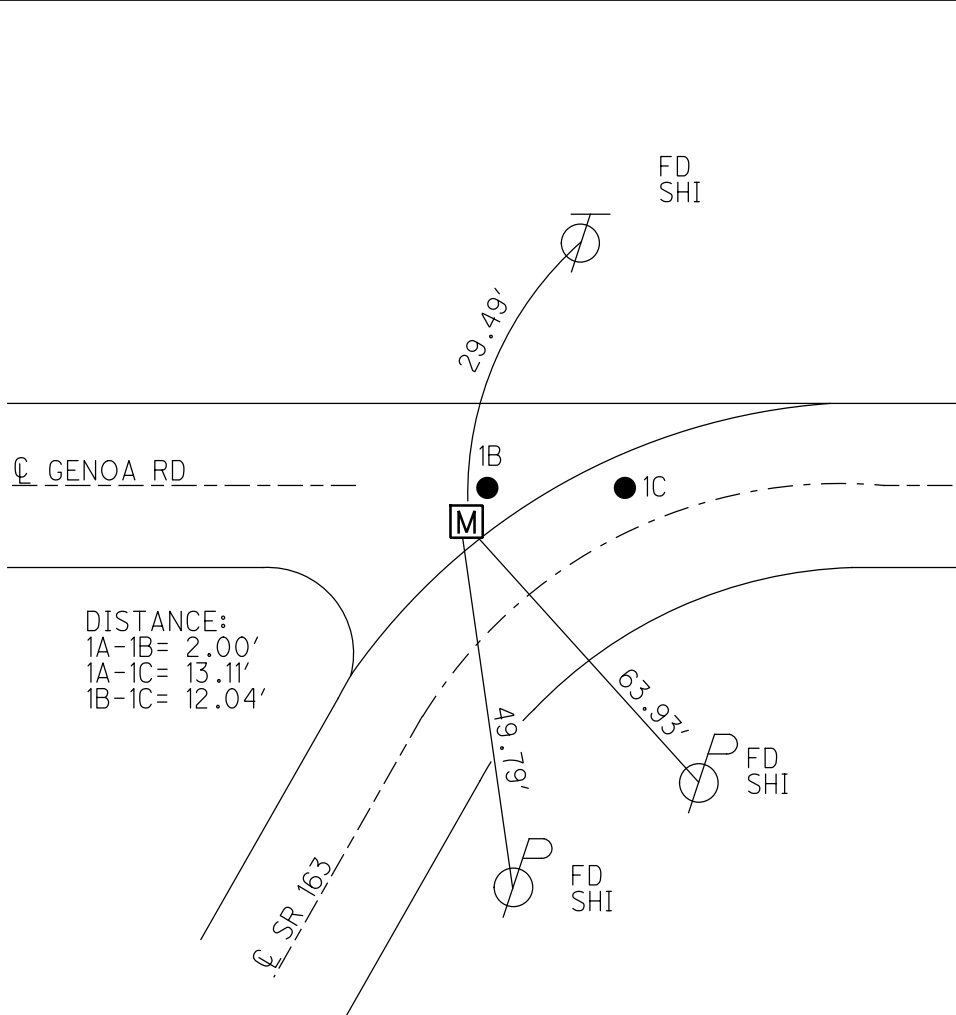
O.D.O.T. DISTRICT 2 SURVEY OFFICE (USE ONLY)

PERSONNEL \_\_\_\_\_ REFERENCE NO. 1 A SHEET 4 OF 21  
 NOTES ASTON DATE 10/12/23 ROUTE SR 163  
 H.C. NIESE WEATHER CLOUDY COUNTY WOOD  
 R.C. ASTON TEMP. 60° TOWNSHIP LAKE  
 SECTION 32  
 DWG BY ASTON PID CHIP SEAL T 6 N R 12 E

TYPE MONUMENT MONBOX W/ 3/4" BOLT  
 ON SURFACE - ~~BELOW~~ ON  
 OFFSET Q PAVEMENT 16.2' LT : ~~RT~~  
3' TO LT EDGE PAVEMENT  
 STATION: 29.94.68



HORZ. DATUM: NAD83(2011) GEOID: NAVD88 2018  
 GRID: NORTHING: 674860.421 EASTING: 1695611.933



RECORD: P.I.  
 STA. 29+94.1  
 FD IPIN  
 4/15/46, BRUBAKER  
 $\Delta = 59^\circ 46' RT$   
 FD R.R.SPIKE  
 AT SURFACE  
 4/10/73, TOMSIC  
 FD MINE SPIKE  
 ATOP BOLT BEING  
 6" BELOW.  
 SET MINE SPIKE  
 5/20/81, CRONIN  
 FD BOAT SPIKE  
 5/16/89  
 SET BOAT SPIKE  
 8/2/89, I.S.  
 FD BOAT SPIKE  
 GPS, REFA1  
 1/24/12, RJL  
 FD SM.R.R.SPIKE  
 AT SURFACE  
 ATOP 3/4" STEEL BOLT  
 0.85' BELOW  
 ATOP 3/4" BOLT  
 1.5' BELOW  
 8/13/13, SDC  
 SET MONBOX  
 W/ 3/4" BOLT  
 8/13/13, SDC  
 FD MONBOX  
 REFA1  
 9-21-18, JFO

O.D.O.T. DISTRICT 2 SURVEY OFFICE (USE ONLY)

PERSONNEL

REFERENCE NO. 1 B

SHEET 5 OF 21

NOTES ASTON

DATE 10/12/23

ROUTE SR 163

H.C. NIESE

WEATHER CLOUDY

COUNTY WOOD

R.C. ASTON

TEMP. 60°

TOWNSHIP LAKE

DWG BY ASTON

PID CHIP SEAL

SECTION 32

T 6 N R 12 E

TYPE MONUMENT MAG/WASHER

ON SURFACE - ~~BELOW~~ ON

OFFSET Q PAVEMENT 16.8' LT : ~~RT~~

3.7' LT TO LT EDGE PAVEMENT

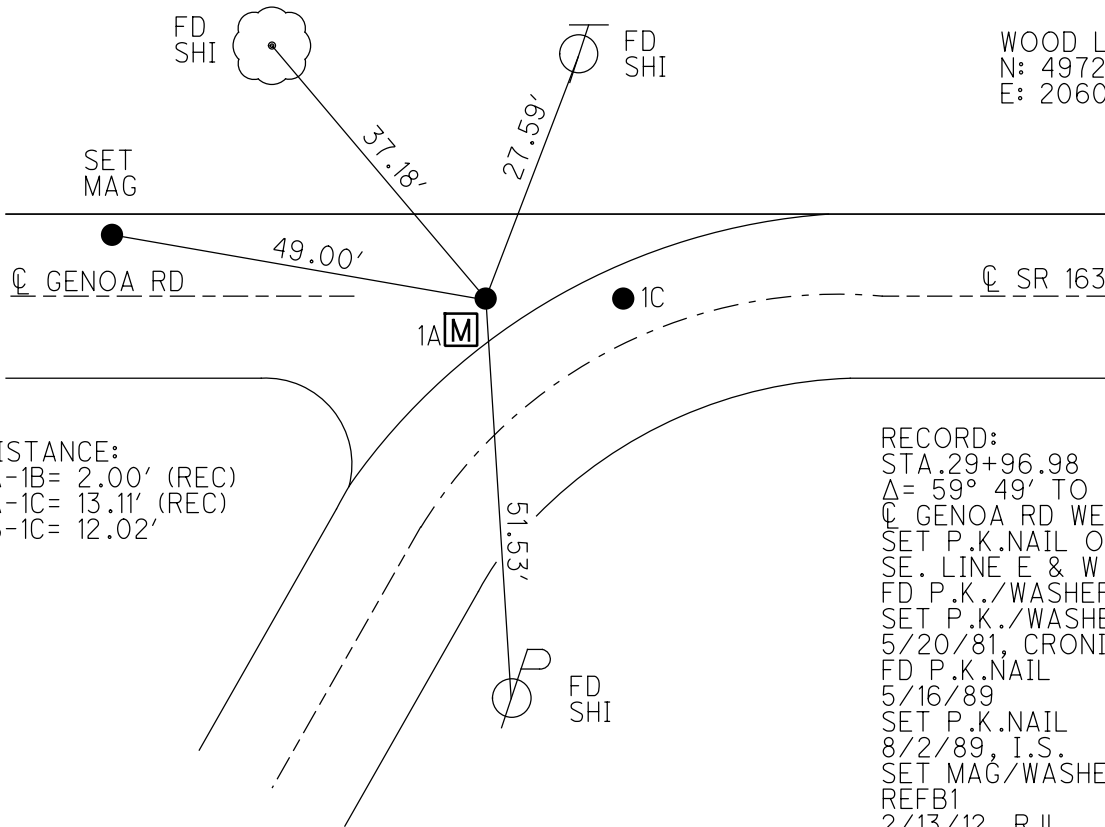
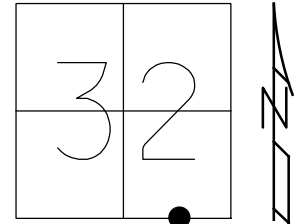
STATION: 29+96.68

HORIZ.DATUM: NAD83(2011)

GEOID: NAVD88 2018

GRID: NORTHING: 674862.240

EASTING: 1695612.906



WOOD LDP:  
N: 497273.247  
E: 206097.597

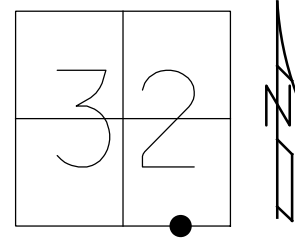
DISTANCE:  
1A-1B= 2.00' (REC)  
1A-1C= 13.11' (REC)  
1B-1C= 12.02'

RECORD:  
STA. 29+96.98  
Δ = 59° 49' TO  
Q GENOA RD WEST  
SET P.K.NAIL ON  
SE. LINE E & W  
FD P.K./WASHER  
SET P.K./WASHER  
5/20/81, CRONIN  
FD P.K.NAIL  
5/16/89  
SET P.K.NAIL  
8/2/89, I.S.  
SET MAG/WASHER  
REFB1  
2/13/12, RJL  
APPEARS TO BE  
1/8 COR, ITS ON  
SEC LINE & IS  
CLOSE TO SPLIT  
ON DISTANCE  
FD MAG/WASHER  
8/21/14, EBW  
REF1B  
6-14-23, JMR  
10-12-23, TDN

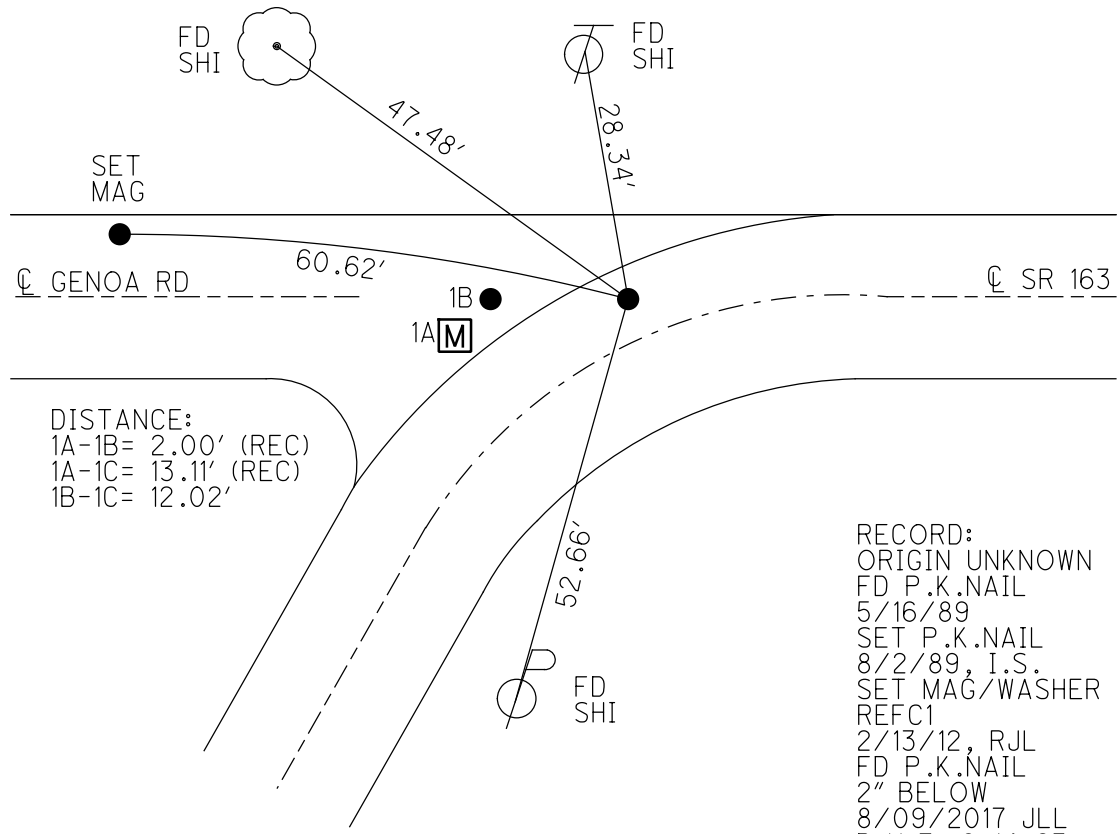
O.D.O.T. DISTRICT 2 SURVEY OFFICE (USE ONLY)

PERSONNEL \_\_\_\_\_ REFERENCE NO. 1 C SHEET 6 OF 21  
 NOTES ASTON DATE 10/12/23 ROUTE SR 163  
 H.C. NIESE WEATHER CLOUDY COUNTY WOOD  
 R.C. ASTON TEMP. 60° TOWNSHIP LAKE  
 DWG BY ASTON PID CHIP SEAL SECTION 32  
 T 7 N R 12 E

TYPE MONUMENT MAG/WASHER  
 ON SURFACE - ~~BELOW~~ ON  
 OFFSET Q PAVEMENT 8.8' LT : ~~RT~~  
3.8' TO LT EDGE PAVEMENT  
 STATION: 30+08



HORIZ.DATUM: NAD83(2011) GEOID: NAVD88 2018  
 GRID: NORTHING: 674862.114 EASTING: 1695624.792



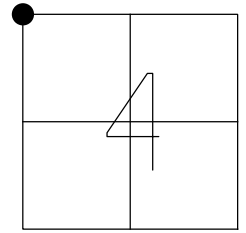
DISTANCE:  
 1A-1B= 2.00' (REC)  
 1A-1C= 13.11' (REC)  
 1B-1C= 12.02'

RECORD:  
 ORIGIN UNKNOWN  
 FD P.K.NAIL  
 5/16/89  
 SET P.K.NAIL  
 8/2/89, I.S.  
 SET MAG/WASHER  
 REFC1  
 2/13/12, RJL  
 FD P.K.NAIL  
 2" BELOW  
 8/09/2017 JLL  
 D.N.F., 6-14-23  
 SET MAG/ WASHER  
 10-12-23, TDN

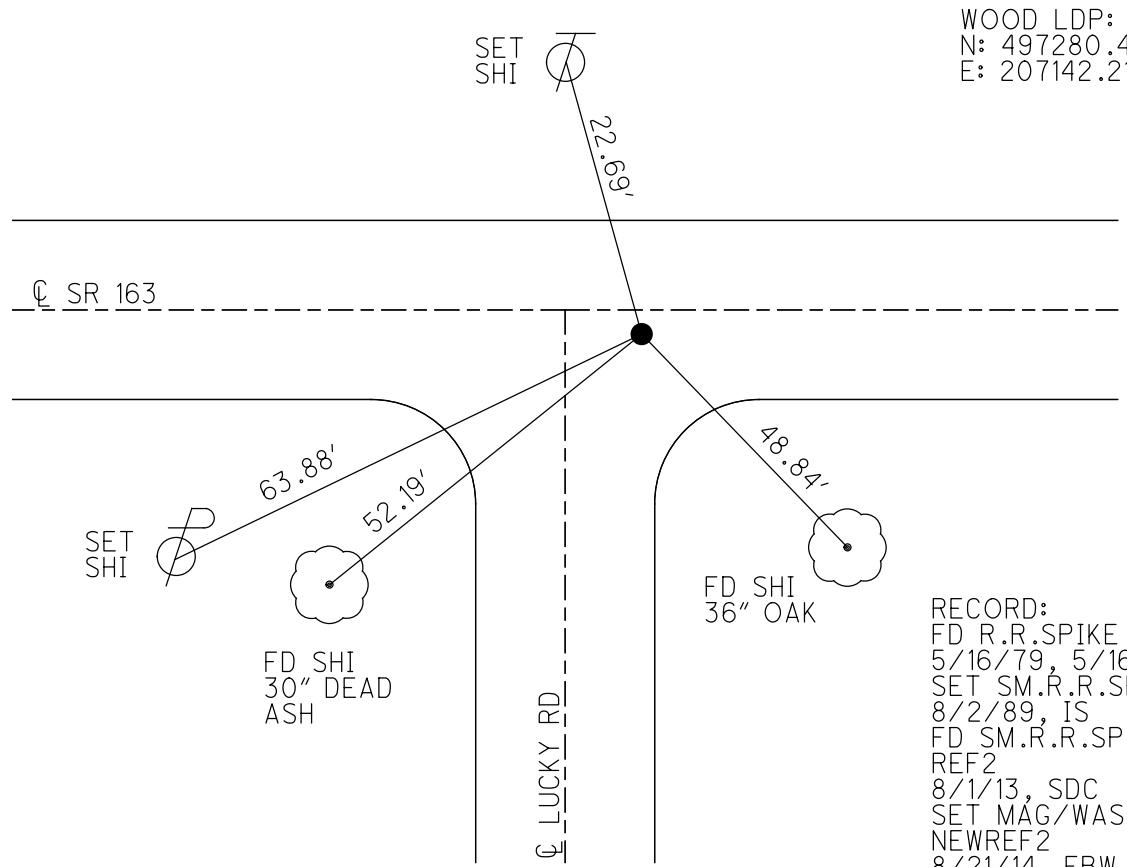
O.D.O.T. DISTRICT 2 SURVEY OFFICE (USE ONLY)

PERSONNEL \_\_\_\_\_ REFERENCE NO. 2 SHEET 7 OF 21  
 NOTES ASTON DATE 10/12/23 ROUTE SR 163  
 H.C. NIESE WEATHER CLOUDY COUNTY WOOD  
 R.C. ASTON TEMP. 60° TOWNSHIP TROY  
 SECTION 4  
 DWG BY ASTON PID CHIP SEAL T 6 N R 12 E

TYPE MONUMENT MAG/WASHER  
 ON SURFACE - ~~BELOW~~ ON \_\_\_\_\_  
 OFFSET  $\varnothing$  PAVEMENT 1.5' ~~LT~~ : RT  
 - TO - EDGE PAVEMENT  
 STATION: 40+41.29



HORIZ.DATUM: NAD83(2011) GEOID: NAVD88 2018  
 GRID: NORTHING: 674855.712 EASTING: 1696657.577



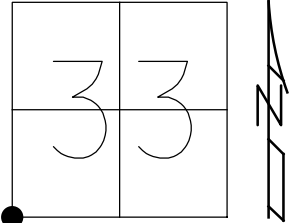
WOOD LDP:  
 N: 497280.474  
 E: 207142.215

RECORD:  
 FD R.R.SPIKE  
 5/16/79, 5/16/89  
 SET SM.R.R.SPIKE  
 8/2/89, IS  
 FD SM.R.R.SPIKE  
 REF2  
 8/1/13, SDC  
 SET MAG/WASHER  
 NEWREF2  
 8/21/14, EBW  
 FD MAG/WASHER  
 9-21-18, JFO  
 FD MAG/ WASHER  
 REF2  
 6-14-23, JMR  
 FD MAG/WASHER  
 10-12-23, TDN

O.D.O.T. DISTRICT 2 SURVEY OFFICE (USE ONLY)

PERSONNEL \_\_\_\_\_ REFERENCE NO. 3 SHEET 8 OF 21  
 NOTES ASTON DATE 10/12/23 ROUTE SR 163  
 H.C. NIESE WEATHER CLOUDY COUNTY WOOD  
 R.C. ASTON TEMP. 60° TOWNSHIP LAKE  
 \_\_\_\_\_ SECTION 33  
 DWG BY ASTON PID CHIP SEAL T 7 N R 12 E

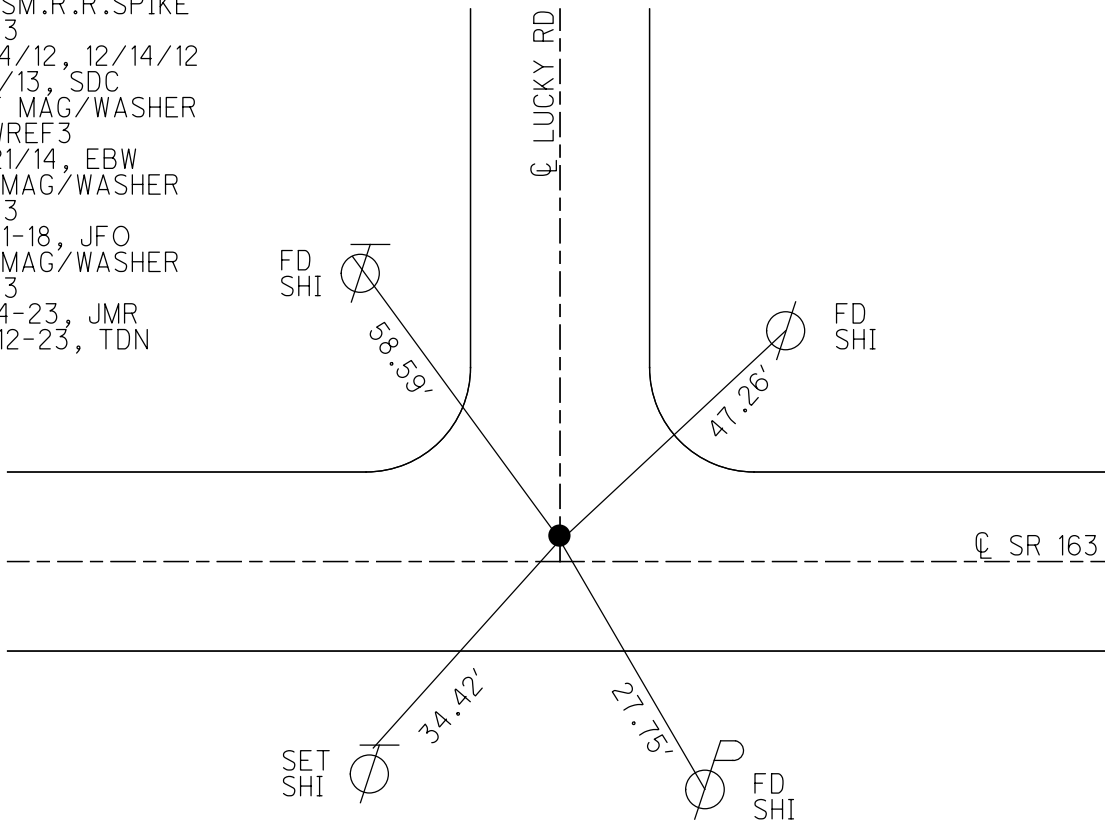
TYPE MONUMENT MAG/WASHER  
 ON SURFACE - ~~BELOW~~ ON \_\_\_\_\_  
 OFFSET  $\varnothing$  PAVEMENT ON \_\_\_\_\_ LT : RT  
 - TO - EDGE PAVEMENT  
 STATION: 43+18.52



HORZ. DATUM: NAD83(2011) GEOID: NAVD88 2018  
 GRID: NORTHING: 674854.514 EASTING: 1696934.798

RECORD:  
 FD R.R.SPIKE  
 5/16/89  
 SET SM.R.R.SPIKE  
 8/2/89, IS  
 FD SM.R.R.SPIKE  
 REF3  
 1/24/12, 12/14/12  
 8/1/13, SDC  
 SET MAG/WASHER  
 NEWREF3  
 8/21/14, EBW  
 FD MAG/WASHER  
 REF3  
 9-21-18, JFO  
 FD MAG/WASHER  
 REF3  
 6-14-23, JMR  
 10-12-23, TDN

WOOD LDP:  
 N: 497282.875  
 E: 207419.497

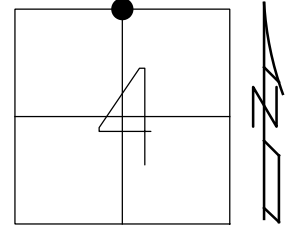




O.D.O.T. DISTRICT 2 SURVEY OFFICE (USE ONLY)

PERSONNEL \_\_\_\_\_ REFERENCE NO. 4 SHEET 9 OF 21  
 NOTES ASTON DATE 10/13/23 ROUTE SR 163  
 H.C. NIESE WEATHER CLOUDY COUNTY WOOD  
 R.C. AUBLE TEMP. 58° TOWNSHIP TROY  
 SECTION 4  
 DWG BY ASTON PID CHIP SEAL T 6 N R 12 E

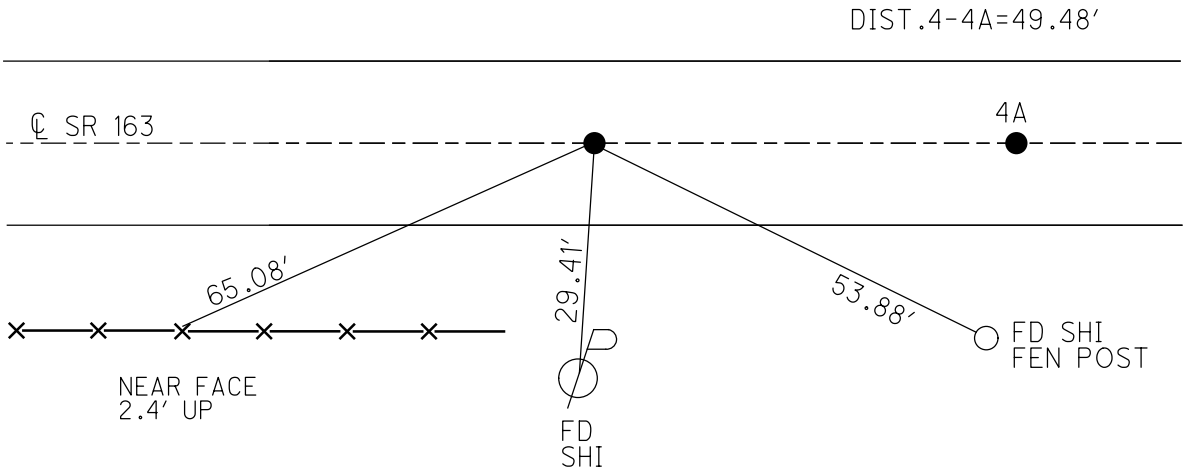
TYPE MONUMENT P.K./WASHER  
~~ON SURFACE~~ - BELOW 2 1/2"  
 OFFSET  $\varnothing$  PAVEMENT ON LT : RT  
- TO - EDGE PAVEMENT  
 STATION: 66+91.12



HORIZ.DATUM: NAD83(2011) GEOID: NAVD88 2018  
 GRID: NORTHING: 674838.698 EASTING: 1699307.349

RECORD:  
 FD P.K.NAIL  
 5/16/89  
 SET P.K.NAIL  
 8/2/89, IS  
 FD P.K.NAIL  
 REFA4  
 7/2/13, EBW  
 1/24/12, 12/14/12  
 SET MAG/WASHER  
 NEWREF4  
 8/21/14, EBW  
 FD P.K./ WASHER  
 2 1/2" DOWN  
 REF4  
 6-14-23, JMR  
 FD P.K. NAIL  
 2 1/2" DOWN  
 10-13-23, TDN

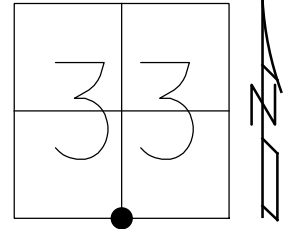
WOOD LDP:  
 N: 497298.421  
 E: 209792.152



O.D.O.T. DISTRICT 2 SURVEY OFFICE (USE ONLY)

PERSONNEL \_\_\_\_\_ REFERENCE NO. 4 A SHEET 10 OF 21  
 NOTES ASTON DATE 10/12/23 ROUTE SR 163  
 H.C. NIESE WEATHER CLOUDY COUNTY WOOD  
 R.C. ASTON TEMP. 60° TOWNSHIP LAKE  
 DWG BY ASTON PID CHIP SEAL SECTION 33  
 T 7 N R 12 E

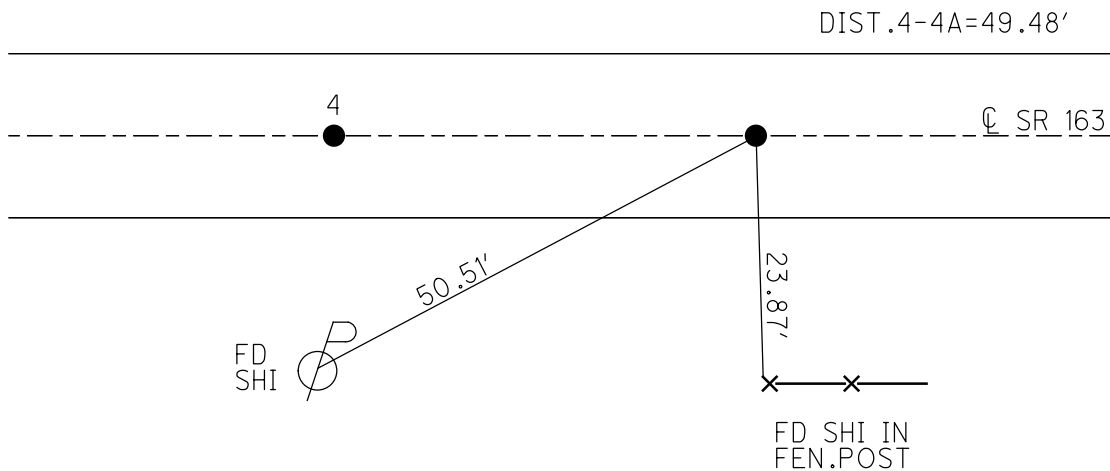
TYPE MONUMENT MAG/WASHER  
 ON SURFACE - ~~BELOW~~ ON  
 OFFSET ☉ PAVEMENT ON \_\_\_\_\_ LT : RT  
 \_\_\_\_\_ TO \_\_\_\_\_ EDGE PAVEMENT  
 STATION: 67+40.60



HORIZ.DATUM: NAD83(2011) GEOID: NAVD88 2018  
 GRID: NORTHING: 674838.552 EASTING: 1699356.813

RECORD: P.O.T.  
 FD P.K.NAIL  
 5/16/79, 5/16/89  
 SET P.K.NAIL  
 8/2/89, IS  
 FD MAG NAIL  
 REFB4  
 1/24/12, 12/14/12  
 7/2/13, EBW  
 SET MAG/WASHER  
 NEWREFA4  
 8/21/14, EBW  
 FD MAG/ WASHER  
 REF4A  
 6-14-23, JMR  
 10-12-23, TDN

WOOD LDP:  
 N: 497298.960  
 E: 209841.617



O.D.O.T. DISTRICT 2 SURVEY OFFICE (USE ONLY)

PERSONNEL

REFERENCE NO. 5

SHEET 11 OF 21

NOTES ASTON  
 H.C. NIESE  
 R.C. ASTON

DATE 10/12/23  
 WEATHER CLOUDY  
 TEMP. 60°

ROUTE SR 163  
 COUNTY WOOD  
 TOWNSHIP TROY  
 SECTION 4  
 T 6 N R 12 E

DWG BY ASTON PID CHIP SEAL

TYPE MONUMENT R.R.SPIKE

~~ON SURFACE~~ - BELOW 2 1/2"

OFFSET  $\odot$  PAVEMENT 3.5'  $\pm$  : RT

- TO - EDGE PAVEMENT

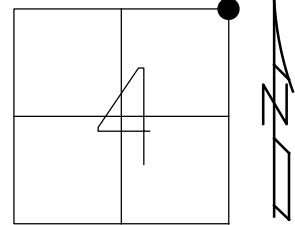
STATION: 93+90.56

HORIZ.DATUM: NAD83(2011)

GEOID: NAVD88 2018

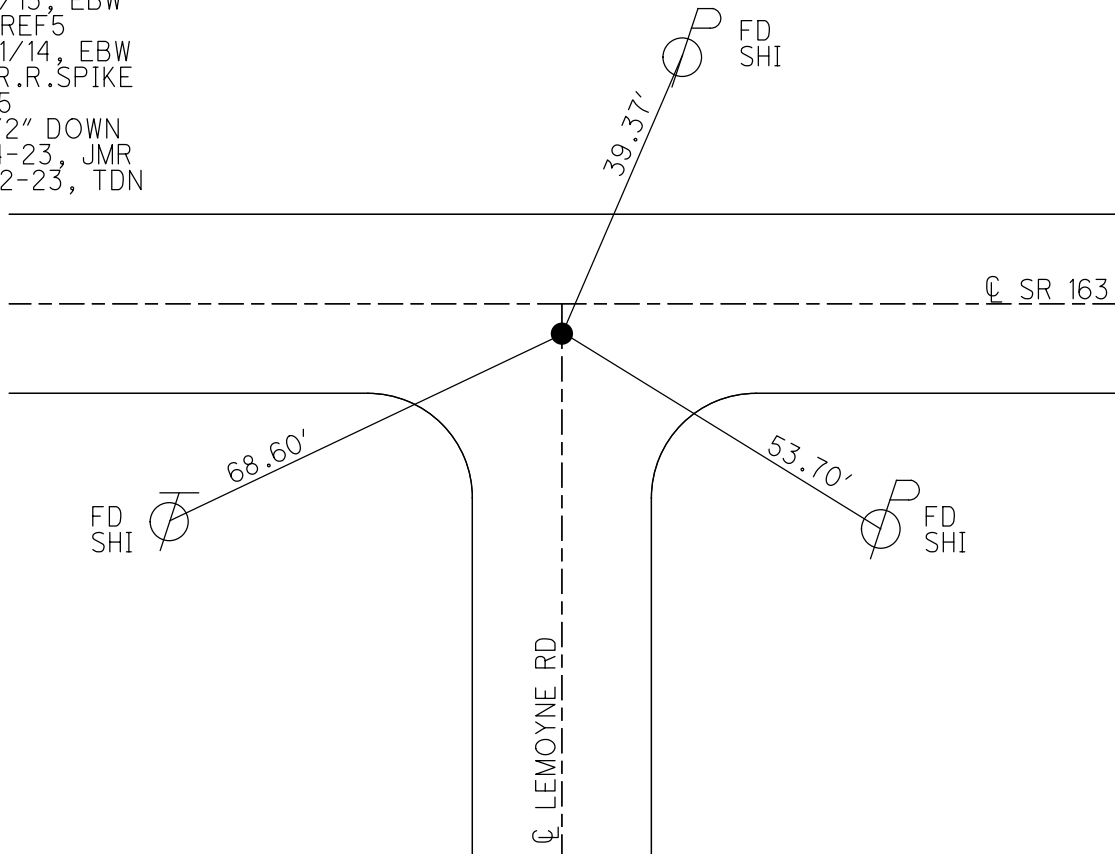
GRID: NORTHING: 674820.790

EASTING: 1702006.785



RECORD: P.I.  
 FD R.R.SPIKE  
 5/16/79, 5/16/89  
 SET SM.R.R.SPIKE  
 8/2/89, IS  
 FD SM.R.R.SPIKE  
 REF5  
 1/25/12, 12/14/12  
 7/2/13, EBW  
 NEWREF5  
 8/21/14, EBW  
 FD R.R.SPIKE  
 REF5  
 2 1/2" DOWN  
 6-14-23, JMR  
 10-12-23, TDN

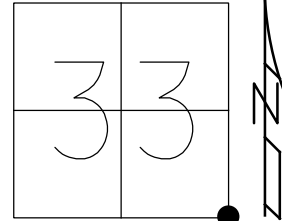
WOOD LDP:  
 N: 497316.208  
 E: 212491.761



O.D.O.T. DISTRICT 2 SURVEY OFFICE (USE ONLY)

PERSONNEL \_\_\_\_\_ REFERENCE NO. 6 SHEET 12 OF 21  
 NOTES ASTON DATE 10/12/23 ROUTE SR 163  
 H.C. NIESE WEATHER CLOUDY COUNTY WOOD  
 R.C. ASTON TEMP. 60° TOWNSHIP LAKE  
 \_\_\_\_\_ SECTION 33  
 DWG BY ASTON PID CHIP SEAL T 7 N R 12 E

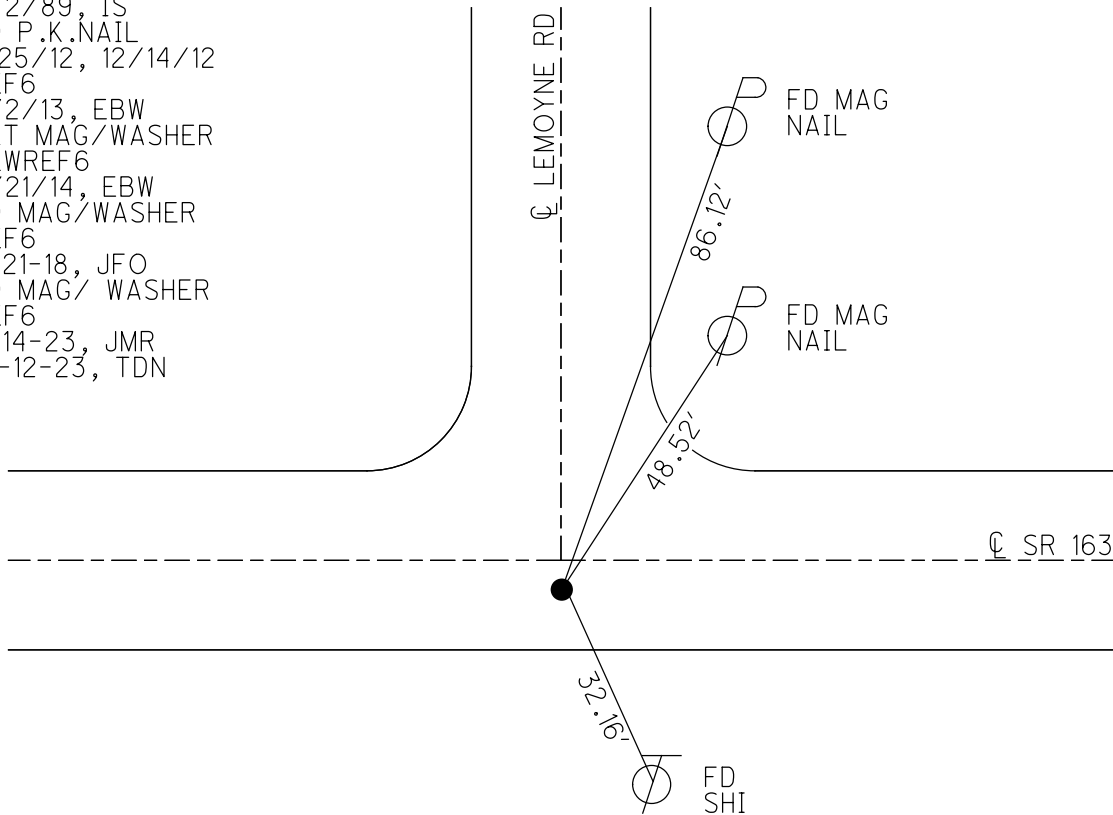
TYPE MONUMENT MAG/WASHER  
 ON SURFACE - ~~BELOW~~ ON  
 OFFSET  $\varnothing$  PAVEMENT 4.7'  $\pm$  : RT  
- TO - EDGE PAVEMENT  
 STATION: 95+81.87



HORIZ.DATUM: NAD83(2011) GEOID: NAVD88 2018  
 GRID: NORTHING: 674819.511 EASTING: 1702197.981

RECORD: P.I.  
 FD P.K.NAIL  
 5/16/89  
 SET P.K.NAIL  
 8/2/89, IS  
 FD P.K.NAIL  
 1/25/12, 12/14/12  
 REF6  
 7/2/13, EBW  
 SET MAG/WASHER  
 NEWREF6  
 8/21/14, EBW  
 FD MAG/WASHER  
 REF6  
 9-21-18, JFO  
 FD MAG/ WASHER  
 REF6  
 6-14-23, JMR  
 10-12-23, TDN

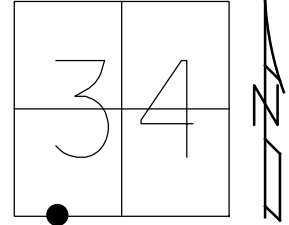
WOOD LDP:  
 N: 497317.462  
 E: 212682.992



O.D.O.T. DISTRICT 2 SURVEY OFFICE (USE ONLY)

PERSONNEL \_\_\_\_\_ REFERENCE NO. 6 A SHEET 13 OF 21  
 NOTES ASTON DATE 10/12/23 ROUTE SR 163  
 H.C. NIESE WEATHER CLOUDY COUNTY WOOD  
 R.C. ASTON TEMP. 60° TOWNSHIP LAKE  
 SECTION 34  
 DWG BY ASTON PID CHIP SEAL T 7 N R 12 E

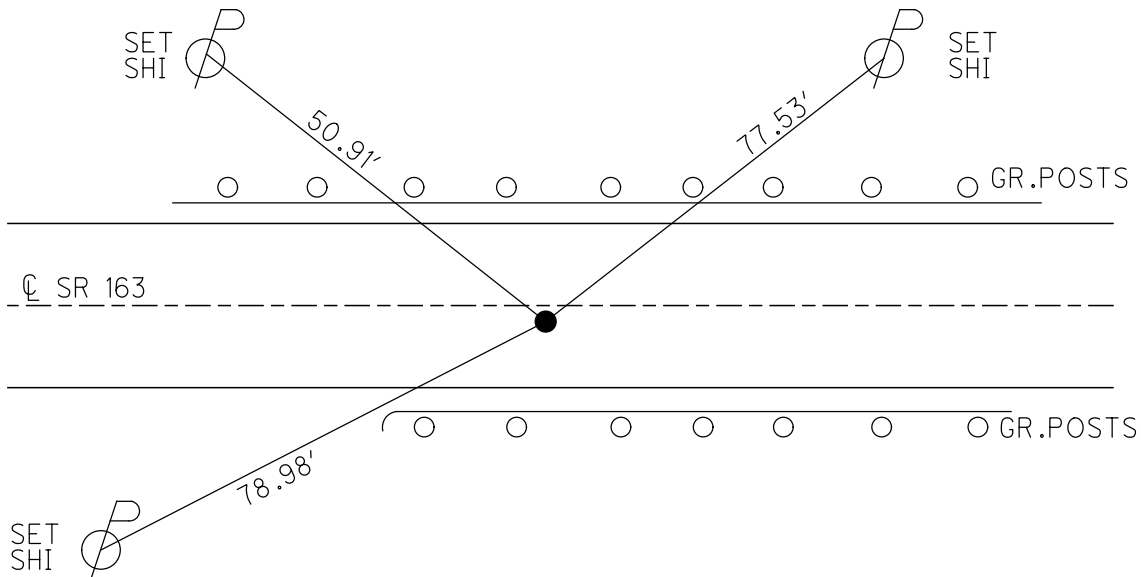
TYPE MONUMENT MAG/WASHER  
 ON SURFACE - ~~BELOW~~ ON  
 OFFSET  $\odot$  PAVEMENT ON LT : RT  
- TO - EDGE PAVEMENT  
 STATION: 107+44.5



HORIZ.DATUM: NAD83(2011) GEOID: NAVD88 2018  
 GRID: NORTHING: 674812.083 EASTING: 1703360.627

RECORD:  
 FD P.K.NAIL  
 5/17/89  
 SET P.K.NAIL  
 8/2/89, IS  
 FD P.K.NAIL  
 REFA6  
 1/25/12, RJL  
 7/2/13, EBW  
 SET MAG/WASHER  
 NEWREFA6  
 8/21/14, EBW  
 FD MAG/ WASHER  
 REF6A  
 6-14-23, JMR  
 10-12-23, TDN

WOOD LDP:  
 N: 497325.314  
 E: 213845.662



O.D.O.T. DISTRICT 2 SURVEY OFFICE (USE ONLY)

PERSONNEL

REFERENCE NO. 7

SHEET 14 OF 21

NOTES ASTON

DATE 10/12/23

ROUTE SR 163

H.C. NIESE

WEATHER CLOUDY

COUNTY WOOD

R.C. ASTON

TEMP. 60°

TOWNSHIP LAKE

SECTION 34

DWG BY ASTON

PID CHIP SEAL

T 7 N R 12 E

TYPE MONUMENT MAG/WASHER

ON SURFACE - ~~BELOW~~ ON

OFFSET Q PAVEMENT 3.8' ~~LT~~ : RT

- TO - EDGE PAVEMENT

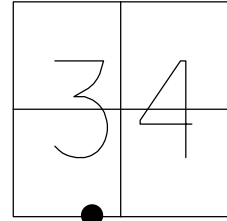
STATION: 115+37.55

HORZ.DATUM: NAD83(2011)

GEOID: NAVD88 2018

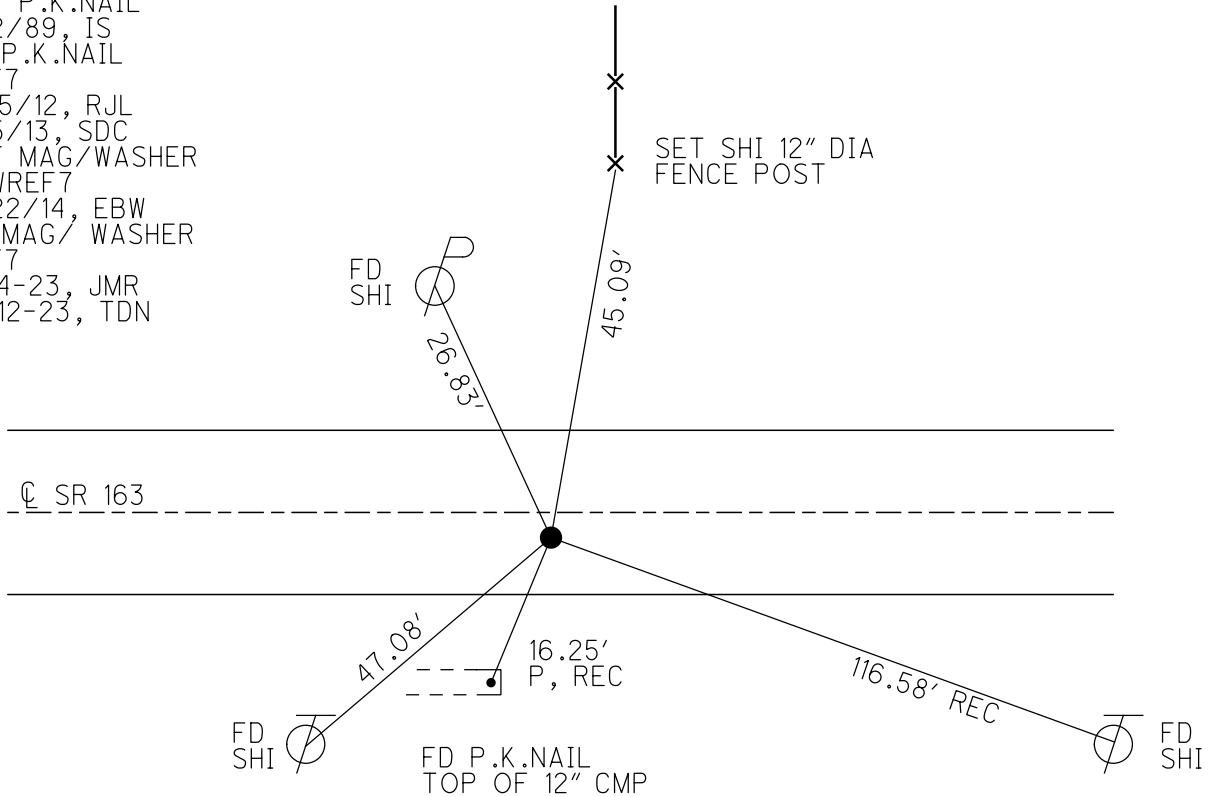
GRID: NORTHING: 674806.934

EASTING: 1704153.706



RECORD:  
 FD P.K.NAIL  
 5/16/79, 5/17/89  
 SET P.K.NAIL  
 8/2/89, IS  
 FD P.K.NAIL  
 REF7  
 1/25/12, RJL  
 8/5/13, SDC  
 SET MAG/WASHER  
 NEWREF7  
 8/22/14, EBW  
 FD MAG/ WASHER  
 REF7  
 6-14-23, JMR  
 10-12-23, TDN

WOOD LDP:  
 N: 497330.706  
 E: 214638.793



O.D.O.T. DISTRICT 2 SURVEY OFFICE (USE ONLY)

PERSONNEL

REFERENCE NO. 8

SHEET 15 OF 21

NOTES RHOADES

DATE 8/5/13

ROUTE SR 163

H.C. CODER

WEATHER FAIR

COUNTY WOOD

R.C. RHOADES

TEMP. 74°

TOWNSHIP LAKE

SECTION 34

DWG BY RHOADES

PID 25518

T 7 N R 12 E

TYPE MONUMENT MONBOX W/ 3/4" IPIN

ON SURFACE - ~~BELOW~~ ON

OFFSET  $\bar{C}$  PAVEMENT 3.8' ~~RT~~ : RT

- TO - EDGE PAVEMENT

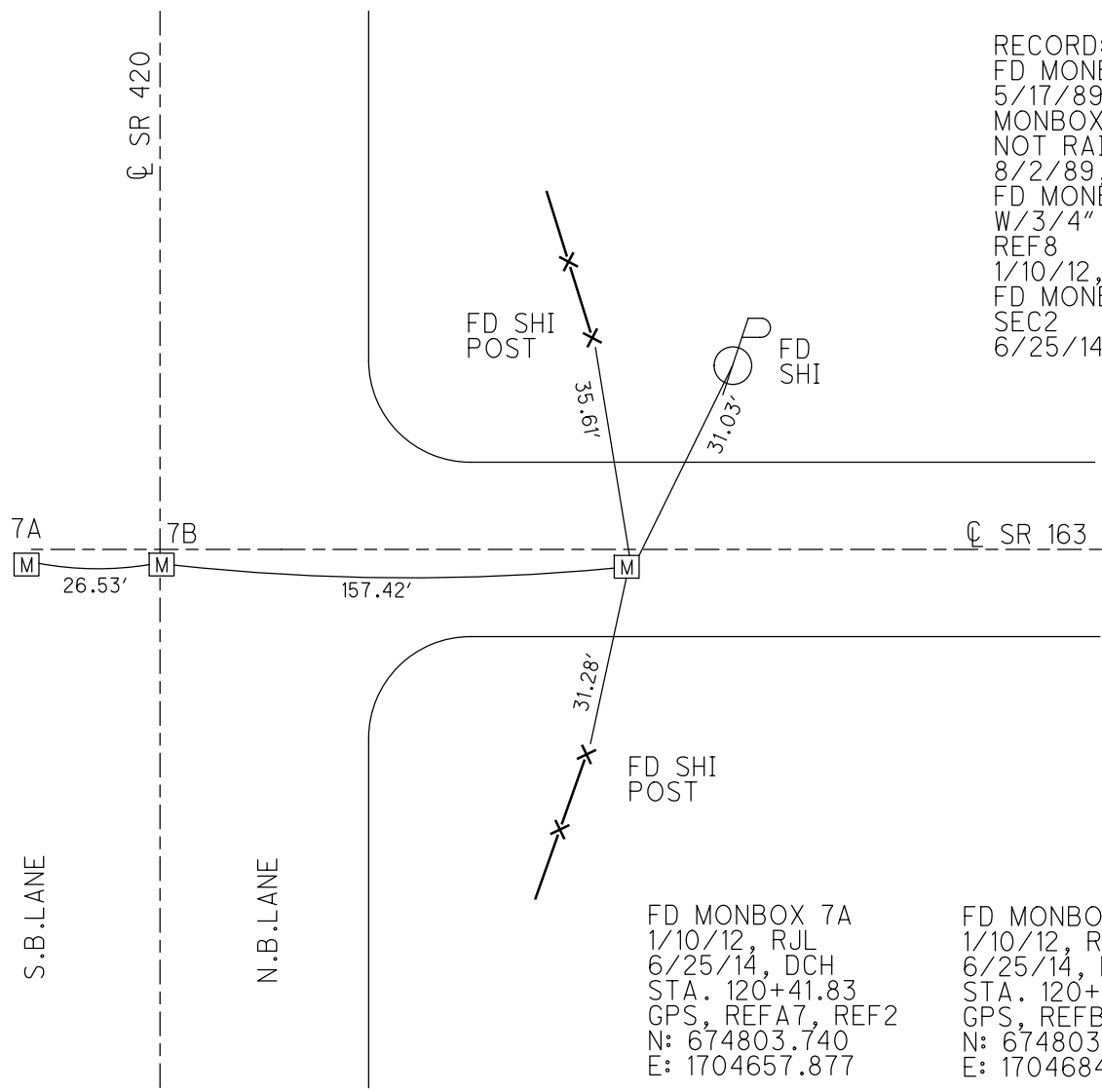
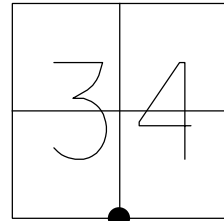
STATION: 122+25.59

HORZ.DATUM: NAD83(2011)

GEOID: NAVD88 2012A

GRID: NORTHING: 674802.643

EASTING: 1704841.659



RECORD:  
 FD MONBOX  
 5/17/89  
 MONBOX WAS  
 NOT RAISED  
 8/2/89, IS  
 FD MONBOX  
 W/3/4" IPIN  
 REF8  
 1/10/12, RJL  
 FD MONBOX  
 SEC2  
 6/25/14, DCH

FD MONBOX 7A  
 1/10/12, RJL  
 6/25/14, DCH  
 STA. 120+41.83  
 GPS, REFA7, REF2  
 N: 674803.740  
 E: 1704657.877

FD MONBOX 7B  
 1/10/12, RJL  
 6/25/14, DCH  
 STA. 120+68.17  
 GPS, REFB7, REFA2  
 N: 674803.550  
 E: 1704684.270

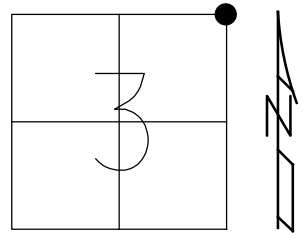
S.B.LANE

N.B.LANE

O.D.O.T. DISTRICT 2 SURVEY OFFICE (USE ONLY)

PERSONNEL \_\_\_\_\_ REFERENCE NO. 9 SHEET 16 OF 21  
 NOTES ASTON DATE 10/12/23 ROUTE SR 163  
 H.C. NIESE WEATHER CLOUDY COUNTY WOOD  
 R.C. ASTON TEMP. 60° TOWNSHIP TROY  
 \_\_\_\_\_ SECTION 3  
 DWG BY ASTON PID CHIP SEAL T 6 N R 12 E

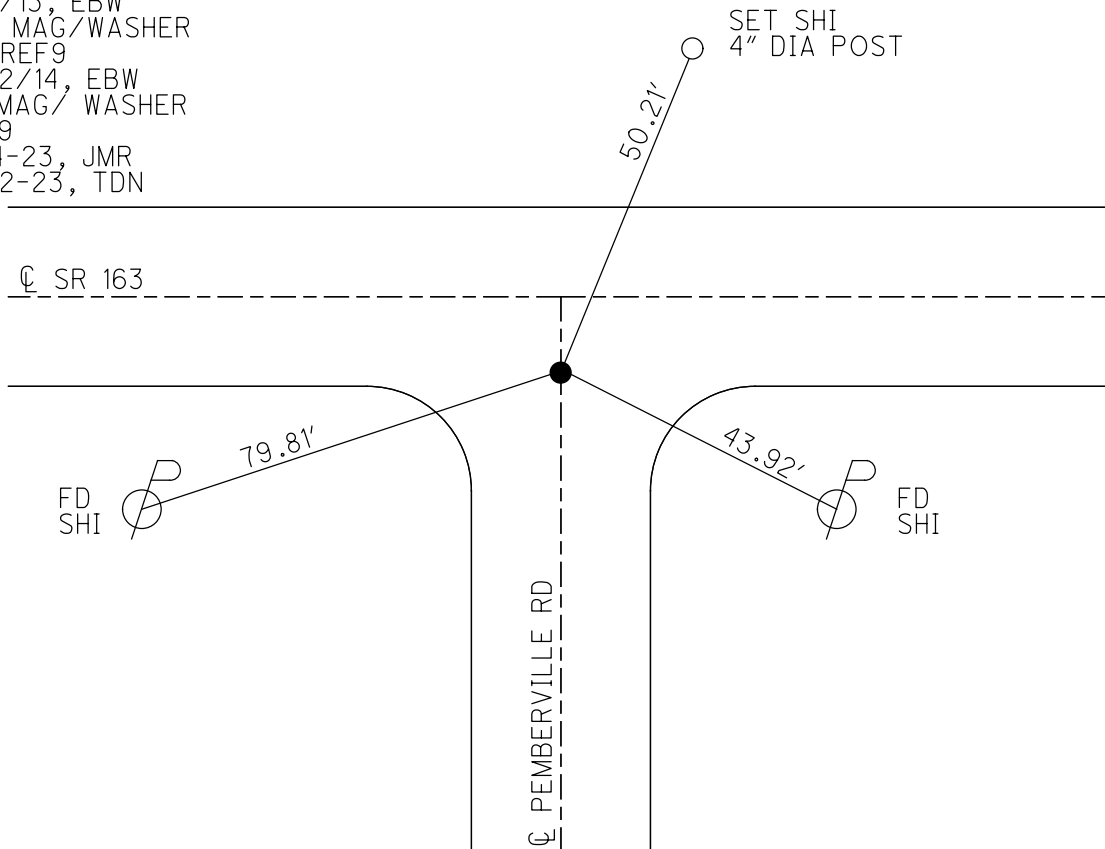
TYPE MONUMENT MAG/WASHER  
 ON SURFACE - ~~BELOW~~ ON  
 OFFSET  $\odot$  PAVEMENT 9.8' ~~±~~ : RT  
- TO - EDGE PAVEMENT  
 STATION: 146+93.51



HORZ.DATUM: NAD83(2011) GEOID: NAVD88 2018  
 GRID: NORTHING: 674774.193 EASTING: 1707309.379

RECORD:  
 FD R.R.SPIKE  
 5/17/89  
 SET SM.R.R.SPIKE  
 8/2/89, IS  
 FD SM.R.R.SPIKE  
 REF9  
 1/10/12, RJL  
 7/3/13, EBW  
 SET MAG/WASHER  
 NEWREF9  
 8/22/14, EBW  
 FD MAG/ WASHER  
 REF9  
 6-14-23, JMR  
 10-12-23, TDN

WOOD LDP:  
 N: 496191.081  
 E: 205479.089





O.D.O.T. DISTRICT 2 SURVEY OFFICE (USE ONLY)

PERSONNEL

REFERENCE NO. 9 A

SHEET 17 OF 21

NOTES RHOADES

DATE 8/22/14

ROUTE SR 163

H.C. WESTFALL

WEATHER CLOUDY

COUNTY WOOD

R.C. RHOADES

TEMP. 78°

TOWNSHIP LAKE

DWG BY RHOADES PID 25518

SECTION 35

T 7 N R 12 E

TYPE MONUMENT 5/8" IPIN

ON SURFACE - ~~BELOW~~ 1.5'

OFFSET  $\odot$  PAVEMENT 12.7' ~~RT~~ : RT

2.6' RT TO RT EDGE PAVEMENT

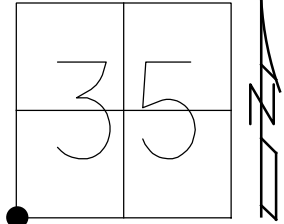
STATION: 148+57.87

HORIZ.DATUM: NAD83(2011)

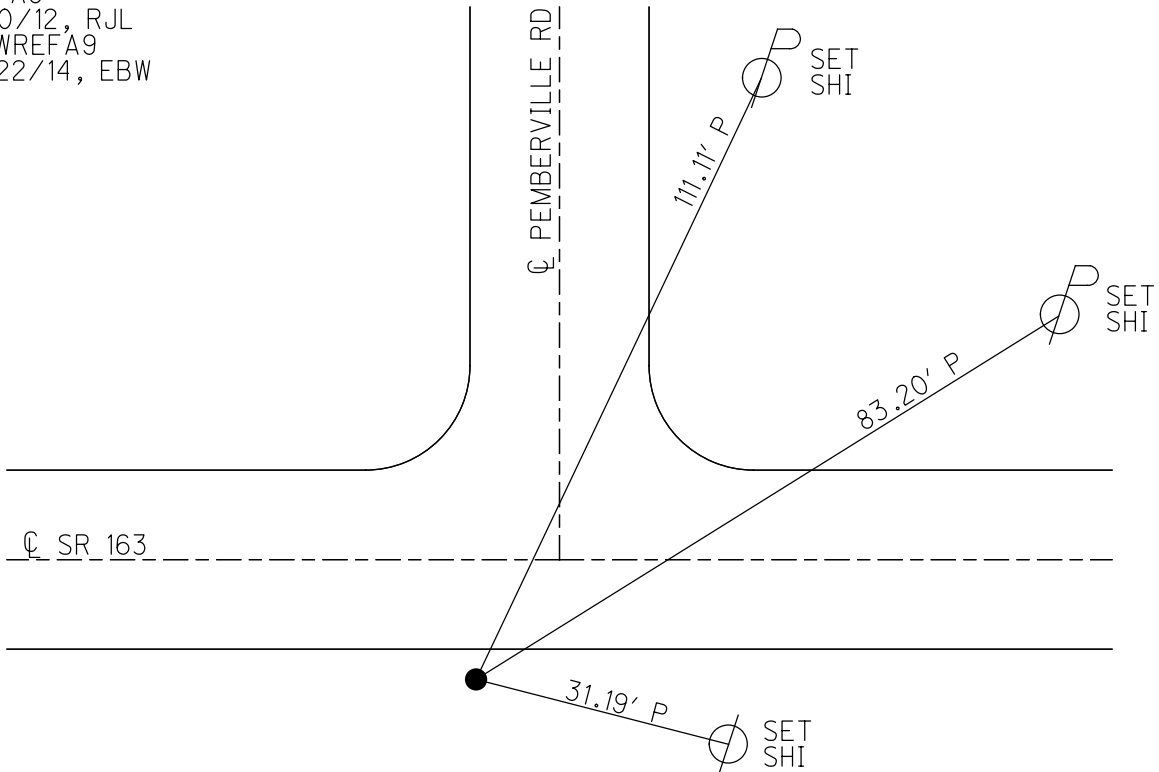
GEOID: NAVD88 2012A

GRID: NORTHING: 674772.590

EASTING: 1707473.732



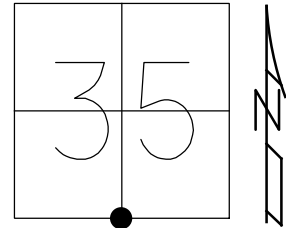
RECORD:  
FD IPIN  
1.4' DOWN  
REFA9  
1/10/12, RJL  
NEWREFA9  
8/22/14, EBW



O.D.O.T. DISTRICT 2 SURVEY OFFICE (USE ONLY)

PERSONNEL \_\_\_\_\_ REFERENCE NO. 10 SHEET 18 OF 21  
 NOTES ASTON DATE 10/12/23 ROUTE SR 163  
 H.C. NIESE WEATHER CLOUDY COUNTY WOOD  
 R.C. ASTON TEMP. 60° TOWNSHIP LAKE  
 SECTION 35  
 DWG BY ASTON PID CHIP SEAL T 7 N R 12 E

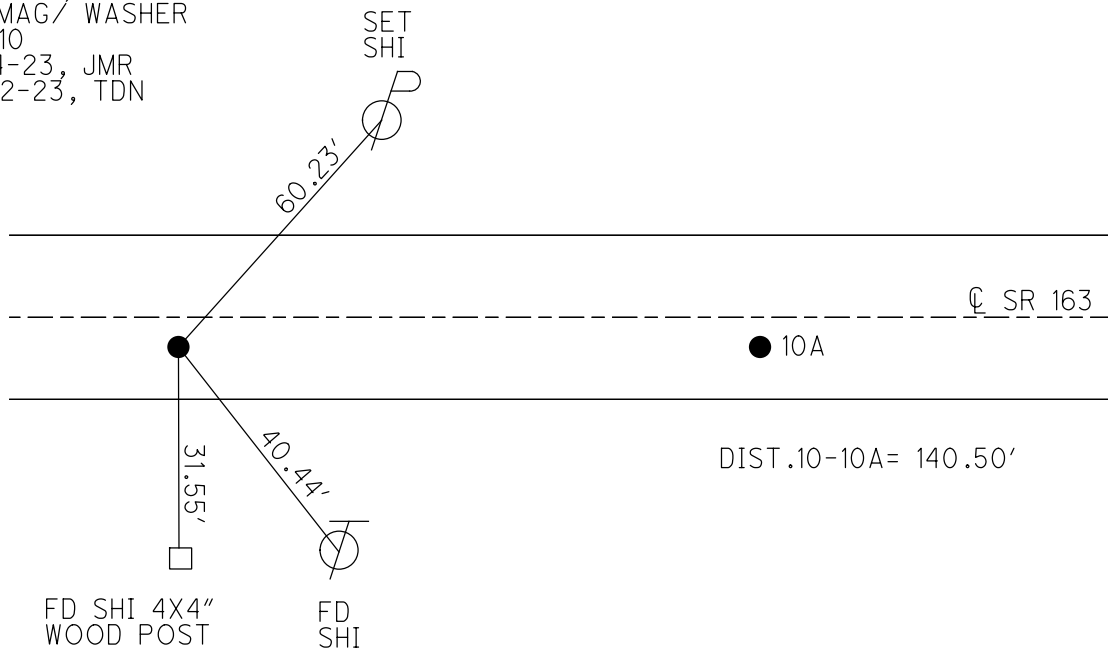
TYPE MONUMENT MAG/WASHER  
 ON SURFACE - ~~BELOW~~ ON  
 OFFSET Q PAVEMENT 4.4' ~~LT~~ : RT  
- TO - EDGE PAVEMENT  
 STATION: 173+59.57



HORIZ.DATUM: NAD83(2011) GEOID: NAVD88 2018  
 GRID: NORTHING: 674746.505 EASTING: 1709975.283

RECORD:  
 FD BOAT SPIKE  
 5/17/89  
 SET SM.R.R.SPIKE  
 8/2/89, IS  
 FD SM.R.R.SPIKE  
 REFA10  
 1/10/12, RJL  
 8/5/13, SDC  
 SET MAG/WASHER  
 NEWREFA10  
 8/22/14, EBW  
 FD MAG/WASHER  
 REF10  
 6-14-23, JMR  
 10-12-23, TDN

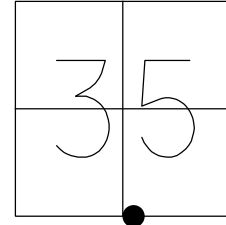
WOOD LDP:  
 N: 497347.072  
 E: 220461.063



O.D.O.T. DISTRICT 2 SURVEY OFFICE (USE ONLY)

PERSONNEL \_\_\_\_\_ REFERENCE NO. 10 A SHEET 19 OF 21  
 NOTES ASTON DATE 10/12/23 ROUTE SR 163  
 H.C. NIESE WEATHER CLOUDY COUNTY WOOD  
 R.C. ASTON TEMP. 60° TOWNSHIP LAKE  
 DWG BY ASTON PID CHIP SEAL SECTION 35  
 T 7 N R 12 E

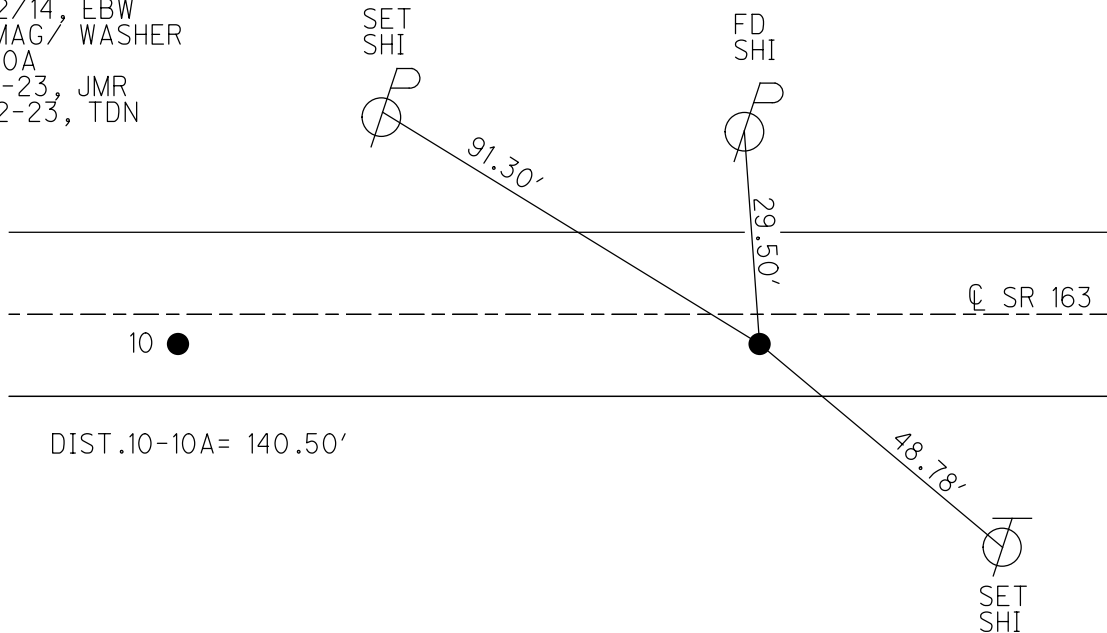
TYPE MONUMENT MAG/WASHER  
 ON SURFACE - ~~BELOW~~ ON  
 OFFSET  $\varnothing$  PAVEMENT 3.8' ~~LT~~ : RT  
- TO - EDGE PAVEMENT  
 STATION: 175+00.13



HORIZ.DATUM: NAD83(2011) GEOID: NAVD88 2018  
 GRID: NORTHING: 674745.071 EASTING: 1710115.875

RECORD:  
 FD BOAT SPIKE  
 5/17/89  
 SET SM.R.R.SPIKE  
 8/2/89, IS  
 FD SM.R.R.SPIKE  
 REFD10  
 1/10/12, RJL  
 8/5/13, SDC  
 SET MAG/WASHER  
 NEWREFD10  
 8/22/14, EBW  
 FD MAG/ WASHER  
 REF10A  
 6-14-23, JMR  
 10-12-23, TDN

WOOD LDP:  
 N: 497347.487  
 E: 220601.695



O.D.O.T. DISTRICT 2 SURVEY OFFICE (USE ONLY)

PERSONNEL

REFERENCE NO. 11

SHEET 20 OF 21

NOTES ASTON

DATE 10/12/23

ROUTE SR 163

H.C. NIESE

WEATHER CLOUDY

COUNTY WOOD

R.C. ASTON

TEMP. 60°

TOWNSHIP LAKE

SECTION 36

DWG BY ASTON PID CHIP SEAL

T 7 N R 12 E

TYPE MONUMENT MAG/WASHER

ON SURFACE - ~~BELOW~~ ON

OFFSET  $\text{C}$  PAVEMENT ON LT : RT

- TO - EDGE PAVEMENT

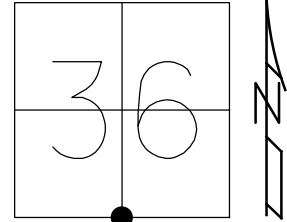
STATION: 229+10.08

HORIZ.DATUM: NAD83(2011)

GEOID: NAVD88 2018

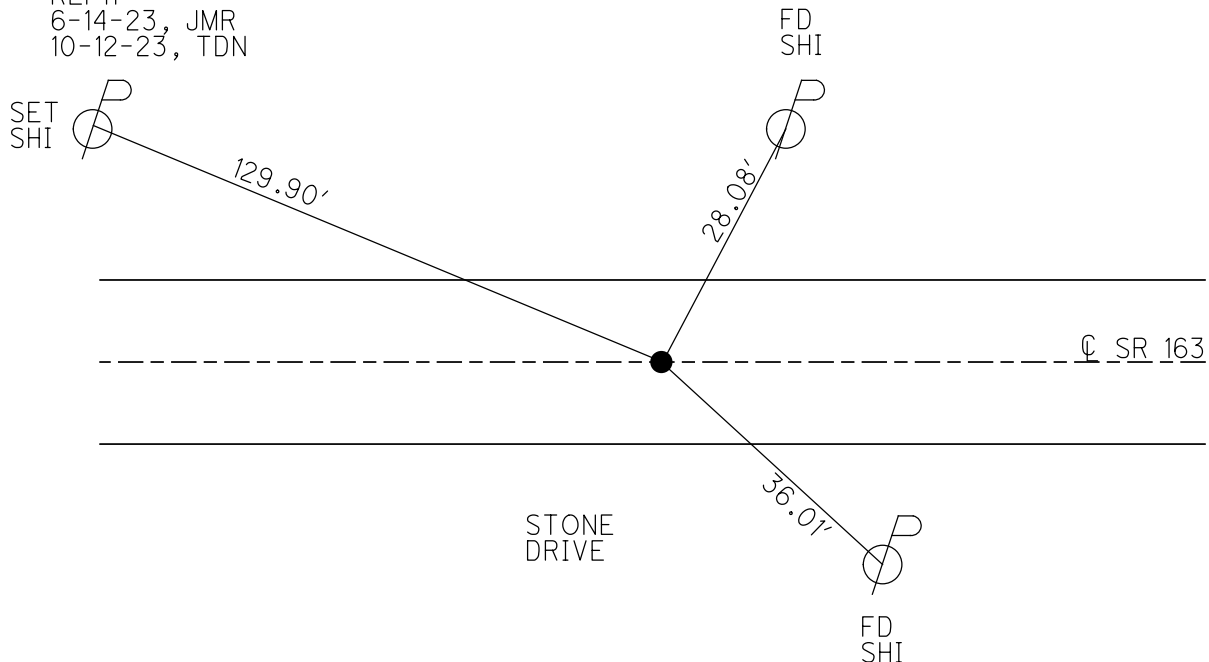
GRID: NORTHING: 674721.497

EASTING: 1715367.328



RECORD:  
 FD BOAT SPIKE  
 2" DEEP, 5/17/89  
 SET SM.R.R.SPIKE  
 8/2/89, IS  
 FD SM.R.R.SPIKE  
 REF11  
 1/25/12, 12/14/12  
 7/3/13, EBW  
 SET MAG/WASHER  
 NEWREF11  
 8/22/14, EBW  
 FD MAG/WASHER  
 REF11  
 6-14-23, JMR  
 10-12-23, TDN

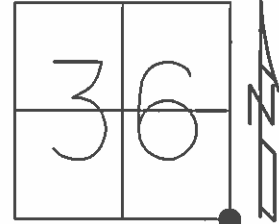
WOOD LDP:  
 N: 497393.309  
 E: 225853.374



O.D.O.T. DISTRICT 2 SURVEY OFFICE (USE ONLY)

PERSONNEL \_\_\_\_\_ REFERENCE NO. 12 SHEET 21 OF 21  
 NOTES ROUSOS DATE 7/3/13 ROUTE SR 163  
 H.C. WESTFALL WEATHER SUNNY COUNTY WOOD  
 R.C. ROUSOS TEMP. 80° TOWNSHIP LAKE  
 \_\_\_\_\_ SECTION 36  
 \_\_\_\_\_ T 7 N R 12 E

TYPE MONUMENT P.K.NAIL  
 ON SURFACE - ~~BELOW~~ ON  
 LEFT - ☉ PAV'T - ~~RIGHT~~ 3.6'  
 \_\_\_\_\_ TO \_\_\_\_\_ EDGE PAVEMENT  
 S.L.M. 255+76.8



Grid: Northing: 674719.203 Easting: 1718034.044

RECORD:  
 FD P.K.NAIL  
 4/11/73, 10/28/91  
 FD P.K.NAIL  
 GPS, REF12  
 1/10/12, 12/14/12  
 P.K.NAIL NOT  
 DISTURBED  
 8/22/14, EBW

